

This Owner's Manual is provided and hosted by [Appliance Factory Parts](#).



# FISHER PRICE C2390 Owner's Manual

[Shop genuine replacement parts for FISHER PRICE  
C2390](#)



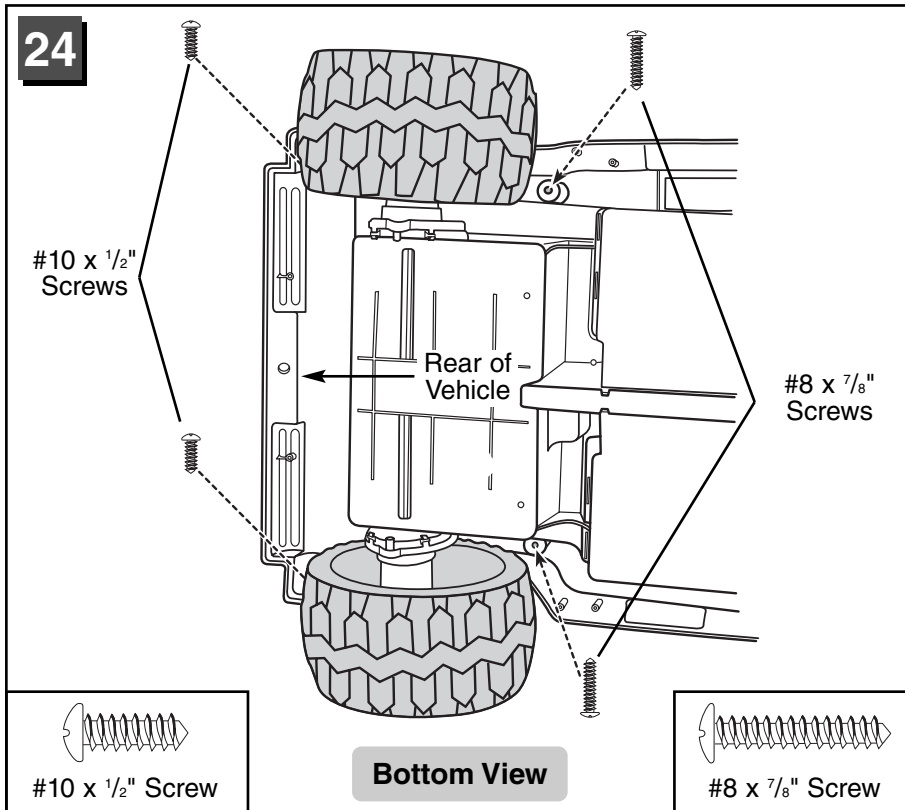
[Find Your FISHER PRICE Ride On Parts - Select From 999 Models](#)

----- Manual continues below -----



# We've Made a Change!

Your vehicle now includes two #8 x 7/8" screws to fasten the sport bar. Please use these instructions for Assembly Step 24.



- Turn the vehicle on its side.
- Insert two #10 x 1/2" screws into the holes (**behind the rear wheels**) in the underside of each rear wheel well, through the vehicle body and into the ends of the sport bar. Tighten the screws with a Phillips screwdriver. Do not over-tighten.
- Next, insert the two, new #8 x 7/8" screws into the holes (**in front of the rear wheels**) in the underside of each wheel well, through the vehicle body and into the end of the sport bar. Tighten the screws with a Phillips screwdriver. Do not over-tighten.

Fisher-Price, Power Wheels, and Power Wheels by Fisher-Price, Power Lock and Power Stick are U.S. trademarks of Mattel, Inc.

©2003 Mattel, Inc. All Rights Reserved. © and ™ are registered trademarks of Mattel Inc.

Fisher-Price, Inc., a subsidiary of Mattel, Inc., East Aurora, New York 14052 U.S.A.