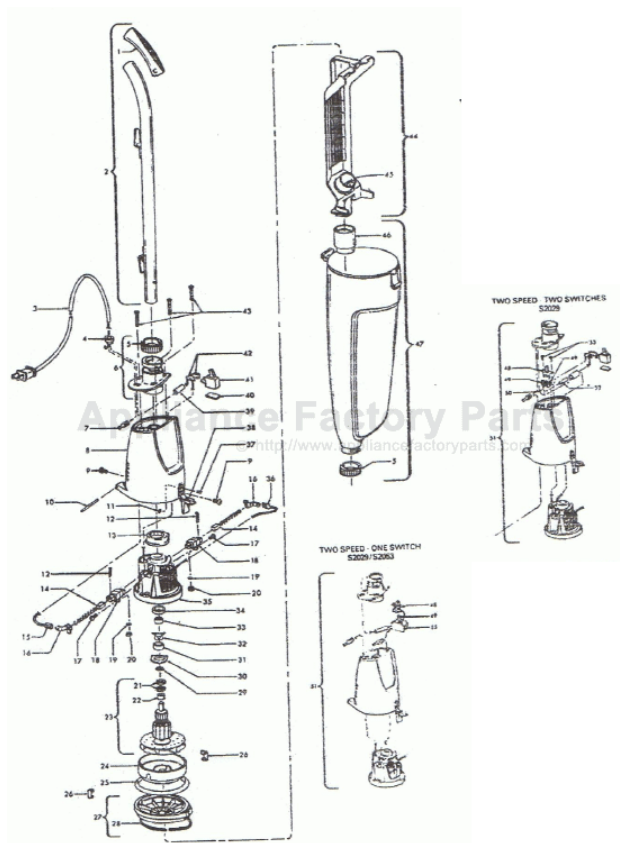


This Owner's Manual is provided and hosted by [Appliance Factory Parts](http://www.ApplianceFactoryParts.com).



# HOOVER S2047 Owner's Manual

[Shop genuine replacement parts for HOOVER S2047](#)

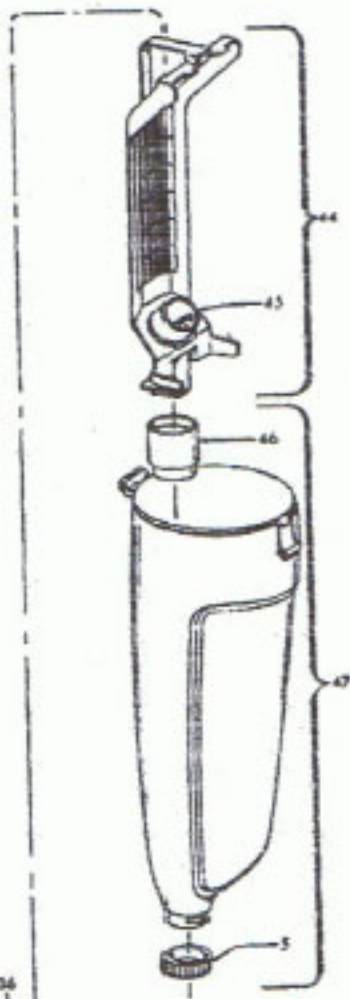
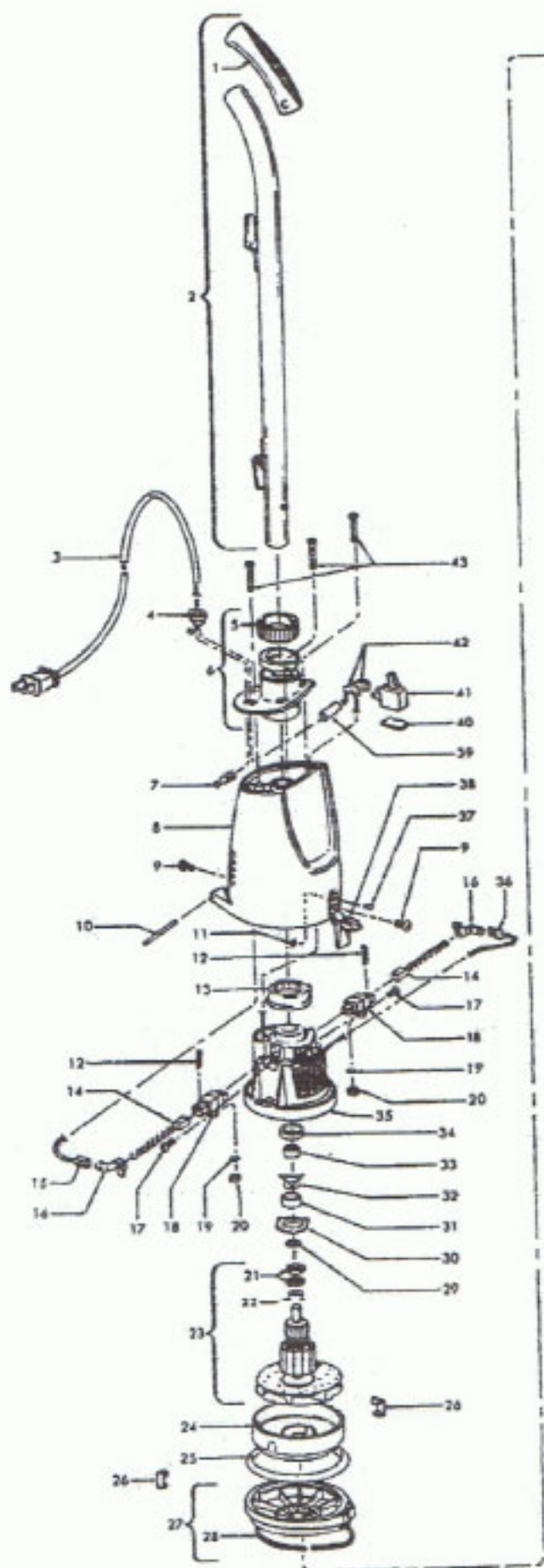


[Find Your HOOVER Vacuum Cleaner Parts - Select From 1456 Models](#)

----- Manual continues below -----

# Quik-Broom with Cassette

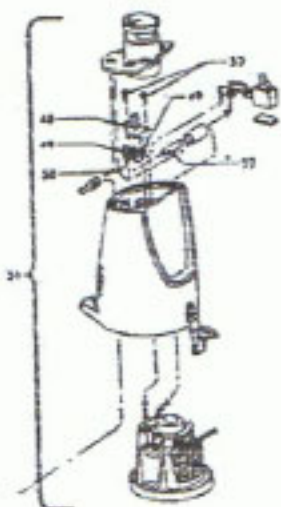
Models S2029, S2031, S2033, S2047, S2053, S2053-032, S2053-042, S2053-942, S2055



ONE SPEED SLIDE SWITCH  
LATE S2047 & S2055



TWO SPEED TWO SWITCHES  
S2029



TWO SPEED - ONE SWITCH  
S2029/S2053



MODEL S2053-032, S2053-042, S2053-942  
W/THERMAL PROTECTOR



**Quik-Broom with Cassette**

**Models S2029, S2031, S2033, S2047, S2053,  
S2053-032, S2053-042, S2053-942, S2055**

| Ref. | Part Description | No. | No.   | Ref. | Part Description | No. | No.  |
|------|------------------|-----|---|------|------------------|-----|--|
| 1    | 12230JM          | +   | Handle Grip   | 21   | 15278            | *   | Fiber Washer (2)   |
|      | 12230JJ          | +   | Handle Grip   | 22   | 49344            | +   | Insulator  |
| 2    | 48848026         | +   | Handle - JZ - S2031   | 23   | 44731003         |     | Armature & Fan Assm.   |
|      | 48843084         |     | Handle - JM - S2029, S2033, S2047   | 24   | 163441           |     | Fan Housing Bearing Assm.  |
|      | 48846033         | +   | Handle - JJ - S2053, S2053-032, S2053-042, S2053-942  | 25   | 15315            | +   | Motor Gasket   |
|      | 48846037         | +   | Handle - JJ - S2055   | 26   | 163416           |     | Clip (2)   |
| 3    | 16275JM          | +   | Attach. Cord - S2055, S2047, S2033, S2031 & S2029 - 2 Speed/2 Switches  | 27   | 19586AG          | +   | Bulkhead   |
|      | 46383068         |     | Attach. Cord - S2053, S2053-032, S2053-042, S2053-942 & S2029 (2 Speed/1 Switch)  | 28   | 15330            | +   | Bag Housing Gasket   |
|      | 163768           |     | Strain Relief   | 29   | 21312719         | +   | Washer   |
| 4    | 36153009         |     | Latch Ring (2)  | 30   | 15850            | +   | Bearing Retainer Support   |
| 5    | 42227066         |     | Closure Plate/Latch Ring - S2029 - 2 Speed - 2 Switches   | 31   | 12012            | +   | Absorbent Washer   |
| 6    | 42227090         |     | Closure Plate/Latch Ring - S2053, S2053-032, S2053-042, S2053-942 & S2029 (2 Speed/1 Switch)                                      | 32   | 15851            | +   | Bearing Retainer   |
|      | 42227070         | +   | Closure Plate/Latch Ring - S2031, S2033, S2047, S2055's Equipped w/ toggle switch   | 33   | 24117209         | +   | Motor Bearing  |
|      | 42227098         |     | Closure Plate/Latch Ring - Model S2047's & S2055's equipped w/Slide Switch  | 34   | 15295            | *   | Felt Washer  |
| 7    | 12227            |     | Insulated Terminal  | 35   | 45312022         | +   | Motor Case & Field Assm. - 2 Speed (Incl. Item 18) - S2029 - 2 Speed/2 Switches  |
| 8    | 42221071         | +   | Motor Housing Assm. - JZ - S2031  |      | 45312033         | +   | Motor Case & Field Assm. - 2 Speed (Incl. Item 18) - S2053, S2053-032, S2053-042, S2053-942 & S2029 (2 Speed/1 Switch)               |
|      | 42221072         |     | Motor Housing Assm. - SW - S2033, S2047   |      | 45312021         |     | Motor Case & Field Assm. - 1 Speed - Toggle Switch (Incl. Item 18) - S2033, S2031  |
|      | 42222024         | +   | Motor Housing Assm. - JZ - S2053  |      | 45312054         | +   | Motor Case & Field Assm. - 1 Speed - Toggle Switch - (Incl. Item 18) - S2047, S2055  |
|      | 42221073         | +   | Motor Housing Assm. - FN - S2055 S2909, S2053-032, S2053-042, S2053-942   |      | 45312055         |     | Motor Case & Field Assm. - 1 Speed - Model S2047's & S2055's equipped w/Slide Switch   |
| 9    | 12954            | *   | Screw - Self Tapping (2)  | 36   | 160532           | +   | Terminal (Use w/15894 Retainer)  |
| 10   | 31514001         |     | Hinge Pin   |      | 161876           | +   | Terminal - Flag (Use w/161749 Motor Brush Holder) - S2053, S2053-032, S2053-042, S2053-942 & S2029 (2 Speed/1 Switch) - S2047, S2055 |
| 11   | 161549           | +   | Washer  | 37   | 16195            | +   | Rivet  |
| 12   | 49435            | *   | Cotter Pin (2) (Use w/15275AG Motor Brush Holder)   | 38   | 23715105         |     | Latch  |
| 13   | 15316            | +   | Motor Mount   |      | 15331AY          |     | Latch - S2053-032, S2053-042, S2053-942  |
| 14   | 17353            |     | Motor Brush - Spring (2)  | 39   | 31722007         | +   | Insulator  |
|      | 47311004         |     | Motor Brush & Spring (2) - S2053, S2053-032, S2053-042, S2053-942 & S2029 (2 Speed/1 Switch), S2047, S2055                        | 40   | 15317            | +   | Switch Pad - Toggle Switch S2031, S2033, S2029 - 2 Speed/2 Switches & Early S2047's/S2055's  |
| 15   | 160356           | *   | Terminal (Use w/15894 Retainer)   | 41   | 12971            |     | Switch - (Toggle) - S2029 - 2 Speed/2 Switches, S2031, S2033 & Early S2047's/S2055's   |
|      | 161876           | +   | Terminal - Flag (Use w/161749 Motor Brush Holder) S2053, S2053-032, S2053-042, S2053-942 & S2029 (2 Speed/1 Switch), S2047, S2055 | 42   | 161350           | +   | Terminal (2) - Toggle Switch - S2055, S2047, S2033, S2031 & S2029 - 2 Speed/2 Switches   |
| 16   | 15894            | +   | Retainer (Use w/15275AG Motor Brush Holder)   | 43   | 15738EF          | +   | Screw - Self Tapping (3)   |
| 17   | 162911           | +   | Screw (2)   | 44   | 43615001         |     | Cassette Assm.   |
| 18   | 15275AG          | +   | Motor Brush Holder (2)  |      | 15327            | +   | Bag Support - Short - S2053, S2053-032, S2053-042, S2053-942   |
|      | 161749AG         | +   | Motor Brush Holder (2) S2053, S2053-032, S2053-042, S2053-942 & S2029 (2 Speed/1 Switch), S2047, S2055                            | 45   | 43523001         | +   | Adapter Tube & Valve - NA. - S2053   |
| 19   | 21312759         | +   | Washer (2)  | 46   | 32352001         |     | Cassette Gasket  |
| 20   | 162910           | +   | Nut (2)   |      | 17295            | +   | Bag Sealing Collar - S2053, S2053-032, S2053-042, S2053-942  |
|      |                  |     |   |      | 15311JM          | +   | Bag Gasket - S2053, S2053-032, S2053-042, S2053-942  |

**Quik-Broom with Cassette**

**Models S2029, S2031, S2033, S2047, S2053,  
S2053-032, S2053-042, S2053-942, S2055**

| Ref. | Part Description     | No.  | No. |
|------|----------------------|--|-----|
| 47   | 42223101<br>42223112 | Bag Housing Assm. - JZ - S2031<br>Bag Housing Assm. - MX - S2033,<br>S2047, S2029  |     |
|      | 42223057             | + Bag Housing Assm. - MX - S2053,<br>S2053-032, S2053-042, S2053-942   |     |
| 48   | 42223105<br>163052   | Bag Housing Assm. - FN - S2055<br>+ Hi-Lo Switch - S2029 - 2 Speed/2<br>Switches   |     |
|      | 47517014             | Hi-Lo - Off Switch - S2053, S2053-032,<br>S2053-042, S2053-942 & S2029<br>(2 Speed/1 Switch)   |     |
| 49   | 163054               | Terminal (2) - S2029 - 2 Speed/2<br>Switches   |     |
|      | 27666702             | Terminal - S2029 (2 Speed/ 1 Switch) -<br>S2053, S2053-032, S2053-042,<br>S2053-942 & S2047's/S2055's<br>equipped w/Slide Switch       |     |
| 50   | 27666702             | * Terminal (1) - S2029 - 2 Speed/2<br>Switches   |     |
| 51   |                      | Parts & Wiring on S2029 - 2 Speed/2<br>Switches & S2053, S2053-032,<br>S2053-042, S2053-942 & S2029 (2<br>Speed/ 1 Switch)             |     |
| 52   | 47831001             | Diode - S2029 - 2 Speed/2 Switches   |     |
| 53   | 160386AW             | + Screw - Self Tapping (2 Req. S2029<br>- 2 Speed/2 Switches   |     |
| 54   | 4010002E<br>4010008G | Throw Away Bag - 3 - Pack<br>Throw Away Bag - 3 - Pack - Short -<br>S2053, S2053-032, S2053-042,<br>S2053-942                          |     |
| 55   | 37922002             | Terminal Shield - S2029 2 Speed/1<br>Switch) - S2053, S2053-032, S2053-<br>042, S2053-942 & S2047's/S2055's<br>equipped w/Slide Switch |     |

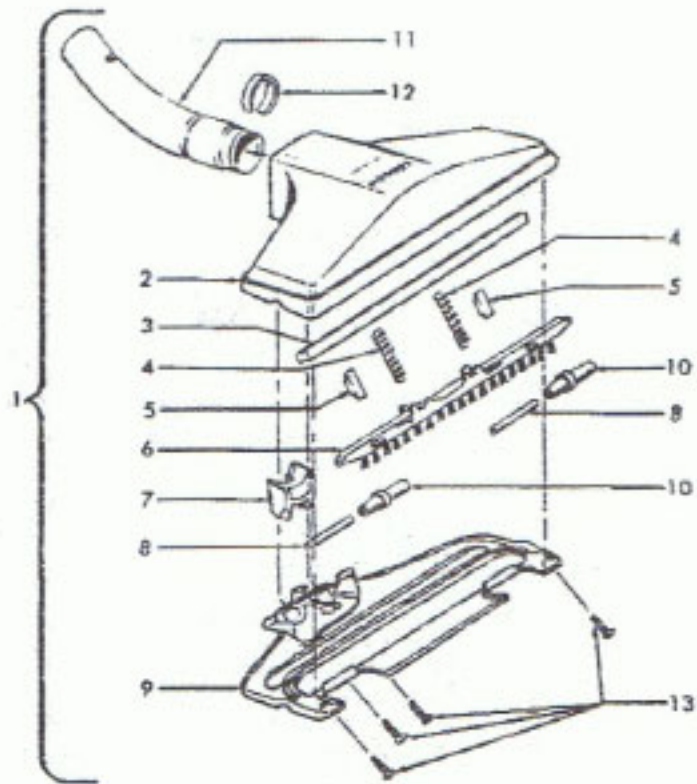
| Ref. | Part Description | No.   | No. |
|------|------------------|---|-----|
| 56   | 28177005         | + Switch (Slide) - Late Model S2047 's &<br>S2055 's  |     |
| 57   | 28382028         | Thermal Protector - S2053-032,<br>S2053-042, S2053-942  |     |
|      | 43576021         | + Motor Assm. Comp. - 2 Speed -<br>S2029 (2 Speed/1 Switch & 2 Speed/<br>2 Switches), S2053, S2053-032,<br>S2053-042, S2053-942 |     |
|      | 43576019         | + Motor Assm. Comp. - 1 Speed -<br>Toggle Switch - S2031, S2033 &<br>Early - S2047 's, S2055 's                                 |     |
|      | 43576051         | Motor Assm. Comp. - 1 Speed - Slide<br>Switch - Late Model S2047 's &<br>S2055 's   |     |

**PACKAGING MATERIAL**

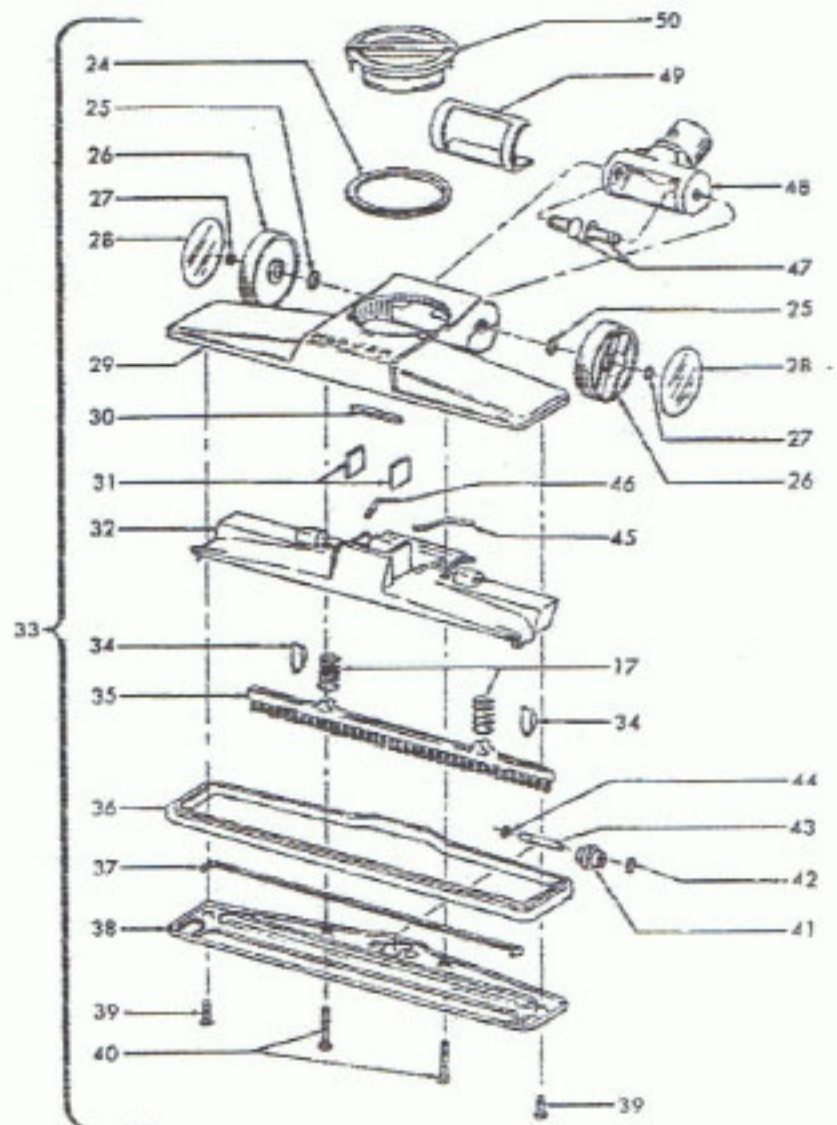
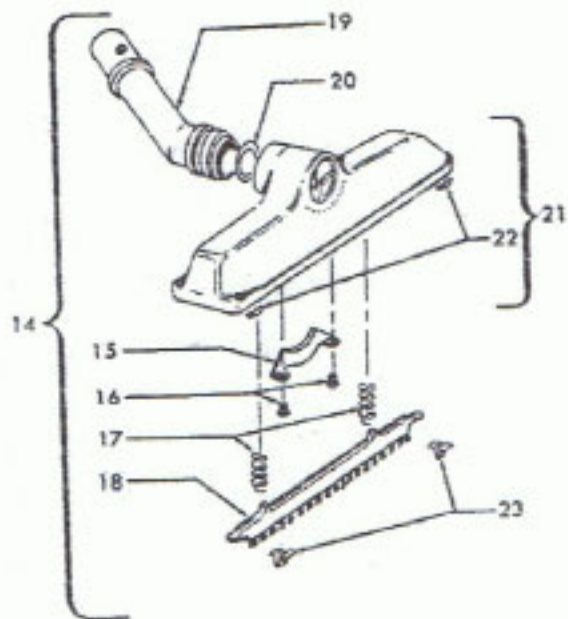
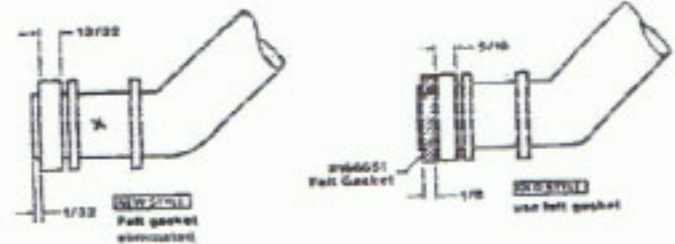
|          |  |
|----------|--|
| 164319   | + Carton - Common  |
| 58365002 | Support - S2029, S2053, S2055                              |
| 58315005 | + Support - S2033, S2031                                   |
| 58364011 | + Support - S2047  |
| 58124059 | + Carton - S2053-032                                       |
| 58134031 | + Carton - S2053-042, S2053-942                            |
| 56512059 | + Owner Manual - S2053, S2053-032,<br>S2053-042, S2053-942 |

# Rug & Floor Nozzle

Models 2910, S2005, S2007, S1021, S1021-030, S2013, S2015, S2029, S2031, S2033, S2047, S2053, S2053-032, S2053-042, S2053-942, S2055, S2057, S2085



"NOTE"  
ITEM 19



# Rug & Floor Nozzle

**Models 2910, S2005, S2007, S1021, S1021-030, S2013, S2015, S2029, S2031, S2033, S2047, S2053, S2053-032, S2053-042, S2053-942, S2055, S2057, S2085**

| Ref. | Part Description | No. | No.  | Ref. | Part Description | No. | No.  |
|------|------------------|-----|--|------|------------------|-----|--|
| 1    | 43414101         | +   | Rug & Floor Nozzle Comp. - AAP - S2031   | 29   | 38615101         |     | Rug & Floor Nozzle - S2029, S2053, S2055                       |
| 2    | 38615156         |     | Nozzle - JM - S2031  |      | 169260FN         | +   | Rug & Floor Nozzle   |
| 3    | 16214            | +   | Gasket - S2031   |      | 38615164         |     | Rug & Floor Nozzle - S2053-042, S2053-942                      |
| 4    | 15963FW          | +   | Spring (2) - S2031   | 30   | 34112001         | *   | Seal - Foam - S2029, S2053, S2053-042, S2053-942, S2055        |
| 5    | 13261AY          | *   | Rug Nozzle Rib Shoe (2) - S2031  | 31   | 34223002         | +   | Seal - Felt (2) - S2029, S2053, S2053-042, S2053-942, S2055    |
| 6    | 16184            |     | Brush Back Assm. - S2031   | 32   | 169250AG         | +   | Brush Housing - S2029, S2053, S2053-042, S2053-942, S2055      |
| 7    | 161413           | +   | Nozzle Tube Retainer - S2031   | 33   | 43414101         | +   | Rug & Floor Nozzle Comp. - AAP - S2029, S2053                  |
| 8    | 13272            | +   | Roller Shaft (2) - S2031   |      | 48476053         | +   | Rug & Floor Nozzle Comp. - JZ                                  |
| 9    | 42248002         | +   | Bottom Plate - Edge Cleaning - S2031   |      | 48476054         | +   | Rug & Floor Nozzle Comp. - FN S2055                            |
| 10   | 13157AG          |     | Roller (2) - S2031   |      | 48476091         | +   | Rug & Floor Nozzle Comp. - MX - S2053-042, S2053-942           |
| 11   | 43463012         | +   | Nozzle Connector Tube - JM - S2031   | 34   | 169253AY         | +   | Rib Shoe (2) - S2029, S2053, S2053-042, S2053-942, S2055       |
| 12   | 13267            | +   | Gasket - S2031   | 35   | 169256           |     | Brush Back Comp. - S2029, S2053, S2053-042, S2053-942, S2055   |
| 13   | 12955            | *   | Screw - Self Tapping (4) - S2031   | 36   | 169247JM         | +   | Furniture Guard - Litter Picker                                |
| 14   | 0M114169         |     | Rug & Floor Nozzle Comp. - ABE - 2910, S2005, S2007, S1021, S1021-030, S2013, S2015, S2033, S2047, S2053-032, S2057, S2085 | 37   | 169247AG         | +   | Furniture Guard - Litter Picker                                |
| 15   | 166650AY         | +   | Connector Tube Clamp - 2910, S2005, S2007, S1021, S1021-030, S2013, S2015, S2033, S2047, S2053-032, S2057, S2085           | 38   | 169251           | +   | Gasket - S2029, S2053, S2053-042, S2053-942, S2055             |
| 16   | 166648AW         | +   | Screw - Self Tapping (2) - 2910, S2005, S2007, S1021, S1021-030, S2013, S2015, S2033, S2047, S2053-032, S2057, S2085       | 39   | 169538           | +   | Bottom Plate Assm. - S2029, S2053, S2053-042, S2053-942, S2055 |
| 17   | 166649FW         |     | Spring (2) - 2019, S2005, S2007, S1021, S1021-030, S2013, S2015, S2029, S2033, S2047, S2053-032, S2057, S2085              | 40   | 21481464         | +   | Screw (2) - S2029, S2053, S2053-042, S2053-942, S2055          |
| 18   | 166656           |     | Brush Block - 2910, S2005, S2007, S1021, S1021-030, S2013, S2015, S2033, S2047, S2053-032, S2057, S2085                    | 41   | 21481465         | +   | Screw (2) - S2029, S2053, S2053-042, S2053-942, S2055          |
| 19   | 166652JM         |     | Nozzle Tube - 2910, S2005, S2007, S1021, S1021-030, S2013, S2015, S2033, S2047, S2057 (See Note)                           | 42   | 169243AG         |     | Roller - S2029, S2053, S2053-042, S2053-942, S2055             |
| 20   | 166651           |     | Gasket - Felt - 2910, S2005, S2007, S1021, S1021-030, S2013, S2015, S2033, S2047, S2057                                    | 43   | 21312758         | +   | Washer - S2029, S2053, S2053-042, S2053-942, S2055             |
| 21   | 43482057         | +   | Nozzle, Lock, Pad Assm. - 2910, S2005, S2007, S1021, S1021-030, S2013, S2015, S2033, S2047, S2053-032, S2057, S2085        | 44   | 169244AW         |     | Roller Shaft - S2029, S2053, S2053-042, S2053-942, S2055       |
| 22   | 34121001         |     | Pad - Felt (2) - 2910, S2005, S2007, S1021, S1021-030, S2013, S2015, S2033, S2047, S2053-032, S2057, S2085                 | 45   | 24735081         | *   | Lock Ring - S2029, S2053, S2053-042, S2053-942, S2055          |
| 23   | 166646           |     | Brush Retainer Clips (2) - 2910, S2005, S2007, S1021, S1021-030, S2013, S2015, S2033, S2053-032, S2047, S2085              | 46   | 34513001         |     | Seal - Foam L.H. - S2029, S2053, S2053-042, S2053-942, S2055   |
| 24   | 34113001         | +   | Seal-Foam - S2029, S2053, S2055  | 47   | 34513002         |     | Seal - Foam R.H. - S2029, S2053, S2053-042, S2053-942, S2055   |
| 25   | 169241AW         | *   | Washer (2) - S2029, S2053, S2053-042, S2053-942, S2055   | 48   | 169240AY         | +   | Wheel Shaft (2) - S2029, S2053, S2053-042, S2053-942, S2055    |
| 26   | 169239JR         | +   | Wheel (2) - S2029  | 49   | 169249JM         | +   | Connecting Tube Assm. - S2029, S2053-042, S2053-942, S2055     |
| 27   | 13730            | *   | Lock Ring (2) - S2029, S2053, S2053-042, S2053-942, S2055  | 50   | 43486002         | +   | Connecting Tube Assm. - S2053                                  |
| 28   | 169242           |     | Wheel Cover (2) - S2029, S2053, S2053-042, S2053-942, S2055  |      | 34122006         |     | Seal - S2029, S2053, S2053-042, S2053-942, S2055               |
|      |                  |     |  |      | 43271042         | +   | Suction Control Knob - JX - S2055                              |
|      |                  |     |  |      | 169254JM         | +   | Suction Control Knob - S2029, S2053, S2053-042, S2053-942      |