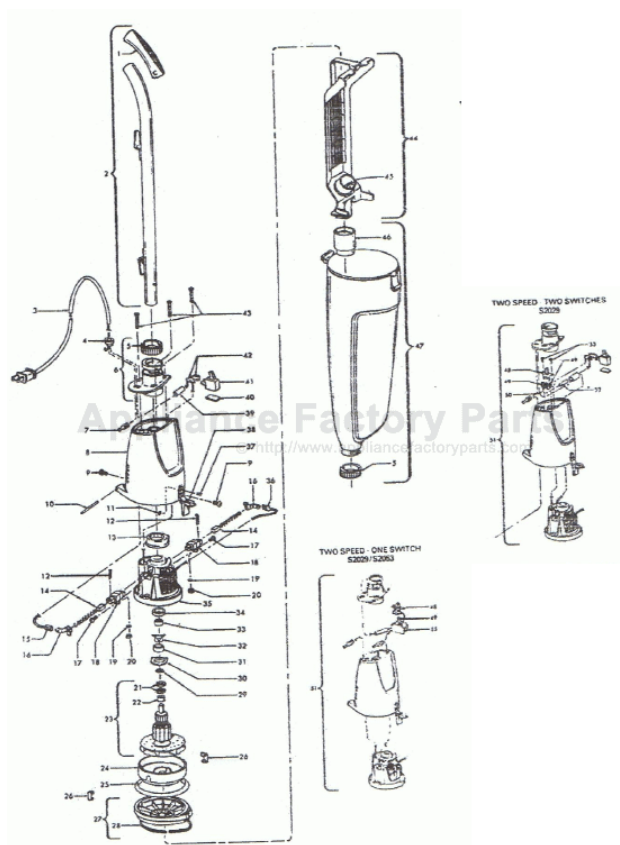


This Owner's Manual is provided and hosted by Appliance Factory Parts.



HOOVER S2053-042 Owner's Manual

[Shop genuine replacement parts for HOOVER
S2053-042](#)

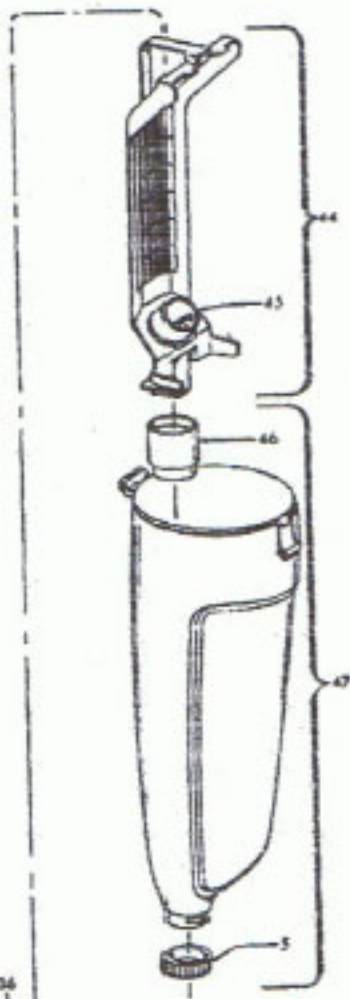
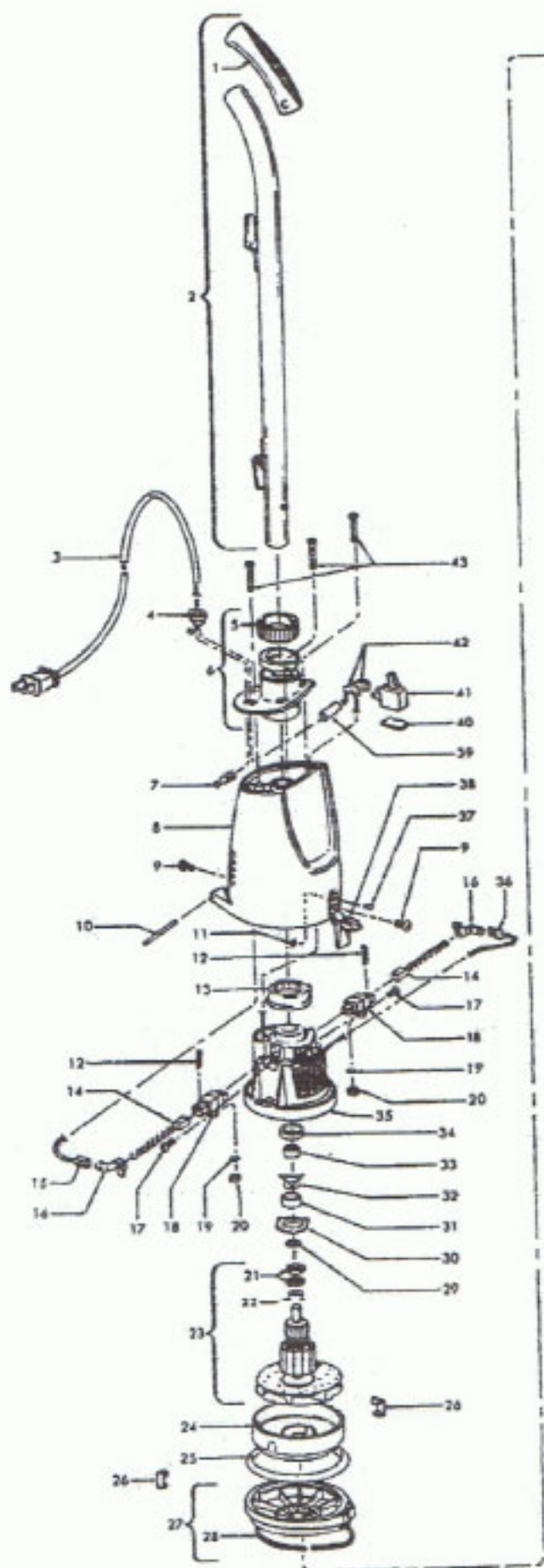


[Find Your HOOVER Vacuum Cleaner Parts - Select From 1456 Models](#)

----- Manual continues below -----

Quik-Broom with Cassette

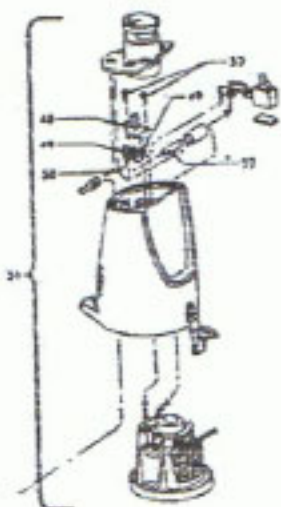
Models S2029, S2031, S2033, S2047, S2053, S2053-032, S2053-042, S2053-942, S2055



ONE SPEED SLIDE SWITCH
LATE S2047 & S2055



TWO SPEED TWO SWITCHES
S2029



TWO SPEED - ONE SWITCH
S2029/S2053



MODEL S2053-032, S2053-042, S2053-942
W/THERMAL PROTECTOR



Quik-Broom with Cassette

**Models S2029, S2031, S2033, S2047, S2053,
S2053-032, S2053-042, S2053-942, S2055**

Ref.	Part Description	No.	No.	Ref.	Part Description	No.	No.
1	12230JM	+	Handle Grip	21	15278	*	Fiber Washer (2)
	12230JJ	+	Handle Grip	22	49344	+	Insulator
2	48646026	+	Handle - JZ - S2031	23	44731003		Armature & Fan Assm.
	48643084		Handle - JM - S2029, S2033, S2047	24	163441		Fan Housing Bearing Assm.
	48646033	+	Handle - JJ - S2053, S2053-032, S2053-042, S2053-942	25	15315	+	Motor Gasket
	48646037	+	Handle - JJ - S2055	26	163416		Clip (2)
3	16275JM	+	Attach. Cord - S2055, S2047, S2033, S2031 & S2029 - 2 Speed/2 Switches	27	19586AG	+	Bulkhead
	46383068		Attach. Cord - S2053, S2053-032, S2053-042, S2053-942 & S2029 (2 Speed/1 Switch)	28	15330	+	Bag Housing Gasket
	163768		Strain Relief	29	21312719	+	Washer
4	36153009		Latch Ring (2)	30	15850	+	Bearing Retainer Support
5	42227066		Closure Plate/Latch Ring - S2029 - 2 Speed - 2 Switches	31	12012	+	Absorbent Washer
6	42227090		Closure Plate/Latch Ring - S2053, S2053-032, S2053-042, S2053-942 & S2029 (2 Speed/1 Switch)	32	15851	+	Bearing Retainer
	42227070	+	Closure Plate/Latch Ring - S2031, S2033, S2047, S2055's Equipped w/ toggle switch	33	24117209	+	Motor Bearing
	42227098		Closure Plate/Latch Ring - Model S2047's & S2055's equipped w/Slide Switch	34	15295	*	Felt Washer
7	12227		Insulated Terminal	35	45312022	+	Motor Case & Field Assm. - 2 Speed (Incl. Item 18) - S2029 - 2 Speed/2 Switches
8	42221071	+	Motor Housing Assm. - JZ - S2031		45312033	+	Motor Case & Field Assm. - 2 Speed (Incl. Item 18) - S2053, S2053-032, S2053-042, S2053-942 & S2029 (2 Speed/1 Switch)
	42221072		Motor Housing Assm. - SW - S2033, S2047		45312021		Motor Case & Field Assm. - 1 Speed - Toggle Switch (Incl. Item 18) - S2033, S2031
	42222024	+	Motor Housing Assm. - JZ - S2053		45312054	+	Motor Case & Field Assm. - 1 Speed - Toggle Switch - (Incl. Item 18) - S2047, S2055
	42221073	+	Motor Housing Assm. - FN - S2055 S2909, S2053-032, S2053-042, S2053-942		45312055		Motor Case & Field Assm. - 1 Speed - Model S2047's & S2055's equipped w/Slide Switch
9	12954	*	Screw - Self Tapping (2)	36	160532	+	Terminal (Use w/15894 Retainer)
10	31514001		Hinge Pin		161876	+	Terminal - Flag (Use w/161749 Motor Brush Holder) - S2053, S2053-032, S2053-042, S2053-942 & S2029 (2 Speed/1 Switch) - S2047, S2055
11	161549	+	Washer	37	16195	+	Rivet
12	49435	*	Cotter Pin (2) (Use w/15275AG Motor Brush Holder)	38	23715105		Latch
13	15316	+	Motor Mount		15331AY		Latch - S2053-032, S2053-042, S2053-942
14	17353		Motor Brush - Spring (2)	39	31722007	+	Insulator
	47311004		Motor Brush & Spring (2) - S2053, S2053-032, S2053-042, S2053-942 & S2029 (2 Speed/1 Switch), S2047, S2055	40	15317	+	Switch Pad - Toggle Switch S2031, S2033, S2029 - 2 Speed/2 Switches & Early S2047's/S2055's
15	160356	*	Terminal (Use w/15894 Retainer)	41	12971		Switch - (Toggle) - S2029 - 2 Speed/2 Switches, S2031, S2033 & Early S2047's/S2055's
	161876	+	Terminal - Flag (Use w/161749 Motor Brush Holder) S2053, S2053-032, S2053-042, S2053-942 & S2029 (2 Speed/1 Switch), S2047, S2055	42	161350	+	Terminal (2) - Toggle Switch - S2055, S2047, S2033, S2031 & S2029 - 2 Speed/2 Switches
16	15894	+	Retainer (Use w/15275AG Motor Brush Holder)	43	15738EF	+	Screw - Self Tapping (3)
17	162911	+	Screw (2)	44	43615001		Cassette Assm.
18	15275AG	+	Motor Brush Holder (2)		15327	+	Bag Support - Short - S2053, S2053-032, S2053-042, S2053-942
	161749AG	+	Motor Brush Holder (2) S2053, S2053-032, S2053-042, S2053-942 & S2029 (2 Speed/1 Switch), S2047, S2055	45	43523001	+	Adapter Tube & Valve - NA. - S2053
19	21312759	+	Washer (2)	46	32352001		Cassette Gasket
20	162910	+	Nut (2)		17295	+	Bag Sealing Collar - S2053, S2053-032, S2053-042, S2053-942
					15311JM	+	Bag Gasket - S2053, S2053-032, S2053-042, S2053-942

Quik-Broom with Cassette

**Models S2029, S2031, S2033, S2047, S2053,
S2053-032, S2053-042, S2053-942, S2055**

Ref.	Part Description	No.	No.
47	42223101 42223112	Bag Housing Assm. - JZ - S2031 Bag Housing Assm. - MX - S2033, S2047, S2029	
	42223057	+ Bag Housing Assm. - MX - S2053, S2053-032, S2053-042, S2053-942	
48	42223105 163052	Bag Housing Assm. - FN - S2055 + Hi-Lo Switch - S2029 - 2 Speed/2 Switches	
	47517014	Hi-Lo - Off Switch - S2053, S2053-032, S2053-042, S2053-942 & S2029 (2 Speed/1 Switch)	
49	163054	Terminal (2) - S2029 - 2 Speed/2 Switches	
	27666702	Terminal - S2029 (2 Speed/ 1 Switch) - S2053, S2053-032, S2053-042, S2053-942 & S2047's/S2055's equipped w/Slide Switch	
50	27666702	* Terminal (1) - S2029 - 2 Speed/2 Switches	
51		Parts & Wiring on S2029 - 2 Speed/2 Switches & S2053, S2053-032, S2053-042, S2053-942 & S2029 (2 Speed/ 1 Switch)	
52	47831001	Diode - S2029 - 2 Speed/2 Switches	
53	160386AW	+ Screw - Self Tapping (2 Req. S2029 - 2 Speed/2 Switches	
54	4010002E 4010008G	Throw Away Bag - 3 - Pack Throw Away Bag - 3 - Pack - Short - S2053, S2053-032, S2053-042, S2053-942	
55	37922002	Terminal Shield - S2029 2 Speed/1 Switch) - S2053, S2053-032, S2053- 042, S2053-942 & S2047's/S2055's equipped w/Slide Switch	

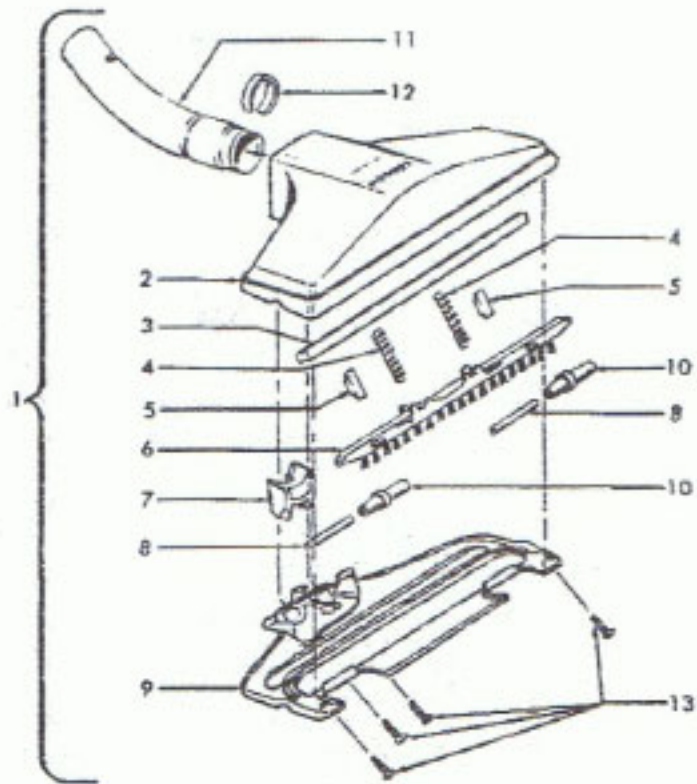
Ref.	Part Description	No.	No.
56	28177005	+ Switch (Slide) - Late Model S2047 's & S2055 's	
57	28382028	Thermal Protector - S2053-032, S2053-042, S2053-942	
	43576021	+ Motor Assm. Comp. - 2 Speed - S2029 (2 Speed/1 Switch & 2 Speed/ 2 Switches), S2053, S2053-032, S2053-042, S2053-942	
	43576019	+ Motor Assm. Comp. - 1 Speed - Toggle Switch - S2031, S2033 & Early - S2047 's, S2055 's	
	43576051	Motor Assm. Comp. - 1 Speed - Slide Switch - Late Model S2047 's & S2055 's	

PACKAGING MATERIAL

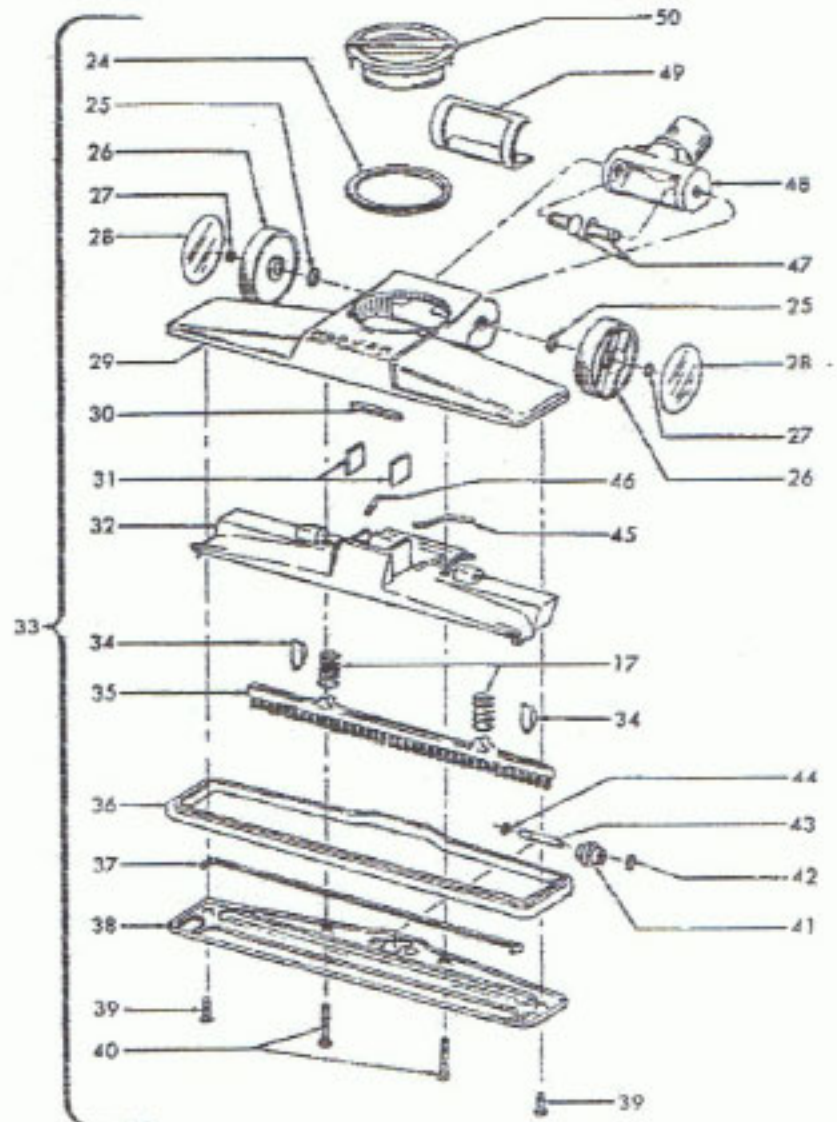
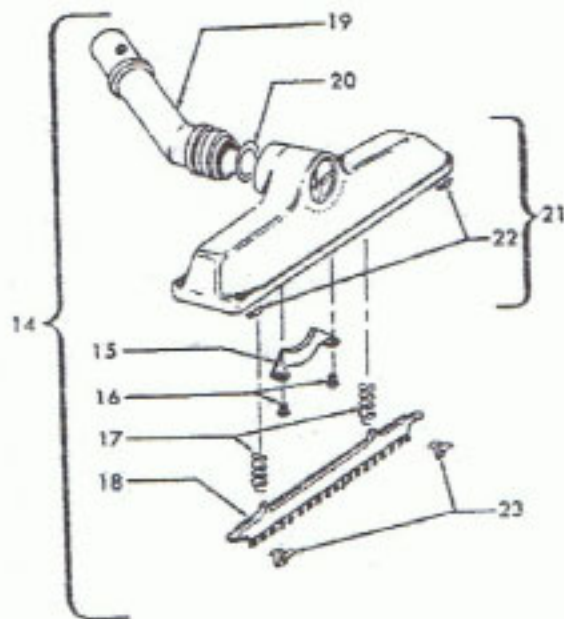
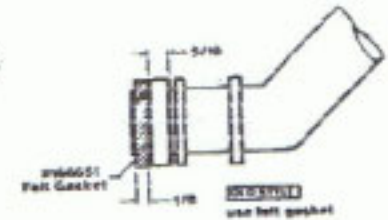
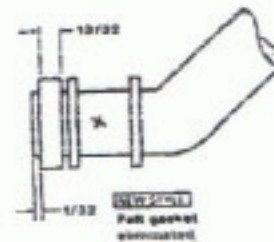
164319	+ Carton - Common
58365002	Support - S2029, S2053, S2055
58315005	+ Support - S2033, S2031
58364011	+ Support - S2047
58124059	+ Carton - S2053-032
58134031	+ Carton - S2053-042, S2053-942
56512059	+ Owner Manual - S2053, S2053-032, S2053-042, S2053-942

Rug & Floor Nozzle

Models 2910, S2005, S2007, S1021, S1021-030, S2013, S2015, S2029, S2031, S2033, S2047, S2053, S2053-032, S2053-042, S2053-942, S2055, S2057, S2085



"NOTE"
ITEM 19



Rug & Floor Nozzle

Models 2910, S2005, S2007, S1021, S1021-030, S2013, S2015, S2029, S2031, S2033, S2047, S2053, S2053-032, S2053-042, S2053-942, S2055, S2057, S2085

Ref.	Part Description	No.	No.	Ref.	Part Description	No.	No.
1	43414101	+	Rug & Floor Nozzle Comp. - AAP - S2031	29	38615101		Rug & Floor Nozzle - S2029, S2053, S2055
2	38615156		Nozzle - JM - S2031		169260FN	+	Rug & Floor Nozzle
3	16214	+	Gasket - S2031		38615164		Rug & Floor Nozzle - S2053-042, S2053-942
4	15963FW	+	Spring (2) - S2031	30	34112001	*	Seal - Foam - S2029, S2053, S2053-042, S2053-942, S2055
5	13261AY	*	Rug Nozzle Rib Shoe (2) - S2031	31	34223002	+	Seal - Felt (2) - S2029, S2053, S2053-042, S2053-942, S2055
6	16184		Brush Back Assm. - S2031	32	169250AG	+	Brush Housing - S2029, S2053, S2053-042, S2053-942, S2055
7	161413	+	Nozzle Tube Retainer - S2031	33	43414101	+	Rug & Floor Nozzle Comp. - AAP - S2029, S2053
8	13272	+	Roller Shaft (2) - S2031		48476053	+	Rug & Floor Nozzle Comp. - JZ
9	42248002	+	Bottom Plate - Edge Cleaning - S2031		48476054	+	Rug & Floor Nozzle Comp. - FN S2055
10	13157AG		Roller (2) - S2031		48476091	+	Rug & Floor Nozzle Comp. - MX - S2053-042, S2053-942
11	43463012	+	Nozzle Connector Tube - JM - S2031	34	169253AY	+	Rib Shoe (2) - S2029, S2053, S2053-042, S2053-942, S2055
12	13267	+	Gasket - S2031	35	169256		Brush Back Comp. - S2029, S2053, S2053-042, S2053-942, S2055
13	12955	*	Screw - Self Tapping (4) - S2031	36	169247JM	+	Furniture Guard - Litter Picker
14	OM114169		Rug & Floor Nozzle Comp. - ABE - 2910, S2005, S2007, S1021, S1021-030, S2013, S2015, S2033, S2047, S2053-032, S2057, S2085	37	169247AG	+	Furniture Guard - Litter Picker
15	166650AY	+	Connector Tube Clamp - 2910, S2005, S2007, S1021, S1021-030, S2013, S2015, S2033, S2047, S2053-032, S2057, S2085	38	169251	+	Gasket - S2029, S2053, S2053-042, S2053-942, S2055
16	166648AW	+	Screw - Self Tapping (2) - 2910, S2005, S2007, S1021, S1021-030, S2013, S2015, S2033, S2047, S2053-032, S2057, S2085	39	169538	+	Bottom Plate Assm. - S2029, S2053, S2053-042, S2053-942, S2055
17	166649FW		Spring (2) - 2019, S2005, S2007, S1021, S1021-030, S2013, S2015, S2029, S2033, S2047, S2053-032, S2057, S2085	40	21481464	+	Screw (2) - S2029, S2053, S2053-042, S2053-942, S2055
18	166656		Brush Block - 2910, S2005, S2007, S1021, S1021-030, S2013, S2015, S2033, S2047, S2053-032, S2057, S2085	41	21481465	+	Screw (2) - S2029, S2053, S2053-042, S2053-942, S2055
19	166652JM		Nozzle Tube - 2910, S2005, S2007, S1021, S1021-030, S2013, S2015, S2033, S2047, S2057 (See Note)	42	169243AG		Roller - S2029, S2053, S2053-042, S2053-942, S2055
20	166651		Gasket - Felt - 2910, S2005, S2007, S1021, S1021-030, S2013, S2015, S2033, S2047, S2057	43	21312758	+	Washer - S2029, S2053, S2053-042, S2053-942, S2055
21	43482057	+	Nozzle, Lock, Pad Assm. - 2910, S2005, S2007, S1021, S1021-030, S2013, S2015, S2033, S2047, S2053-032, S2057, S2085	44	169244AW		Roller Shaft - S2029, S2053, S2053-042, S2053-942, S2055
22	34121001		Pad - Felt (2) - 2910, S2005, S2007, S1021, S1021-030, S2013, S2015, S2033, S2047, S2053-032, S2057, S2085	45	24735081	*	Lock Ring - S2029, S2053, S2053-042, S2053-942, S2055
23	166646		Brush Retainer Clips (2) - 2910, S2005, S2007, S1021, S1021-030, S2013, S2015, S2033, S2053-032, S2047, S2085	46	34513001		Seal - Foam L.H. - S2029, S2053, S2053-042, S2053-942, S2055
24	34113001	+	Seal-Foam - S2029, S2053, S2055	47	34513002		Seal - Foam R.H. - S2029, S2053, S2053-042, S2053-942, S2055
25	169241AW	*	Washer (2) - S2029, S2053, S2053-042, S2053-942, S2055	48	169240AY	+	Wheel Shaft (2) - S2029, S2053, S2053-042, S2053-942, S2055
26	169239JR	+	Wheel (2) - S2029	49	169249JM	+	Connecting Tube Assm. - S2029, S2053-042, S2053-942, S2055
27	13730	*	Lock Ring (2) - S2029, S2053, S2053-042, S2053-942, S2055	50	43486002	+	Connecting Tube Assm. - S2053
28	169242		Wheel Cover (2) - S2029, S2053, S2053-042, S2053-942, S2055		34122006		Seal - S2029, S2053, S2053-042, S2053-942, S2055
					43271042	+	Suction Control Knob - JX - S2055
					169254JM	+	Suction Control Knob - S2029, S2053, S2053-042, S2053-942