

# Quik-Broom with Powered Nozzle

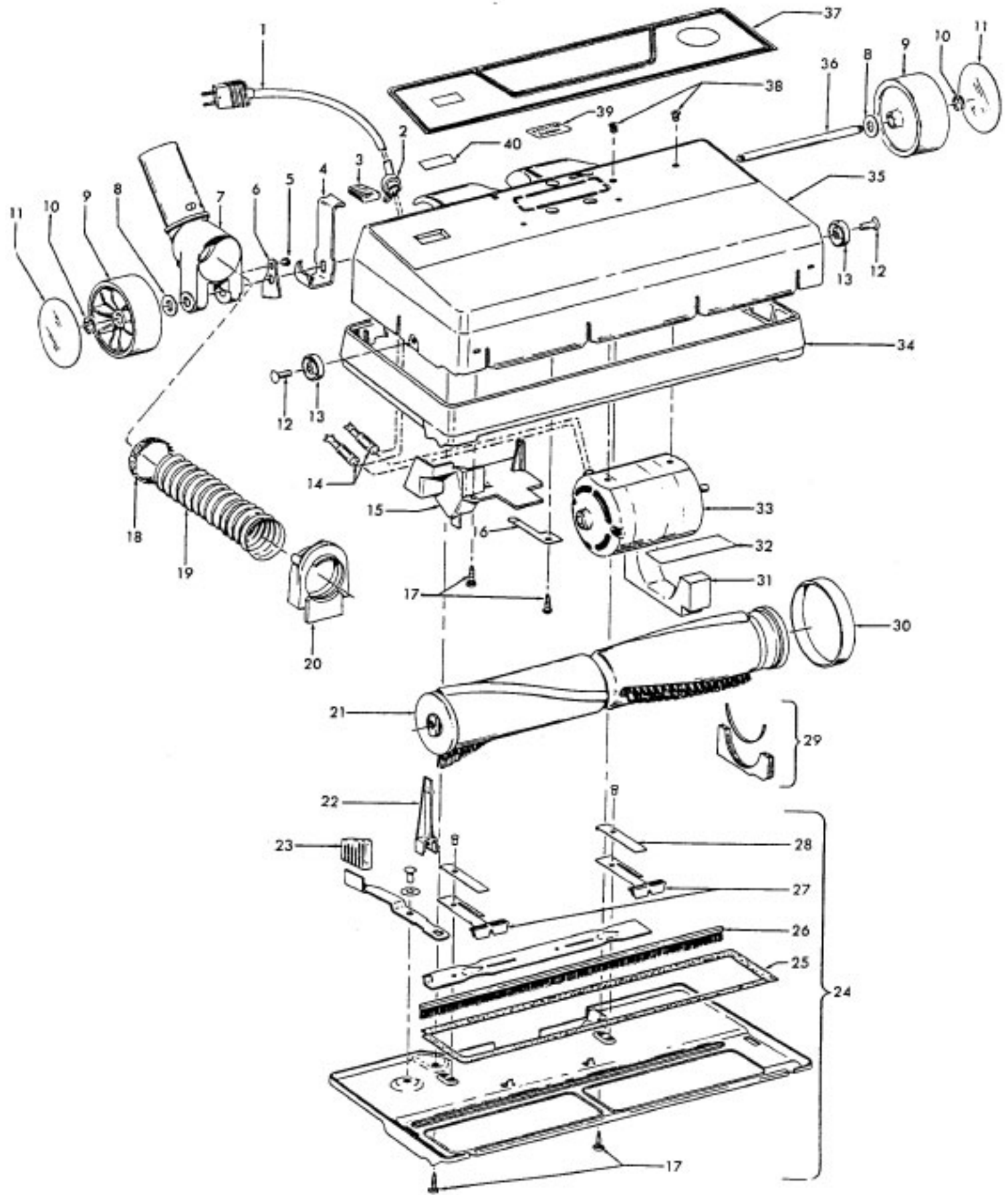
Model S2037

Ref.	Part	No.	No.
Description			
1	12230JM	+	Handle Grip
2	48646026	+	Handle Assembly
3	46383068		Attach. Cord
4	163768		Strain Relief
5	36153009		Latch Ring - (2)
6	46326068		Connector - Stripped - JM
7	34341006		Retainer Clip - Flat
8	12227		Insulated Terminal
9	42221073	+	Motor Housing Assm.
10	12954	*	Screw - Self Tapping
11	31514001		Hinge Pin - AW
12	161549	+	Washer
13	49435	+	Cotter Pin (2)
14	17353		Motor Brush & Spring Assm. (2)
15	160356	*	Terminal
16	15894	+	Motor Brush Retainer (2)
17	162911	+	Screw (2)
18	15275AG	+	Motor Brush Holder Insulator (2)
19	21312759	+	Washer (2)
20	162910	+	Nut (2)
21	15278	*	Fiber Washer (2)
22	49344	+	Insulator
23	44731003		Armature & Fan Assm.
24	163441		Fan Housing & Bearing Assm.
25	15315	+	Motor Gasket
26	163416		Clip (2)
27	19586AG	+	Bulkhead - All Models
28	15330	+	Bag Housing Gasket
29	21312719	+	Washer
30	15850	+	Bearing Retainer Support

Ref.	Part	No.	No.
Description			
31	12012	+	Absorbent Washer
32	15851	+	Bearing Retainer
33	24117209	+	Motor Bearing
34	15295	*	Felt Washer
35	45312023		Motor Case & Field Assm. (incl. Item 18)
36	160532	+	Terminal
37	16195	+	Rivet - Semi - Tubular
38	23715105		Latch
39	15317	+	Switch Pad
40	12971		Switch
41	42227070	+	Closure Plate/Latch Ring
42	161350	+	Terminal (2)
43	31722007	*	Insulator
44	15738EF	+	Screw - Self Tapping
45	43615001		Cassette Assm. - JM
46	4010002E		Throw Away Bag - 3 Pack - Cassette - Quik-Broom
47	43523001	+	Adapter Tube & Valve
48	32352001		Cassette Gasket
49	42223112		Bag Housing Assm.
50	15316	+	Motor Mount

### PACKAGING MATERIAL

58162003	+	Carton
58365002		Support
58242003	+	End Support
58512038	+	Owner Manual



**Quik-Broom with Powered Nozzle**

**Model S2037**

Ref. No.	Part No.	Description
1	46321068	Attach. Cord - JM
2	163768	Strain Relief
3	38428072	+ Foot Pad
4	34864007	Handle Release Lever
5	21435002	+ Screw - Self Tapping
6	38562009	+ Handle Position Bracket
7	43468058	Nozzle Connector Assm. - JM
8	31155005	* Washer - Plain (2)
9	38522001	Wheel (2)
10	13730	* Lock Ring (2)
11	169242	Wheel Cover (2)
12	21256025	Rivet - Small Solid (2)
13	32761001	Wheel - BZ (2)
14	12227	Insulated Terminal (2)
15	37943010	+ Circuit Breaker Cover - HE
16	35412003	Spring
17	21429404	+ Screw - Self Tapping (4)
18	168651	Felt Gasket
19	43431196	Hose Assembly
20	38638013	Hose Adapter - HE
21	48418004	Agitator Assm. Comp. - JU
22	51151031	+ Indicator - JM
23	38428080	Foot Pad
24	42248003	Bottom Plate Assm. - AW
25	34123001	Bottom Plate Seal
26	48443001	Brush

Ref. No.	Part No.	Description
27	36952008	Brush Support (2)
28	34854003	Spring - GJ (2)
29	43548001	+ Agitator Seal Assm. - HE
30	38528009	Belt - Powered Nozzle
31	38781003	Dirt Seal
32		1-1/2" Wide Pressure Sensitive Tape
33	27212011	+ Motor - Power Nozzle
34	36235002	Furniture Guard - JM
35	42241041	Nozzle Body - JM
36	32543002	Wheel Shaft - AZ
37	51375014	+ Nameplate
38	21768123	Screw - Machine - EF (2)
39	51638007	Handle Release Label
40	39382013	+ Indicator Lens
	48438084	Powered Nozzle Complete

**PACKAGING MATERIAL**

58132009	+ Carton - Powered Nozzle
58332001	+ Support - Powered Nozzle

**ITEMS NOT ILLUSTRATED**

34618017	Bracket Assm. (Use with 27212011 when installing on old style Nozzle Body with two mounting holes)
----------	--