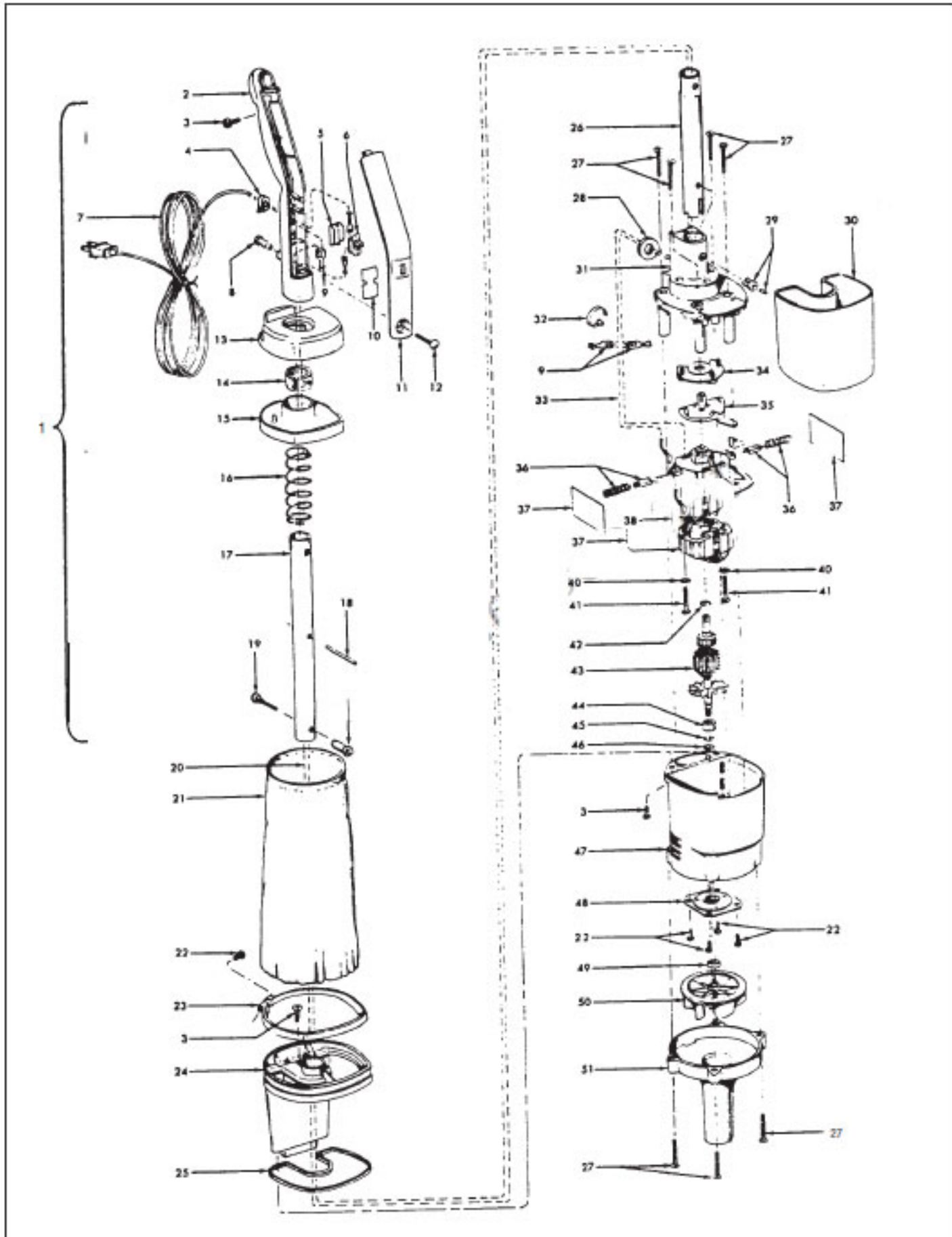


HOOVER Original

QUIK-BROOM II

Model S2095



Original

HOOVER

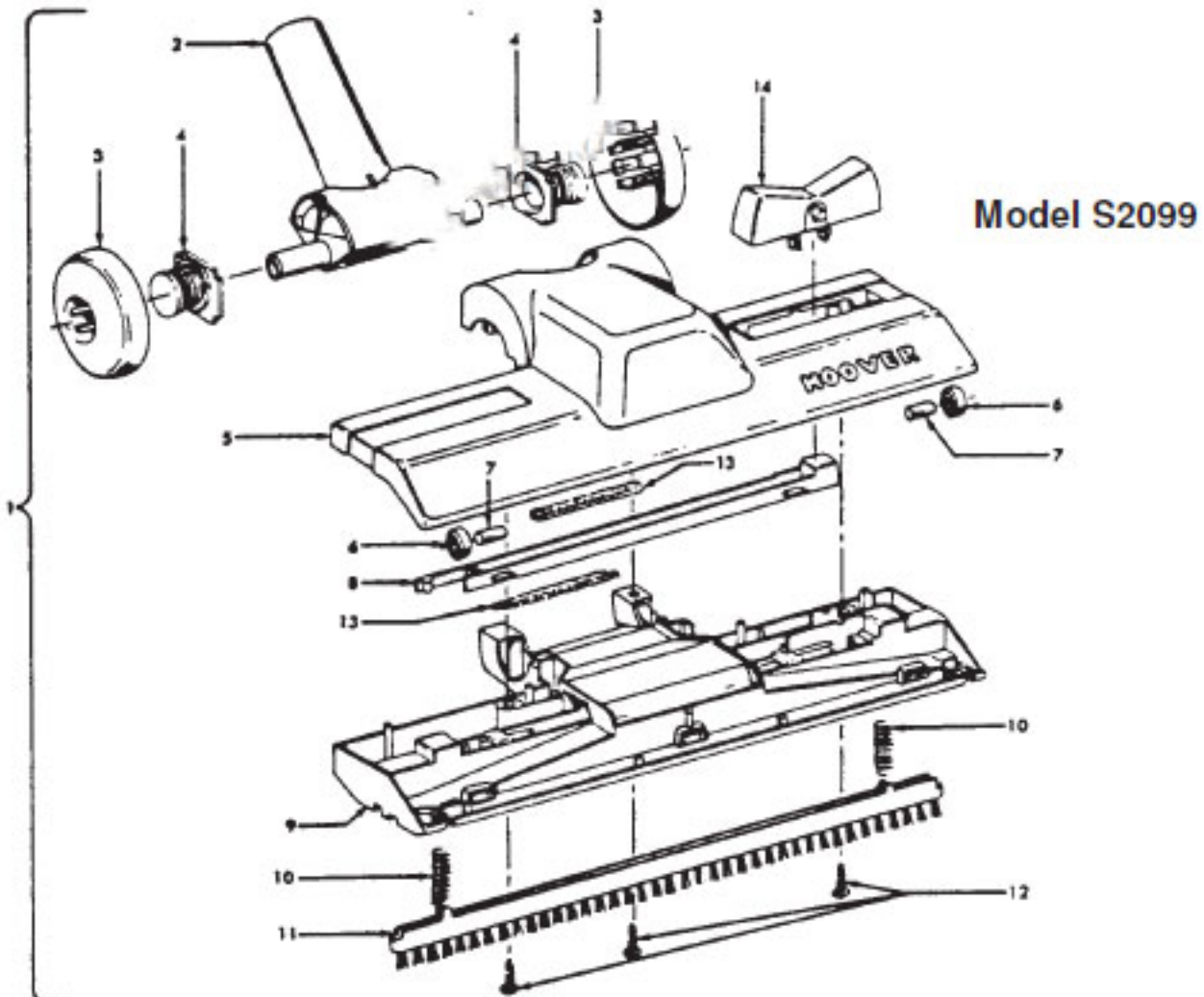
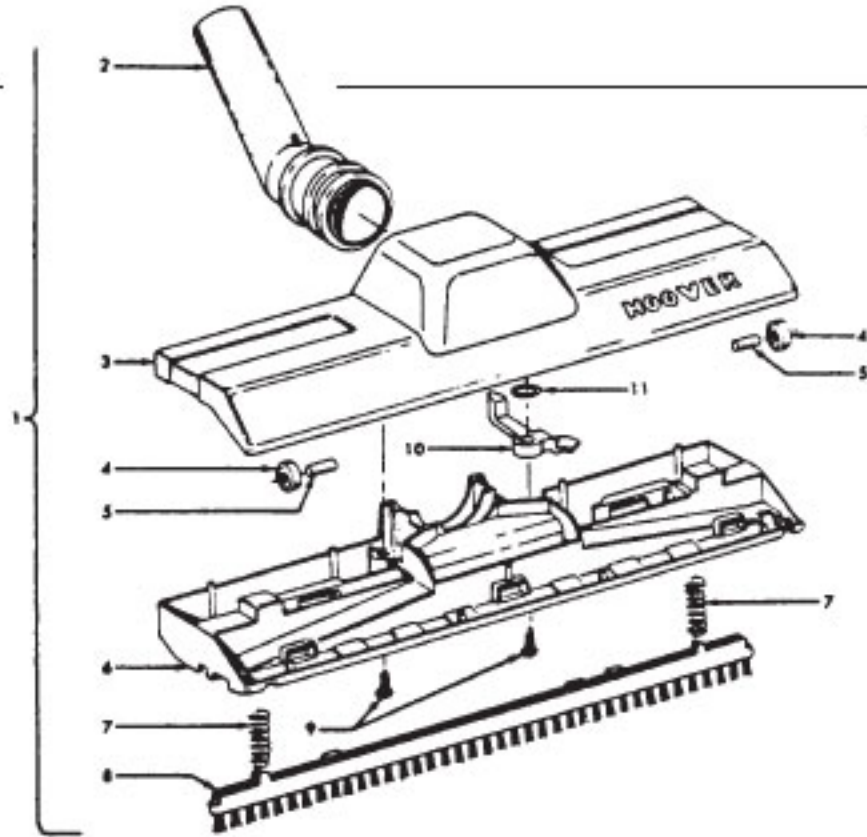
QUIK-BROOM II

Model S2095

KEY	PART NO.	DESCRIPTION	KEY	PART NO.	DESCRIPTION
1	H-48655217	Handle Ass'y - Upper Half - (Metal Tube)	30	H-38775022	Dirt Cup
	H-48655232	Handle Ass'y - Upper Half - (Molded Tube)	31	H-37196097	Motor Cover - JM
2	H-39454006	Handle Grip	32	H-27479307	Lead Wire Tie
3	H-21447003	Screw - Self Tapping (4)	33	H-46143065	Lead Wire
4	H-27482301	Strain Relief Bushing	34	H-38562023	Cam - MV
5	H-37258082	Terminal Shield	35	H-38452078	Lever - MV
6	H-281770 KD	Switch	36	H-47318022	Motor Brush & Spring Ass'y (2)
7	H-46363148	Attachment Cord Ass'y - JM	37	H-34152010	Insulator (2)
8	H-32277021	Hand Clamp Bolt Nut - AW/AY (2)	38	H-42196005	Motor Brush Housing Ass'y - AG
9	H-12227	Insulated Terminal (3)	39	H-45312099	Field Ass'y Comp.
10	H-34264004	Handle Separator	40	H-21338030	* Lockwasher (2)
11	H-37226058	Handle Cover	41	H-21479438	* Screw (2)
12	H-21631302	Bolt - RN HD Square Neck - AW/AY	42	H-163699	* Retaining Ring
13	H-37225008	Bag Cap - Outer - AAP	43	H-44732010	Armature Ass'y Comp.
14	H-38781012	Gasket	44	H-31721047	Spacer
15	H-37225010	Bag Cap - Inner - BZ	45	H-13730	* Lock Ring
16	H-38315012	Spring - Compression	46	H-21312815	Washer
17	H-48631138	Handle - Upper Half - (Metal Tube)	47	H-37193009	Motor Housing - JM
	H-32458003	Handle - Upper Half - (Molded Tube)	48	H-42193022	Bearing Plate Ass'y
18	H-21157003 *	Spiral Pin - Use w/Metal Tube	49	H-31146008	Spacer
19	H-21631301	Handle Clamp Bolt - Use w/Metal Tube	50	H-38755018	Fan - AG
	H-21631302	Handle Clamp Bolt - Use w/Molded Tube	51	H-37196088	Fan Cover
20	H-46312003	Motor Lead Wire Ass'y Comp.	ITEMS NOT ILLUSTRATED		
21	H-43662005	Bag Ass'y - AAP/NAA		H-38784043	Motor Housing Gasket
22	H-21434288 *	Screw - Self Tapping (5)	PACKAGING MATERIAL		
23	H-36171046	Clamp Band - AAP		H-58132047	Carton
24	H-41424036	Bag Support Ass'y - (Incl. Item 25)		H-58212006	Nozzle Support
25	H-34123036	Gasket		H-58345012	Carton Support
26	H-31756023	Handle - Lower Half - (Metal Tube)		H-58351023	End Support
	H-32355012	Handle - Lower Half - (Molded Tube)		H-56512127	Owner Manual
27	H-21434287 *	Screw - Self Tapping - FW (8)			
28	H-21329104 *	Washer - Fiber			
29	H-21261351	Plastic Rivet - Use w/Metal Tube			
	H-21264022	Plastic Rivet - Use w/Molded Tube			

HOOVER Original

QUIK BROOM
Rug & Floor Nozzle



Original

HOOVER

QUIK BROOM

Models S2095, S2097, S2103

KEY	PART NO.	DESCRIPTION
1	H-43414122	Standard Rug and Floor Nozzle Ass'y - AAP
2	H-38646041	Nozzle Tube - AAP
3	H-38615153	Rug and Floor Nozzle - AAP
4	H-38521018	Roller (2 Req.)
5	H-31511004	Roller Axle - AY (2 Req.)
6	H-36414008	Brush Housing - MV
7	H-166649 FW	Spring (2 Req.)
8	H-48443003	Brush Back Ass'y - AG
9	H-21447203 *	Screw - Self Tapping (2 Req.)
10	H-38454004	Brush Back Lever - MV
11	H-21329105 *	Felt Washer

Model S2099

KEY	PART NO.	DESCRIPTION
1	H-43414120	Deluxe Rug and Floor Nozzle Ass'y - AAP
2	H-38646043	Nozzle Connector - AAP
3	H-43244027	Wheel & Bearing Ass'y (2)
4	H-38511016 +	Wheel Bearing-AAT (2 Req.)
5	H-38615180	Rug and Floor Nozzle - AAP
6	H-38521018	Roller (2 Req.)
7	H-31511004	Roller Axle - AY (2 Req.)
8	H-38451008	Slider - AG
9	H-36414010	Brush Housing - MV
10	H-166649 FW	Spring (2 Req.)
11	H-48443004	Brush Back Ass'y - AG
12	H-21447203 *	Screw - Self Tapping (3 Req.)
13	H-34122013 *	Seal (2 Req.)
14	H-38434015	Pedal - MV