

**Quik-Broom II**

**Model S2099**

Ref. No.	Part No.	Description
1	48655230	Handle Assm. - Upper Half - Molded
	48655215	Handle Assm. - Upper Half - Metal
2	46363137	Attachment Cord - AAP
3	27482301	Strain Relief Bushing
4	21447003	Screw - Self Tapping (5)
5	39454006	Handle Grip
6	47831007	Diode Assm.
7	31744023	Tubing - JM
8	27479307	Lead Wire Tie (2)
9	12227	Insulated Terminal
10	46143064	Black Lead Wire
11	37258082	Terminal Shield
12	28179105	Switch
13	21631302	Handle Bolt - AW/AY
14	37226079	Handle Cover
15	12227	Insulated Terminal
16	32277021	Handle Nut - AW/AY
17	37225008	Bag Cap - Outer - AAP
18	38781012	Gasket
19	37225010	Bag Cap - Inner - BZ
20	38315012	Spring - Compression
21	32458003	Handle - Upper Half - Molded
	48631138	Handle - Upper Half - Metal (Incl. Spiral Pin)
22	46513006	Motor Lead Wire Assm. Comp.
23	43662018	Bag Assm. - AAP/NAA
24	21434288	Screw - Self Tapping
25	36171046	Clamp Band - AAP
26	41424037	Bag Support Assm. - AAM (incl. Item 29)
27	34123036	Gasket
28	32355012	Handle - Lower Half - Molded
	31756023	Handle - Lower Half - Metal
29	21434287	Screw - Self Tapping (8)
30	21329104	Washer - Fiber
31	37196097	Motor Cover - AAM
32	39466023	Carrying Handle - AAP
33	38775044	Dirt Cup
34	21264022	Plastic Rivet - Use w/Molded Tube
	21261351	Plastic Rivet - Use w/Metal Tube

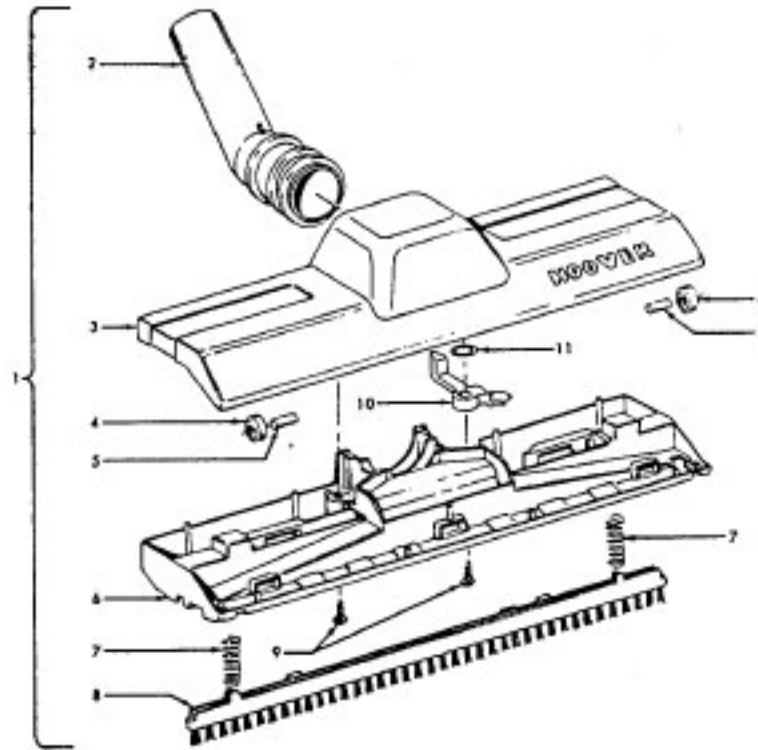
Ref. No.	Part No.	Description
35	38562023	Cam - MV
36	38452090	Lever
37	46143065	White Lead Wire
38	47318022	Motor Brush & Spring Assm. (2)
39	34152010	Insulator (2)
40	42196005	Motor Brush Housing Assm. - AG
41	45312098	Field Assm. Comp.
42	21338030	Lockwasher (2)
43	21479439	Screw (2)
44	44731074	Armature Assm. Kit (incl. Items 45,46,48)
45	21378012	C-Clip w/Flat
	21378010	C-Clip (Early Models)
46	21378013	C-Clip Retainer w/tabs
	21378011	C-Clip Retainer (Early Models)
47	37193008	Motor Housing - AAM
48	43265006	Bearing Plate Assm.
	42193022	Bearing Plate Assm. (Early Models)
49	21434288	Screw - Self Tapping
50	31146008	Spacer
51	38755018	Fan - AG
52	37196088	Fan Cover

**ITEMS NOT ILLUSTRATED**

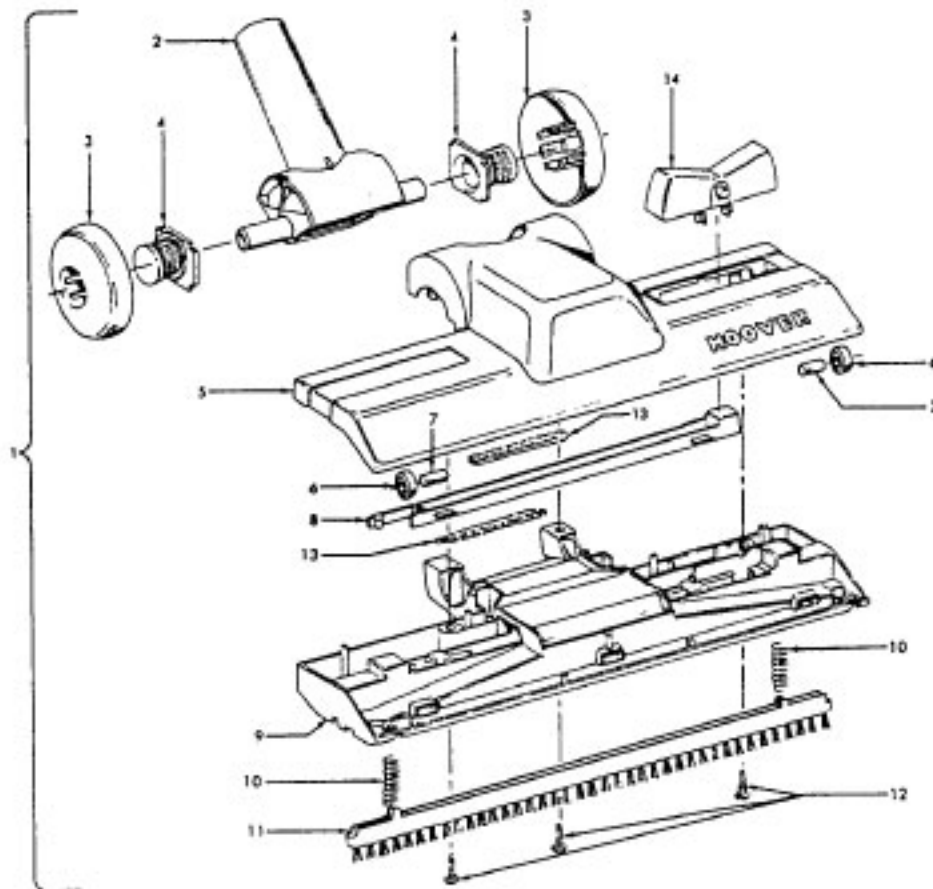
34264004	Handle Separator - Used w/Metal Handle
21157003	Spiral Pin - Used w/Metal Handle
38784043	Housing Gasket

**PACKAGING MATERIAL**

58132047	Carton
58212006	Nozzle Support
58353011	Carton Support
58351023	End Support
56512127	Owner Manual



Model S2099



**Rug & Floor Nozzle****Models S2095, S2097, S2103, S2131, S2135**

<b>Ref. No.</b>	<b>Part No.</b>	<b>Description</b>
1	43414180	Rug & Floor Nozzle - ABE
2	38646078	Nozzle Tube - AAP
3	38615153	Rug & Floor Nozzle - AAP
4	38521018	Roller (2)
5	31511004	Roller Axle-AY (2)
6	36414018	Brush Housing
7	166649FW	Spring (2)
8	48443003	Brush Back Assm. - AG
9	21447203	Screw - Self Tapping (2)
10	38454004	Brush Back Lever - MV
11	21329105	Felt Washer

**Model S2099**

<b>Ref. No.</b>	<b>Part No.</b>	<b>Description</b>
1	43414161	Deluxe Rug & Floor Nozzle Assm. - ABE/ABR
2	38646071	Nozzle Connector - AAP
3	43244043	Wheel & Bearing Assm. (2)
4	38511016	Wheel Bearing - AAT (2)
5	38615180	Rug & Floor Nozzle - AAP
6	38521018	Roller (2)
7	31511004	Roller Axle - AY (2)
8	38451008	Slider - AG
9	36414013	Brush Housing - MV
10	166649FW	Spring (2)
11	48443004	Brush Back Assm. - AG
12	21447203	Screw - Self Tapping (3)
13	34122013	Seal (2)
14	38434015	Pedal - MV