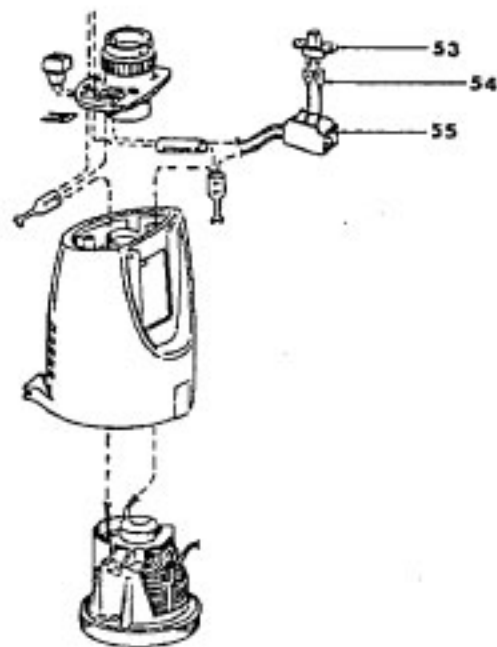


ONE SPEED-SLIDE SWITCH
LATE MODEL S2043's



Quik-Broom w/Powered Nozzle

Model S2043

Ref.	Part	No.	No.	Description
1	12230JM			Handle Grip
2	48645023			Handle/Grip Assm.
3	46383068			Attach. Cord
4	163768			Strain Relief
5	36153009			Latch Ring
6	46326070			Connector - JM
7	34341006			Retainer Clip
8	12227			Insulated Terminal
9	42222100			Motor Housing Assm. - JZ
10	12954			Screw - Self Tapping
11	31514001			Hinge Pin - AW
12	161549			Washer
13	15316			Motor Mount
14	161749AG			Brush Holder
15	47311004			Motor Brush & Spring
16	161876			Terminal
17	162911			Screw
	21312759			Washer
	162910			Nut
18	15278			Fiber Washer
19	49344			Insulator
20	44731003			Armature & Fan Assm.
21	163441			Fan Housing & Bearing Assm.
22	15315			Motor Gasket
23	163416			Clip
24	19586AG			Bulkhead
25	15330			Bag Housing Gasket
26	21312719			Washer
27	15850			Bearing Retainer Support
28	12012			Absorbent Washer
29	15851			Bearing Retainer
30	24117209			Motor Bearing
31	15295			Felt Washer
32	45312033			Motor Case & Field Assm.
33	23715105			Latch
34	21447003			Screw - Self Tapping
35				Pop Rivet - 1/8" Dia. x * 3/8" Long
36	48662006			Handle/Muffler Assm. (incl. Items 37, 38,39,40,41)
37	34544001			Exhaust Diffuser - L. H.

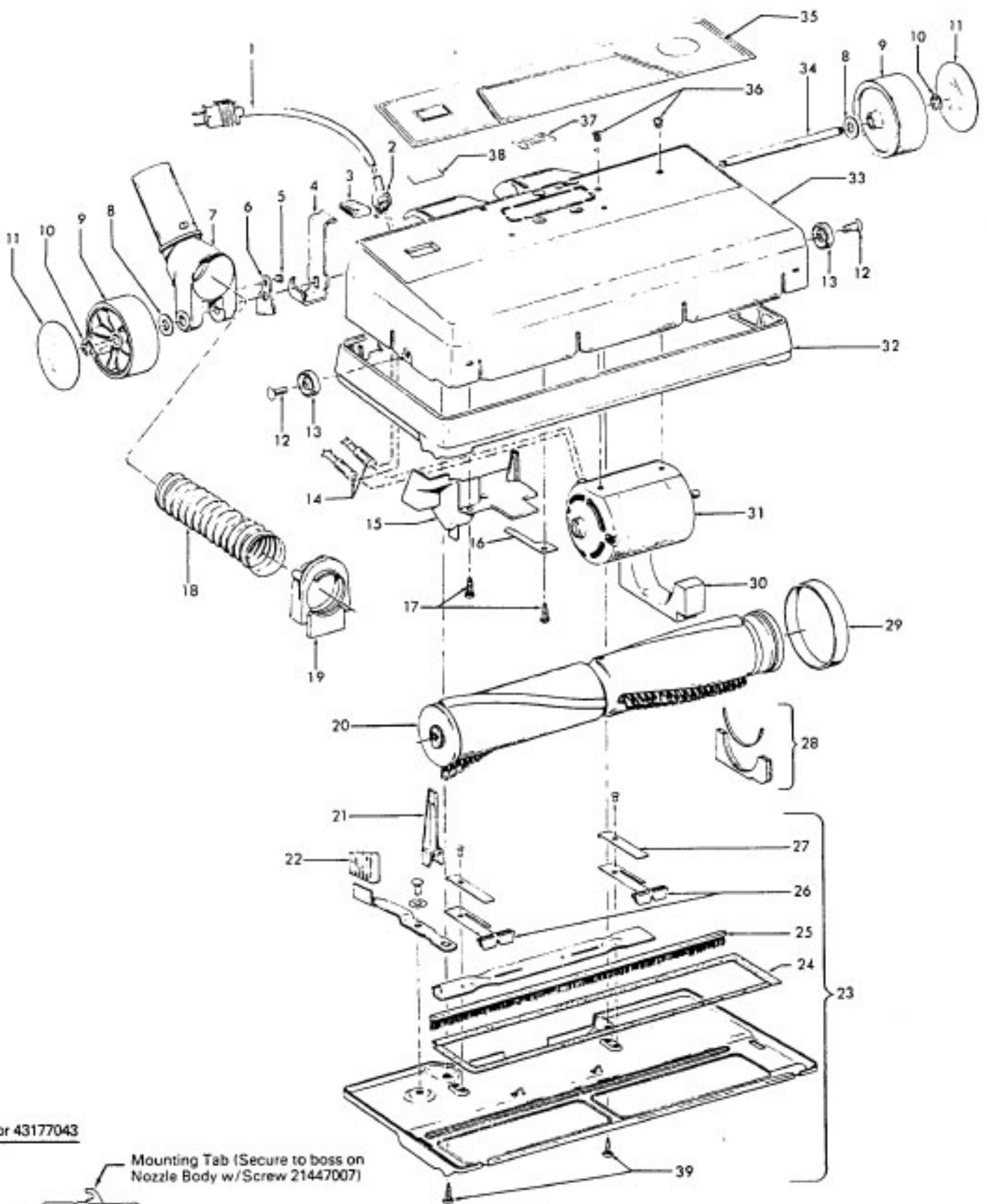
Ref.	Part	No.	No.	Description
	34544002			Exhaust Diffuser - R.H. (Shown)
38	34123013			Handle & Muffler Foam Seal (2)
39	34123012			Handle & Muffler Foam Seal
40	39383034			Indicator Lens - BU
41	51151045			Full Bag Indicator - BZ
42	15317			Switch Pad - Model S2043 's equipped w/Toggle Switch
43	12971			Switch (Toggle) - Early Model S2043's
44	42227070			Closure Plate/Latch Ring - Model S2043 's equipped w/Toggle Switch
	42227097			Closure Plate/Latch Ring - Model S2043 's equipped w/Slide Switch
45	161350			Terminal - Model S2043 's equipped w/Toggle Switch
46	31722007			Insulator
47	15738EF			Screw - Self Tapping
48	43615001			Cassette Assm. - JM
49	4010002E			Throw Away Bag - 3 Pack
50	43523001			Adapter Tube & Valve
51	32352001			Cassette Gasket
52	42223112			Bag Housing Assm. - MX
53	281770KD			Switch (Slide) - Late Model S2043 's
54	27666702			Terminal - Model S2043 's equipped w/Slide Switch
55	37922002			Terminal Shield - Model S2043 's equipped w/Slide Switch

ITEMS NOT ILLUSTRATED

52135018	Decal (Handle/Muffler Assm.)
21447026	Screw - Self Tapping (2) (Secures Item 36 Handle/Muffler Assm. to Item 9 Motor Housing Assm.)

PACKAGING MATERIAL

58162003	Carton
58365002	Carton Support
56512055	Owner Manual



Motor 43177043

Mounting Tab (Secure to boss on Nozzle Body w/ Screw 21447007)



After Jan. 1980

Quik-Broom - Powered Nozzle

Model S2043

Ref. No.	Part No.	Description
1	46321068	Attach. Cord - JM
2	163768	Strain Relief
3	38426072	Foot Pad
4	34664007	Handle Release Lever
5	21435002	Screw - Self Tapping
6	38562009	Handle Position Bracket
7	43468058	Nozzle Connector Assm. - JM
8	31155005	Washer
9	38522001	Wheel
10	13730	Lock Ring
11	169242	Wheel Cover
12	21256025	Rivet
13	32761001	Wheel - BZ
14	12227	Insulated Terminal
15	37943010	Circuit Breaker Cover
16	35412003	Spring
17	21429404	Screw - Self Tapping
18	43431196	Hose Assembly
19	38638013	Hose Adapter - HE
20	48416004	Agitator - JU
21	51151031	Indicator - JM
22	38426080	Foot Pad
23	42246003	Bottom Plate Comp. - AW
24	34123001	Bottom Plate Seal
25	48443001	Brush
26	36952008	Brush Support
27	34654003	Spring
28	43548001	Agitator Seal Assm.
29	38528009	Belt (Powered Nozzle)
30	38781003	Dirt Seal - Prior to Jan. 1 980 (Use w/ 27212011 Motor)

Ref. No.	Part No.	Description
	34284001	Motor Baffle - After Jan. 1980 (Use w/ 43177073 Motor)
31	27212011	Motor (Powered Nozzle) - Prior to Jan. 1980 (Use w/21434224 Screw (2))
	43177073	Motor w/Mounting Tab - After Jan. 1980 (Use w/21447007 Screw (1))
32	36235002	Furniture Guard - JM
33	42241041	Nozzle Body - JM
34	32543002	Wheel Shaft
35	51375014	Nameplate
36	21434224	Screw - Machine - Prior to Jan. 1980 (2) - (Use w/27212011 Motor)
	21447007	Screw - After Jan. 1980 (1) - (Use w/ 43177073 Motor)
37	51638007	Handle Release Label
38	39382013	Indicator Lens
39	21447003	Screw - Self Tapping
	48438084	Powered Nozzle Assm. (Does not Incl. Items 35,38)
	13261AY	Rib Shoe (Nozzle Body - Belt Guard)

PACKAGING MATERIAL

58132009	Carton (Powered Nozzle)
58332001	Support (Powered Nozzle)
34618017	Bracket Assm. (Use w/27212011 (Plastic Case) when installing on old style Nozzle Body with two mounting holes.)