

Model Number: S2131---

BOM/Serial #: S2131---

Graphic Title: MOTOR ASSEMBLY, BAG & MOTORHOUSING

Image	Key	Part Number	Description	Substitution	Qty.
1	1	48655230	HANDLE ASSEM-UPPER H		1
1	1	48655215	HDL ASSM COMP-UPPER	48655221	1
1	2	46363137	ATTACH CORD - AG		1
1	3	27482141	STRAIN REL BUSH/PROT		1
1	3	27482301	STRAIN RELIEF	163768--	1
1	4	21447003	SCREW		4
1	5	39454006	HANDLE GRIP - S2095/		1
1	6	47831007	DIODE ASSEM - S2099		1
1	7	31744023	TUBING - S2099		1
1	8	27479307	CABLE TIE		2
1	9	012227--	TERMINALS-0513		5
1	10	46143064	LEAD WIRE-S2099/S210		1
1	11	37258082	SHIELD		1
1	12	28179105	SWITCH - S2155		1
1	13	21631302	HANDLE BOLT-U7047/45		1
1	14	37226080	HANDLE COVER-ABU-S21		1
1	15	012227--	TERMINALS-0513		5
1	16	32277021	HANDLE NDLI		2
1	17	37225008	BAG CAP-OUTER-AAP-S2		1
1	18	38781012	GASKET - S2095/97/99		1
1	19	37225010	BAG CAP-INNER-S2095/		1
1	20	38315012	SPRING - S2095/97/99		1
1	21	32458003	HANDLE-UPPER HALF-MO		1
1	21	48631138	HANDLE ASSM-UPPER HA		1
1	22	46513006	MOTOR LEAD WIRE ASSM		1
1	23	43662025	BAG ASSEMBLY-ABN-S21		1
1	23	43662032	BAG ASSEMBLY-S2147		1
1	24	21434288	SCREW -S2095/97/99		5
1	25	36171046	CLAMP BAND-S2095/97/		1
1	26	42223167	BAG SUPPORT ASSM-ABN		1
1	26	41424038	BAG SUPPORT ASSEMBLY		1
1	27	34123036	GASKET - S2095/97/99		1
1	28	31756023	HANDLE-LOWER HALF-S2		1
1	28	32355012	HANDLE-LOWER HALF-MO		1
1	29	21434287	SCREW - S2095/97/99		8

Image	Key	Part Number	Description	Substitution	Qty.
1	30	21329104	WASHER - FIBRE-S2095		1
1	31	37196098	MOTOR COVER - NAA -		1
1	31	37196103	MOTOR COVER-AG-S2131		1
1	32	21261351	PLASTIC RIVET - S209		1
1	32	21264022	PLASTIC RIVET		1
1	33	38775044	DIRT CUP-BZ-QB II		1
1	34	38562023	CAM-MV-S2095/97/99		1
1	35	38452090	LEVER-ABN-S2141,47,5		1
1	36	46143065	LEAD WIRE - S2095/99		1
1	37	47318022	MOTOR BRUSH & SPRING		1
1	38	34152010	INSULATOR-S2095/97/9		2
1	39	42196005	MOTOR BRUSH HOUSING		1
1	40	45312098	FIELD ASSM CoMP - S2		1
1	40	45317036	FIELD ASSEMBLY-S2147		1
1	41	21338030	HELICAL SPRING LOCKW		2
1	42	21479438	SCREW		2
1	42	21479439	SCREW		2
1	43	44731073	ARMATURE KIT-QBII -		1
1	43	44731074	ARMATURE KIT-QBII -		1
1	44	21378012	C-CLIP-QB II		1
1	44	21378010	C-CLIP - QI		1
1	45	21378011	C-CLIP RETAINER QBII		1
1	45	21378013	C-CLIP RETAINER-QB I		1
1	46	37193010	MOTOR HOUSING - NAA		1
1	46	37193013	MOTOR HOUSING-ABN-S2		1
1	47	42193022	BEARING PLATE ASSM-S		1
1	47	43265006	BEARING PLATE ASSEM-		1
1	48	21434288	SCREW-S2095/97/99		4
1	48	31146008	SPACER		1
1	50	38755018	FAN - AG - S2095/97/		1
1	51	37196088	FAN COVER - S3095		1
1	52	38784043	HOUSING GASKET - QB		1
1	52	34264004	HANDLE SEPARATOR - S		1
1	52	21157003	SPIRAL PIN-S2095/97/		1
1	54	58212006	NOZZLE SUPPORT-S2095		1
1	54	58351023	END SUPPOR-S2095/97/		1
1	54	56512127	OWNER MANUAL S2095/9		1
1	55	58212007	NOZZLE SUPPORT-S2131		1

Image	Key	Part Number	Description	Substitution	Qty.
1	55	56512158	OWNER MANUAL-S2131		1
1	55	58353011	CARTON SUPPORT-S2095		1

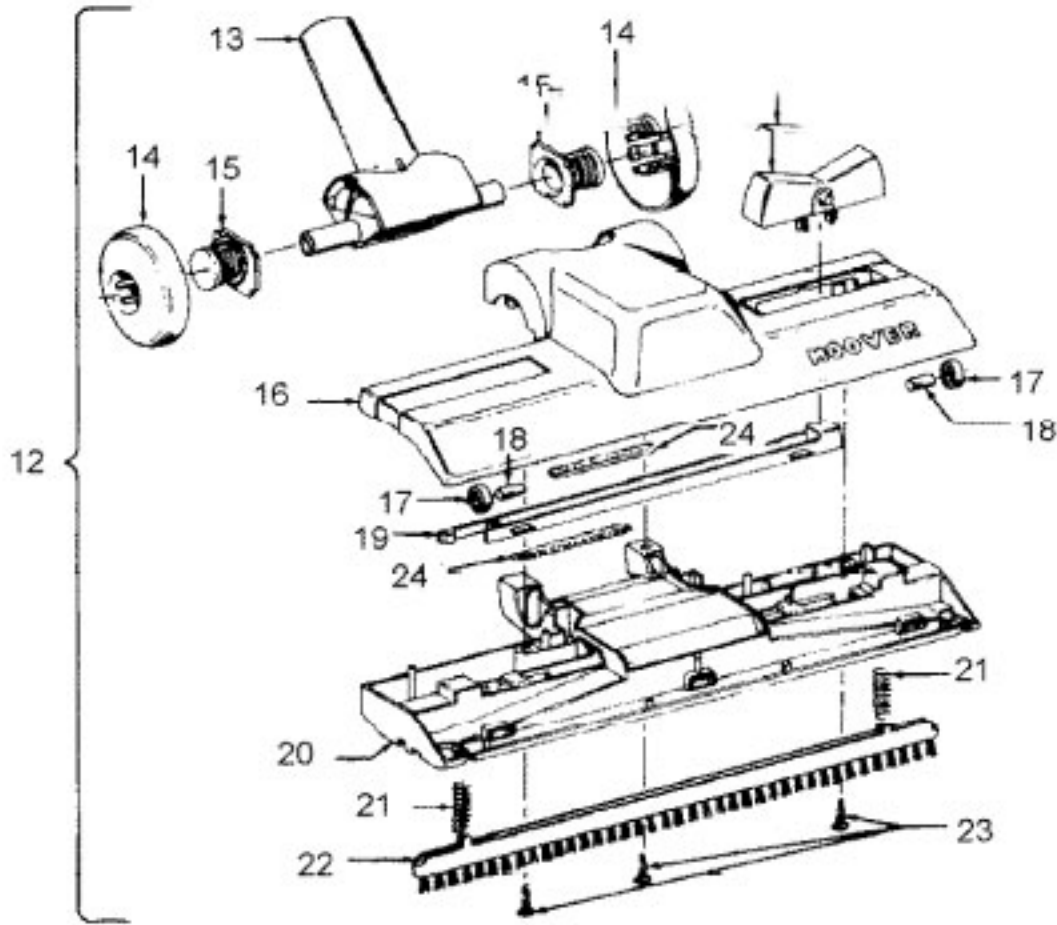
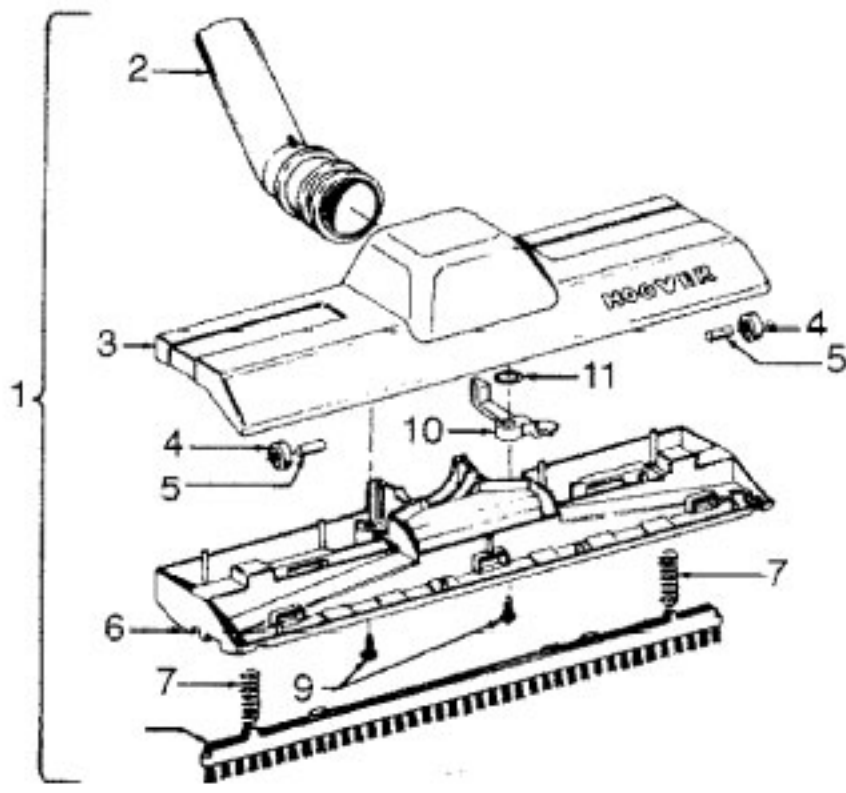


Image	Key	Part Number	Description	Substitution	Qty.
1	1	43414180	Rug & Floor Nozzle		1
1	2	38646078	NOZZLE TUBE		1
1	3	38615153	RUG & FLOOR NOZZLE-A	43414180	1
1	4	38521018	ROLLER - S2095		2
1	5	31511004	ROLLER AXLE - S2095		2
1	6	36414018	BRUSH HOUSING-ABR-S1		1
1	7	166649FW	SPRING-2910		2
1	8	48443004	BRUSH BACK ASSM-S209		1
1	9	21447203	SCREW-S2095/97/99		2
1	10	38454004	BRUSH BACK LEVER - S		1
1	11	21329105	WASHER-FELT-S2095/97		1
1	12	43414180	Rug & Floor Nozzle		1
1	13	38646082	Noz Con-AG-S2571		1
1	14	43244043	WHEEL/AXLE ASSEMBLY		2
1	15	38511016	WHEEL BEARING-AAT-S2	43244043	2
1	16	43414117	RUG & FLOOR NOZZLE		1
1	17	38521018	ROLLER - S2095		2
1	18	31511004	ROLLER AX - - S209		2
1	19	38451008	SLIDER - AG - S2099		1
1	20	36414013	BRUSH HOUSING - MV -		1
1	21	166649FW	SPRING-2910		2
1	22	48443004	BRUSH BACK ASSM-S209		1
1	23	21447203	SCREW-S2095/97/99		3
1	24	34122013	SEAL - S2099		2
1	25	38434015	PEDAL - MV- S2099		1