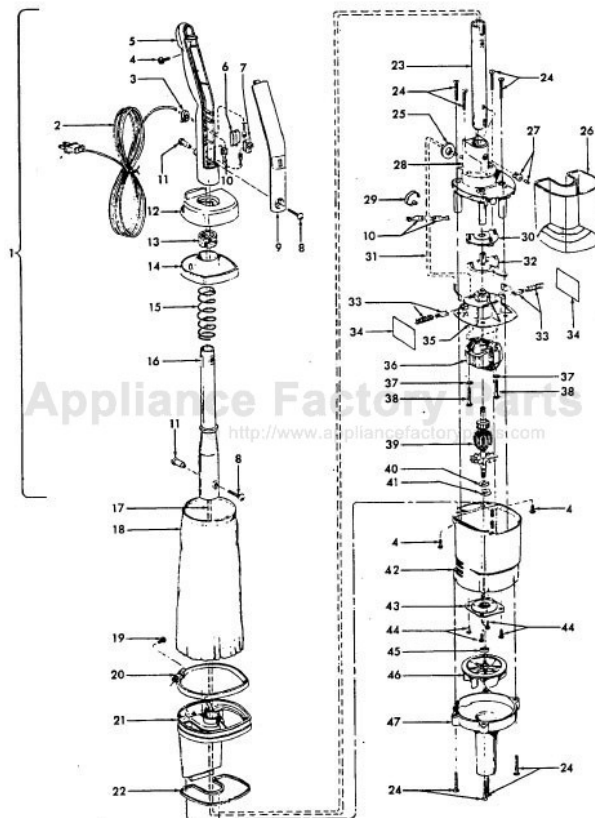


This Owner's Manual is provided and hosted by Appliance Factory Parts.



HOOVER S2141 Owner's Manual

[Shop genuine replacement parts for HOOVER S2141](#)

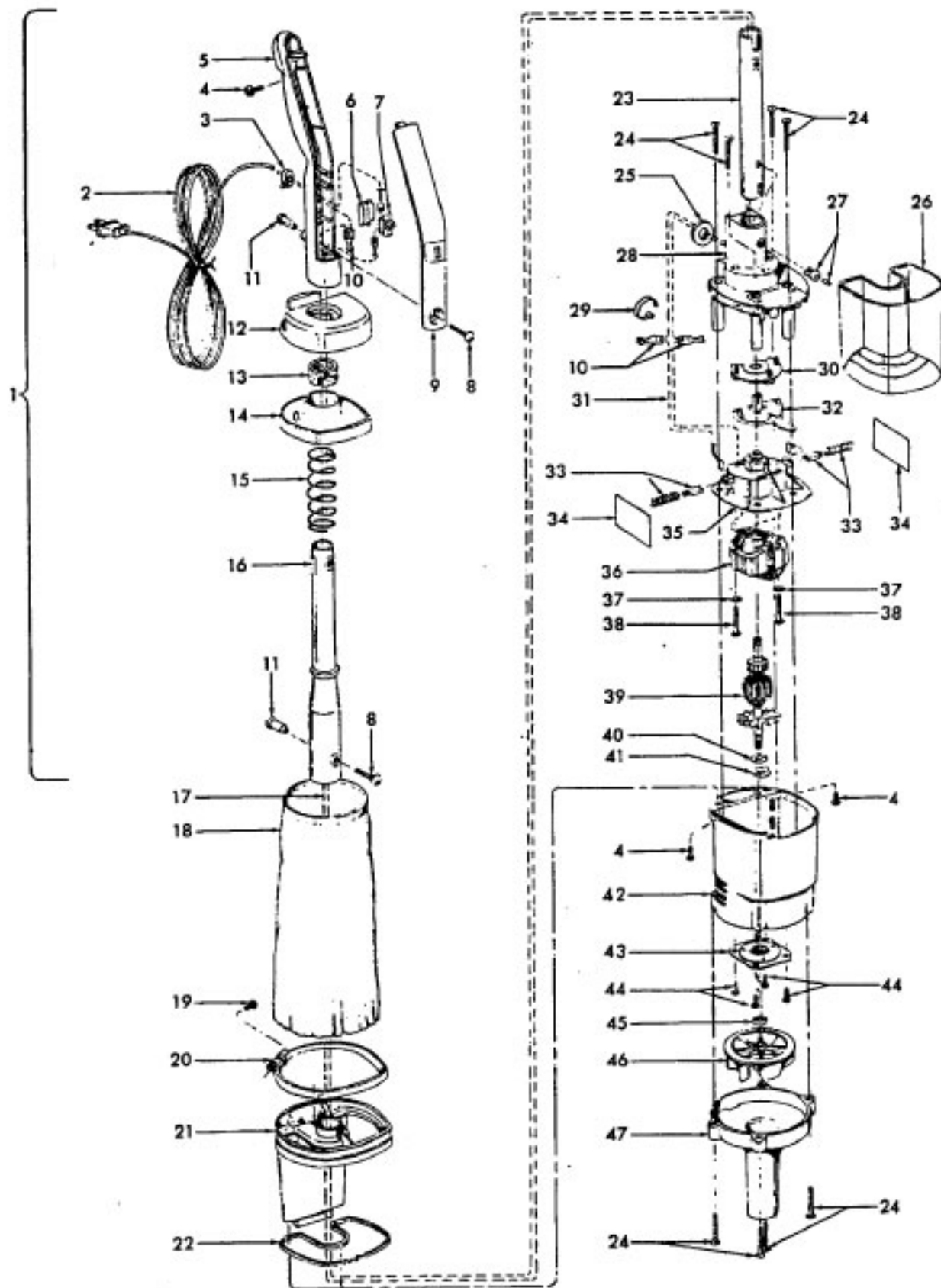


[Find Your HOOVER Vacuum Cleaner Parts - Select From 1456 Models](#)

----- Manual continues below -----

Quik-Broom II

Models S2141, S2139-080
S2149



Quik-Broom II

Models S2141, S2139-080, S2149

| Ref. | Part Description | No. | No. |
|------|------------------|---|-----|
| 1 | N/A | Handle Assm. - Upper | |
| 2 | 46363154 | Attach. Cord Assm. - MV | |
| 3 | 27482301 | Strain Relief Bushing | |
| 4 | 21447003 | Screw (3) | |
| 5 | 39454065 | Handle Grip - ABU | |
| 6 | 37258082 | Terminal Shield | |
| 7 | 28177027 | Switch | |
| 8 | 21631302 | Handle Bolt - AW/AY | |
| 9 | 37226059 | Handle Cover - ABU | |
| 10 | 12227 | Insulated Terminal | |
| 11 | 32277021 | Handle Nut - AW/AY (2) | |
| 12 | 37225016 | Bag Cap - Outer - ABE | |
| 13 | 38781012 | Gasket | |
| 14 | 37225010 | Bag Cap - Inner - HE | |
| 15 | 38315014 | Spring - Compression | |
| 16 | 32458006 | Handle - Upper Half | |
| 17 | 46312003 | Motor Lead Wire Assm. | |
| 18 | 43662032 | Bag Assm. - ABT S2141 | |
| | 43662034 | Bag Assm. - ABC S2139-080 | |
| | 43662032 | Bag Assm. - AG - S2149 | |
| 19 | 21447218 | Screw - Self Tapping | |
| 20 | 36171046 | Clamp Band - AAP | |
| 21 | 42223175 | Bag Support Assm. - ABT (Incl. Items 20,22) S2141 | |
| | 42223176 | Bag Support Assm. - AG (Incl. It. 20, 22) S2149 | |
| | 42223178 | Bag Support Assm. - ABC (Incl. It. 20, 22) S2139-080 | |
| 22 | 34123036 | Gasket | |
| 23 | 32355014 | Handle - Lower Half - ABU | |
| 24 | 21434287 | Screw - Self Tapping - FW (8) | |

| Ref. | Part Description | No. | No. |
|------|------------------|---------------------------------|-----|
| 25 | 21329104 | Washer - Fiber | |
| 26 | 38775044 | Dirt Cup | |
| 27 | 21264022 | Plastic Rivet | |
| 28 | 37196103 | Motor Cover - AG | |
| 29 | 27479307 | Wire Tie | |
| 30 | 38562023 | CAM - AG | |
| 31 | 46143065 | Motor Lead Wire Assm. | |
| 32 | 38452090 | Lever - ABN | |
| 33 | 47318022 | Motor Brush & Spring Assm. (2) | |
| 34 | 34152010 | Insulator (2) | |
| 35 | 42196005 | Motor Brush Housing Assm. | |
| 36 | 45312101 | Field Assm. Comp. | |
| 37 | 21338030 | Lockwasher (2) | |
| 38 | 21479438 | Screw (2) | |
| 39 | 44731073 | Armature Assm. Comp. | |
| 40 | 21378012 | C-Clip | |
| 41 | 21378013 | C-Clip Retainer | |
| 42 | 37193022 | Motor Housing - ABT S2141 | |
| | 37193025 | Motor Housing - ABC - S2139-080 | |
| | 37193024 | Motor Housing - AG - S2149 | |
| 43 | 43265006 | Bearing Plate Assm. | |
| 44 | 21447218 | Screw - Self Tapping (4) | |
| 45 | 31146008 | Spacer | |
| 46 | 38755018 | Fan - AG | |
| 47 | 37196117 | Fan Cover - ABT S2141 | |
| | 37196150 | Fan Cover - ABC S2139-080 | |
| | 37196118 | Fan cover - AG S2149 | |

ITEMS NOT ILLUSTRATED

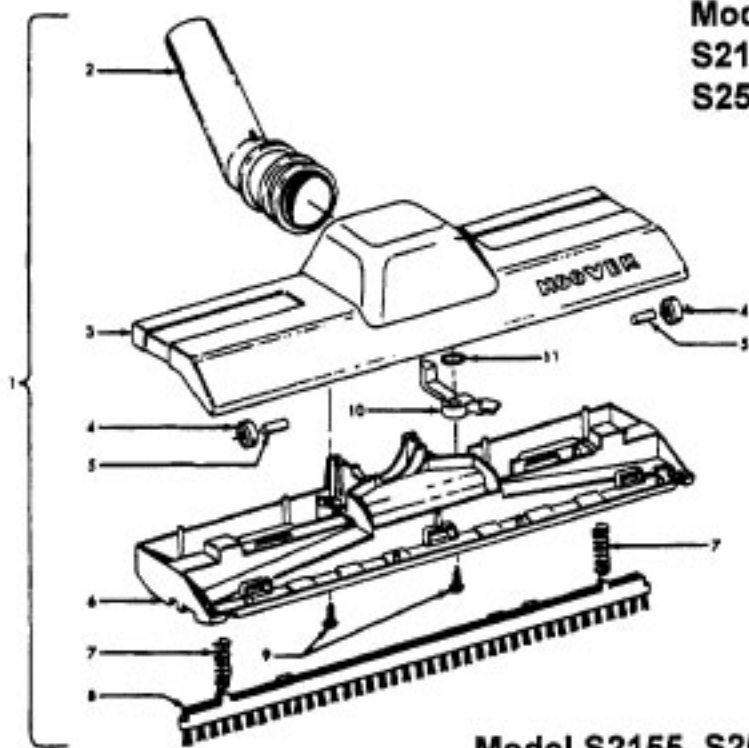
43414180 Rug & Floor Nozzle (P - 64)

PACKAGING MATERIAL

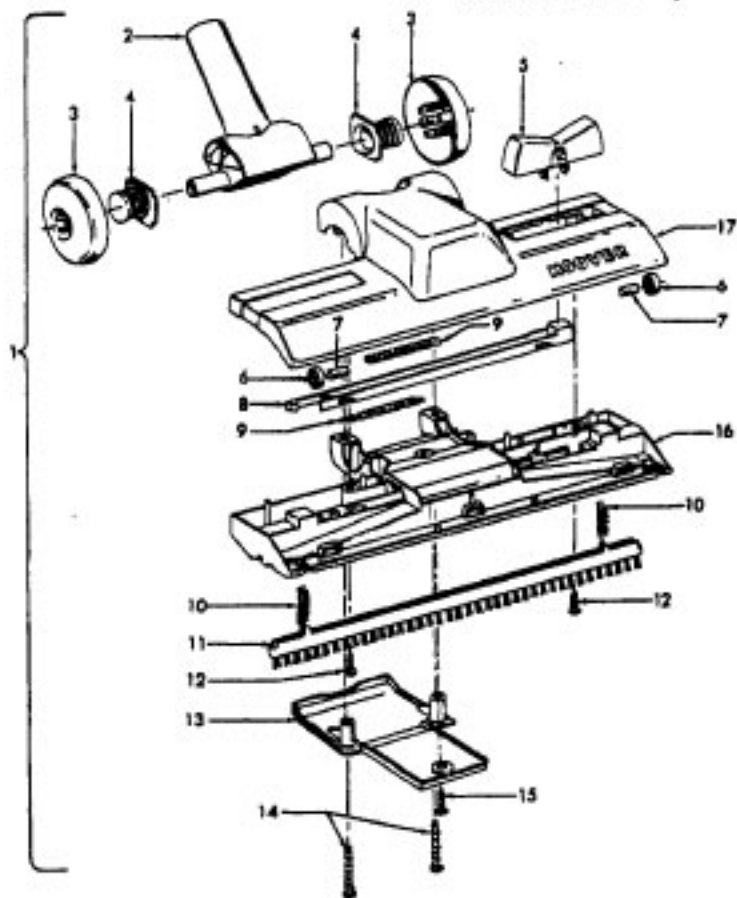
58132074 Carton S2141
 58132076 Carton S2149
 58132080 Carton S2139-080
 58212007 Nozzle Support
 58353011 Cleaner Support
 56512127 Owner Manual

Rug & Floor Nozzle

Models S2141, S2147,
S2139-080, S2149, S2515,
S2541, S2551



Model S2155, S2543, S2545, S2561, S2571



Rug & Floor Nozzle

Models S2141, S2147, S2139-080, S2149, S2515, S2541, S2541-040, S2551

| Ref. No. | Part No. | Description |
|----------|---------------|--|
| 1 | Not Available | Standard Rug & Floor Nozzle - ABE(Use Dlx. 43414180) |
| 2 | 38646078 | Nozzle Tube - ABE |
| 3 | 38615182 | Rug & Floor Nozzle - ABE |
| 4 | 38521018 | Roller (2) |
| 5 | 31511004 | Roller Axle-AY (2) |
| 6 | 36414018 | Brush Housing - MV |
| 7 | 166649FW | Spring (2) |
| 8 | 48443003 | Brush Back Assem. - AG |
| 9 | 21447203 | Screw - Self Tapping (2) |
| 10 | 38454004 | Brush Back Lever - MV |

Models S2155, S2543, S2545, S2561, S2571

| Ref. No. | Part No. | Description |
|----------|----------|--|
| 1 | 43414180 | Deluxe Rug & Floor Nozzle Assem. - ABE |
| | 43414182 | Deluxe Rug & Floor Nozzle Assem. - ADJ - S2571 |
| 2 | 38646071 | Nozzle Connector - ABE |
| | 38646082 | Nozzle Connector - AG - S2571 |
| 3 | 43244043 | Wheel & Bearing Assem. (2) - ABR |
| 4 | | Included w/Item 3 |
| 5 | 38434019 | Pedal - ABN |
| | 38434022 | Pedal - AG - S2571 |
| 6 | 38521018 | Roller (2) |
| 7 | 31511004 | Roller Axle - AY (2) |
| 8 | 38451008 | Slider - AG |
| 9 | 34122013 | Seal (2) |
| 10 | 166649FW | Spring (2) |
| 11 | 48443004 | Brush Back Assem. - AG |
| 12 | 21447203 | Screw - Self Tapping (2) |
| 13 | 36434005 | Skid Plate - ABR |
| | 36434006 | Skid Plate - AG - S2571 |
| 14 | 21447020 | Screw - Self Tapping (2) |
| 15 | 21447203 | Screw - Self Tapping |
| 16 | 36414019 | Brush Housing - ABR |
| | 36414023 | Brush Housing - AG - S2571 |
| 17 | 43414157 | Rug & Floor Nozzle - ABE |
| | 43414185 | Rug & Floor Nozzle - ADJ - S2571 |