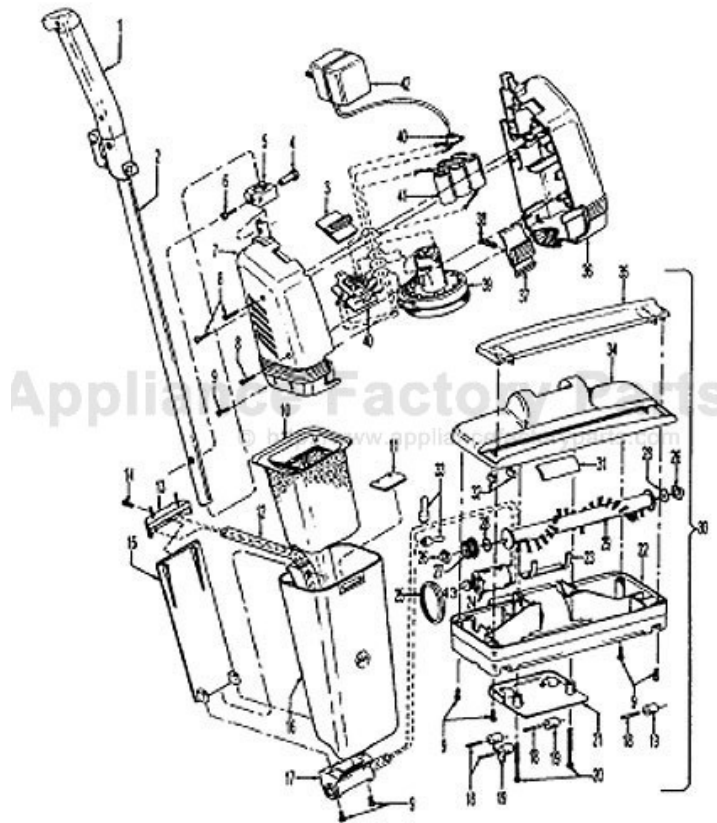


This Owner's Manual is provided and hosted by [Appliance Factory Parts](#).



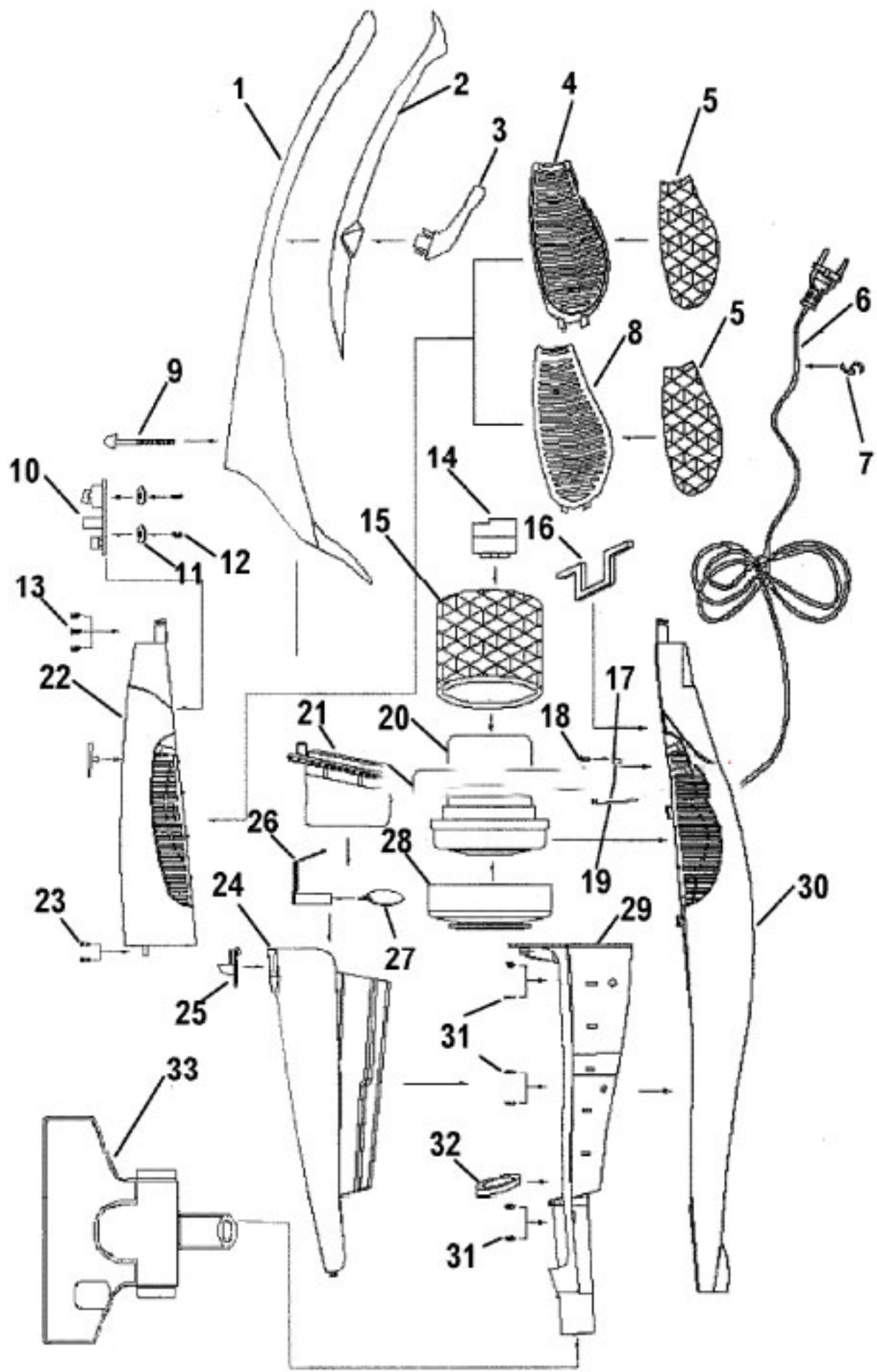
HOOVER S2211 Owner's Manual

[Shop genuine replacement parts for HOOVER S2211](#)



[Find Your HOOVER Vacuum Cleaner Parts - Select From 1456 Models](#)

----- Manual continues below -----



Model Number: S2201---

BOM/Serial #: S2201---

Graphic Title: MAINHOUSING, HOSE, MOTORHOUSING

Image	Key	Part Number	Description	Substitution	Qty.
1	1	59136115	Handle-AG-S2201		1
1	1	59136161	Handle Assm-S2220		1
1	1	59136060	UPPER HDLE-S2200		1
1	2	----	NOT REQUIRED PART OR SEE NOTE		1
1	3	59136152	Cord Hook-S2220		1
1	3	59136103	Cord Hook-AG-S2201		1
1	3	59136011	CORD HOOK-S2200		1
1	4	59136155	Air Outlet Grid-R		1
1	4	59136009	RIGHT AIR OUTLET GRID		1
1	4	59136108	R Air Outlet Grid		1
1	5	59136022	AIR OUTLET FILTER-S2		1
1	6	59136052	PWR CORD W/PROTECTOR		1
1	7	----	NOT REQUIRED PART OR SEE NOTE		1
1	8	59136156	Air Outlet Grid-L		1
1	8	59136107	L Air Outlet Grid		1
1	8	59136010	LEFT AIR OUTLET GRID		1
1	9	59136059	FINGER BOLT-UPP HDL		1
1	9	59136162	Power Noz20 ²⁰		1
1	9	59136158	Fr Cover - S2220		1
1	9	59136105	Rear Cover-Lwr HdI		1
1	9	59136006	PCB/Switch/Noz Wirin		1
1	9	59136112	Front Cover-S2201		1
1	9	59136114	Middle Hsg-S2201		1
1	9	59136154	Rear Cvr-L HdI-S2220		1
1	9	59136064	Owner Manual-S2220		1
1	9	59136159	Middle Hsg-S2220		1
1	10	59136035	PRINTED CIRCUIT BOARD		1
1	11	59136057	WASHERS-S2200		1
1	12	59136015	SCREW		1
1	13	59136015	SCREW		1
1	14	59136013	MTR FIX RING/SMALL		1
1	15	59136024	MTR SOUND INSULATION		1
1	16	59136012	MTR SEAL/CHAMBER SEA		1
1	17	59136061	PWR CORD FIXING BRD		1
1	18	59136015	SCREW		1

Image	Key	Part Number	Description	Substitution	Qty.
1	19	59136051	POWER CORD PROT		1
1	20	59136023	MOTOR-S2200		1
1	21	59136055	PRIMARY BAG FILTER		1
1	22	59136056	FRT COVER-S2200		1
1	23	59136015	SCREW		1
1	24	59136109	Finger Bolt-AG		1
1	24	59136157	Finger Bolt-S2220		1
1	24	59136054	DUST BIN ASSY-S2200		1
1	25	-----	NOT REQUIRED PART OR SEE NOTE		1
1	26	-----	NOT REQUIRED PART OR SEE NOTE		1
1	27	-----	NOT REQUIRED PART OR SEE NOTE		1
1	28	59136014	MOTOR SEAL - S2200		1
1	29	59136058	MIDDLE HSG W/GAS-S22		1
1	30	59136007	REAR COVER/LOWER HANDLE		1
1	31	59136015	SCREW		1
1	32	59136045	FRT SEALING/DIRT CUP		1
1	33	59136026	FLR NOZZLE COMP-S220		1
1	33	59136049	FLR NOZZLE BRUSH ONLY		1
1	40	59136028	OWNERS MANUAL-S2200		1