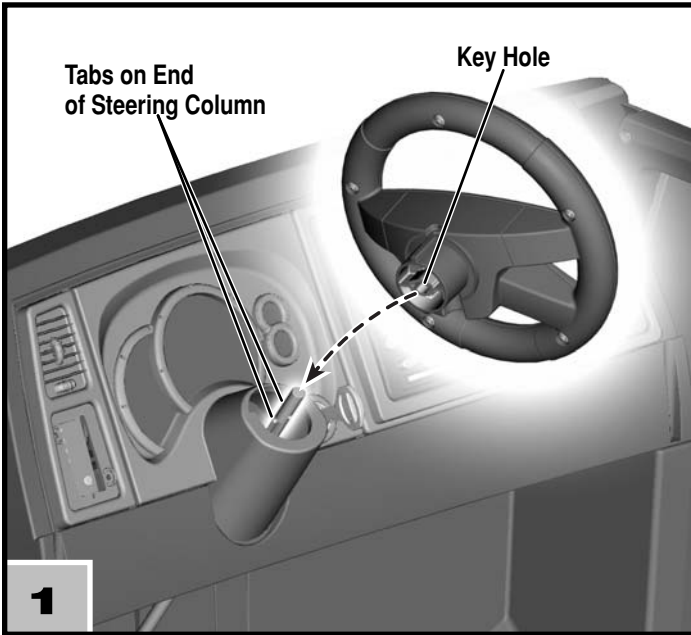


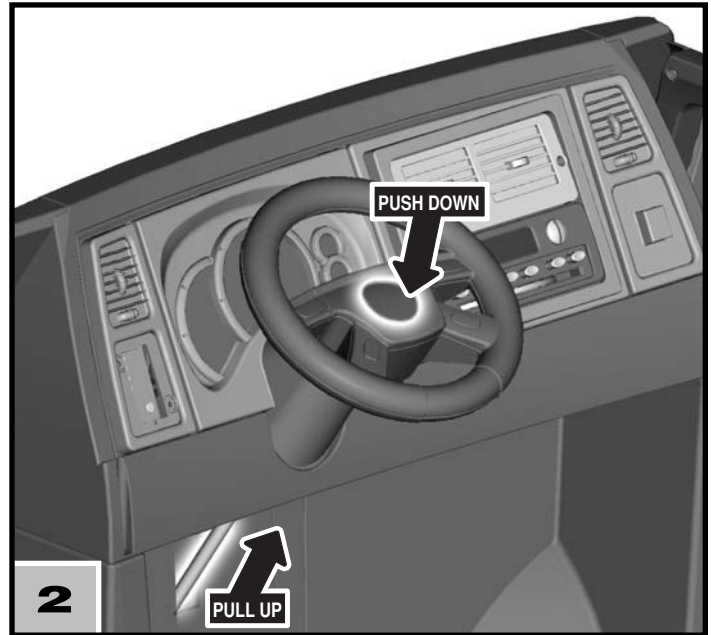


# IMPORTANT!

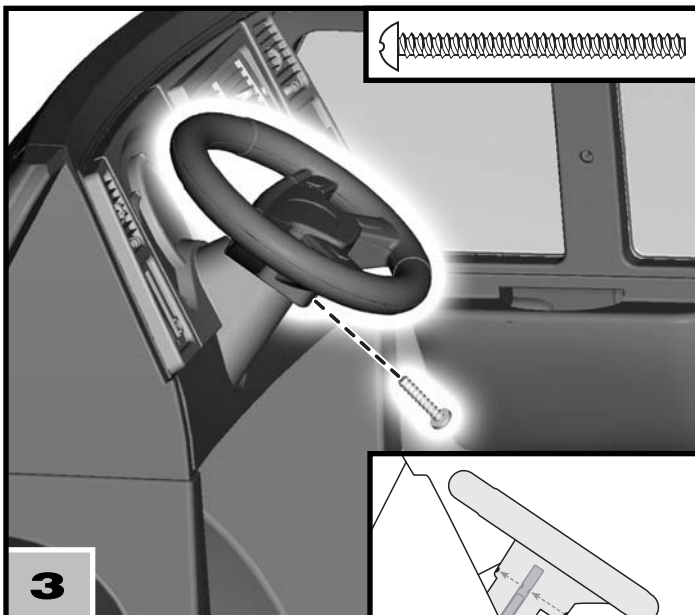
Please follow these instructions to assemble the steering wheel to the steering column.



• Fit the keyhole inside the steering wheel to the tabs on the end of the steering column.



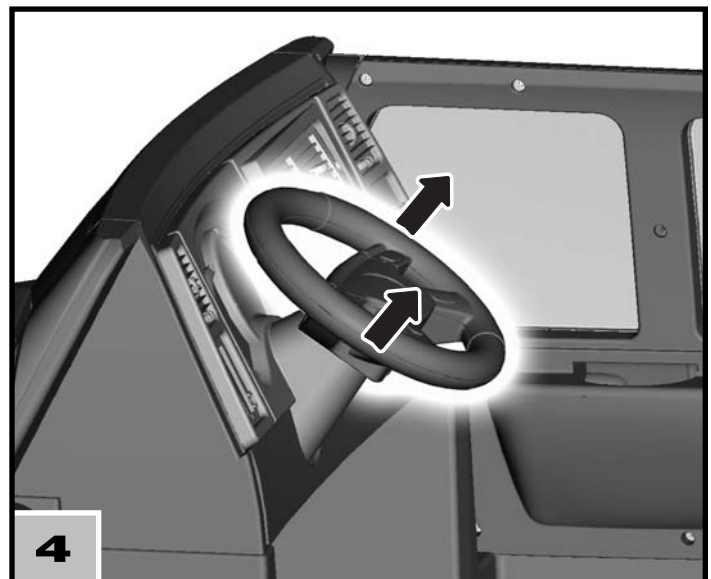
• While pulling up on the steering column, push down on the center of the steering wheel.



• Insert the #6 x 1 1/2" screw into the hole in the bottom of the steering wheel, through the hole in the steering column and to the top of the steering wheel.

**Hint:** You may need to push down on the center of the steering wheel to be sure the screw goes through the steering column.

• Tighten the screw.



• Pull up on the steering wheel to be sure it is assembled correctly. **If you can remove the steering wheel, you have not inserted the screw through both the bottom of the steering wheel and the steering column.** Please review these instructions and re-assemble the steering wheel.