

WASHER

Repair Parts List

MODEL NUMBER

GA308

When requesting service or ordering parts, always provide the following information:

- Product Type
- Part Number
- Model Number
- Part Description

MAYTAG®

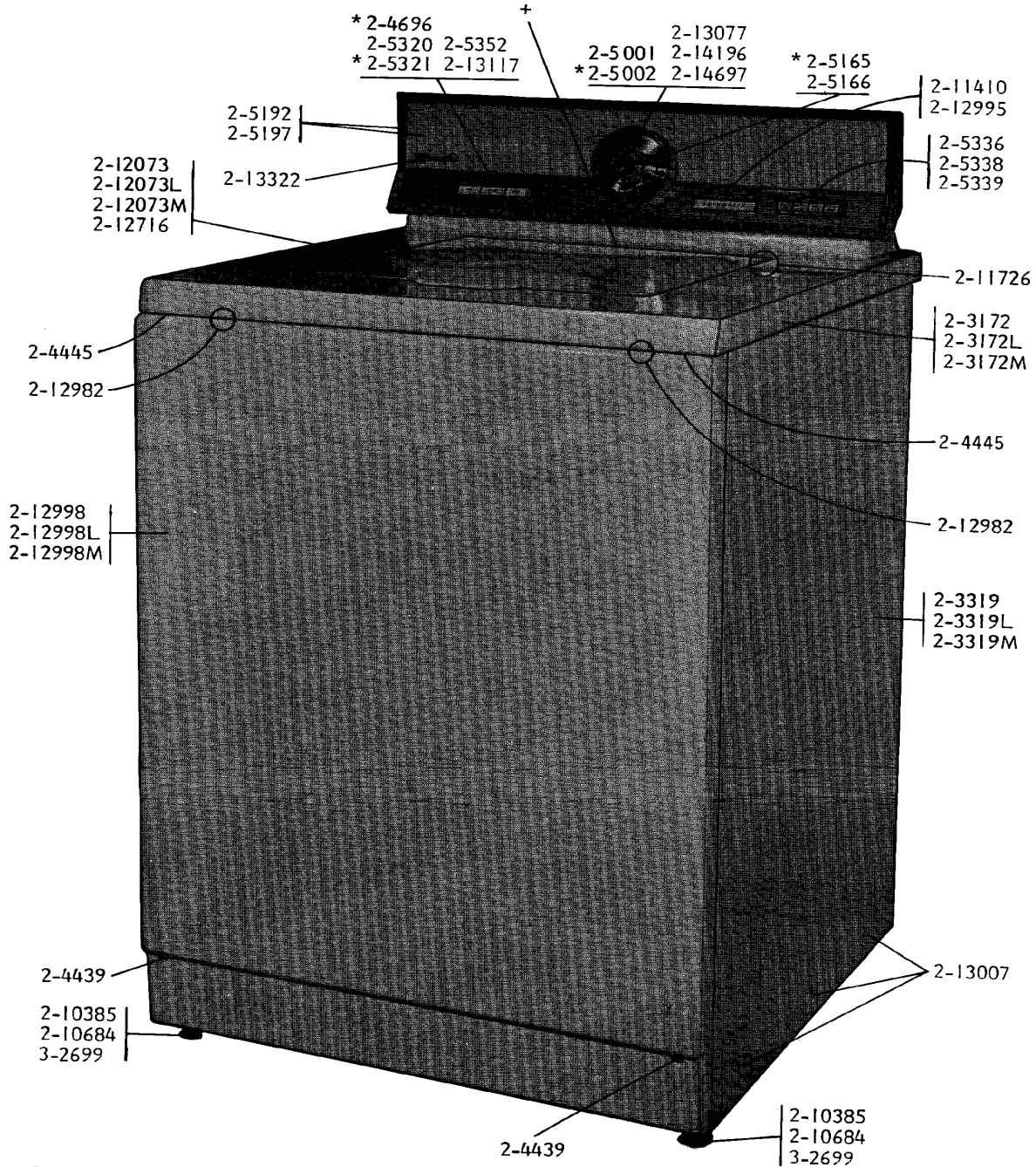
©2005 Maytag Services

Section: FRONT VIEW

Model: GA308

MODELS A308-A308S

FRONT VIEW



*S models only

+For lid switch and unbalance mechanism components see pages 18-19.

Section: FRONT VIEW

No.	Part No.	Description	Series	Qty
3	N 203172M	TOP COVER-HARVEST WHEAT	00	1
6	N 203319M	CABINET-HARVEST WHEAT	00	1
7	204439	SCREW & FSTNER ASSY(FRT.PANEL)	00	2
8	204445	SCREW & FASTENER ASY.	00	2
10	205001	TIMER	00	1
13	N 205166	TIMER DIAL, SUN-GLOW	00	1
14	N 205192	CONTROL PANEL, SUN-GLOW	00	1
15	N 205197	CONTROL PANEL KIT, SUN-GLOW	00	1
16	205320	TEMPERATURE CONTROL SWITCH	00	1
18	205336	WATER LEVEL SWITCH	00	1
19	N 205338	BUTTON KIT FOR 2-5336-1	00	1
20	205339	BUTTON KIT FOR 2-5336	00	1
21	N 205352	BUTTON KIT FOR 2-5320	00	1
22	210385	NUT, LOCK	00	1
23	210684	FOOT, RUBBER	00	1
24	211294	SCREW	00	3
25	N 211410	SCREW, HEX HD #8 X 3/8 INCH	00	1
26	211726	HINGE, BALL	00	2
29	N 212073M	LID-HARVEST WHEAT	00	1
30	212716	BUMPER, LID	00	1
31	212982	FASTENER, PANEL	00	2
32	N 212995	PLUG FOR CONTROL PANEL	00	1
35	N 212998M	FRONT PANEL-HARVEST WHEAT	00	1
36	213007	SCREW, CABINET	00	1
37	213077	CAP FOR TIMER KNOB	00	1
38	213117	SCREW-TEMP. SWITCH TO PANEL	00	1
39	213322	MAYTAG DECAL	00	1
40	213846	GUARD, BELT	00	1
41	214196	TIMER KNOB-CLEAR ACRYLIC	00	1
42	N 214697	EASY-GRIP KNOB	00	1
43	302699	LEG, ADJUSTABLE (W/NUT)	00	1

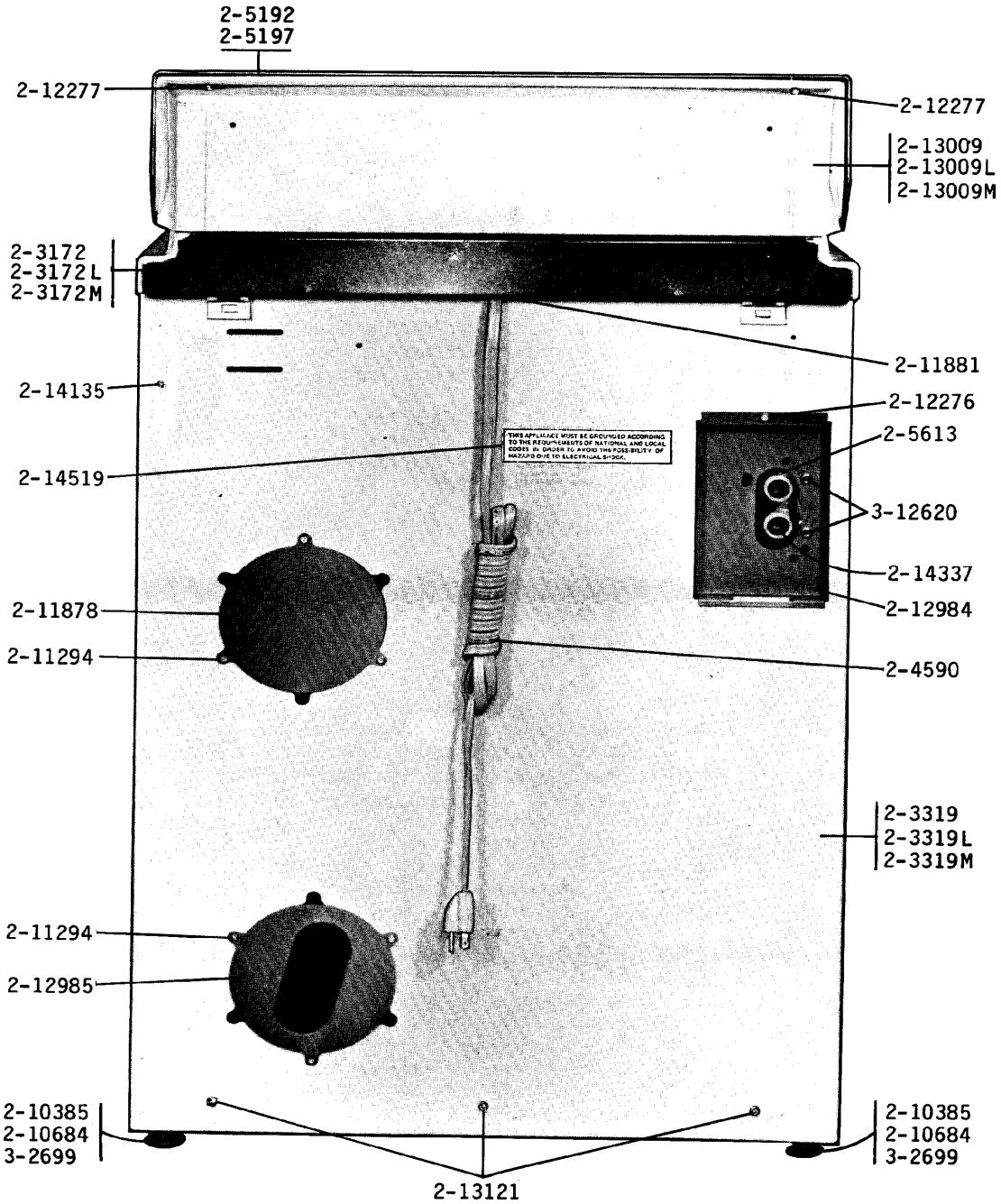
*Color Code (-)=Not Shown #=Series, Serial Prefix or Run No., N=Not Available

Section: REAR VIEW

Model: GA308

MODELS A308-A308S

REAR VIEW



MA44A4

Section: REAR VIEW

No.	Part No.	Description	Series	Qty
1	N 201808	CONVERTER	00	1
4	N 203172M	TOP COVER-HARVEST WHEAT	00	1
7	N 203319M	CABINET-HARVEST WHEAT	00	1
8	204590	POWER CORD	00	1
9	N 205192	CONTROL PANEL, SUN-GLOW	00	1
10	N 205197	CONTROL PANEL KIT, SUN-GLOW	00	1
11	205613	WATER VALVE	00	1
12	210385	NUT, LOCK	00	1
13	210684	FOOT, RUBBER	00	1
14	211294	SCREW	00	1
15	N 211878	PLATE, ACCESS	00	1
16	211881	GROMMET, CORD	00	1
17	212276	SCREW	00	1
18	212277	SCREW, #8 X 1/2 INCH	00	1
19	N 212984	VALVE MOUNTING PLATE	00	1
20	212985	PLATE, ACCESS (W/HOLE)	00	1
23	N 213009M	CONTROL COVER-HARVEST WHEAT	00	1
24	213121	SCREW	00	3
25	214135	FASTENER CLIP	00	1
26	214337	SCREEN, VALVE	00	1
27	214519	LABEL, ELECTRICAL INSTRUCTION	00	1
28	301548	CLAMP, GROUND (W/SCREW)	00	1
29	302699	LEG, ADJUSTABLE (W/NUT)	00	1
30	311155	GROUND WIRE	00	1
31	312620	SEMS SCREW, #10-16 X 1/2"	00	2

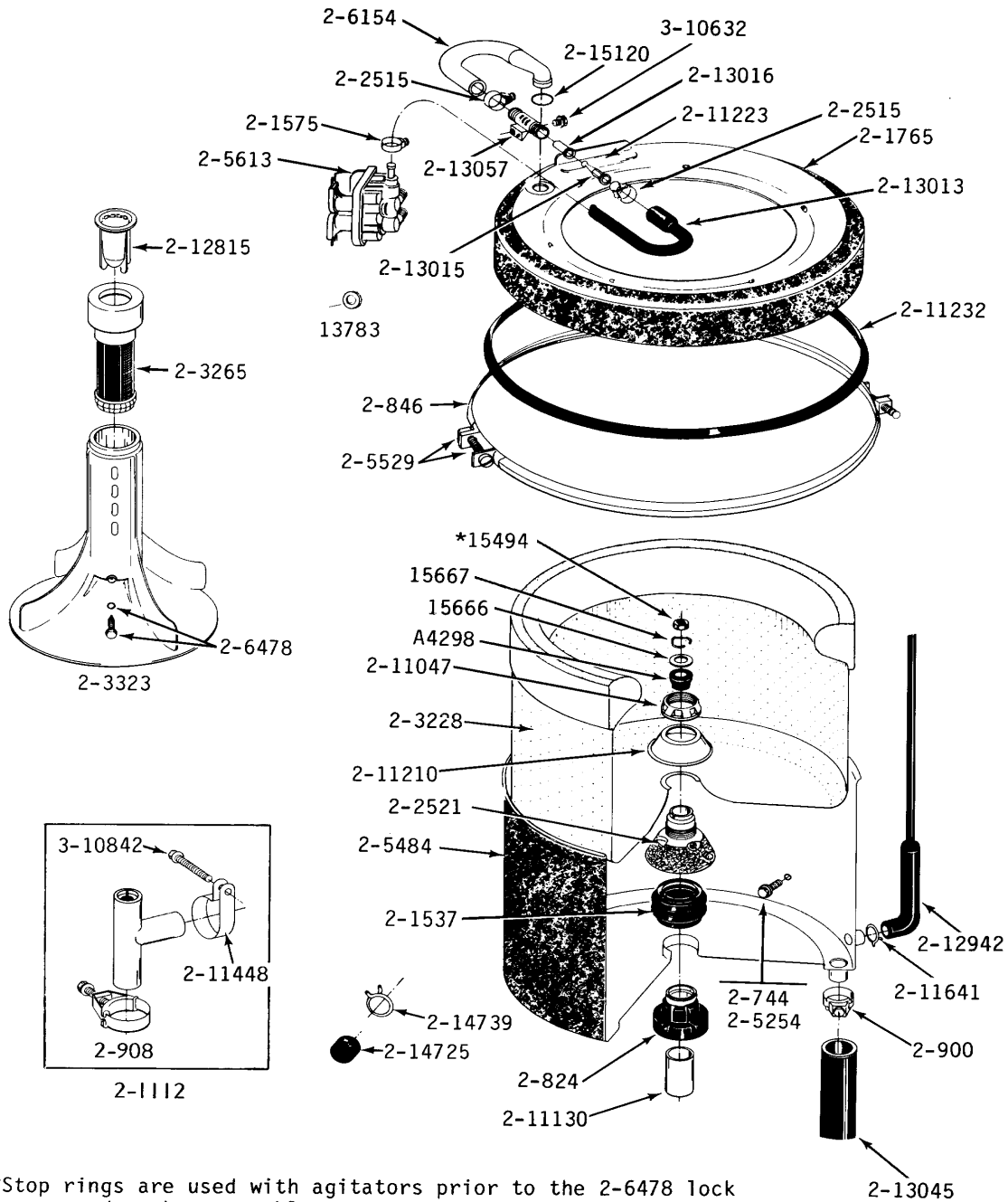
*Color Code (-)=Not Shown #=Series, Serial Prefix or Run No., N=Not Available

Section: TUB, AGITATOR, MTG. STEM, HOSES & CLAMPS

Model: GA308

MODELS A308-A308S

TUB, AGITATOR, MOUNTING STEM, HOSES & CLAMPS



*Stop rings are used with agitators prior to the 2-6478 lock screw and washer assembly.

Section: TUB, AGITATOR, MTG. STEM, HOSES & CLA

No.	Part No.	Description	Series	Qty
1	0A4298	SEAL, AGITATOR DRIVE SHAFT	00	1
2	013783	GASKET, INLET HOSE	00	1
3	014792	COIL SPRING-CENTER SEAL	00	1
4	015149	BRASS WASHER-AGITATOR SEAL	00	1
5	015494	STOP RING-AGITATOR SHAFT	00	1
6	015666	WASHER,RETAINING(CENTER SEAL)-	00	1
7	015667	RETAINING RING	00	1
8	054867	WASHER, LOCK	00	1
9	N 059137	HOSE 31/32" PER FOOT BRANCH ST	00	1
10	059141	CTN. 50 FT. 31/32 DRAIN HOS	00	1
11	200672	INLET HOSE ASSY.	00	1
12	200675	INLET HOSE, COLD 5 FT.	00	1
13	200681	INLET HOSE, HOT 10 FT.	00	1
14	200682	INLET HOSE, COLD 10 FT.	00	1
15	200688	INLET HOSE, HOT 6 FT.	00	1
16	200744	BOLT & GASKET ASSY.(SHORT)	00	1
17	200757	INLET HOSE, HOT 4 FT.	00	1
18	200824	BEARING, TUB	00	1
19	200846	CLAMP - TUB COVER	00	1
20	200900	CLAMP, SPRAY ARM HOSE	00	1
21	200908	HOSE CLAMP - 1-1/2 INCH	00	1
22	201112	SIPHON BREAK KIT	00	1
23	201486	INLET HOSE, HOT 8 FT.	00	1
24	201537	SEAL AND SPRING	00	1
25	201575	HOSE CLAMP	00	1
26	201765	TUB COVER	00	1
27	202515	HOSE CLAMP - 1-1/16 INCH	00	1
28	202521	MOUNTING STEM	00	1
29	202860	INLET HOSE ASSY.	00	1
30	202861	CARTON OF 25 HOSE, 5'	00	1
31	203228	INNER TUB	00	1
32	203265	LINT FILTER-DISPENSER	00	1
33	203323	AGITATOR - TURQUOISE	00	1
34	204012	MOUNTING STEM REPAIR KIT	00	1
35	204013	TUB BEARING REPAIR KIT	00	1
36	205254	BOLT & GASKET ASSEMBLY (LONG)	00	1
37	205484	OUTER TUB	00	1
38	205529	NUT & BOLT KIT FOR TUB CLAM	00	1
39	205613	WATER VALVE	00	1
40	205828	HOSE, INLET ASSY.	00	1
41	206154	INJECTOR TUBE WITH SEAL	00	1
42	206478	SCREW & WASHER FOR AGITATOR	00	1
43	211047	NUT, CLAMPING (INNER TUB)	00	1
44	211100	WASHER, CUSHION	00	1
45	211130	LINER, TUB BEARING	00	1
46	211210	WASHER,CLAMPING NUT(STAINLESS)	00	1
47	211223	UNBALANCE BUMPER	00	1
48	211232	SEAL	00	1
49	211448	CLAMP	00	1
50	211618	SET SCREW, MTG. STEM	00	1
51	211641	CLAMP, 1-1/16"	00	1
52	211704	DRAIN HOSE	00	1
53	212815	DISPENSER CUP	00	1
54	212942	AIR DOME AND TUBE	00	1
55	213013	HOSE, INJECTOR	00	1
56	213015	INJECTOR NOZZLE	00	1

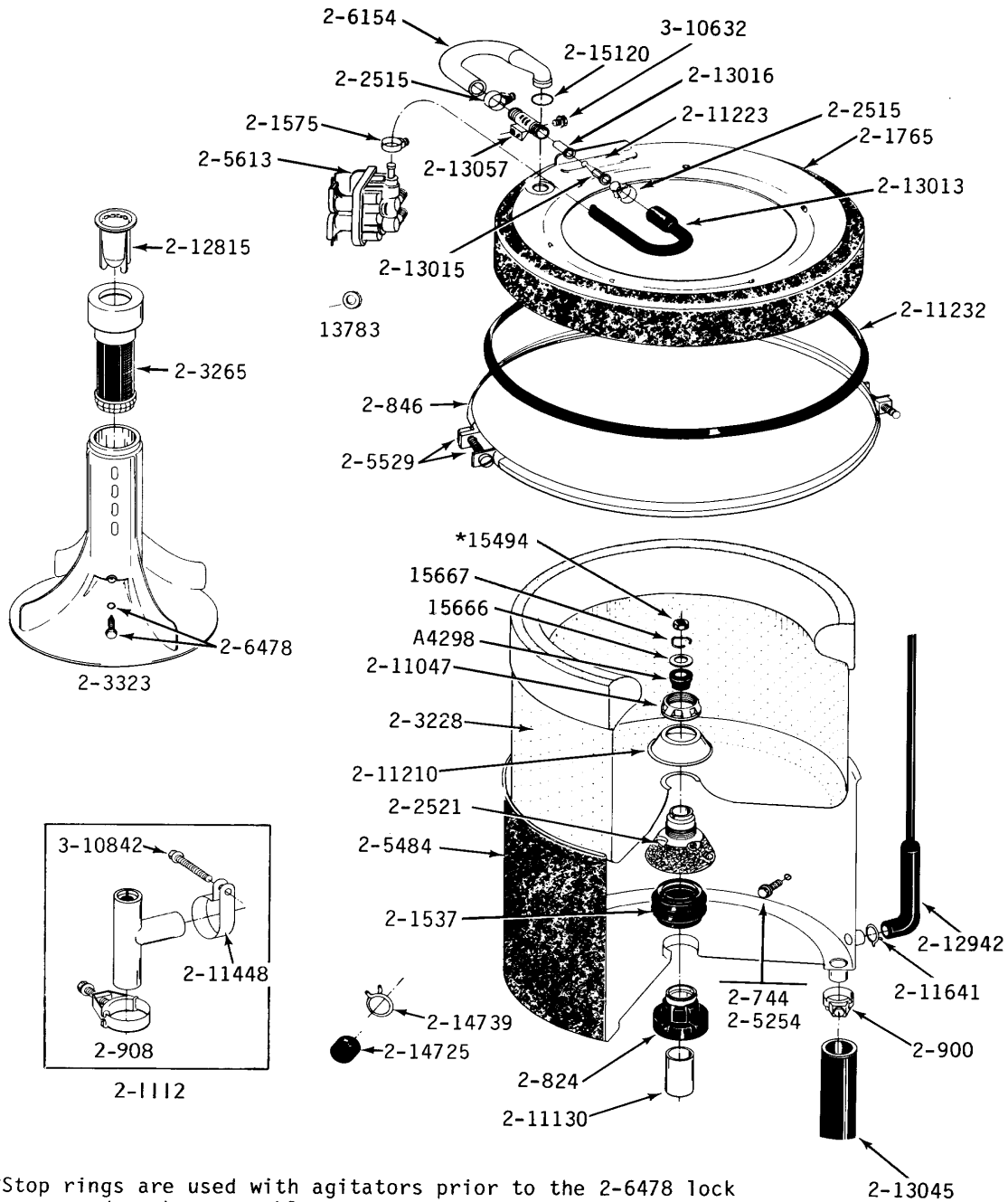
*Color Code (-)=Not Shown #=Series, Serial Prefix or Run No., N=Not Available

Section: TUB, AGITATOR, MTG. STEM, HOSES & CLAMPS

Model: GA308

MODELS A308-A308S

TUB, AGITATOR, MOUNTING STEM, HOSES & CLAMPS



Section: TUB, AGITATOR, MTG. STEM, HOSES & CLA

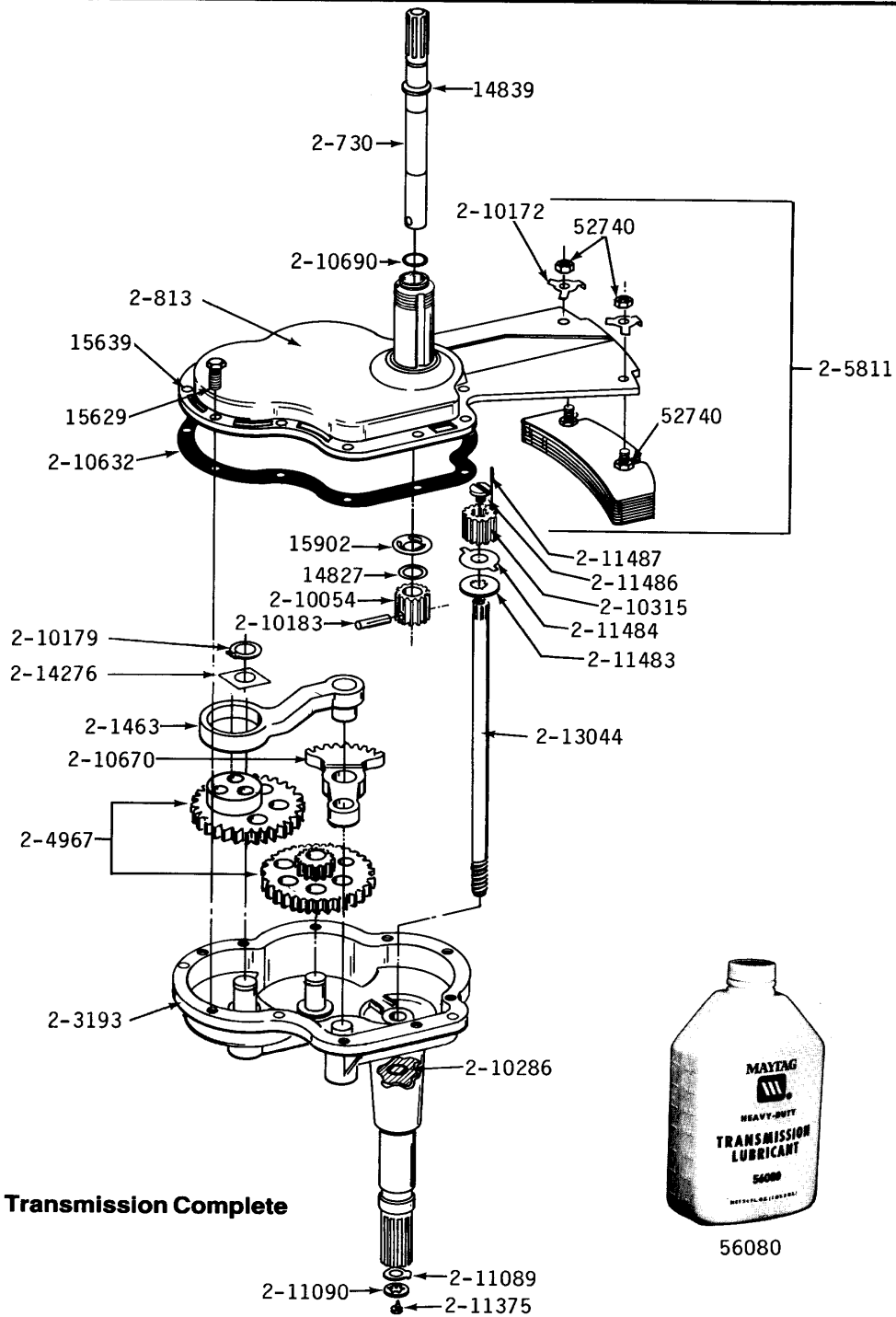
No.	Part No.	Description	Series	Qty
57	213016	VALVE FOR INJECTOR SUB	00	1
58	213045	DRAIN HOSE-TUB TO PUMP	00	1
59	213057	SLEEVE FOR INJECTOR	00	1
60	214725	CAP FOR SPOUT-OUTER TUB	00	1
61	214739	SPRING HOSE CLAMP	00	1
62	215120	SEAL FOR INJECTOR TUBE	00	1
63	310632	SCREW	00	1
64	310842	SCREW	00	1

*Color Code (-)=Not Shown #=Series, Serial Prefix or Run No., N=Not Available

Section: TRANSMISSION

Model: GA308

MODELS A308-A308S **TRANSMISSION**



Section: TRANSMISSION

No.	Part No.	Description	Series	Qty
1	014827	WASHER-CENTER SHAFT	00	1
2	014839	COLLAR-DRIVE SHAFT	00	1
3	015629	BOLT, GRINDING CHAMBER-DRAI	00	1
4	N 015639	DOWEL PIN	00	1
5	015902	SPRING FOR AGITATOR	00	1
6	052740	NUT	00	1
7	056080	TRANS LUBE - AUTO, 34 OZ.	00	1
8	200730	AGITATOR SHAFT	00	1
9	N 200813	GEAR CASE COVER ASSEMBLY	00	1
10	N 201463	PITMAN WITH WRIST PIN	00	1
11	N 203193	GEAR HOUSING W/STUDS & TUBE	00	1
12	203438	TRANS & CENTER ASSM. LG TUB	00	1
13	204967	GEAR KIT-POWER FIN AGITATOR	00	1
14	N 205811	COUNTERWEIGHT	00	1
15	210054	PINION	00	1
16	N 210172	LOCK WASHER	00	1
17	N 210179	RETAINING RING	00	1
18	210183	GROOV-PIN, 1/4 X 1-1/4	00	1
19	210286	SEAL	00	1
20	210315	PINION	00	1
21	210632	GASKET	00	1
22	N 210670	SEGMENT	00	1
23	210690	SEAL, RUBBER	00	1
24	211089	LUG, STOP	00	1
25	211090	WASHER, LOCK	00	1
26	211375	SCREW,STOP LUG(CENTER SHAFT)	00	1
27	211483	WASHER, SPLINED	00	1
28	211484	LUG WASHER	00	1
29	211486	SCREW, 3/8-16 X 1/2 INCH	00	1
30	N 211487	GROOV-PIN	00	1
31	213044	CENTER SHAFT	00	1
32	N 214276	WASHER FOR GEARS	00	1

*Color Code (-)=Not Shown #=Series, Serial Prefix or Run No., N=Not Available

Section: BASE, PUMP, MOTOR & COMPONENTS

No.	Part No.	Description	Series	Qty
1	015408	SCREW, BEARING INSERT	00	1
2	015627	SCREW, HEX HD CAP 5/16 X 5/8	00	1
3	015629	BOLT, GRINDING CHAMBER-DRAI	00	1
4	052734	NUT	00	1
5	052740	NUT	00	1
6	052785	NUT,BRACE TO DAMPER	00	1
7	053241	SET SCREW, PULLEY	00	1
8	054867	WASHER, LOCK	00	1
9	200461	HOSE CLAMP - 1-5/8 INCH	00	1
10	200730	AGITATOR SHAFT	00	1
11	200744	BOLT & GASKET ASSY.(SHORT)	00	1
12	N 200813	GEAR CASE COVER ASSEMBLY	00	1
13	200816	PULLEY, MOTOR (W/SET SCREW)	00	1
14	201805	MOTOR (ONE SPEED)	00	1
15	202203	PUMP AS PAK	00	1
16	202574	CLAMP, HOSE	00	1
17	202718	TENSION SPRINGS	00	1
18	N 203193	GEAR HOUSING W/STUDS & TUBE	00	1
19	203274	BASE WITH DAMPER PADS	00	1
20	203438	TRANS & CENTER ASSM. LG TUB	00	1
21	203725	DAMPER W/BOLT & CLIP	00	1
22	203956	DAMPER PAD KIT (W/POLY LUBE)	00	1
23	204807	GRND.WIRE,SUPP.PLTE TO TOP CVR	00	1
24	204998	GLIDE KIT (4 W/POLY LUBE)	00	1
25	205000	GLIDE & SPRING KIT	00	1
26	205132	SWITCH, MOTOR START Note: SWITCH, MOTOR START-PROD. ID# 2-1664-4, 2-1664-9, 2-1664-10 2-1664-12, & 2-5463-2	00	1
27	N 205133	MOTOR EXTERNAL START SWITCH Note: SWITCH, MOTOR START-PROD. ID# 2-1664-8 & 2-5463	00	1
28	205254	BOLT & GASKET ASSEMBLY (LONG)	00	1
29	N 205811	COUNTERWEIGHT	00	1
30	205908	LOWER MOTOR MOUNT	00	1
31	205999	MOTOR MOUNT ASSM COMPLETE	00	1
32	206505	SWITCH, MOTOR START Note: SWITCH, MOTOR START-PROD. ID# 2-1664-11 & 2-5463-1	00	1
33	N 210172	LOCK WASHER	00	1
34	210186	SCREW, GROUND WIRE TO BASE--NA	00	1
35	210385	NUT, LOCK	00	1
36	210684	FOOT, RUBBER	00	1
37	211028	DEFLECTOR,WATER (DRIVE TUBE)	00	1
38	211100	WASHER, CUSHION	00	1
39	211704	DRAIN HOSE	00	1
40	211880	SCREW, HEX HD #10 X 1/2 INC	00	1
41	211949	NUT, EYEBOLT	00	1
42	212979	WASHER, TUB BRACE	00	1
43	213044	CENTER SHAFT	00	1
44	213045	DRAIN HOSE-TUB TO PUMP	00	1
45	213053	BRACE, TUB	00	1
46	213054	CENTERING SPRING - 3 USED	00	1
47	213073	WASHER, DOUBLE	00	1
48	213120	EYE BOLT FOR CENTER SPRING	00	1
49	213737	MOTOR SHIELD - POLY	00	1
50	214956	MOUNT, MOTOR/UPPER	00	1
51	302699	LEG, ADJUSTABLE (W/NUT)	00	1
52	311426	NUT, WASHERED LOCK	00	1
53	911852	WASHER, LOCK (BRACE)	00	1

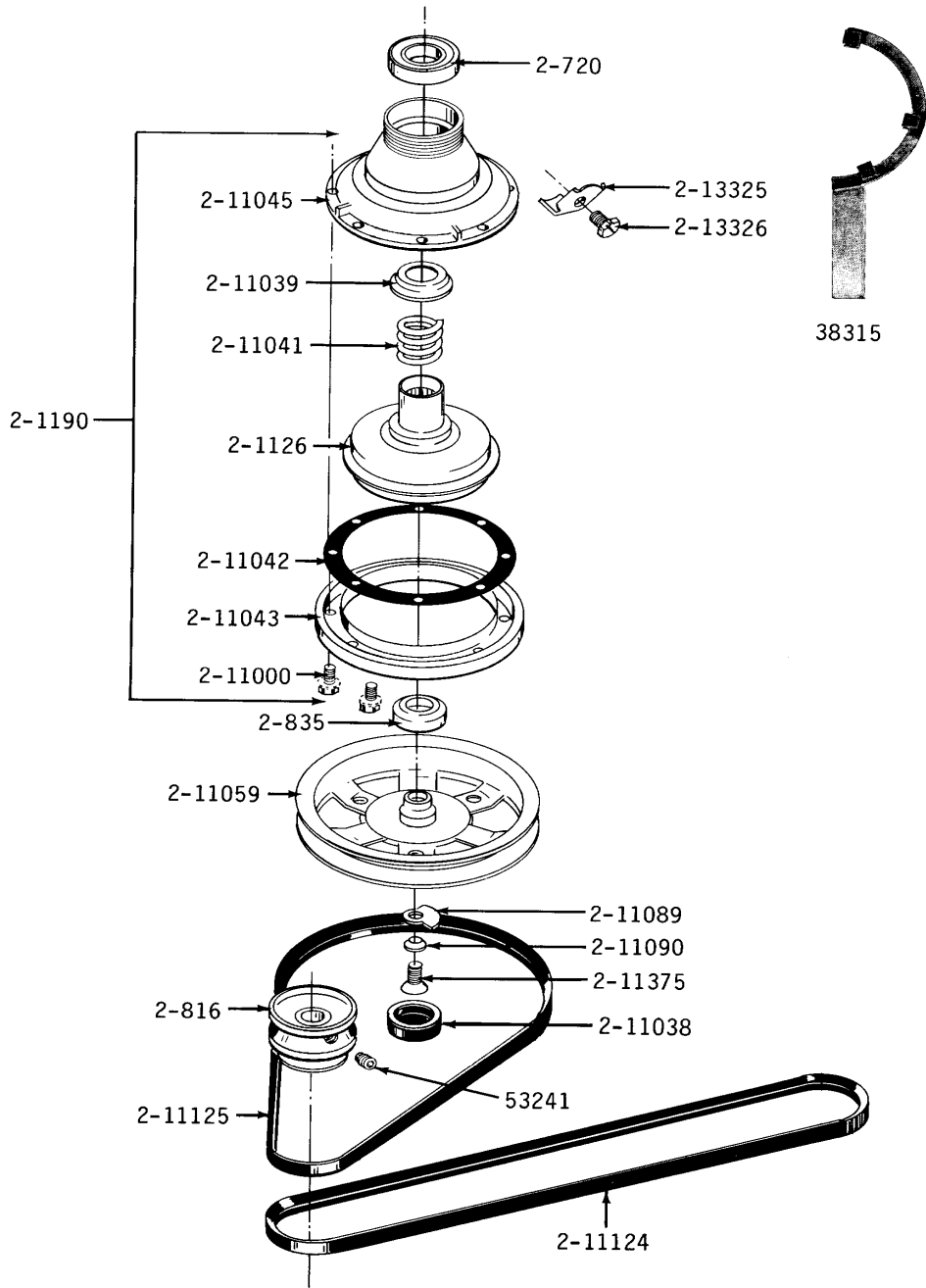
*Color Code (-)=Not Shown #=Series, Serial Prefix or Run No., N=Not Available

Section: CLUTCH, BRAKE & BELTS

Model: GA308

MODELS A308-A308S

CLUTCH, BRAKE & BELTS



Section: CLUTCH, BRAKE & BELTS

No.	Part No.	Description	Series	Qty
1	038315	TOOL, BRAKE PKG ASSY	00	1
2	053241	SET SCREW, PULLEY	00	1
3	200720	BALL BEARING, RADIAL	00	1
4	200816	PULLEY, MOTOR (W/SET SCREW)	00	1
5	200835	BEARING, BRAKE ROTOR	00	1
6	201126	ROTOR, BRAKE (W/FACING)	00	1
7	201190	BRAKE ASSEMBLY	00	1
8	211000	SCREW,HEX HEAD (BRAKE DRUM)	00	1
9	N 211038	CAP, OIL RETAINER	00	1
10	211039	RETAINER, BRAKE SPRING	00	1
11	211041	SPRING, BRAKE	00	1
12	211042	GASKET, BRAKE DRUM	00	1
13	211043	DRUM, BRAKE	00	1
14	211045	HOUSING, BRAKE	00	1
15	211059	PULLEY, DRIVE	00	1
16	211089	LUG, STOP	00	1
17	211090	WASHER, LOCK	00	1
18	211124	V BELT, PUMP	00	1
19	211125	V BELT,DRIVE PULLEY	00	1
20	211375	SCREW,STOP LUG(CENTER SHAFT)	00	1
21	213325	CLIP, RETAINER	00	1
22	213326	SCREW, RETAINING CLIP	00	1

*Color Code (-)=Not Shown #=Series, Serial Prefix or Run No., N=Not Available

Section: ELECTRICAL COMPONENTS

Model: GA308

No image available

NOIMAGE

Section: ELECTRICAL COMPONENTS

No.	Part No.	Description	Series	Qty
1	200832	CAPACITOR	00	1
2	201805	MOTOR (ONE SPEED)	00	1
3	N 203235	WIRE HARNESS - FILL	00	1
4	203237	#17 WIRE WITH TERMINAL	00	1
5	204590	POWER CORD	00	1
6	204968	PLUNGER & BRACKET ASSEMBLY	00	1
7	205001	TIMER	00	1
8	N 205006	MAJOR WIRE HARNESS	00	1
9	205033	TIMER MOTOR 120-60	00	1
10	N 205166	TIMER DIAL, SUN-GLOW	00	1
11	205320	TEMPERATURE CONTROL SWITCH	00	1
12	205336	WATER LEVEL SWITCH	00	1
13	N 205410	TIMER MOTOR 120-60	00	1
14	205415	SWITCH, LID (W/O TUB LIGHT)	00	1
15	205613	WATER VALVE	00	1
16	206103	CAPACITOR KIT	00	1
17	210186	SCREW, GROUND WIRE TO BASE--NA	00	1
18	210866	TWIN SPEED NUT	00	1
19	211065	SPRING, TIMER KNOB	00	1
20	211149	CLIP, CAPACITOR	00	1
21	211500	WASHER,BRACKE TO TOP COVER	00	1
22	211605	RETAINER, TIMER KNOB	00	1
23	211737	WIRE CONNECTOR	00	1
24	211881	GROMMET, CORD	00	1
25	212937	MOISTURE BARRIER	00	1
26	213077	CAP FOR TIMER KNOB	00	1
27	213501	SCREW, #6-20 X 1-1/8 INCH	00	1
28	213718	LID SWITCH PLUNGER	00	1
29	213719	UNBALANCE LEVER	00	1
30	213720	SPRING	00	1
31	214196	TIMER KNOB-CLEAR ACRYLIC	00	1
32	214337	SCREEN, VALVE	00	1
33	301548	CLAMP, GROUND (W/SCREW)	00	1
34	303846	SCREW & WASHER ASSY.	00	1
35	311155	GROUND WIRE	00	1
36	313122	SCREW - BAFFLE TO TUMBLER	00	1
37	N 313262	RETAINER, WIRE HARNESS	00	1
38	910182	SCREW	00	1

*Color Code (-)=Not Shown #=Series, Serial Prefix or Run No., N=Not Available