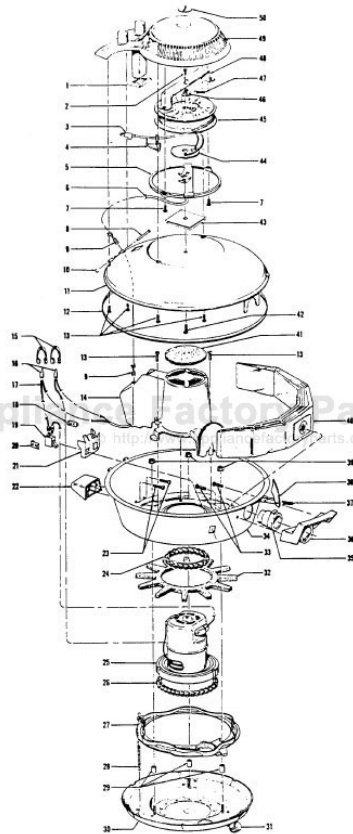


This Owner's Manual is provided and hosted by [Appliance Factory Parts](http://ApplianceFactoryParts.com).



# HOOVER S3003-001 Owner's Manual

[Shop genuine replacement parts for HOOVER  
S3003-001](#)

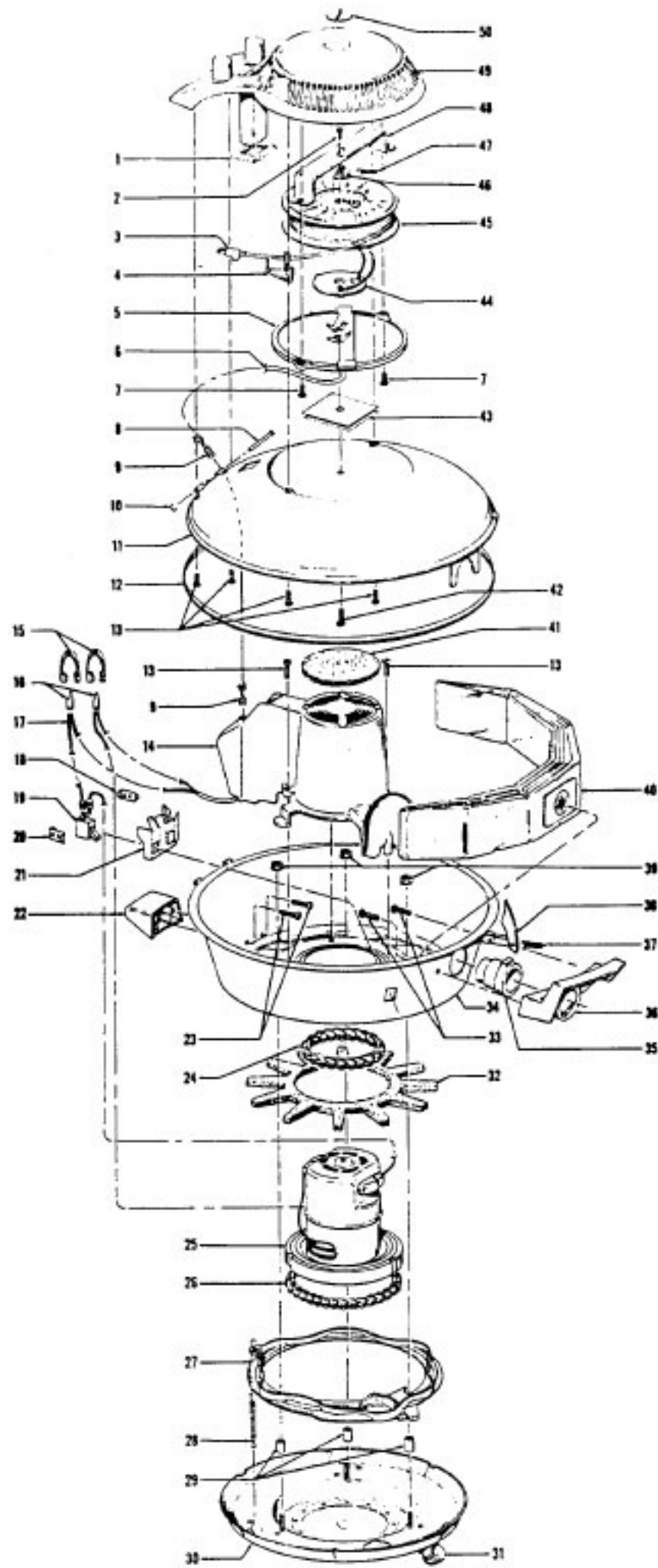


[Find Your HOOVER Vacuum Cleaner Parts - Select From 1456 Models](#)

----- Manual continues below part list -----

## Available Replacement Parts for HOOVER S3003-001

<a href="#">H-4010009H</a>	PAPER BAG, 3 PK
<a href="#">H-43414064</a>	DUSTING BRUSH (ONE PEICE)



## Celebrity

## Models S3003, S3003-001, S3003-030, S3073, S3073-030

Ref. No.	Part No.	Description
1	170334AG	Gasket
2	19765	Screw
3	46383303	Cord
4	170368FN 170368JM	Plug Insert - S3003, S3003-030 Plug Insert
5	47348006	Brush Block Comp.
6	46311001 46313034	Pigtail Cord - S3003, S3003-030 Pigtail Cord
7	17001FW	Screw (2)
8	47938	Pin
9	27482227	Strain Relief (2)
10	48123AV	Ring
11	42211002 42211156 42211157	Upper Shell - S3003, S3003-030 Upper Shell - S3073, S3073-030 Upper Shell - S3003-001
12	170361JM	Furniture Guard
13	12619	Screw (7)
14	170375JM	Motor Cover
15	161881	Terminal Lock (2)
16	48969	Wire Nut (2)
17	170333	Lead Wire - White
18	13313 36131002	Clamp (Metal) Switch Cover - L.H. (Plastic)
19	12971	Switch
20	13312 36131003	Clamp (Metal) Switch Cover - R.H. (Plastic)
21	34353001	Switch Insulation
22	170359FP 170359JX	Rear Rest Pad Rear Rest Pad - S3003-001
23	21447014	Screw (2)
24	169293	Motor Mount - Upper
25	43177001 43177008	Motor Comp. - (P - 25) Motor Comp. - S3073, S3073-030 - (P - 39)
26	169294	Motor Mount - Lower
27	170374JM	lower Valve - S3003-001
28	170339	Spring
29	31721004	Spacer (3)
30	41421311  41421189	Bottom Pan Comp.- S3003, S3003-001, S3003-030 Bottom Pan Comp. - S3073, S3073-030
31	23737202	Caster Wheel Assm. (3)
32	31194005	Muffler
33	166735EF	Screw (2)
34	42213027 42213335	Intermediate Shell Comp. Intermediate Shell Comp. - S3073, S3073-030
35	170352AG	Bag Collar Connector

Ref. No.	Part No.	Description
36	39457006	Handle
37	48512FW	Latch Link Spring
38	16439JX  16439FP 16439EW	Shell Cover Latch - S3003-001, S3073, S3073-030 Shell Cover Latch - S3003, S3003-030 Shell Cover Latch
39	21652003	Hex Nut (3)
40	4010009H	Throw Away Bag (3 Pk.)
41	170332BZ	Secondary Filter
42	21447003	Screw
43	34165002	Brush Block Insulator (2)
44	46831076	Commutator
45	46831015	Cord Reel Comp.
46	19999	Ratchet
47	13268	Detent Spring
48	170343AY	Cord Reel Bracket
49	170367JM	Cord Reel Housing
50	51661008	Medallion

### PACKAGING MATERIAL

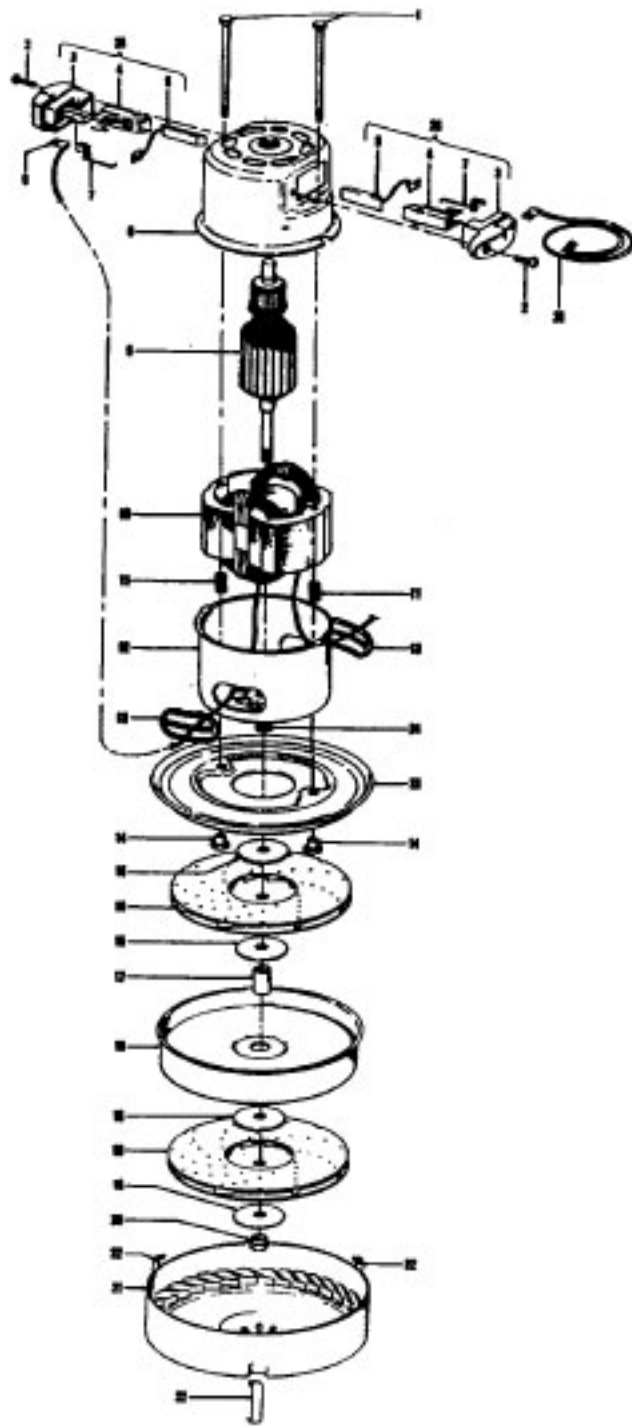
58177022	Carton - S3073
58185091	Carton - S3003, S3003-001, S3003-030
58177031	Carton - S3073-030
58286001	Top Support
58343002	Bottom Support
56513068	Owner Manual

### ITEMS NOT ILLUSTRATED

170351AW	Hinge Leaf Upper (Upper Shell)
----------	--------------------------------

# Motor

Models S3001, S3001-001, S3003, S3003-001, S3003-030



Ref. No.	Part No.	Description
	43177001	Motor Comp.
1	12022	Field Lamination Bolt (2)
2	21429406	Screw (2)
3	168038AG	Brush Housing - Only (2)
4	168506	Brush Holder (2)
5	167679	Carbon Brush Comp. (2)
6	27666551	Terminal
7	38353004	Spring (2)
8	169706	Motor Housing - Upper
9	44765106	Armature Comp.
10	168476	Field Comp.
11	167721FW	Spring (2)
12	41823001	Motor Housing - Lower
13	169702BZ	Lead Wire Bushing (2)
14	167695EF	Nut Special (2)
15	21312774	Washer (2)
16	43566006	Fan Comp.
17	31732003	Spacer
18	169712	Interstage Comp.
19	43566006	Fan Comp.
20	33426001	Nut Special
21	37218005	Diffuser
22	34786002	Spring Clip (3)
23	169713FW	Motor Mounting Plate
24	31148002	Spacer
25	46213001	Lead Wire - White
26	168506	Brush Housing Comp. (2)

## Power Nozzle - Deluxe Quadraflex

## S5651 CVS Kit

Ref. No.	Part No.	Description
1	46321005 46321088 46321109	Attachment Cord - AAP - 4.5 Attachment Cord - AAP Attachment Cord T-Plug (C.V.S. Models)
2	36231094 36231096 36231103 36231111	Furniture Guard - WW Furniture Guard - MY Furniture Guard - MS Furniture Guard - LU
3	48416030	Agitator - 4B
4	163768	Strain Relief
5	21447041	Screw
6	27479307	Wire Tie
7	36131066 36131023 36131044 36131033 36131067	Retainer Hsg. - AAP Retainer Hsg. - MX Retainer Hsg. - MP Retainer Hsg. - ML Retainer Hsg. - AG
8	43461019 43461006 43461007 43461021 43461016 43461018 43461015 43461004	Nozzle Connector - AAP Nozzle Connector - MX Nozzle Connector - MP Nozzle Connector - AG Nozzle Connector - ML Nozzle Connector - AAK Nozzle Connector - MN Nozzle Connector - LZ
9	34112005	Seal
10	34337003	Seal
11	47171020	Lamp Socket
12	36120	Wire Nut
13		Lead Wire Holder
14	42256098 42256101	Duct Cover Duct Cover w/o Headlight
15	34123017	Seal
16	35276001	Detent Spring
17	32175025	Wheel
18	31523005	Shaft
19	32761001	Wheel
20	31522004	Wheel Shaft
21	21447007	Screw
22	42246121	Base Plate Assem.
23	34337004 34378010	Lower Seal Upper Seal
24	13261AY	Rib Shoe
25	36218005	Grommet
26	27317307	Lamp
27	43177073	Motor
28	51865008	Lens Cover Plate
29	27666702	Terminal
30	37258082	Shield
31	281770KD	Switch
32	51151053	Indicator
33	34361001	Switch Actuator
34	42262032	Housing
35	36131017	Retainer
36	38353007	Torsion Spring
37	31523006	Pivot Shaft
38	38458002	Depressor

Ref. No.	Part No.	Description
39	38433067 38433044 38433054	Switch Pedal Switch Pedal Switch Pedal
40	38528011	Belt
41	42252187 42252189 42252181 N/A	Nozzle Body - AAP Nozzle Body - MX Nozzle Body - MP Nozzle Body - ML
42	52125120 51375097	Nameplate - C.V.S. Nameplate - Dimension/Spirit
43	39383080	Lens (Use as blank also)
44	43457036 43457032 43457037 43457012 43457044 43457035 43457031 43457034	Swivel Tube - AAP Swivel Tube - MX Swivel Tube - AG Swivel Tube - MP Swivel Tube - ML Swivel Tube - AAK Swivel Tube - LZ Swivel Tube - MN

### POWER NOZZLE COMPLETE

48438044	PN Dlx. - AG
48438249	PN Dlx. - AG (T-Plug - C.V.S.)
48438024	PN Dlx. - MX

### Agitator #48416030

Ref. No.	Part No.	Description
1	48495AY	Thread Guard
2	43267002	Bearing
3	21347003	Washer
4	36422001	End
5	48445017	Agitator Brush
6	41435018	Thread Guard
7	38537008	End Pulley
8	48418001	Brush Ring
9	31722019	Spacer
10	32724005	Shaft

### CORD ASSEMBLY

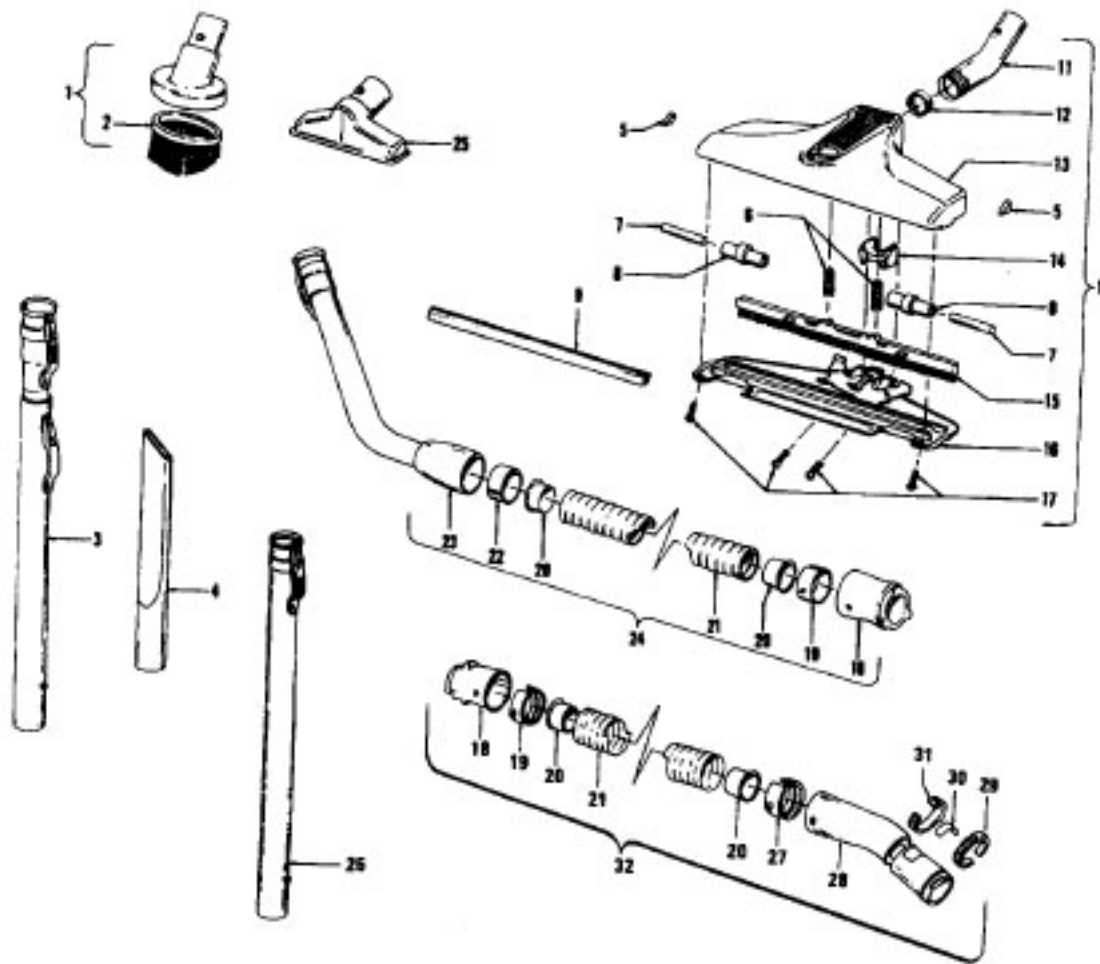
C.V.S. & Dimension units produced past Mar./90 incorporated 2 different styles of cords. Fig. 3 represents the old design and Fig. 4 is the newer design T-plug.

The cords are not interchangeable because the hose grips for each individual type of cord will not accept both type plugs.

See parts list for cord #'s

# Cleaning Tools

# Models S3003, S3003-001, S3003-030 S3073, S3073-030



Ref. No.	Part No.	Description	Ref. No.	Part No.	Description
1	161851JM	Dusting Brush Comp.	17	12955	Screw (4)
	43414064	Dusting Brush (One Piece)	18	32855003	Hose Connector
	13263BZ	Brush (Use w/161851JM)	19	12615BZ	Hose Connector Collar
3	43458001	Extension Wand	20	32156010	Hose Sleeve (2)
4	38617017	Crevice Tool	21	43434213	Hose Complete
	13261AY	Rib Shoe (2)	22	12704BZ	Hose Grip Collar
6	15963FW	Spring (2)	23	43466044	Hose Grip - AAP S/C
7	13272	Roller Shaft (2)	24	43434003	Hose Assm. (All except - S3003-030, S3073-030) (Use 43434191)
8	13157AG	Roller (2)	25	43414057	Furniture Nozzle Assm.
9	13259PH	Litter Picker	26	43453027	Ext. Tube - S3003-030, S3073-030
10	43414101	Rug & Floor Nozzle Comp.	27	36116006	Hose Connector Collar
11	13156T	Nozzle Connector Tube - S3003	28	43466044	Hose Grip - AAP S/C
	43463012	Nozzle Connector Tube	29	36153009	Latch Ring
12	13267	Gasket	30	51869006	Hose Connector Label
13	35615031	Rug & Floor Nozzle Only - S3003	31	38711006	Suction Control Ring
	38615156	Rug & Floor Nozzle Only	32	43434191	Hose Comp. - S3003-030, S3073-030
14	161413	Retainer			
15	16184	Brush Back Assm.			
16	42246002	Bottom Plate - Edge Cleaning			