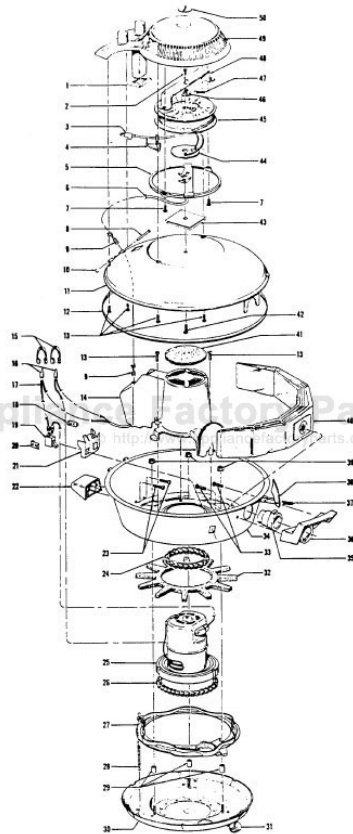


This Owner's Manual is provided and hosted by [Appliance Factory Parts](http://ApplianceFactoryParts.com).



HOOVER S3003-030 Owner's Manual

[Shop genuine replacement parts for HOOVER
S3003-030](#)

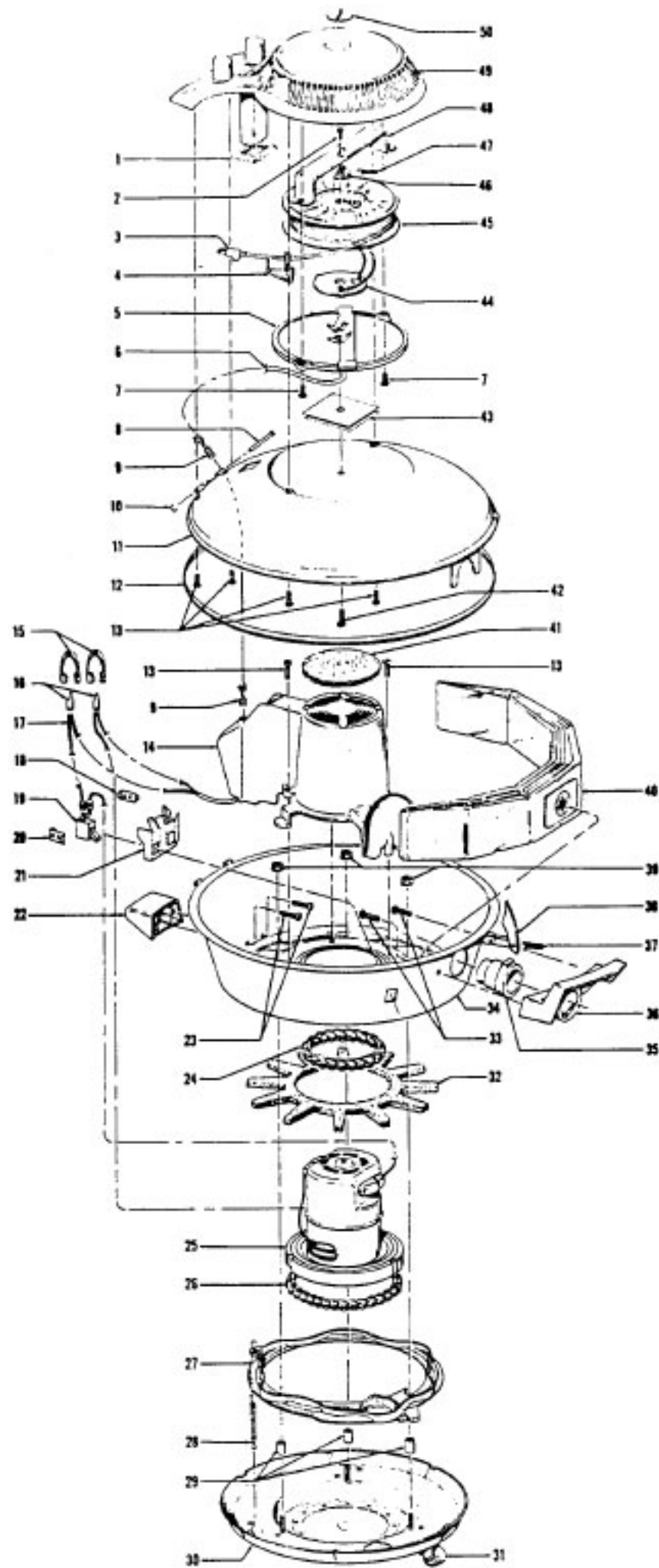


[Find Your HOOVER Vacuum Cleaner Parts - Select From 1456 Models](#)

----- Manual continues below part list -----

Available Replacement Parts for HOOVER S3003-030

| | |
|----------------------------|---------------------------|
| H-4010009H | PAPER BAG, 3 PK |
| H-43414064 | DUSTING BRUSH (ONE PEICE) |



Celebrity

Models S3003, S3003-001, S3003-030, S3073, S3073-030

| Ref. No. | Part No. | Description |
|----------|----------|---|
| 1 | 170334AG | Gasket |
| 2 | 19765 | Screw |
| 3 | 46383303 | Cord |
| 4 | 170368FN | Plug Insert - S3003, S3003-030 |
| | 170368JM | Plug Insert |
| 5 | 47348006 | Brush Block Comp. |
| 6 | 46311001 | Pigtail Cord - S3003, S3003-030 |
| | 46313034 | Pigtail Cord |
| 7 | 17001FW | Screw (2) |
| 8 | 47938 | Pin |
| 9 | 27482227 | Strain Relief (2) |
| 10 | 48123AV | Ring |
| 11 | 42211002 | Upper Shell - S3003, S3003-030 |
| | 42211156 | Upper Shell - S3073, S3073-030 |
| | 42211157 | Upper Shell - S3003-001 |
| 12 | 170361JM | Furniture Guard |
| 13 | 12619 | Screw (7) |
| 14 | 170375JM | Motor Cover |
| 15 | 161881 | Terminal Lock (2) |
| 16 | 48969 | Wire Nut (2) |
| 17 | 170333 | Lead Wire - White |
| 18 | 13313 | Clamp (Metal) |
| | 36131002 | Switch Cover - L.H. (Plastic) |
| 19 | 12971 | Switch |
| 20 | 13312 | Clamp (Metal) |
| | 36131003 | Switch Cover - R.H. (Plastic) |
| 21 | 34353001 | Switch Insulation |
| 22 | 170359FP | Rear Rest Pad |
| | 170359JX | Rear Rest Pad - S3003-001 |
| 23 | 21447014 | Screw (2) |
| 24 | 169293 | Motor Mount - Upper |
| 25 | 43177001 | Motor Comp. - (P - 25) |
| | 43177008 | Motor Comp. - S3073, S3073-030 - (P - 39) |
| 26 | 169294 | Motor Mount - Lower |
| 27 | 170374JM | lower Valve - S3003-001 |
| 28 | 170339 | Spring |
| 29 | 31721004 | Spacer (3) |
| 30 | 41421311 | Bottom Pan Comp.- S3003, S3003-001, S3003-030 |
| | 41421189 | Bottom Pan Comp. - S3073, S3073-030 |
| 31 | 23737202 | Caster Wheel Assm. (3) |
| 32 | 31194005 | Muffler |
| 33 | 166735EF | Screw (2) |
| 34 | 42213027 | Intermediate Shell Comp. |
| | 42213335 | Intermediate Shell Comp. - S3073, S3073-030 |
| 35 | 170352AG | Bag Collar Connector |

| Ref. No. | Part No. | Description |
|----------|----------|---|
| 36 | 39457006 | Handle |
| 37 | 48512FW | Latch Link Spring |
| 38 | 16439JX | Shell Cover Latch - S3003-001, S3073, S3073-030 |
| | 16439FP | Shell Cover Latch - S3003, S3003-030 |
| | 16439EW | Shell Cover Latch |
| 39 | 21652003 | Hex Nut (3) |
| 40 | 4010009H | Throw Away Bag (3 Pk.) |
| 41 | 170332BZ | Secondary Filter |
| 42 | 21447003 | Screw |
| 43 | 34165002 | Brush Block Insulator (2) |
| 44 | 46831076 | Commutator |
| 45 | 46831015 | Cord Reel Comp. |
| 46 | 19999 | Ratchet |
| 47 | 13268 | Detent Spring |
| 48 | 170343AY | Cord Reel Bracket |
| 49 | 170367JM | Cord Reel Housing |
| 50 | 51661008 | Medallion |

PACKAGING MATERIAL

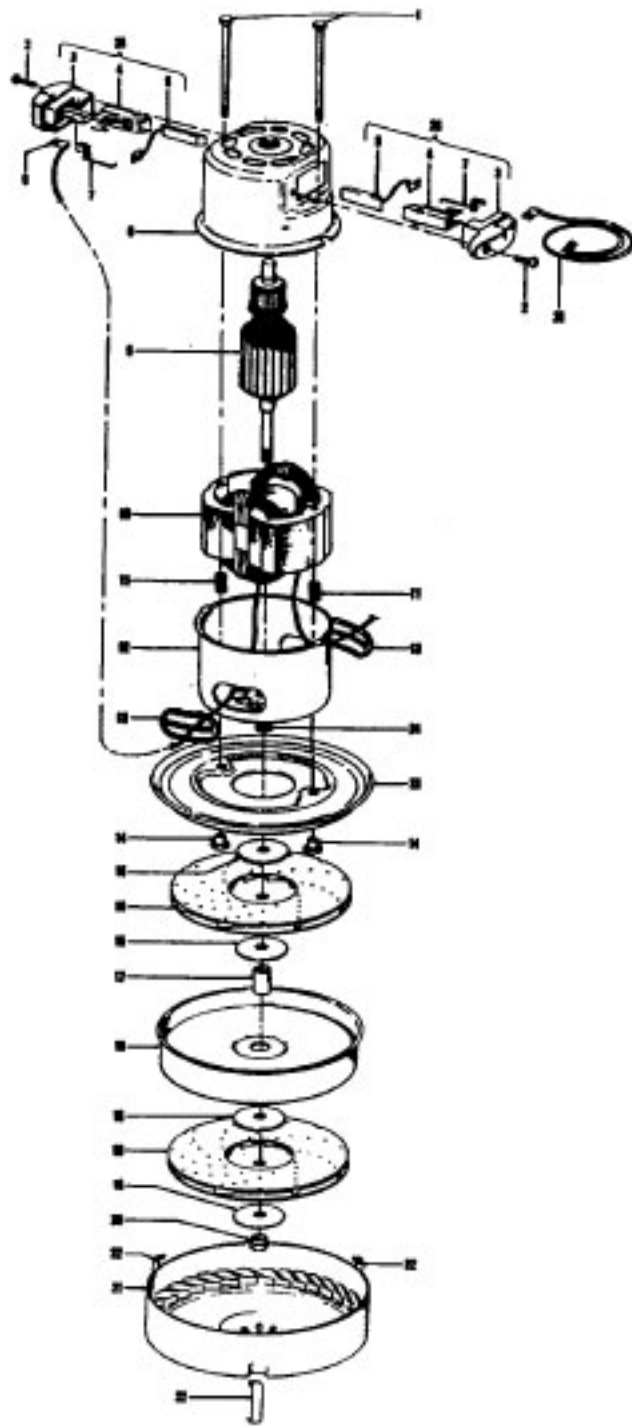
| | |
|----------|--------------------------------------|
| 58177022 | Carton - S3073 |
| 58185091 | Carton - S3003, S3003-001, S3003-030 |
| 58177031 | Carton - S3073-030 |
| 58286001 | Top Support |
| 58343002 | Bottom Support |
| 56513068 | Owner Manual |

ITEMS NOT ILLUSTRATED

| | |
|----------|--------------------------------|
| 170351AW | Hinge Leaf Upper (Upper Shell) |
|----------|--------------------------------|

Motor

Models S3001, S3001-001, S3003, S3003-001, S3003-030



| Ref. No. | Part No. | Description |
|----------|----------|---------------------------|
| | 43177001 | Motor Comp. |
| 1 | 12022 | Field Lamination Bolt (2) |
| 2 | 21429406 | Screw (2) |
| 3 | 168038AG | Brush Housing - Only (2) |
| 4 | 168506 | Brush Holder (2) |
| 5 | 167679 | Carbon Brush Comp. (2) |
| 6 | 27666551 | Terminal |
| 7 | 38353004 | Spring (2) |
| 8 | 169706 | Motor Housing - Upper |
| 9 | 44765106 | Armature Comp. |
| 10 | 168476 | Field Comp. |
| 11 | 167721FW | Spring (2) |
| 12 | 41823001 | Motor Housing - Lower |
| 13 | 169702BZ | Lead Wire Bushing (2) |
| 14 | 167695EF | Nut Special (2) |
| 15 | 21312774 | Washer (2) |
| 16 | 43566006 | Fan Comp. |
| 17 | 31732003 | Spacer |
| 18 | 169712 | Interstage Comp. |
| 19 | 43566006 | Fan Comp. |
| 20 | 33426001 | Nut Special |
| 21 | 37218005 | Diffuser |
| 22 | 34786002 | Spring Clip (3) |
| 23 | 169713FW | Motor Mounting Plate |
| 24 | 31148002 | Spacer |
| 25 | 46213001 | Lead Wire - White |
| 26 | 168506 | Brush Housing Comp. (2) |

Power Nozzle - Deluxe Quadraflex

S5651 CVS Kit

| Ref. No. | Part No. | Description |
|----------|--|--|
| 1 | 46321005 46321088 46321109 | Attachment Cord - AAP - 4.5 Attachment Cord - AAP Attachment Cord T-Plug (C.V.S. Models) |
| 2 | 36231094 36231096 36231103 36231111 | Furniture Guard - WW Furniture Guard - MY Furniture Guard - MS Furniture Guard - LU |
| 3 | 48416030 | Agitator - 4B |
| 4 | 163768 | Strain Relief |
| 5 | 21447041 | Screw |
| 6 | 27479307 | Wire Tie |
| 7 | 36131066 36131023 36131044 36131033 36131067 | Retainer Hsg. - AAP Retainer Hsg. - MX Retainer Hsg. - MP Retainer Hsg. - ML Retainer Hsg. - AG |
| 8 | 43461019 43461006 43461007 43461021 43461016 43461018 43461015 43461004 | Nozzle Connector - AAP Nozzle Connector - MX Nozzle Connector - MP Nozzle Connector - AG Nozzle Connector - ML Nozzle Connector - AAK Nozzle Connector - MN Nozzle Connector - LZ |
| 9 | 34112005 | Seal |
| 10 | 34337003 | Seal |
| 11 | 47171020 | Lamp Socket |
| 12 | 36120 | Wire Nut |
| 13 | | Lead Wire Holder |
| 14 | 42256098 42256101 | Duct Cover Duct Cover w/o Headlight |
| 15 | 34123017 | Seal |
| 16 | 35276001 | Detent Spring |
| 17 | 32175025 | Wheel |
| 18 | 31523005 | Shaft |
| 19 | 32761001 | Wheel |
| 20 | 31522004 | Wheel Shaft |
| 21 | 21447007 | Screw |
| 22 | 42246121 | Base Plate Assem. |
| 23 | 34337004 34378010 | Lower Seal Upper Seal |
| 24 | 13261AY | Rib Shoe |
| 25 | 36218005 | Grommet |
| 26 | 27317307 | Lamp |
| 27 | 43177073 | Motor |
| 28 | 51865008 | Lens Cover Plate |
| 29 | 27666702 | Terminal |
| 30 | 37258082 | Shield |
| 31 | 281770KD | Switch |
| 32 | 51151053 | Indicator |
| 33 | 34361001 | Switch Actuator |
| 34 | 42262032 | Housing |
| 35 | 36131017 | Retainer |
| 36 | 38353007 | Torsion Spring |
| 37 | 31523006 | Pivot Shaft |
| 38 | 38458002 | Depressor |

| Ref. No. | Part No. | Description |
|----------|--|--|
| 39 | 38433067 38433044 38433054 | Switch Pedal Switch Pedal Switch Pedal |
| 40 | 38528011 | Belt |
| 41 | 42252187 42252189 42252181 N/A | Nozzle Body - AAP Nozzle Body - MX Nozzle Body - MP Nozzle Body - ML |
| 42 | 52125120 51375097 | Nameplate - C.V.S. Nameplate - Dimension/Spirit |
| 43 | 39383080 | Lens (Use as blank also) |
| 44 | 43457036 43457032 43457037 43457012 43457044 43457035 43457031 43457034 | Swivel Tube - AAP Swivel Tube - MX Swivel Tube - AG Swivel Tube - MP Swivel Tube - ML Swivel Tube - AAK Swivel Tube - LZ Swivel Tube - MN |

POWER NOZZLE COMPLETE

| | |
|----------|--------------------------------|
| 48438044 | PN Dlx. - AG |
| 48438249 | PN Dlx. - AG (T-Plug - C.V.S.) |
| 48438024 | PN Dlx. - MX |

Agitator #48416030

| Ref. No. | Part No. | Description |
|----------|----------|----------------|
| 1 | 48495AY | Thread Guard |
| 2 | 43267002 | Bearing |
| 3 | 21347003 | Washer |
| 4 | 36422001 | End |
| 5 | 48445017 | Agitator Brush |
| 6 | 41435018 | Thread Guard |
| 7 | 38537008 | End Pulley |
| 8 | 48418001 | Brush Ring |
| 9 | 31722019 | Spacer |
| 10 | 32724005 | Shaft |

CORD ASSEMBLY

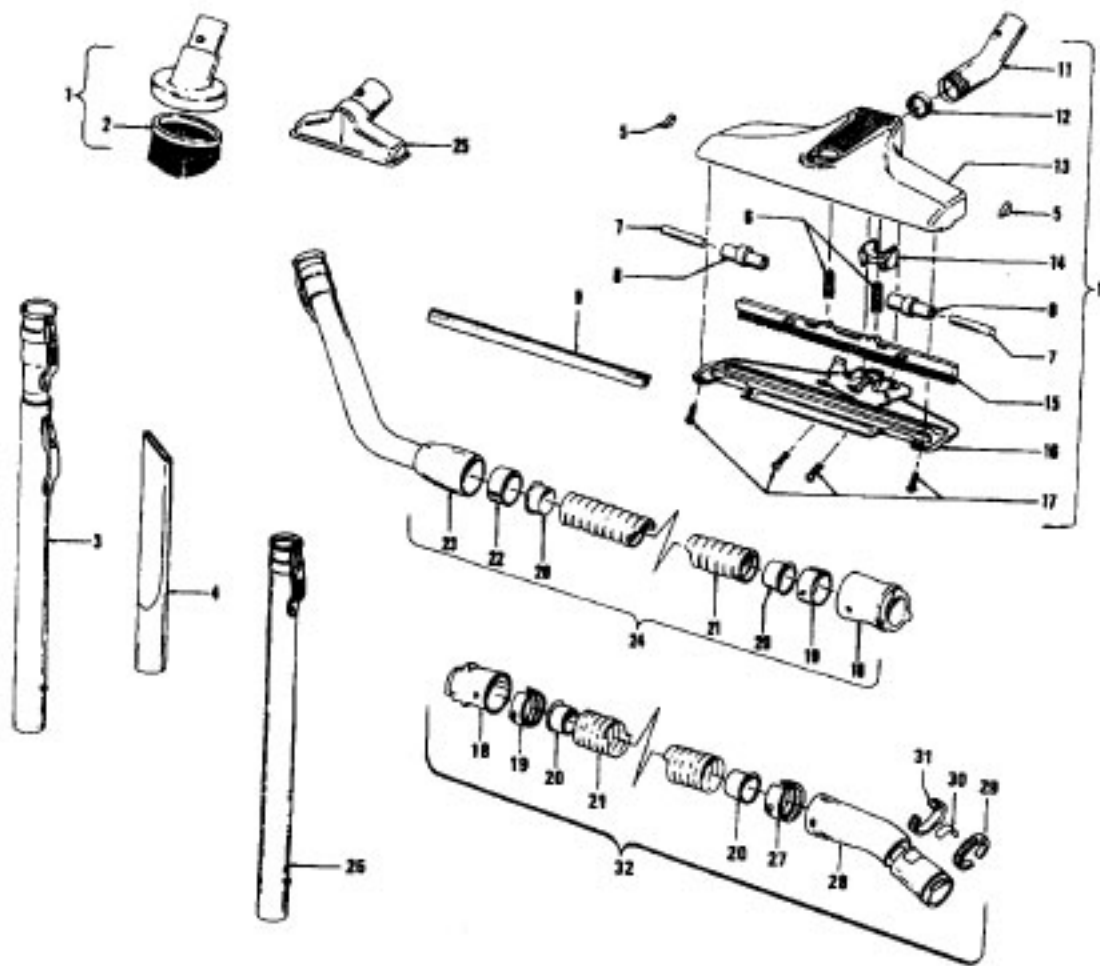
C.V.S. & Dimension units produced past Mar./90 incorporated 2 different styles of cords. Fig. 3 represents the old design and Fig. 4 is the newer design T-plug.

The cords are not interchangeable because the hose grips for each individual type of cord will not accept both type plugs.

See parts list for cord #'s

Cleaning Tools

Models S3003, S3003-001, S3003-030 S3073, S3073-030



| Ref. No. | Part No. | Description | Ref. No. | Part No. | Description |
|----------|----------|---------------------------------|----------|----------|---|
| 1 | 161851JM | Dusting Brush Comp. | 17 | 12955 | Screw (4) |
| | 43414064 | Dusting Brush (One Piece) | 18 | 32855003 | Hose Connector |
| | 13263BZ | Brush (Use w/161851JM) | 19 | 12615BZ | Hose Connector Collar |
| 3 | 43458001 | Extension Wand | 20 | 32156010 | Hose Sleeve (2) |
| 4 | 38617017 | Crevice Tool | 21 | 43434213 | Hose Complete |
| | 13261AY | Rib Shoe (2) | 22 | 12704BZ | Hose Grip Collar |
| 6 | 15963FW | Spring (2) | 23 | 43466044 | Hose Grip - AAP S/C |
| 7 | 13272 | Roller Shaft (2) | 24 | 43434003 | Hose Assm. (All except - S3003-030, S3073-030) (Use 43434191) |
| 8 | 13157AG | Roller (2) | 25 | 43414057 | Furniture Nozzle Assm. |
| 9 | 13259PH | Litter Picker | 26 | 43453027 | Ext. Tube - S3003-030, S3073-030 |
| 10 | 43414101 | Rug & Floor Nozzle Comp. | 27 | 36116006 | Hose Connector Collar |
| 11 | 13156T | Nozzle Connector Tube - S3003 | 28 | 43466044 | Hose Grip - AAP S/C |
| | 43463012 | Nozzle Connector Tube | 29 | 36153009 | Latch Ring |
| 12 | 13267 | Gasket | 30 | 51869006 | Hose Connector Label |
| 13 | 35615031 | Rug & Floor Nozzle Only - S3003 | 31 | 38711006 | Suction Control Ring |
| | 38615156 | Rug & Floor Nozzle Only | 32 | 43434191 | Hose Comp. - S3003-030, S3073-030 |
| 14 | 161413 | Retainer | | | |
| 15 | 16184 | Brush Back Assm. | | | |
| 16 | 42246002 | Bottom Plate - Edge Cleaning | | | |