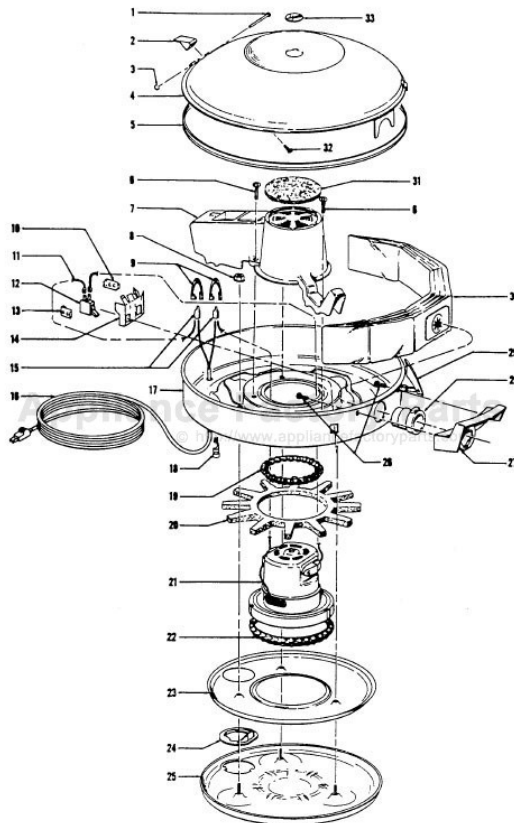


This Owner's Manual is provided and hosted by [Appliance Factory Parts](#).



HOOVER S3005-020 Owner's Manual

[Shop genuine replacement parts for HOOVER
S3005-020](#)



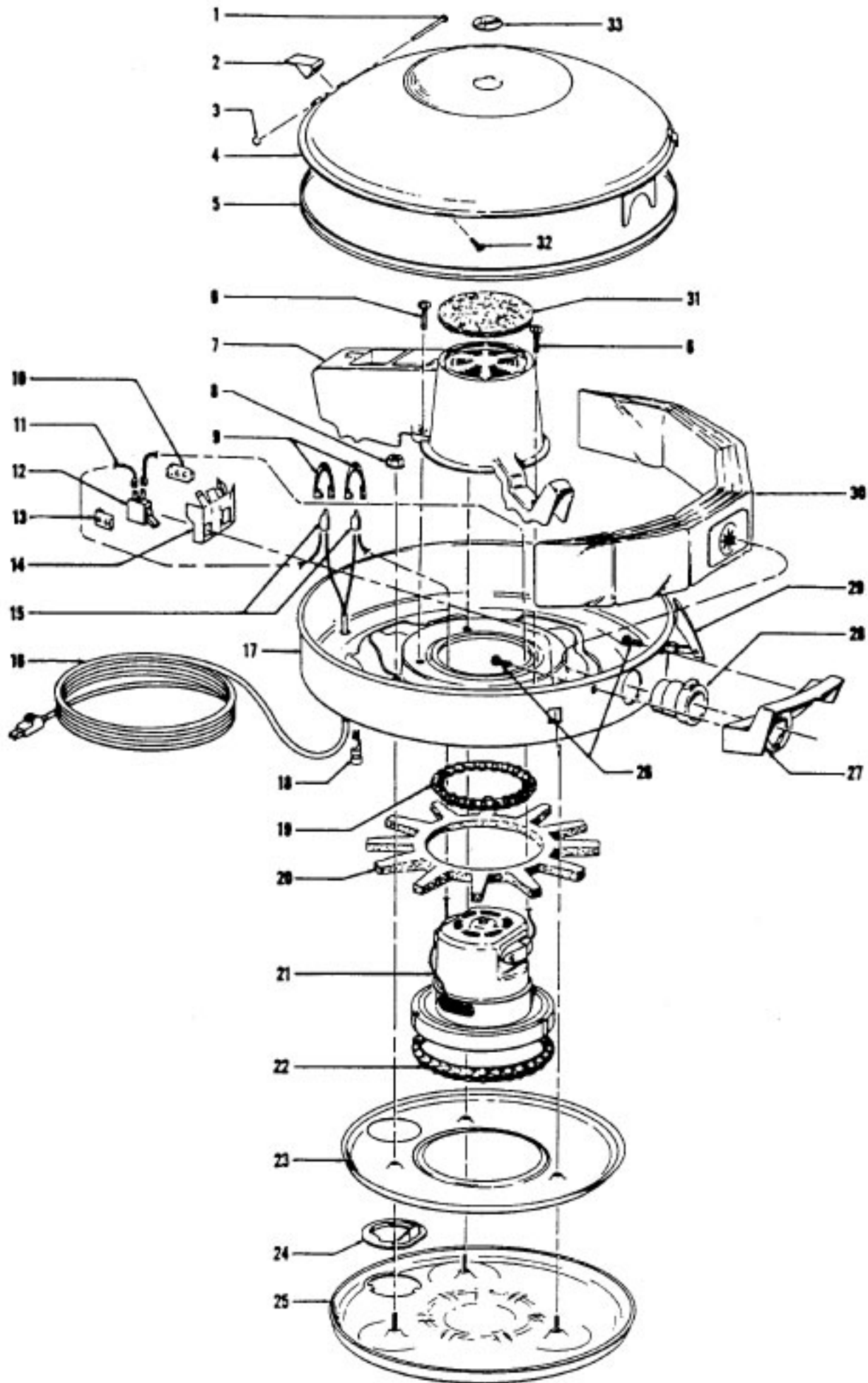
[Find Your HOOVER Vacuum Cleaner Parts - Select From 1456 Models](#)

----- Manual continues below part list -----

Available Replacement Parts for HOOVER S3005-020

[H-4010009H](#)

PAPER BAG, 3 PK



Celebrity

Models S3005, S3005-001, S3005-020, S3005-030, S3159, S3167

Ref. No.	Part No.	Description
1	47938	Pin
2	170362JM	Cord Clip
3	48123	Ring
4	42211161	Upper Shell - EW
	42211059	Upper Shell - EW - S3159
	42211048	Upper Shell - JX - S3167
5	170361JM	Furniture Guard
6	17001FW	Screw (3)
7	170377JM	Motor Cover
8	21652003	Nut - Hex (3)
9	161881	Terminal Lock (2)
10	13312	Switch Retaining Clamp (Metal)
	36131003	Switch Cover - R.H. (Plastic)
11	170333	Lead Wire - White
12	12971	Switch
13	13313	Switch Retaining Clamp (Metal)
	36131002	Switch Cover - L.H. (Plastic)
14	34353001	Switch Insulation
15	48969	Wire Nut (2)
16	46363195	Cord
17	42213038	Intermediate Shell - JJ
	42213040	Intermediate Shell - JR
18	27482227	Strain Relief Bushing
	27482120	Strain Relief Bushing - S3005-001
19	169293	Motor Mount - Upper
20	31194005	Muffler

Ref. No.	Part No.	Description
21	43177008	Motor - (P - 39)
22	169294	Motor Mount - Lower
23	37215097	Intake Pan
24	170382JM	Blower Adapter
25	41421189	Bottom Pan - JR - S3159
	41421122	Bottom Pan - JJ
26	166735EF	Screw (2)
27	39457006	Handle
28	170352AG	Bag Collar Connector
29	16439JX	Shell Cover Latch
30	4010009H	Throw Away Bag (3 Pk.)
31	170332BZ	Secondary Filter
32	13533	Screw (Cord Clip)
33	51661008	Medallion

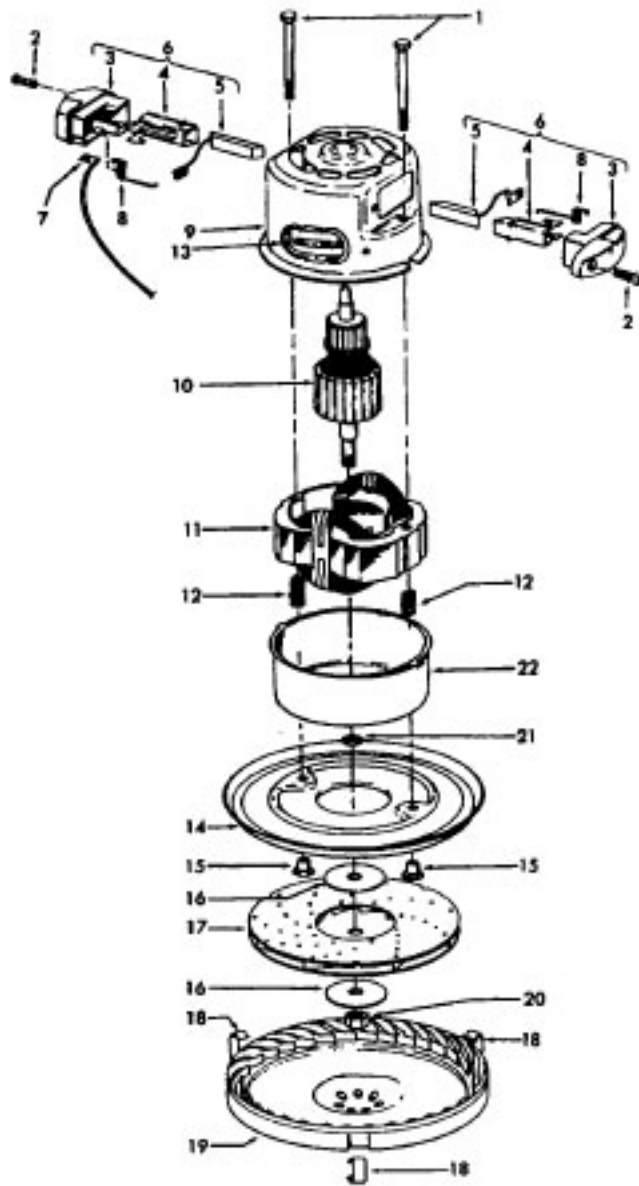
PACKAGING MATERIAL

58177087	Carton
58259001	Top Support
58271001	Bottom Support
56513006	Owner Manual
56613109	Owner Manual - S3159

ITEMS NOT ILLUSTRATED

170351AW	Hinge Leaf Upper (Upper Shell)
----------	--------------------------------

S3073, S3073-030, S3079, S3079-030, S3079-035, S3081,
 S3083, S3083-030, S3093, S3121, S3123, S3125, S3125-030,
 S3127, S3131, S3131-030, S3133, S3135, S3147, S3149, S3159
 S3161, S3165, S3167, S3169, S3215



Ref. No.	Part No.	Description
1	33421004	Field Lamination Bolt
2	21429406	Screw
3	167696AG	Brush Housing - Only
4	N/A	Brush Holder - Use Brush Carrier Assem. 47318008 It. 6.
5	167681	Carbon Brush & Terminal
6	47318008	Brush Housing - Comp.
7	27666551	Terminal
8	38353004	Spring
9	169707	Motor Housing - Upper
10	168479	Armature
11	168470	Field
12	167721FW	Spring
13	169702BZ	Bushing
14	169713FW	Motor Mounting Plate
15	167695EF	Nut
16	21312774	Washer
17	43566006	Fan
18	34785004	Spring Clip
19	169714AG	Diffuser
20	33426001	Nut
21	31148002	Spacer
22	41823002	Motor Housing - Lower

