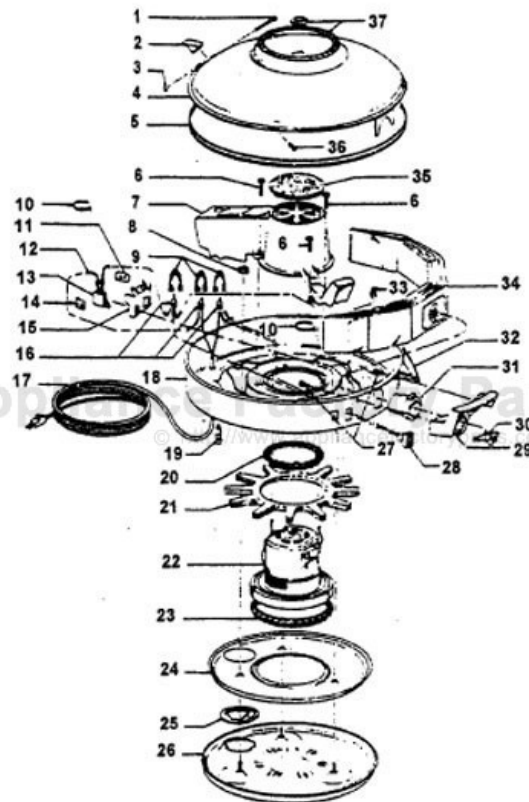


This Owner's Manual is provided and hosted by [Appliance Factory Parts](#).



HOOVER S3081 Owner's Manual

[Shop genuine replacement parts for HOOVER S3081](#)

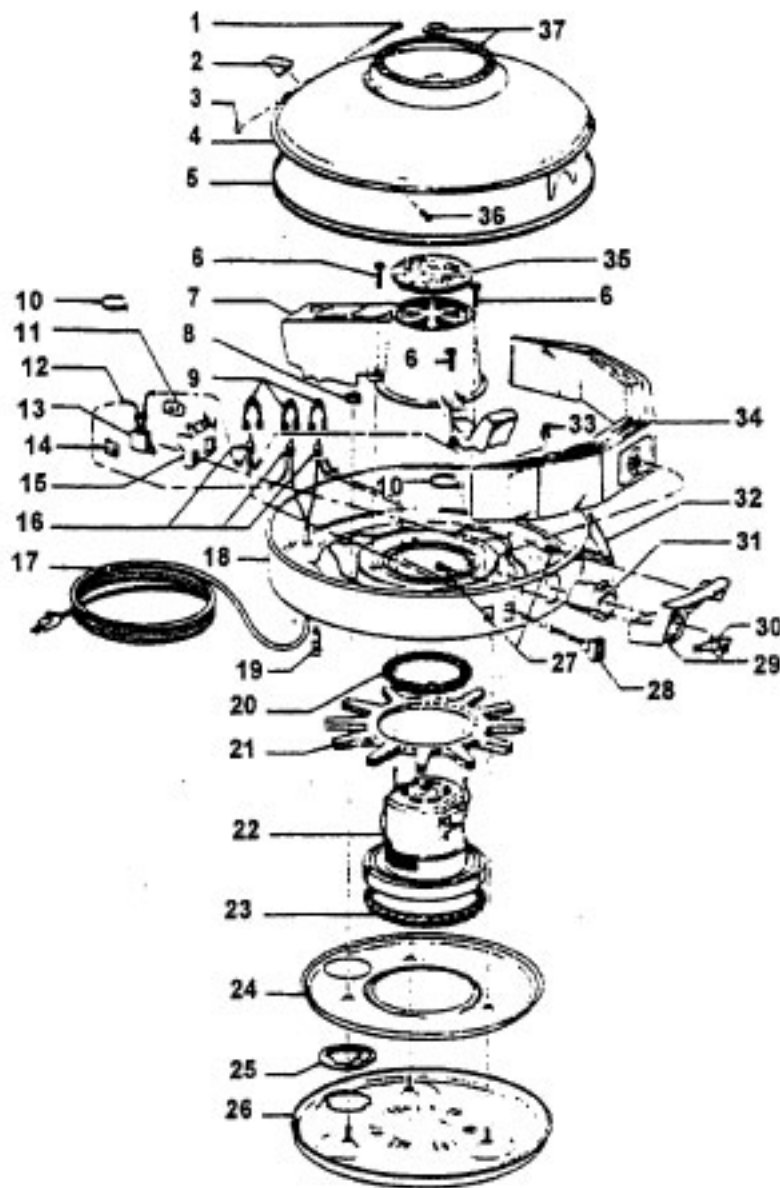


[Find Your HOOVER Vacuum Cleaner Parts - Select From 1456 Models](#)

----- Manual continues below part list -----

Available Replacement Parts for HOOVER S3081

| | |
|----------------------------|----------------------|
| H-43267002 | AGITATOR BEARING ASM |
| H-4010009H | PAPER BAG, 3 PK |



| Ref. No. | Part No. | Description |
|----------|----------|---|
| 1 | 47938 | Hinge Pin |
| 2 | 170362JM | Cord Clip |
| 3 | 48123AV | Lock Ring |
| 4 | 42211161 | Upper Shell |
| | 42211164 | Upper Shell - S3081, S3093 |
| 5 | 170361JM | Furniture Guard |
| 6 | 17001FW | Screw (3) |
| 7 | 170377JM | Motor Cover |
| 8 | 21652003 | Nut - Hex (3) |
| 9 | 161881 | Terminal Lock (3) |
| 10 | 27479307 | Wire Tie (2) |
| 11 | 13312 | Switch Retaining Clamp (Metal) |
| | 36131003 | Switch Cover - R.H. (Plastic) |
| 12 | 170333 | Lead Wire - White |
| 13 | 12971 | Switch |
| 14 | 13313 | Switch Retaining Clamp (Metal) |
| | 36131002 | Switch Cover - L.H. (Plastic) |
| 15 | 34353001 | Switch Insulation |
| 16 | 48969 | Wire Nut (3) |
| 17 | 46363195 | Cord |
| 18 | 42213115 | Intermediate Shell |
| 19 | 27482120 | Strain Relief Bushing |
| 20 | 169293 | Motor Mount - Upper |
| 21 | 31194005 | Muffler |
| 22 | 43177008 | Motor - (P-39) |
| 23 | 169294 | Motor Mount - Lower |
| 24 | 37215097 | Intake Pan |
| 25 | 170382JM | Blower Adapter (All except S3093 & S3147) |
| 26 | 41421122 | Bottom Pan - S3057, S3081 |
| | 41421189 | Bottom Pan - S3093, S3147 |
| 27 | 166735EF | Screw (2) |
| 28 | 46326076 | Connector |
| 29 | 39457006 | Handle |
| 30 | 36151012 | Latch |
| 31 | 170352AG | Bag Collar Connector |
| 32 | 16439JX | Shell Cover Latch |
| | 16439EW | Shell Cover Latch |
| 33 | 34341006 | Retaining Clip (Connector) |
| 34 | 4010009H | Throw Away Bag (3 Pk.) |
| 35 | 170332BZ | Secondary Filter |
| 36 | 13533 | Screw (Cord Clip) |
| 37 | 52125002 | Medallion - S3057 |
| | 51661008 | Medallion - S3081, S3093 |
| | 51661009 | Medallion - S3147 |
| | 52125006 | Medallion & Trim |

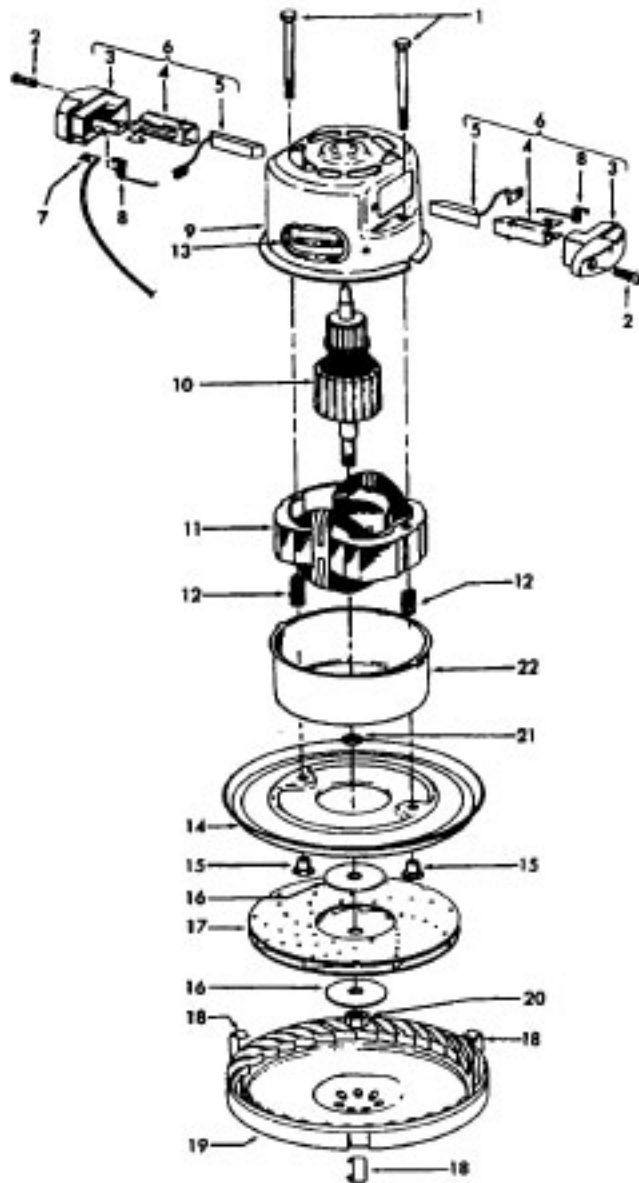
ITEMS NOT ILLUSTRATED

| | |
|----------|--------------------------------|
| 170351AW | Hinge Leaf Upper (Upper Shell) |
| 23737202 | Caster Wheel Assm. - S3083 |

PACKAGING MATERIAL

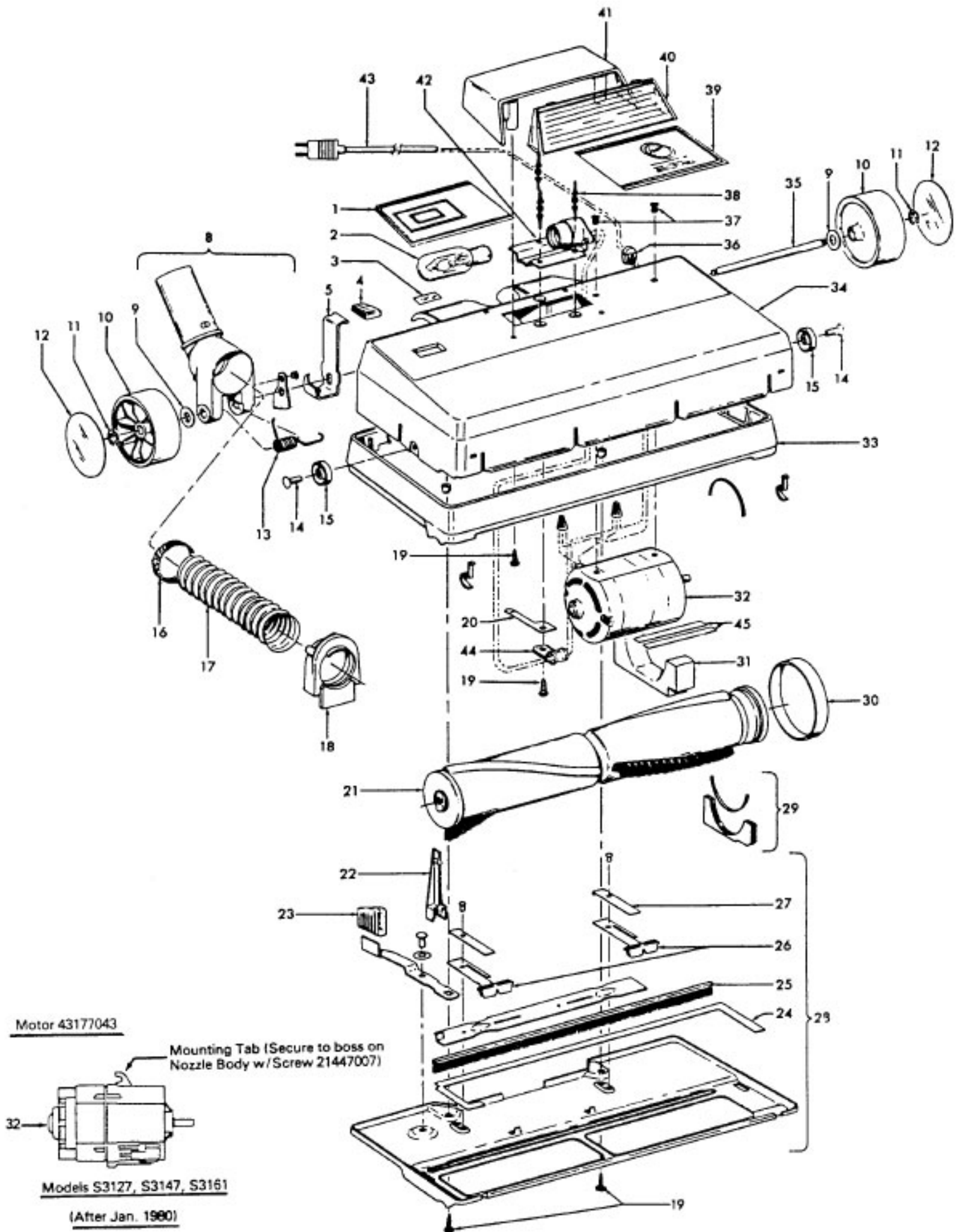
| | |
|----------|--|
| 58177087 | Carton |
| 58259001 | Top Support - S3083, S3083-030, S3093, S3147 |
| 58271001 | Bottom Support - S3057, S3081 |
| 58132009 | Nozzle Carton |
| 58332001 | Nozzle Support |
| 56513015 | Owner Manual - S3057 |
| 56513058 | Owner Manual - S3081, S3083, S3083-030 |
| 56513071 | Owner Manual - S3093 |
| 56513092 | Owner Manual - S3147 |

S3073, S3073-030, S3079, S3079-030, S3079-035, S3081,
 S3083, S3083-030, S3093, S3121, S3123, S3125, S3125-030,
 S3127, S3131, S3131-030, S3133, S3135, S3147, S3149, S3159
 S3161, S3165, S3167, S3169, S3215



| Ref. No. | Part No. | Description |
|----------|----------|---|
| 1 | 33421004 | Field Lamination Bolt |
| 2 | 21429406 | Screw |
| 3 | 167696AG | Brush Housing - Only |
| 4 | N/A | Brush Holder - Use Brush Carrier Assem. 47318008 It. 6. |
| 5 | 167681 | Carbon Brush & Terminal |
| 6 | 47318008 | Brush Housing - Comp. |
| 7 | 27666551 | Terminal |
| 8 | 38353004 | Spring |
| 9 | 169707 | Motor Housing - Upper |
| 10 | 168479 | Armature |
| 11 | 168470 | Field |
| 12 | 167721FW | Spring |
| 13 | 169702BZ | Bushing |
| 14 | 169713FW | Motor Mounting Plate |
| 15 | 167695EF | Nut |
| 16 | 21312774 | Washer |
| 17 | 43566006 | Fan |
| 18 | 34785004 | Spring Clip |
| 19 | 169714AG | Diffuser |
| 20 | 33426001 | Nut |
| 21 | 31148002 | Spacer |
| 22 | 41823002 | Motor Housing - Lower |

Powermatic Nozzle

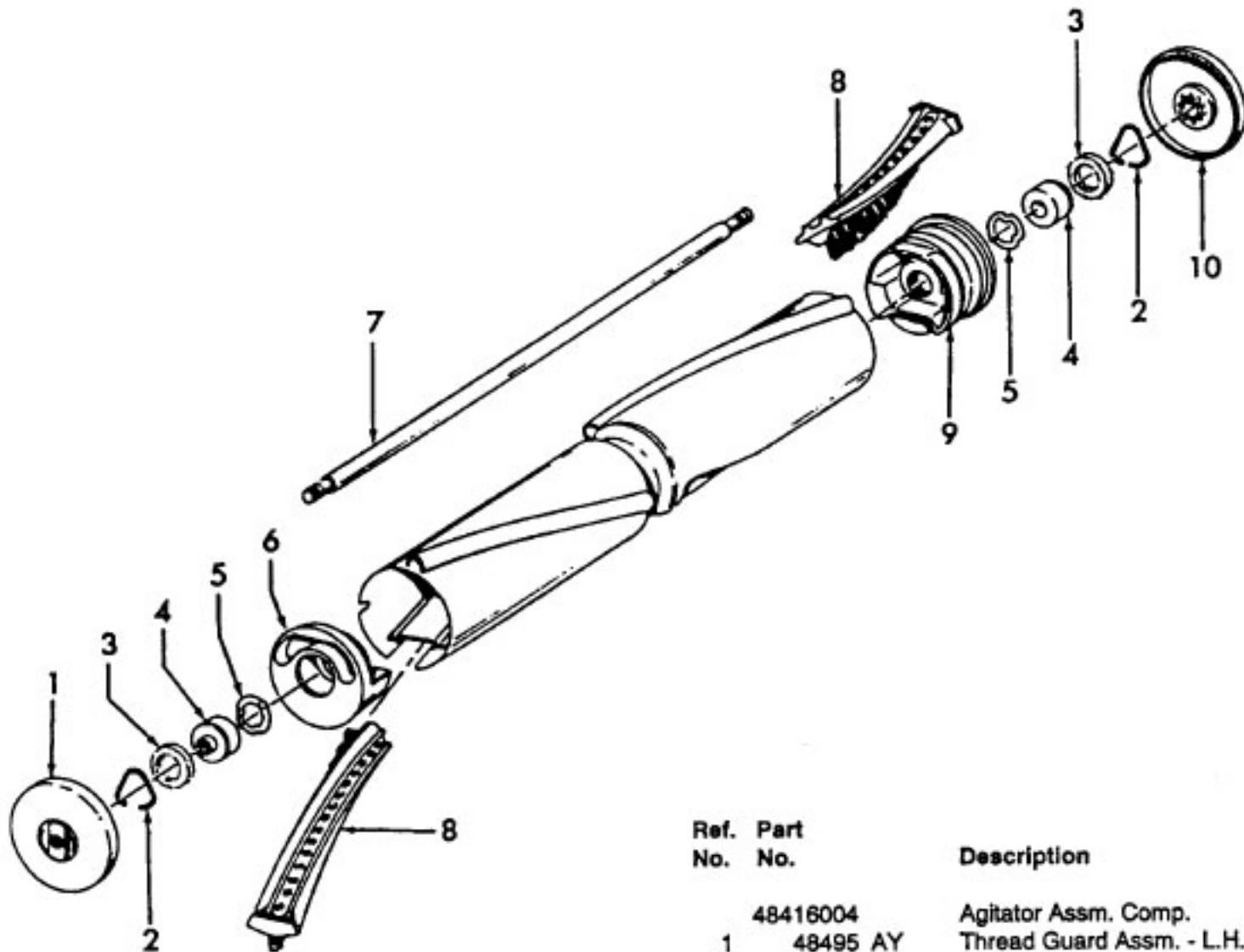
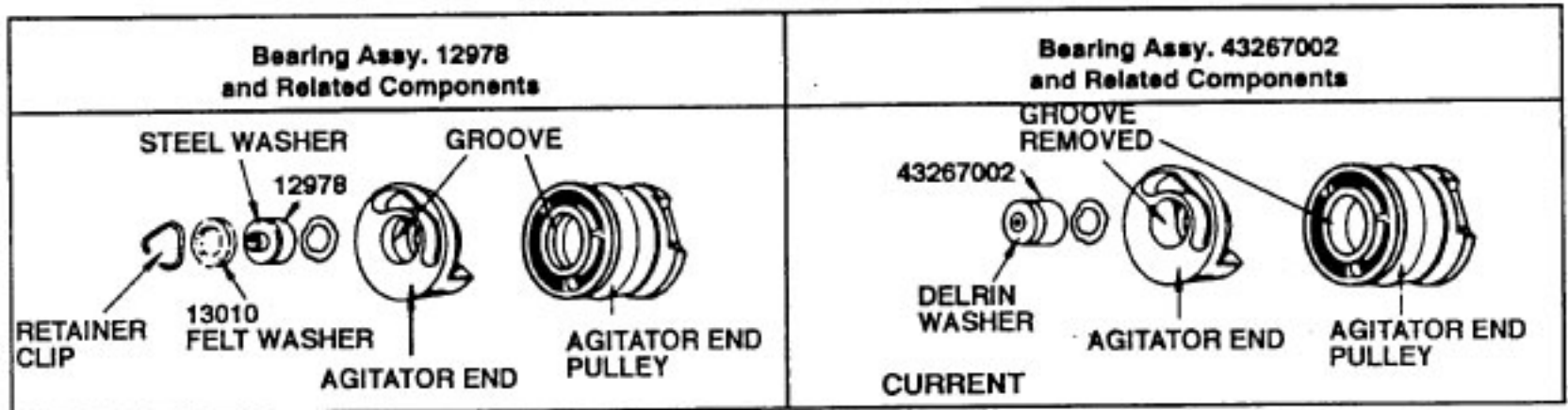


Powermatic Nozzle

**Models S3057, S3059, S3059-030, S3061, S3061-030, S3077
S3079, S3079-030, S3079-035, S3081, S3083, S3083-030,
S3093, S3127, S3147, S3149, S3161**

| Ref. No. | Part No. | Description | Ref. No. | Part No. | Description |
|----------|----------|---|-----------------------|--|--|
| 1 | 51639014 | Nameplate - S3061, S3077 | 33 | 36235001 | Furniture Guard - S3061, S3061-030 |
| 2 | 27317307 | Lamp - S3061, S3061-030, S3077 | | 36235017 | Furniture Guard - LY - |
| 3 | 39382013 | Indicator Lens | 34 | 42241041 | Nozzle Body Assm. |
| 4 | 38426072 | Foot Pad | 35 | 32543002 | Wheel Shaft |
| | 38426071 | Foot Pad - S3077, S3079, S3079-030, S3079-035, S3081, S3161 | 36 | 163768 | Strain Relief |
| 5 | 34664007 | Handle Release Lever | 37 | 21434224 | Screw (2) (Use w/27212011 Motor) |
| 8 | 43468013 | Nozzle Position Bracket Assm. (Incl. Screw & Handle Position Bracket) | | 21447007 | Screw (1) Use w/43177073 Motor) (Models S3127, S3147, S3161, After Jan. 1980) |
| 9 | 31155005 | Washer - Plain (2) | 38 | 36218005 | Isolation Grommet (3) |
| 10 | 38522001 | Wheel (2) | 39 | 52125003 | Nameplate - S3061, S3061-030 |
| 11 | 13730 | Lock Ring (2) | | 51661006 | Nameplate - S3077 |
| 12 | 169242 | Wheel Cover (2) | | 51375027 | Nameplate - S3057, S3059, S3059-030, S3127, S3161 |
| 13 | 38355005 | Torsion Spring | 40 | 39383014 | Lens - S3061, S3061-030 S3077 |
| 14 | 21256025 | Rivet (2) | 41 | 42252001 | Housing Assm. - S3061, S3061-030 |
| 15 | 32761001 | Wheel (2) | | 42252002 | Housing Assm. - S3077 |
| 16 | 166651 | Felt Seal | 42 | 47171002 | Dirt Finder Socket Assm. - S3061, S3061-030, S3077 |
| 17 | 43431196 | Hose | 43 | 46321002 | Cord |
| 18 | 38638013 | Hose Adapter | 44 | 12910 | Tube Clamp - S3061, S3061-030, S3077 |
| 19 | 21429404 | Screw (3) | 45 | | Electrical Tape - 1/2" Wide |
| 20 | 35412003 | Spring | | 48438084 | Powered Nozzle Comp. - S3057, S3059, S3059-030, S3079, S3079-030, S3079-035, S3081, S3083, S3083-030, S3127, S3147, S3161, S3093 |
| 21 | 48416004 | Agitator | | 48438055 | Powered Nozzle Comp. - S3061, S3061-030, S3077 |
| 22 | 51151031 | Indicator | | 48438081 | Powered Nozzle Comp. |
| 23 | 38426080 | Foot Pad | | 48438120 | Powered Nozzle Comp. - S3149 |
| 24 | 34123001 | Seal | ITEMS NOT ILLUSTRATED | | |
| 25 | 48443001 | Brush | | | |
| 26 | 36952008 | Brush Support (2) | | | |
| 27 | 34654003 | Spring (2) | | | |
| 28 | 42246006 | Bottom Plate Assm. | | | |
| | 42246007 | Bottom Plate Assm. - S3081, S3093 | | | |
| | 42246050 | Bottom Plate Assm. - S3079-035 | | | |
| | 42246003 | Bottom Plate Assm. - S3057, S3059, S3061, S3127, S3147, S3149, S3161 | | | |
| 29 | 43548001 | Agitator Seal Assm. | | | |
| 30 | 38528009 | Belt | | | |
| 31 | 38781003 | Dirt Seal (use w/27212011 Motor) | 51638007 | Handle Release Label - S3077, S3083 | |
| | 34284001 | Motor Baffle (Use w/43177073 Motor, Models S3127, S3147, S3161 - After Jan. 1980) | 34618017 | Bracket Assm. (Use w/27212011 (Plastic Case) when installing on old style Nozzle Body with two mounting holes) | |
| 32 | 27212011 | Motor (use w/21434224 Screw, (2)) | | | |
| | 43177073 | Motor w/Mounting Tab (Use w/21447007 Screw (1), Models S3127, S3147, S3161 - After Jan. 1980) | | | |

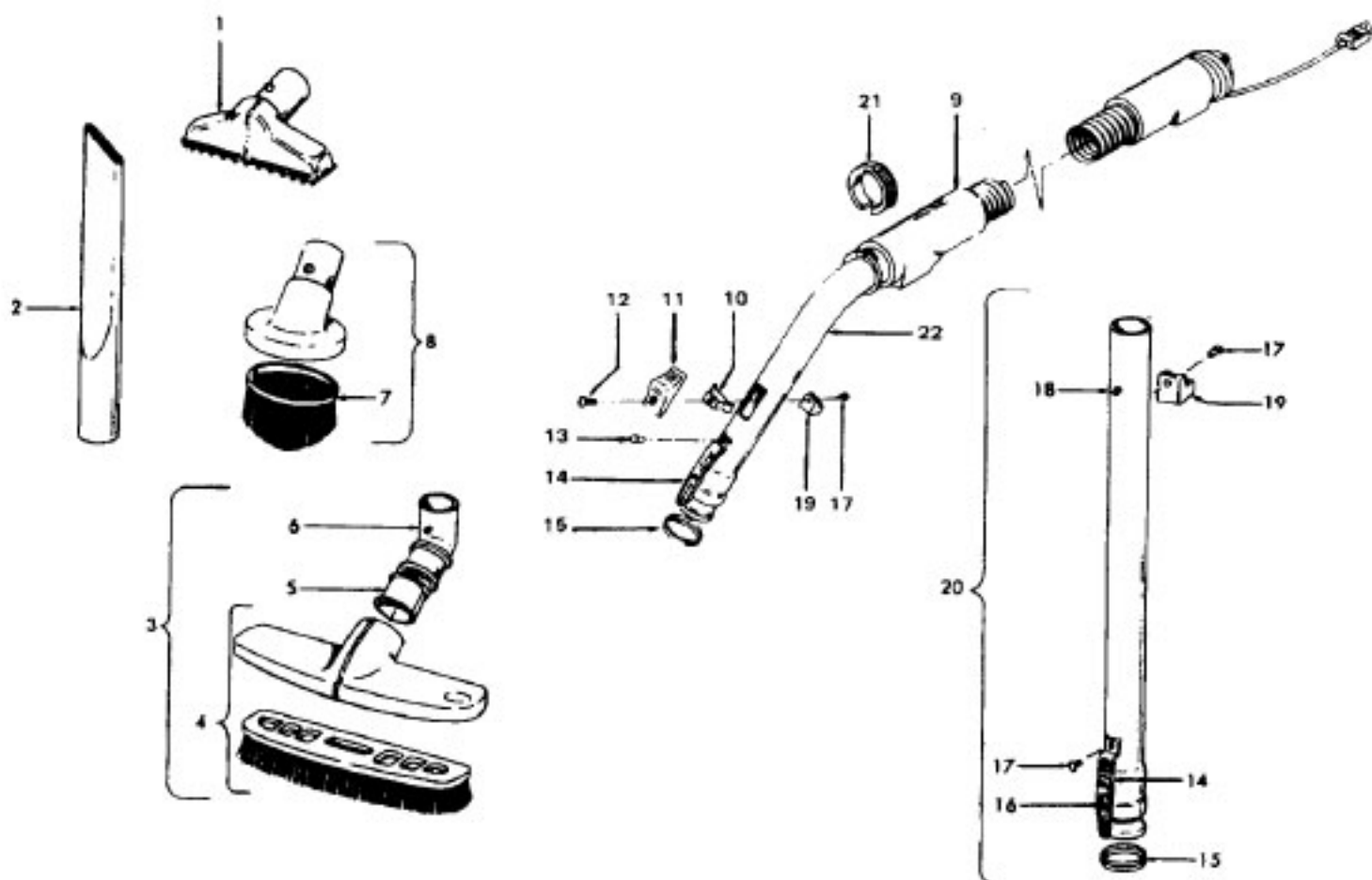
Models S3057, S3059, S3059-030, S3061, S3061-030, S3077, S3079, S3079-030, S3079-035, S3081, S3083, S3083-030, S3093, S3127, S3131, S3131-030, S3133, S3135, S3137, S3139, S3139-035, S3141, S3147, S3149, S3153, S3161, S3173



| Ref. No. | Part No. | Description |
|----------|-----------|---|
| | 48416004 | Agitator Assm. Comp. |
| 1 | 48495 AY | Thread Guard Assm. - L.H. |
| 2 | 12987 | Retainer Clip (2) |
| 3 | 13010 | Washer - Felt (2) |
| 4 | 12978 | Agitator Bearing Assm. (2) (Use w/item 2 & 3) |
| | 43267002 | Agitator Bearing Assm. (2) (Current) |
| 5 | 21347003 | Washer (2) |
| 6 | 160542 | Agitator End Assm. |
| 7 | 160070 | Agitator Shaft |
| 8 | 160646 BZ | Agitator Brush Back Assm. (2) |
| 9 | 160538 | Agitator End Pulley |
| 10 | 12985 AY | Agitator Thread Guard Assm. - R.H. |

Cleaning Tools

Models S3059, S3059-030, S3061, S3061-030, S3079,
S3079-030, S3083, S3083-030, S3127, S3147, S3149, S3161



| Ref. No. | Part No. | Description | Ref. No. | Part No. | Description |
|----------|----------|--|----------|----------|---|
| 1 | 43414057 | Furniture Nozzle Comp. | 10 | 13257BZ | Suction Regulator Support |
| 2 | 38617017 | Crevice Tool | 11 | 13142AG | Suction Regulator Control |
| 3 | 13077JM | Floor Brush Assm. | 12 | 13275 | Screw |
| | 43414073 | Floor Brush Assm. | 13 | 12783 | Rivet |
| 4 | 13155JM | Brush Back & Nozzle Assm. (Use w/13077JM) | 14 | 12846AG | Tube Latch (2) |
| 5 | 13276 | Floor Brush Swivel Bushing (Use w/13154JM) | 15 | 12845JM | Gasket (2) |
| | 33712007 | Split Ring (Use w/38644040) | 16 | 12772 | Rivet |
| 6 | 13154JM | Swivel Connector (Use w/13077JM) | 17 | 12783 | Rivet (2) |
| | 38644040 | Swivel Connector (Use w/48473025) | 18 | 12763AW | Rivet |
| 7 | 13263BZ | Brush (Use w/ 61851 JM) | 19 | 36171005 | Cord Clip |
| 8 | 161851JM | Dusting Brush Comp. | 20 | 43453085 | Ext. Tube (2) (17") |
| | 43414064 | Dusting Brush (One Piece) | | 43453052 | Ext. Tube 20 - AX- S3127, S3161 |
| 9 | 43438022 | Current Carrying Hose & Tube | 21 | 36153009 | Latch Ring |
| | 43433085 | Current Car in Hose | 22 | 43468055 | Hose Tube (Early) |
| | | | | 43453023 | Ext. Tube - AX- 20 - S3127, S3161 (Current) |
| | | | | 170110 | Shag Vac Rake - S3161 S3149 |