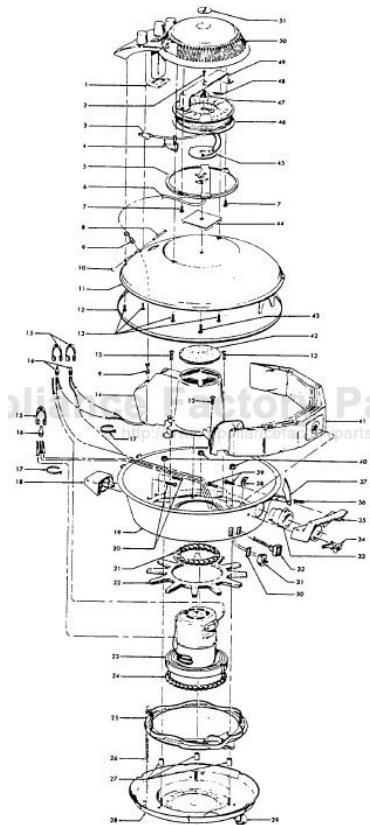


This Owner's Manual is provided and hosted by [Appliance Factory Parts](#).



HOOVER S3149 Owner's Manual

[Shop genuine replacement parts for HOOVER S3149](#)

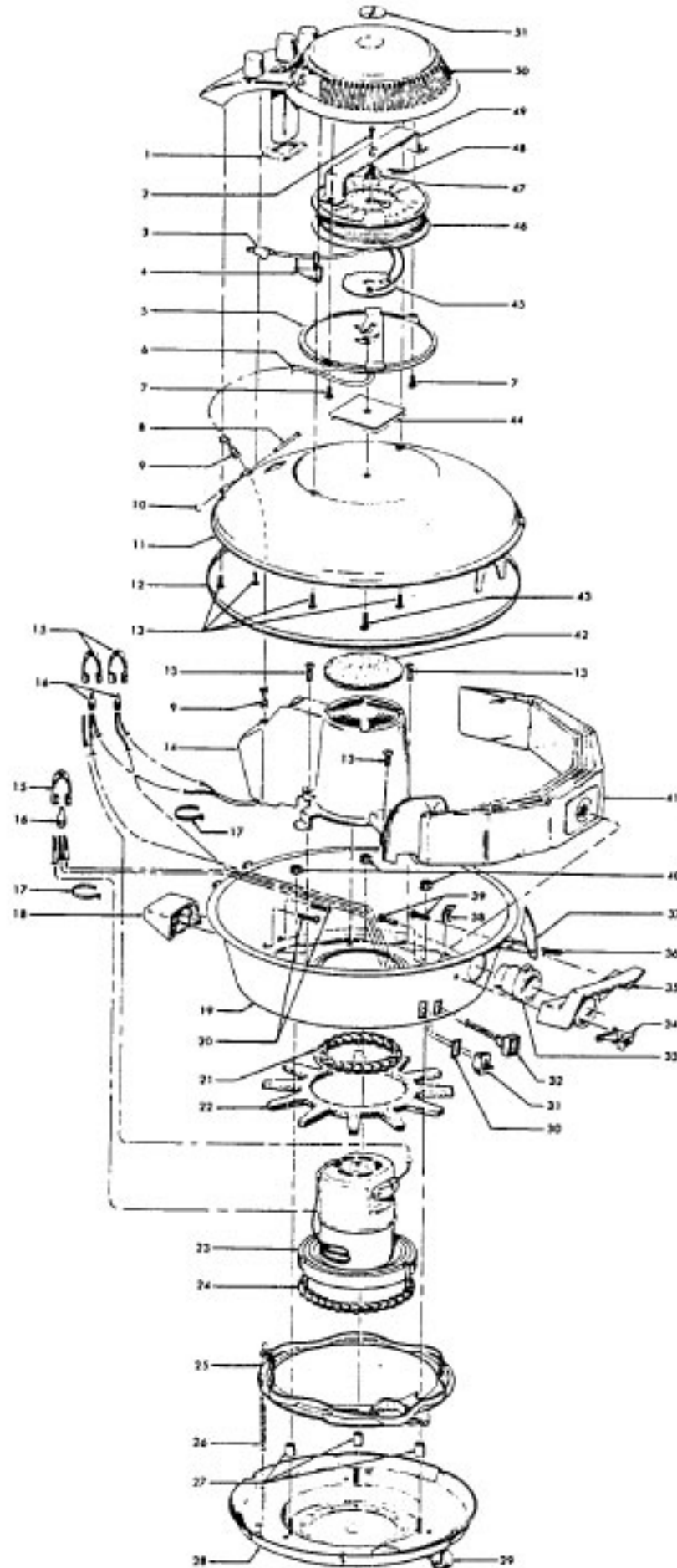


[Find Your HOOVER Vacuum Cleaner Parts - Select From 1456 Models](#)

----- Manual continues below part list -----

Available Replacement Parts for HOOVER S3149

| | |
|----------------------------|---------------------------|
| H-43267002 | AGITATOR BEARING ASM |
| H-4010009H | PAPER BAG, 3 PK |
| H-43414073 | Floor brush. |
| H-43414064 | DUSTING BRUSH (ONE PEICE) |



Celebrity II

**Models S3059, S3059-030, S3079, S3079-030, S3079-035
S3127, S3149, S3161**

| Ref. No. | Part No. | Description | Ref. No. | Part No. | Description |
|----------|----------|---|----------|----------|--|
| 1 | 170334AG | Gasket | 31 | 28162004 | Switch |
| 2 | 19765 | Screw | | 12971 | Switch - S3079, S3079-030, S3079-035, S3127, S3149, S3161 |
| 3 | 46383303 | Cord | 32 | 46326076 | Connector |
| 4 | 170368JM | Plug Insert | 33 | 170352AG | Bag Collar Connector |
| 5 | 47348006 | Brush Block Comp. - S3059, S3059-030, S3079, S3079-030 | 34 | 36151012 | Latch |
| | 47348034 | Brush Block Comp. | 35 | 39457006 | Handle |
| 6 | 46311029 | Pigtail Cord - S3059, S3059-030, S3079, S3079-030 | 36 | 48512FW | Shell Cover Latch Spring |
| | 46313036 | Pigtail Cord | 37 | 16439EW | Shell Cover Latch |
| 7 | 17001FW | Screw (2) | | 16439JX | Shell Cover Latch - S3079, S3079-030, S3079-035, S3127, S3149, S3161 |
| 8 | 47938 | Hinge Pin | 38 | 34341006 | Retaining Clip - S3059, S3059-030 |
| 9 | 27482227 | Strain Relief Bushing (2) | | 13312 | Retaining Clip |
| 10 | 48123AV | Lock Ring | 39 | 166735EF | Screw (2) |
| 11 | 42211187 | Upper Shell | 40 | 21652003 | Nut - Hex (3) |
| | 42211157 | Upper Shell - S3079, S3079-030, S3079-035 | 41 | 4010009H | Throw Away Bag (3 Pk.) |
| | 42211002 | Upper Shell - S3127 | 42 | 170332BZ | Secondary Filter |
| | 42211158 | Upper Shell - S3149 | 43 | 21447003 | Screw |
| | 42211159 | Upper Shell - S3161 | 44 | 34165002 | Brush Block Insulator (2) |
| 12 | 170361JM | Furniture Guard | 45 | 46831076 | Commutator |
| 13 | 12619 | Screw (7) | 46 | 46831015 | Cord Reel Comp. |
| 14 | 170375JM | Motor Cover | 47 | 19999 | Ratchet |
| | 37196054 | Motor Cover - S3079-035, S3161 | 48 | 38331004 | Detent Spring |
| | 37196033 | Motor Cover - S3127, S3149 | 49 | 170343AY | Cord Reel Bracket |
| 15 | 161881 | Terminal Lock (3) | 50 | 37215011 | Cord Reel Housing |
| 16 | 48969 | Wire Nut (3) | | 37215052 | Cord Reel Housing - S3079, S3079-030, S3079-035 |
| 17 | 27479307 | Wire Tie (2) | | 37215053 | Cord Reel Housing - S3127, S3149 |
| 18 | 170359FP | Rear Rest Pad | | 37215054 | Cord Reel Housing - S3161 |
| 19 | 42213120 | Intermediate Shell Comp. | 51 | 51661008 | Medallion |
| | 42213335 | Intermediate Shell Comp. | | | |
| 20 | 21447014 | Screw (2) | | | |
| 21 | 169293 | Motor Mount - Upper | | | |
| 22 | 31194005 | Muffler | | | |
| 23 | 43577074 | Motor - 3.7 - (P - 60) | | | |
| | 43177008 | Motor - S3079, S3079-030, S3079-035, S3127, S3149, S3161 - 7.2 - (P - 39) | | | |
| 24 | 169294 | Motor Mount - Lower | | | |
| 25 | 170374JM | Blower Valve | | | |
| 26 | 170339 | Spring | | | |
| 27 | 31721004 | Spacer (3) | | | |
| | 31721025 | Spacer (3) - S3161 | | | |
| 28 | 41421311 | Bottom Pan Comp. | | | |
| | 41421169 | Bottom Pan Comp. | | | |
| | 41421180 | Bottom Pan Comp. | | | |
| | 41421189 | Bottom Pan Comp. - S3079, S3079-030, S3079-035, S3127, S3149 | | | |
| | 41421318 | Bottom Pan Comp. - S3161 | | | |
| 29 | 23737202 | Caster Wheel (3) | | | |
| 30 | 34138005 | Switch Sealing Gasket | | | |

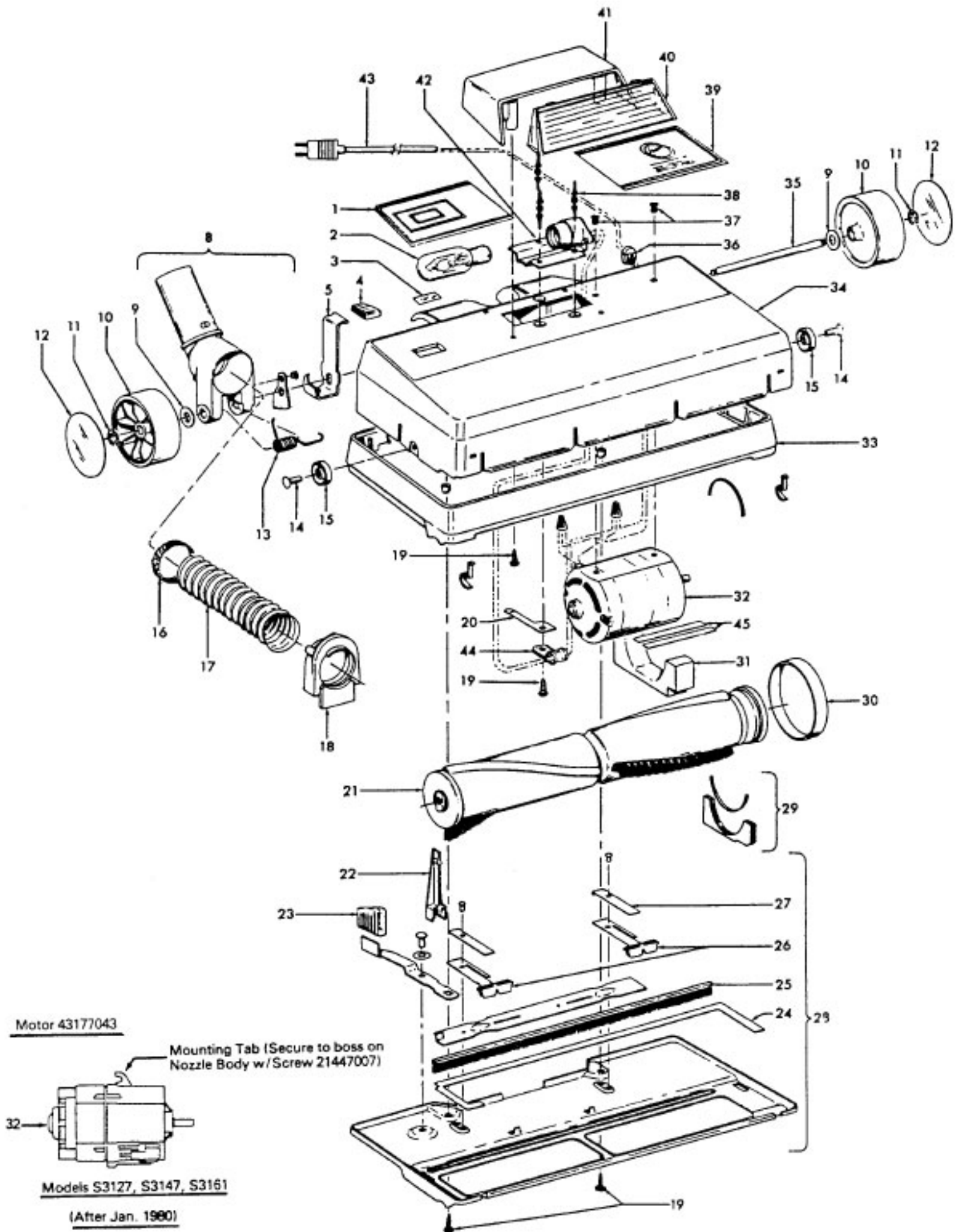
ITEMS NOT ILLUSTRATED

| | |
|----------|--|
| 170351AW | Hinge Leaf Upper (Upper Shell) |
| 34353001 | Switch Insulation - S3079, S3079-030, S3079-035, S3127, S3149, S3161 |

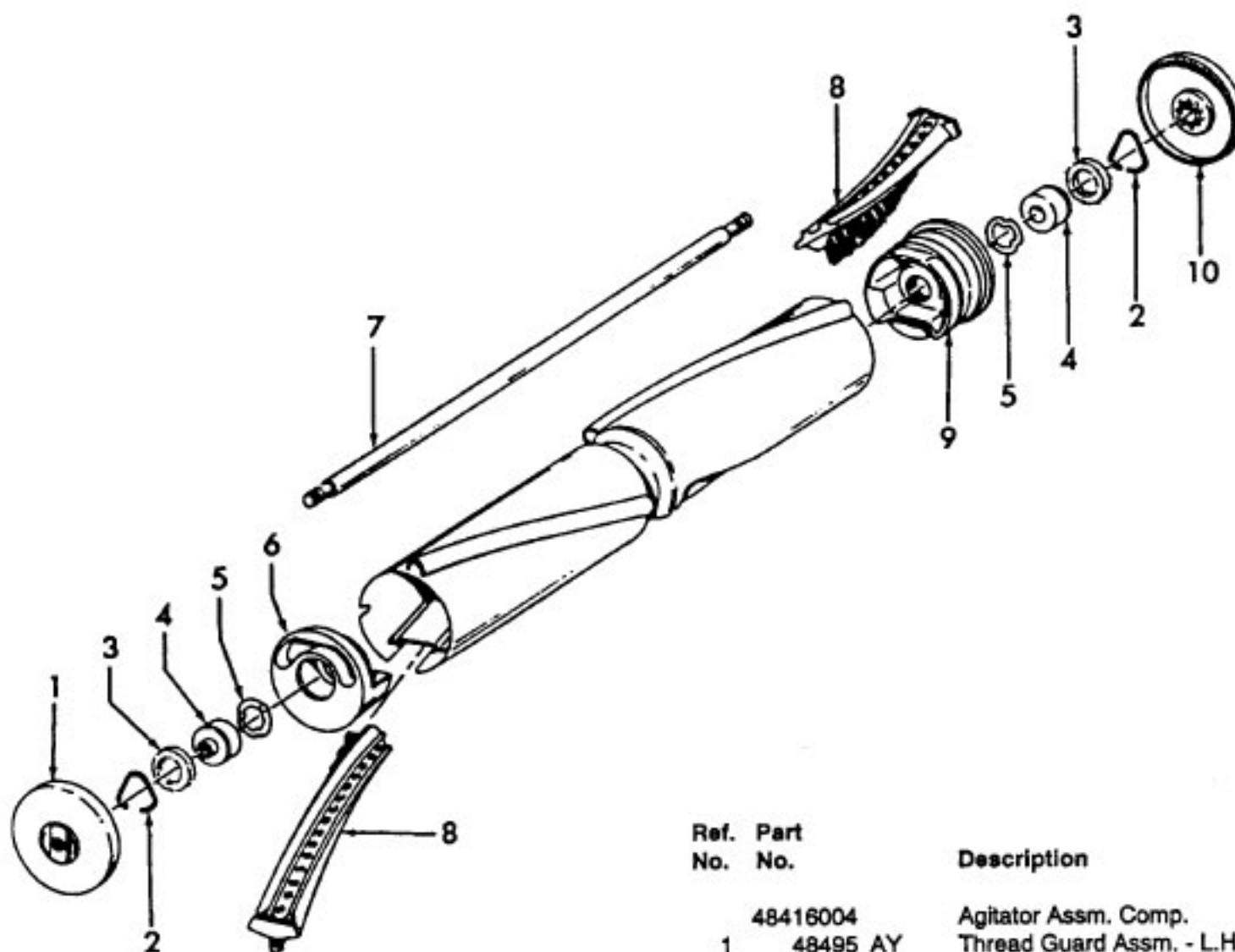
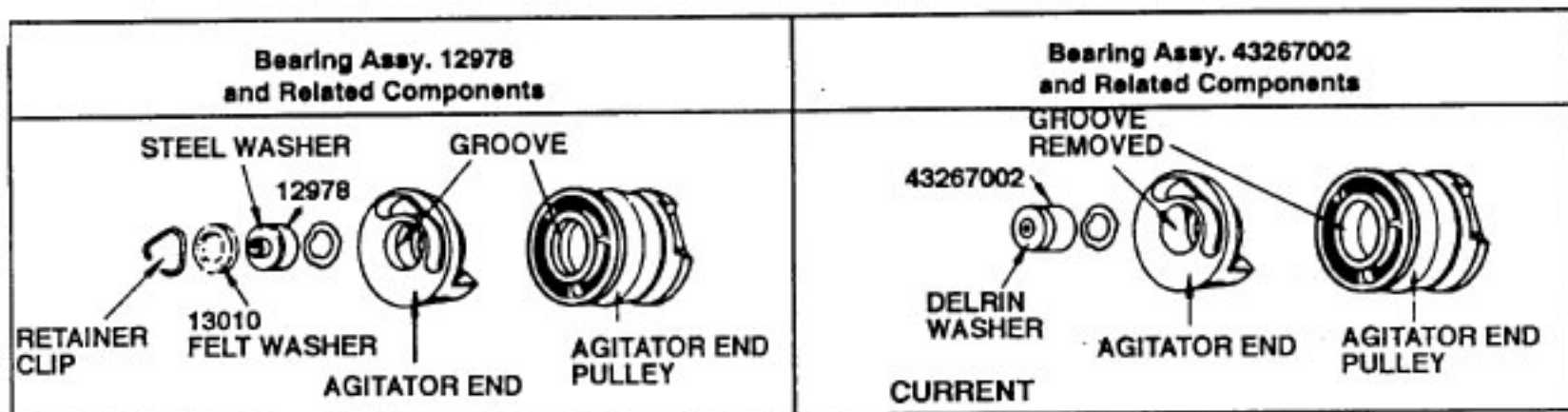
PACKAGING MATERIAL

| | |
|----------|---|
| 58185091 | Carton - Celebrity w/ Power. Nozzle |
| 58185001 | Carton - S3059, S3059-030 |
| 58185062 | Carton - S3079, S3079-030, S3079-035, S3127 |
| 58185024 | Carton - S3149 |
| 58185038 | Carton - S3161 |
| 58132009 | Nozzle Carton |
| 58332001 | Nozzle Support |
| 56513099 | Owner Manual |

Powermatic Nozzle

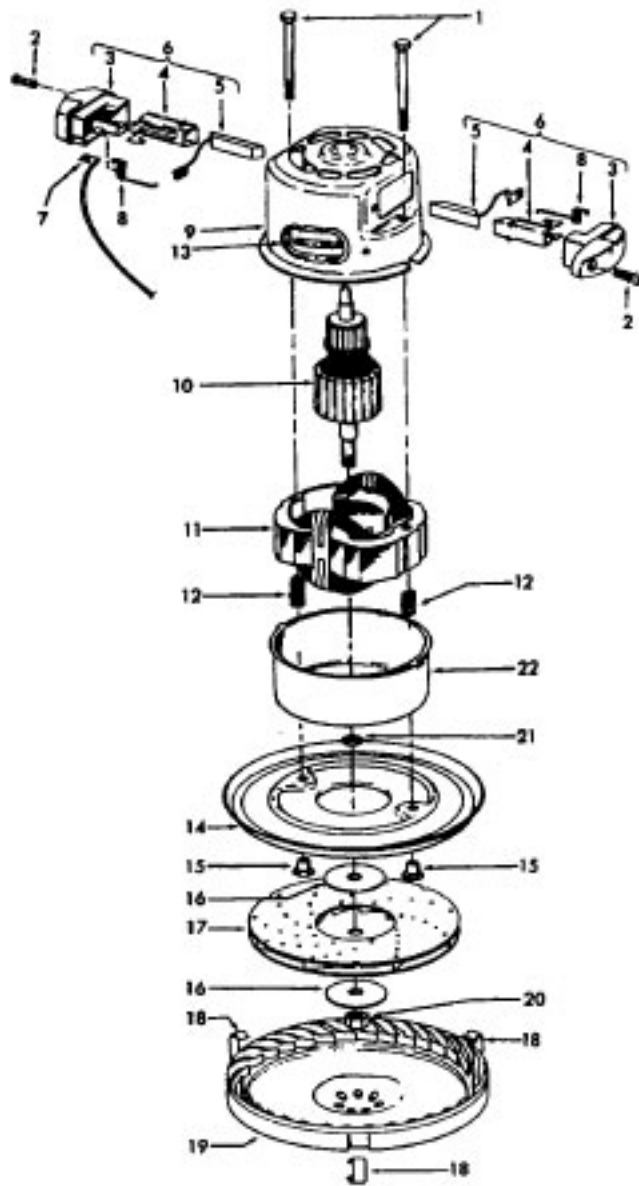


Models S3057, S3059, S3059-030, S3061, S3061-030, S3077, S3079, S3079-030, S3079-035, S3081, S3083, S3083-030, S3093, S3127, S3131, S3131-030, S3133, S3135, S3137, S3139, S3139-035, S3141, S3147, S3149, S3153, S3161, S3173



| Ref. No. | Part No. | Description |
|----------|-----------|---|
| | 48416004 | Agitator Assm. Comp. |
| 1 | 48495 AY | Thread Guard Assm. - L.H. |
| 2 | 12987 | Retainer Clip (2) |
| 3 | 13010 | Washer - Felt (2) |
| 4 | 12978 | Agitator Bearing Assm. (2) (Use w/item 2 & 3) |
| | 43267002 | Agitator Bearing Assm. (2) (Current) |
| 5 | 21347003 | Washer (2) |
| 6 | 160542 | Agitator End Assm. |
| 7 | 160070 | Agitator Shaft |
| 8 | 160646 BZ | Agitator Brush Back Assm. (2) |
| 9 | 160538 | Agitator End Pulley |
| 10 | 12985 AY | Agitator Thread Guard Assm. - R.H. |

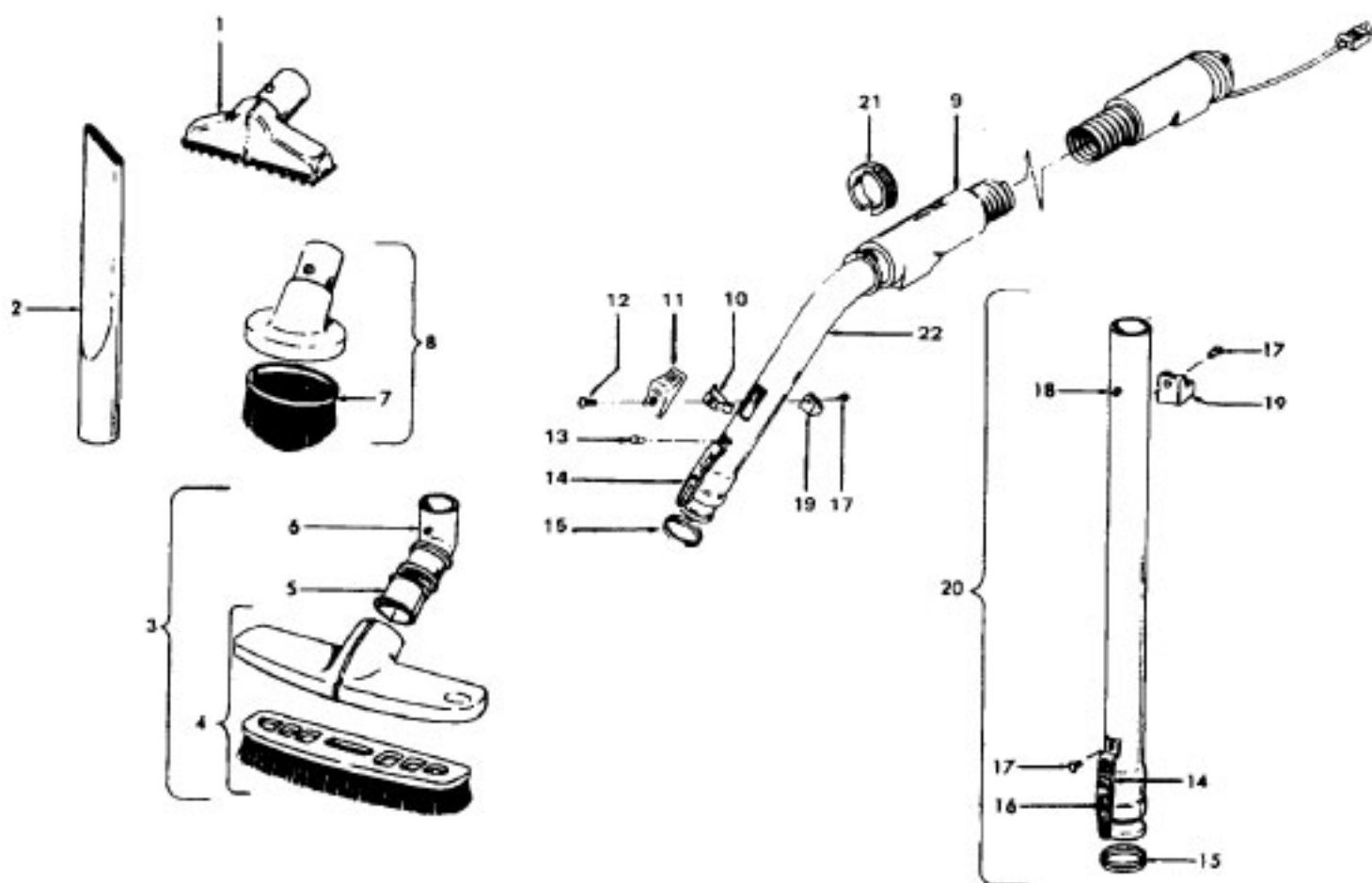
S3073, S3073-030, S3079, S3079-030, S3079-035, S3081,
 S3083, S3083-030, S3093, S3121, S3123, S3125, S3125-030,
 S3127, S3131, S3131-030, S3133, S3135, S3147, S3149, S3159
 S3161, S3165, S3167, S3169, S3215



| Ref. No. | Part No. | Description |
|----------|----------|---|
| 1 | 33421004 | Field Lamination Bolt |
| 2 | 21429406 | Screw |
| 3 | 167696AG | Brush Housing - Only |
| 4 | N/A | Brush Holder - Use Brush Carrier Assem. 47318008 It. 6. |
| 5 | 167681 | Carbon Brush & Terminal |
| 6 | 47318008 | Brush Housing - Comp. |
| 7 | 27666551 | Terminal |
| 8 | 38353004 | Spring |
| 9 | 169707 | Motor Housing - Upper |
| 10 | 168479 | Armature |
| 11 | 168470 | Field |
| 12 | 167721FW | Spring |
| 13 | 169702BZ | Bushing |
| 14 | 169713FW | Motor Mounting Plate |
| 15 | 167695EF | Nut |
| 16 | 21312774 | Washer |
| 17 | 43566006 | Fan |
| 18 | 34785004 | Spring Clip |
| 19 | 169714AG | Diffuser |
| 20 | 33426001 | Nut |
| 21 | 31148002 | Spacer |
| 22 | 41823002 | Motor Housing - Lower |

Cleaning Tools

Models S3059, S3059-030, S3061, S3061-030, S3079,
S3079-030, S3083, S3083-030, S3127, S3147, S3149, S3161



| Ref. No. | Part No. | Description | Ref. No. | Part No. | Description |
|----------|----------|--|----------|----------|---|
| 1 | 43414057 | Furniture Nozzle Comp. | 10 | 13257BZ | Suction Regulator Support |
| 2 | 38617017 | Crevice Tool | 11 | 13142AG | Suction Regulator Control |
| 3 | 13077JM | Floor Brush Assm. | 12 | 13275 | Screw |
| | 43414073 | Floor Brush Assm. | 13 | 12783 | Rivet |
| 4 | 13155JM | Brush Back & Nozzle Assm. (Use w/13077JM) | 14 | 12846AG | Tube Latch (2) |
| 5 | 13276 | Floor Brush Swivel Bushing (Use w/13154JM) | 15 | 12845JM | Gasket (2) |
| | 33712007 | Split Ring (Use w/38644040) | 16 | 12772 | Rivet |
| 6 | 13154JM | Swivel Connector (Use w/13077JM) | 17 | 12783 | Rivet (2) |
| | 38644040 | Swivel Connector (Use w/48473025) | 18 | 12763AW | Rivet |
| 7 | 13263BZ | Brush (Use w/ 61851 JM) | 19 | 36171005 | Cord Clip |
| 8 | 161851JM | Dusting Brush Comp. | 20 | 43453085 | Ext. Tube (2) (17") |
| | 43414064 | Dusting Brush (One Piece) | | 43453052 | Ext. Tube 20 - AX- S3127, S3161 |
| 9 | 43438022 | Current Carrying Hose & Tube | 21 | 36153009 | Latch Ring |
| | 43433085 | Current Car in Hose | 22 | 43468055 | Hose Tube (Early) |
| | | | | 43453023 | Ext. Tube - AX- 20 - S3127, S3161 (Current) |
| | | | | 170110 | Shag Vac Rake - S3161 S3149 |