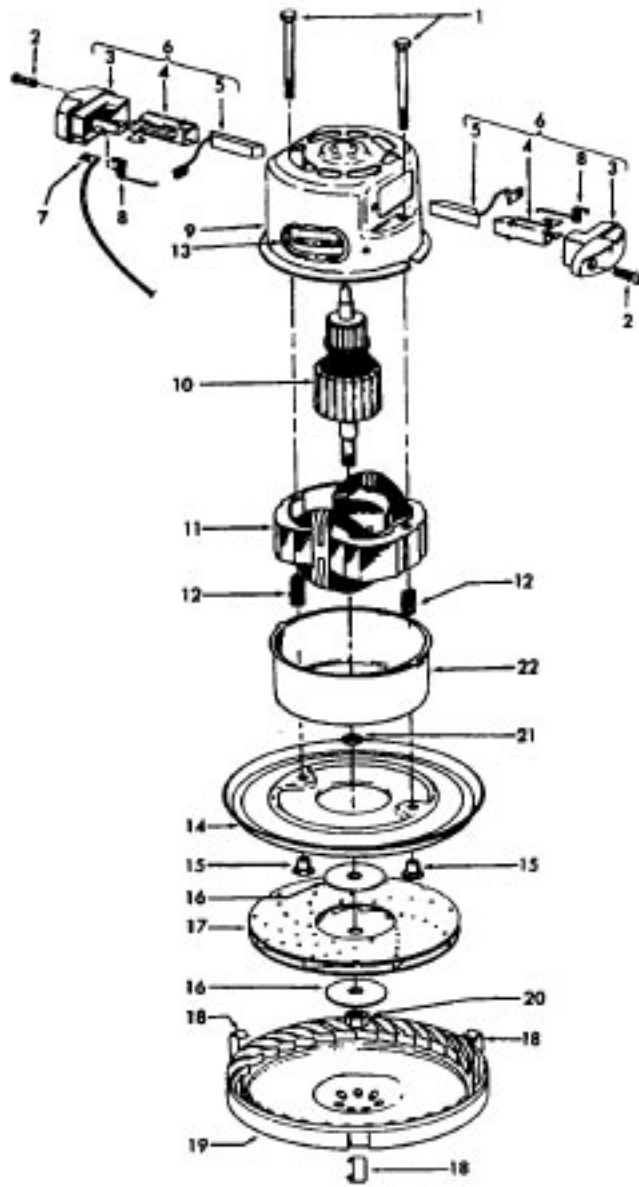


| Ref. No. | Part No. | Description |
|------------------------------|----------|---|
| 1 | 51661008 | Medallion |
| 2 | 47938 | Hinge Pin |
| 3 | 170362KX | Cord Clip |
| | 170362JM | Cord Clip |
| 4 | 170351 | Hinge Leaf - Upper |
| | 48123AV | Lock Ring |
| 6 | 42211050 | Upper Shell - KX |
| | 42211048 | Upper Shell - JX - S3165 |
| 7 | 170361KY | Furniture Guard |
| | 170361JM | Furniture Guard - S3165 |
| 8 | 21447017 | Screw |
| | 17001FW | Screw |
| 10 | 170377JM | Motor Cover |
| 11 | 48969 | Wire Nut |
| 12 | 21652003 | Hex Nut |
| 13 | 27479307 | Wire Tie |
| 14 | 170348AW | Hinge Leaf - Lower |
| 15 | 27482120 | Strain Relief |
| 16 | 46363195 | Attach. Cord |
| 17 | 42213366 | Intermediate Shell - JR |
| | 42213068 | Intermediate Shell - JX - S3165 |
| 18 | 169293 | Resilient Mount - Upper |
| 19 | 43177008 | Motor Assm. - (P-39) |
| 20 | 169294 | Resilient Mount - Lower |
| 21 | 31114008 | Muffler |
| 22 | 31721025 | Spacer |
| 23 | 41421189 | Bottom Pan |
| 24 | 23737202 | Caster Wheel |
| 25 | 38424001 | Pedal - JM |
| 26 | 46326096 | Receptacle - JM - S3131, S3131-030 |
| 27 | 36151012 | Latch |
| 28 | 28212026 | Switch |
| 29 | 31324001 | Spacer |
| 30 | 34723001 | Retainer Clip - S3131, S3131-030 |
| 31 | 39457006 | Handle - JR |
| | 39457007 | Handle - JX - S3165 |
| 32 | 170352AG | Bag Collar Connector |
| 33 | 48512FW | Spring |
| 34 | 16439EW | Latch 16439 JX + Latch - S3165 |
| 35 | 160862 | Screw |
| 36 | 4010009H | Throw Away Bag (3 Pk.) |
| 37 | 170332BZ | Filter |
| | 56513104 | Owner Manual |
| | 56513116 | Owner Manual - S3165 |
| | 58177059 | Cleaner Carton - S3131-030, S3165 |
| | 58259001 | Top Support |
| | 58343002 | Bottom Support |
| | 58177087 | Carton - Celebrity w/o Power. Nozzle |
| Items not illustrated | | |
| | 46348016 | External Cord Set - S3131, S3131-030 |
| | 43434191 | Hose - (P. 65) |
| | 48438012 | Power Nozzle - S3131, S3131-030 (P. 66) |
| | 43414151 | Rug and Floor Nozzle - S3165 (P. 55) |

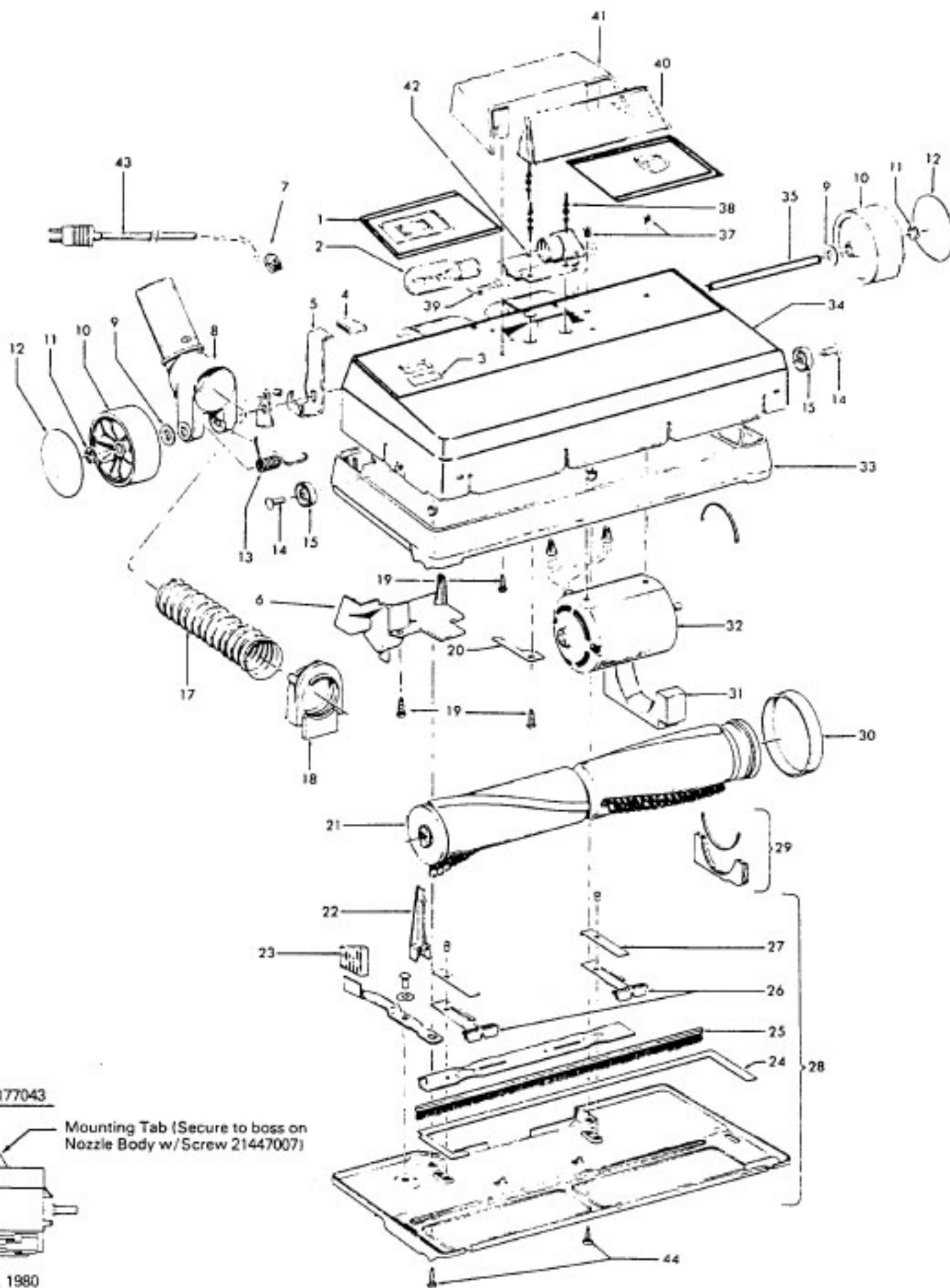
S3073, S3073-030, S3079, S3079-030, S3079-035, S3081,
 S3083, S3083-030, S3093, S3121, S3123, S3125, S3125-030,
 S3127, S3131, S3131-030, S3133, S3135, S3147, S3149, S3159
 S3161, S3165, S3167, S3169, S3215



| Ref. No. | Part No. | Description |
|----------|----------|---|
| 1 | 33421004 | Field Lamination Bolt |
| 2 | 21429406 | Screw |
| 3 | 167696AG | Brush Housing - Only |
| 4 | N/A | Brush Holder - Use Brush Carrier Assem. 47318008 It. 6. |
| 5 | 167681 | Carbon Brush & Terminal |
| 6 | 47318008 | Brush Housing - Comp. |
| 7 | 27666551 | Terminal |
| 8 | 38353004 | Spring |
| 9 | 169707 | Motor Housing - Upper |
| 10 | 168479 | Armature |
| 11 | 168470 | Field |
| 12 | 167721FW | Spring |
| 13 | 169702BZ | Bushing |
| 14 | 169713FW | Motor Mounting Plate |
| 15 | 167695EF | Nut |
| 16 | 21312774 | Washer |
| 17 | 43566006 | Fan |
| 18 | 34785004 | Spring Clip |
| 19 | 169714AG | Diffuser |
| 20 | 33426001 | Nut |
| 21 | 31148002 | Spacer |
| 22 | 41823002 | Motor Housing - Lower |

Powered Nozzle

Models S3131, S3131-030, S3133, S3135, S3137,
S3139, S3139-035, S3141, S3153, S3173



Motor 43177043

Mounting Tab (Secure to boss on
Nozzle Body w/ Screw 21447007)



After Jan. 1980

Powered Nozzle

| Ref. No. | Part No. | Description |
|----------|----------------------------------|--|
| 1 | 52125021 52125032 51375018 | Nameplate - S3131, S3131-030 Nameplate - S3133 Nameplate - S3135, S3139, S3139-035, S3141 |
| | 51375027 51375025 | Nameplate - S3137 Nameplate - S3139, S3139-035, S3141 |
| | 51375026 51375040 | Nameplate - S3153 Nameplate - S3173 |
| 2 | 27317307 | Lamp - S3139, S3139-035, S3141, S3153 |
| 3 | 39382013 | Indicator Lens - S3135, S3137, S3139, S3139-035, S3141, S3153 |
| 4 | 38426072 | Foot Pad - JM |
| 5 | 34664007 | Release Lever |
| 6 | 37943010 | Cover |
| 7 | 163768 | Strain Relief |
| 8 | 43468013 | Nozzle |
| 9 | 31155005 | Washer |
| 10 | 38522001 | Wheel |
| 11 | 13730 | Lock Ring |
| 12 | 169242 | Wheel Cover |
| 13 | 38355005 | Torsion Spring |
| 14 | 21256025 | Rivet |
| 15 | 32761001 | Wheel |
| 17 | 43431196 | Hose |
| 18 | 38638013 | Hose Adapter |
| 19 | 21429404 | Screw |
| 20 | 35412003 | Spring |
| 21 | 48416004 | Agitator |
| 22 | 51151031 | Indicator - JM |
| 23 | 38426080 | Foot Pad |
| 24 | 34123001 | Seal |
| 25 | 48443001 | Brush - S3135, S3137, S3139, S3139-035, S3141, S3153 |
| 26 | 36952008 | Brush Support |
| 27 | 34654003 | Spring |
| 28 | 42246007 42246003 | Bottom Plate Bottom Plate - S3135, S3137, S3139, S3139-035, S3141, S3153 |
| 29 | 43548001 | Agitator Seal |
| 30 | 38528009 | Belt |

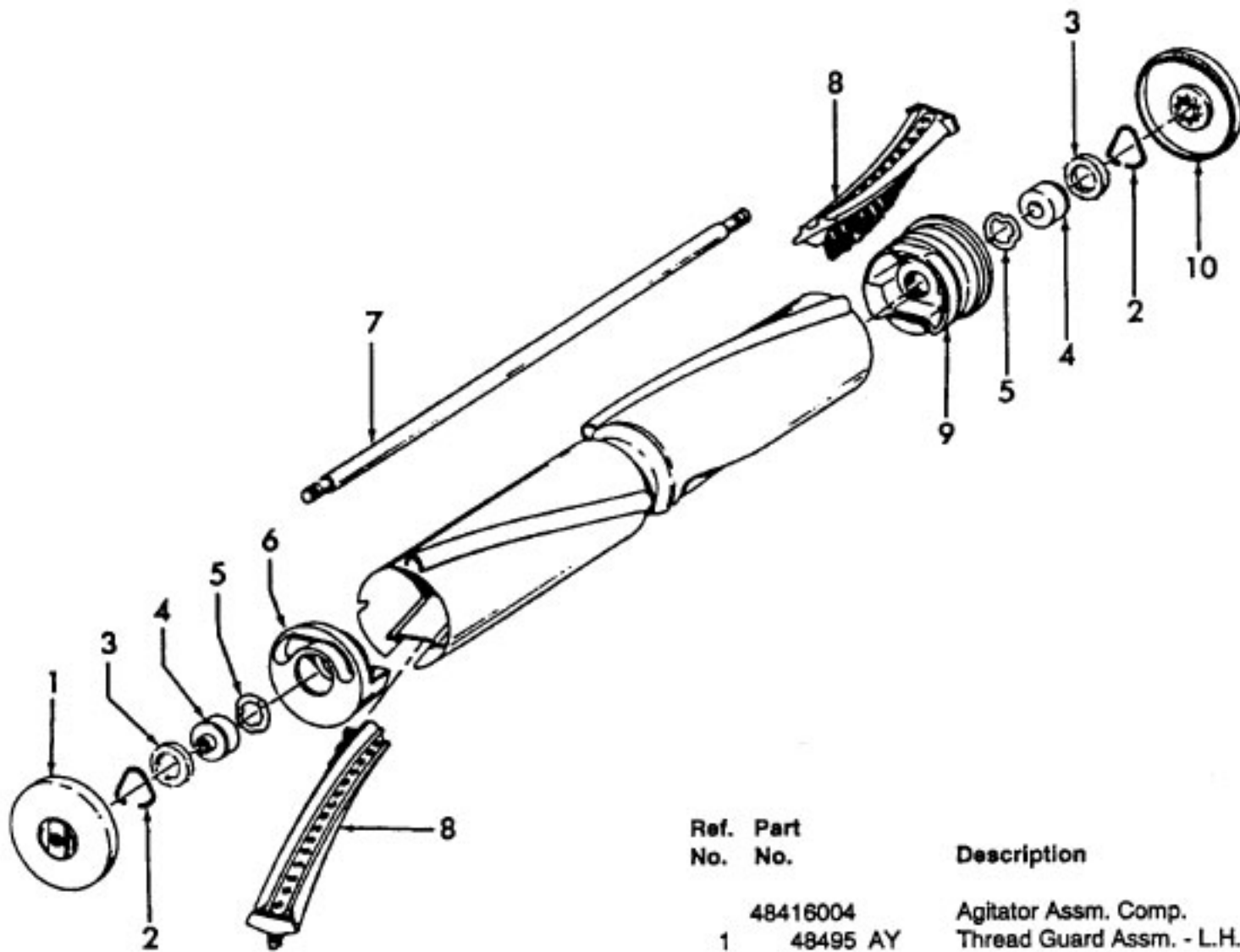
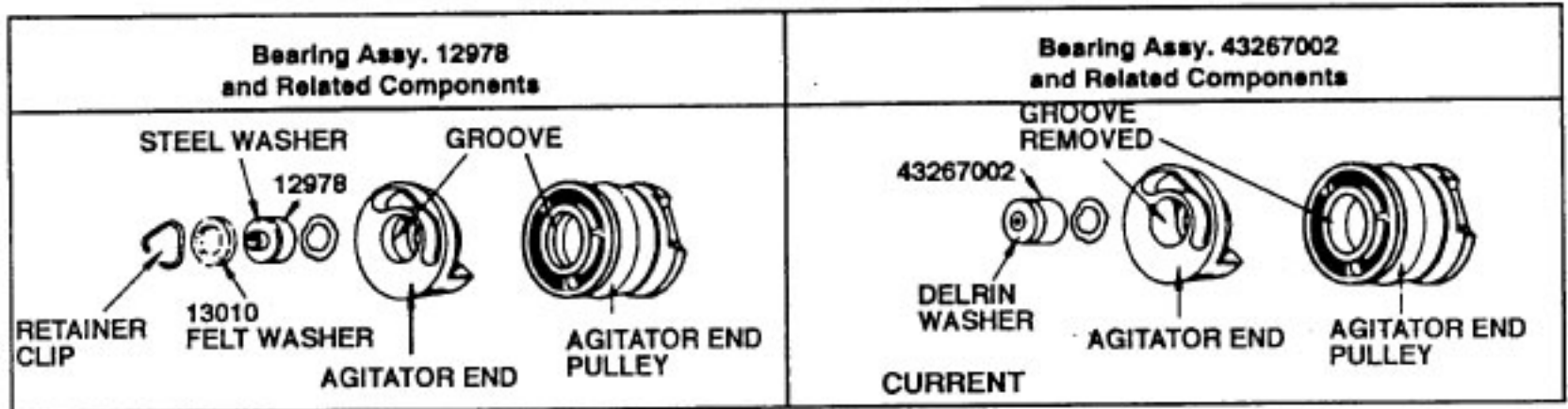
Models S3131, S3131-030, S3133, S3135, S3137 S3139, S3139-035, S3141, S3153, S3173

| Ref. No. | Part No. | Description |
|----------|----------|--|
| 31 | 38781003 | Dirt Seal - Prior to Jan. 1980 (Use w/27212011 Motor) |
| | 34284001 | Motor Baffle - After Jan. 1980 (Use w/43177073 Motor) |
| 32 | 27212011 | Motor - Prior to Jan. 1980 (Use w/21434224 Screw (2)) |
| | 43177073 | Motor w/Mounting Tab - After Jan. 1980 (Use w/21447007 Screw (1)) |
| 33 | 36235002 | Furniture Guard - JM - S3131, S3131-030, S3135, S3139, S3139- 035, S3141 |
| 34 | 42241041 | Nozzle Body - JM |
| 35 | 32543002 | Wheel Shaft |
| 37 | 21434224 | Screw (2) - Prior to Jan. 1980 (Use w/27212011 Motor) |
| | 21447007 | Screw (1) - After Jan. 1980 (Use w/43177073 Motor) |
| 38 | 36218005 | Insulation Grommet |
| 39 | 51638007 | Handle Release Label |
| | 51639026 | Handle Release Label - S3139, 3139-035, S3141 |
| | 51639027 | Handle Release Label - S3153 |
| 40 | 39383016 | Lens - KC |
| 41 | 42252001 | Housing Assembly |
| 42 | 27171002 | Lamp Socket |
| 43 | 46321002 | Attachment Cord - AG |
| 44 | 21447003 | Screw |

ITEMS NOT ILLUSTRATED

| | |
|----------|---|
| 46348016 | Cord Set - S3131-030 |
| 48438011 | P.N. Assm. - S3133 |
| 48438012 | P.N. Assm. - S3131, S3131-030 |
| 48438055 | P.N. Assm. - S3139, S3139-035, S3141, S3153, S3173 |
| 48438014 | P.N. Assm. - S3137 |
| 48438015 | P.N. Assm. - S3135 |
| 48438084 | P.N. w/o Lens & Nameplate |
| 34618017 | Bracket Assm. (Use w/27212011 (Plastic Case) when installing on old style Nozzle Body with two mounting holes. |

Models S3057, S3059, S3059-030, S3061, S3061-030, S3077, S3079, S3079-030, S3079-035, S3081, S3083, S3083-030, S3093, S3127, S3131, S3131-030, S3133, S3135, S3137, S3139, S3139-035, S3141, S3147, S3149, S3153, S3161, S3173



| Ref. No. | Part No. | Description |
|----------|-----------|---|
| | 48416004 | Agitator Assm. Comp. |
| 1 | 48495 AY | Thread Guard Assm. - L.H. |
| 2 | 12987 | Retainer Clip (2) |
| 3 | 13010 | Washer - Felt (2) |
| 4 | 12978 | Agitator Bearing Assm. (2) (Use w/Item 2 & 3) |
| | 43267002 | Agitator Bearing Assm. (2) (Current) |
| 5 | 21347003 | Washer (2) |
| 6 | 160542 | Agitator End Assm. |
| 7 | 160070 | Agitator Shaft |
| 8 | 160646 BZ | Agitator Brush Back Assm. (2) |
| 9 | 160538 | Agitator End Pulley |
| 10 | 12985 AY | Agitator Thread Guard Assm. - R.H. |

Cleaning Tools

Models S3131, S3131-030, S3133, S3135, S3137 S3139, S3139-035, S3141, S3153, S3173

| Ref. No. | Part No. | Description |
|----------|----------|------------------------------------|
| 1 | 43434191 | Hose - ABX - S3131 |
| | 161852JM | Furniture Brush |
| | 43414016 | Furniture Brush - AG |
| 3 | 13077JM | Floor Brush |
| | 43414073 | Floor Brush |
| 4 | 161851JM | Dusting Brush |
| | 43414064 | Dusting Brush (One Piece) |
| 5 | 43414057 | Furniture Nozzle |
| 6 | 38617017 | Crevice Tool |
| 7 | 43453052 | Ext. Tube - 20 - AX |
| | 43453088 | Ext. Tube (2) (17") |
| | 43453086 | Ext. Tube (1) (22") |
| 8 | 43433085 | Current Carrying Hose - AAP |
| 9 | 13263 | Brush (Use w/ 61851 JM) |
| 10 | 13253AG | Brush |
| 11 | 13276 | Swivel Bushing (2) (Use w/13154JM) |
| | 33712007 | Split Ring (Use w/38644040) |
| 12 | 13154 | Swivel Connector (Use w/13077JM) |
| | 38644040 | Swivel Connector (Use w/48473025) |
| 14 | 13149JM | Connector Tube (Use w/161852JM) |

| Ref. No. | Part No. | Description |
|----------|----------|----------------------------|
| 15 | 32855003 | Hose Connector |
| 16 | 12615BZ | Collar |
| 17 | 32156010 | Hose Sleeve |
| 18 | 43434213 | Hose Complete |
| 19 | 36116006 | Collar |
| 20 | 43466044 | Hose Grip - JM |
| 21 | 38711006 | Suction Control Ring |
| 22 | 51869006 | Label |
| 23 | 36153009 | Latch Ring |
| 24 | 12783 | Rivet |
| 25 | 36171005 | Cord Clip |
| 26 | 12845JM | Gasket |
| 27 | 13275 | Screw |
| 28 | 13142AG | Suction Control |
| 29 | 13257BZ | Support |
| 30 | 43468055 | Hose Tube (Early) 17" |
| | 43453023 | Hose Tube Curved - AX - 20 |
| 31 | 36153009 | Latch Ring |
| 32 | 46321076 | Cord Repair Kit |

