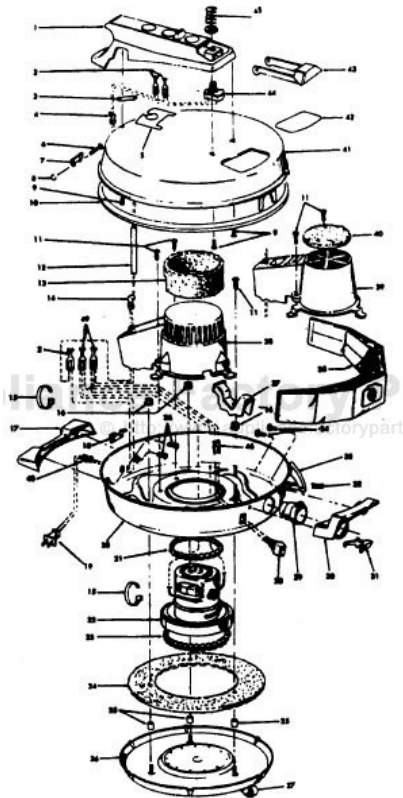


This Owner's Manual is provided and hosted by [Appliance Factory Parts](#).



# HOOVER S3133 Owner's Manual

[Shop genuine replacement parts for HOOVER S3133](#)

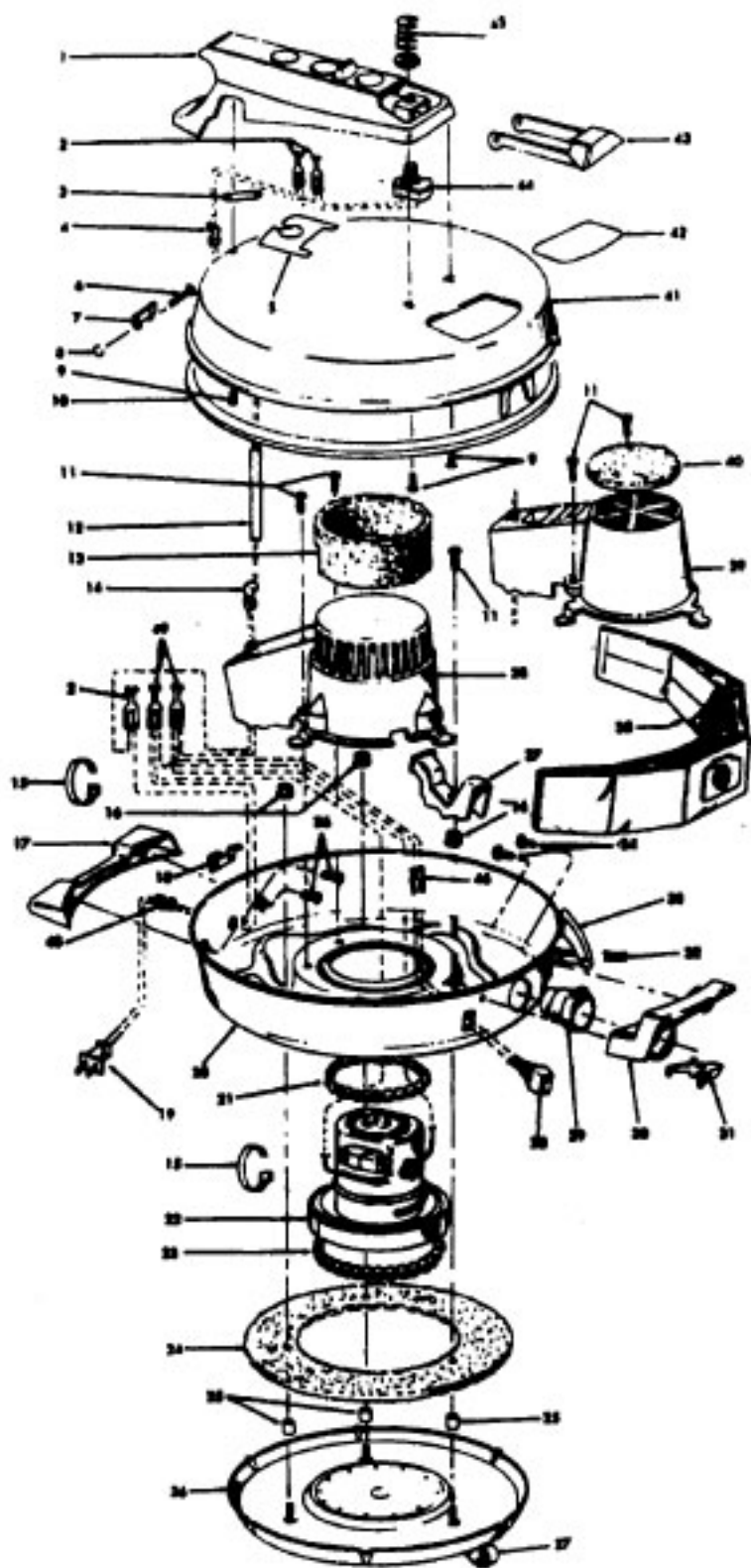


[Find Your HOOVER Vacuum Cleaner Parts - Select From 1456 Models](#)

----- Manual continues below part list -----

## Available Replacement Parts for HOOVER S3133

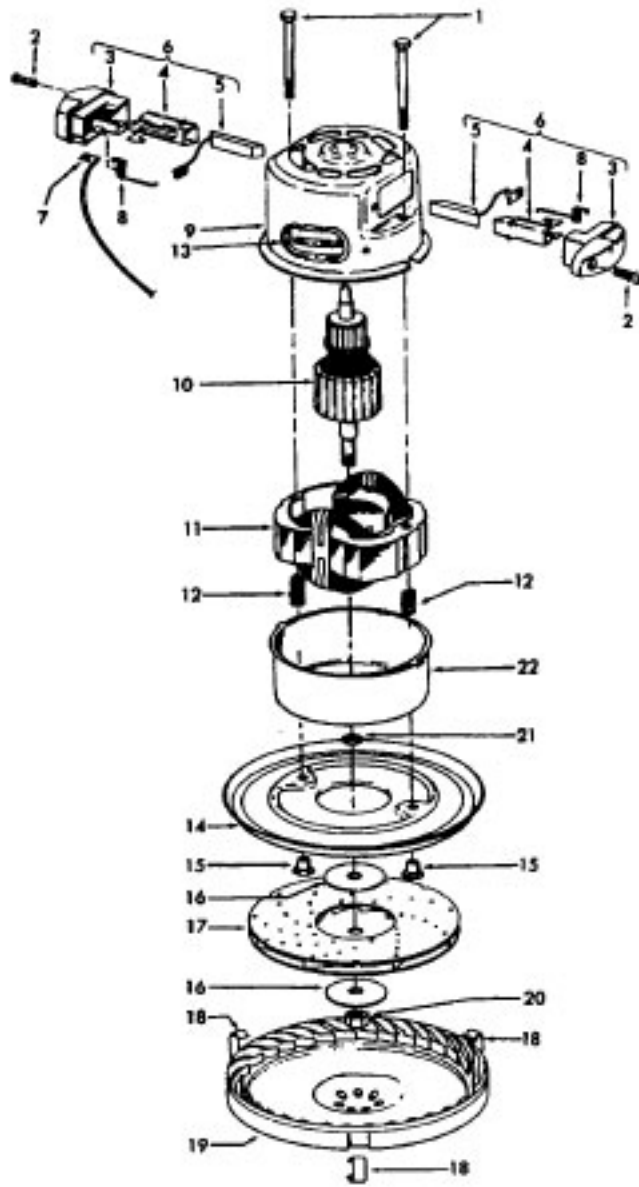
<a href="#">H-43267002</a>	AGITATOR BEARING ASM
<a href="#">H-4010009H</a>	PAPER BAG, 3 PK
<a href="#">H-43414073</a>	Floor brush.
<a href="#">H-43414064</a>	DUSTING BRUSH (ONE PEICE)



- 56513087 Owner Manual
- 56513191 Owner Manual - S3233
- 58185022 Carton - S3133
- 58185062 Carton - S3135
- 58185047 Carton - S3173
- 58185091 Carton - Common
- 58254001 Front Bottom Support
- 58336001 Rear Bottom Support
- 58347002 Top Support

Ref. No.	Part No.	Description
1	36433003	Tool Rack - LB - S3133, S3173, S323
	36433002	Tool Rack - KX - S3135
2	48969	Wire Nut
3	21366003	Speed Nut
4	27482120	Strain Relief - Pigtail
	27482301	Strain Relief - Cord
5	34363002	Wire Shield
6	47938	Hinge Pin
7	35214004	Hinge Leaf - Upper
8	48123AV	Lock Ring
9	166735EF	Screw
10	170361JM	Furniture Guard
	170361KY	Furniture Guard
11	17001FW	Screw
12	46311112	Pigtail Cord - JM
13	38764006	Filter
14	27482227	Strain Relief
15	27479307	Wire Tie
16	21652003	Hex Nut
17	36921008	Rest Pad - JJ
	36921009	Rest Pad - JR
18	170348AW	Hinge Leaf - Lower
19	46363195	Cord - S3133
	46363224	Attach. Cord - AAP - S3135
	46383068	Attach. Cord - AAP - S3233
20	42213321	Intermediate Shell - JJ - S3233
21	169293	Resilient Mount - Upper
22	43177008	Motor - (P-39)
	43577074	Motor - S3173, S3233 - 3.7 - (P-60)
23	169294	Resilient Mount - Lower
24	31114008	Muffler
25	31721025	Spacer
26	41421189	Bottom Pan - JR - S3133, S3135
	41421311	Bottom Pan - JJ - S3173, S3233
27	23737202	Caster Wheel
28	46326096	Receptacle
29	170352AG	Bag Collar Connector
30	39457006	Handle - JM
	39457012	Handle - JR
31	36151012	Latch
32	48512FW	Spring
33	16439JX	Latch
	16439EW	Latch
34	21447024	Screw
35	4010009H	Paper Bag (3 Pk.)
36	21447014	Screw
37	37959020	Wire Cover - JM - S3135
38	37196070	Motor Cover - JM
39	37196033	Motor Cover - JM - S3133
140	170332BZ	Filter - S3133
41	42211291	Upper Shell - LB - S3133
	42211338	Upper Shell - S3135
	42211294	Upper Shell - JX - S3173, S3233
42	52125020	Name Plate - S3133
	52125024	Name Plate - S3135
	52125043	Name Plate - S3173, S3233
43	38456071	Switch Button - JJ - S3133, S3173, S3233
	38456065	Switch Button - BP - S3135
44	28212026	Switch
45	38314002	Spring
46	34723001	Retainer

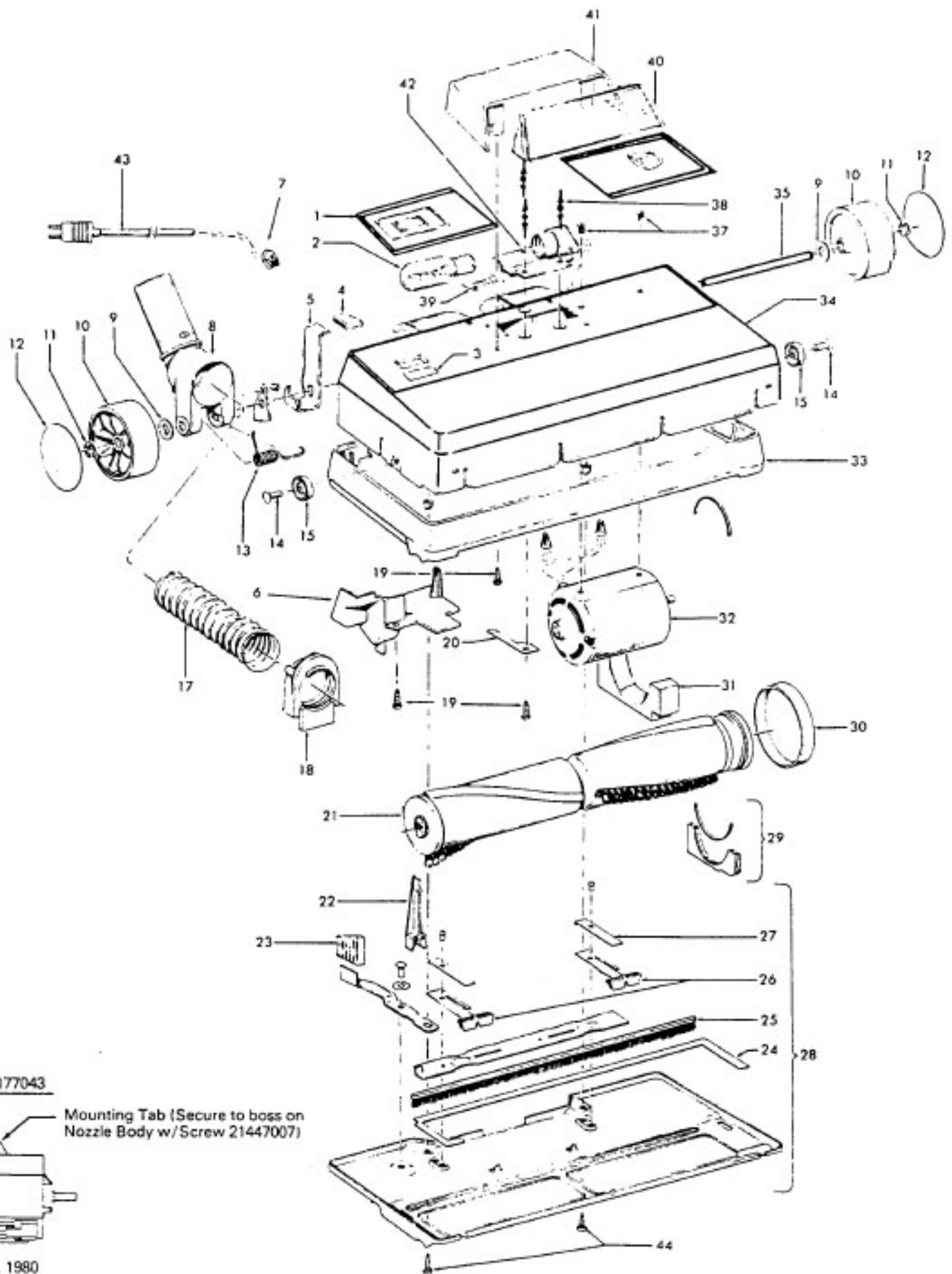
S3073, S3073-030, S3079, S3079-030, S3079-035, S3081,  
 S3083, S3083-030, S3093, S3121, S3123, S3125, S3125-030,  
 S3127, S3131, S3131-030, S3133, S3135, S3147, S3149, S3159  
 S3161, S3165, S3167, S3169, S3215



Ref. No.	Part No.	Description
1	33421004	Field Lamination Bolt
2	21429406	Screw
3	167696AG	Brush Housing - Only
4	N/A	Brush Holder - Use Brush Carrier Assem. 47318008 It. 6.
5	167681	Carbon Brush & Terminal
6	47318008	Brush Housing - Comp.
7	27666551	Terminal
8	38353004	Spring
9	169707	Motor Housing - Upper
10	168479	Armature
11	168470	Field
12	167721FW	Spring
13	169702BZ	Bushing
14	169713FW	Motor Mounting Plate
15	167695EF	Nut
16	21312774	Washer
17	43566006	Fan
18	34785004	Spring Clip
19	169714AG	Diffuser
20	33426001	Nut
21	31148002	Spacer
22	41823002	Motor Housing - Lower

# Powered Nozzle

Models S3131, S3131-030, S3133, S3135, S3137,  
S3139, S3139-035, S3141, S3153, S3173



Motor 43177043

Mounting Tab (Secure to boss on  
Nozzle Body w/ Screw 21447007)



After Jan. 1980

## Powered Nozzle

Ref. No.	Part No.	Description
1	52125021 52125032 51375018	Nameplate - S3131, S3131-030 Nameplate - S3133 Nameplate - S3135, S3139, S3139-035, S3141
	51375027 51375025	Nameplate - S3137 Nameplate - S3139, S3139-035, S3141
	51375026 51375040	Nameplate - S3153 Nameplate - S3173
2	27317307	Lamp - S3139, S3139-035, S3141, S3153
3	39382013	Indicator Lens - S3135, S3137, S3139, S3139-035, S3141, S3153
4	38426072	Foot Pad - JM
5	34664007	Release Lever
6	37943010	Cover
7	163768	Strain Relief
8	43468013	Nozzle
9	31155005	Washer
10	38522001	Wheel
11	13730	Lock Ring
12	169242	Wheel Cover
13	38355005	Torsion Spring
14	21256025	Rivet
15	32761001	Wheel
17	43431196	Hose
18	38638013	Hose Adapter
19	21429404	Screw
20	35412003	Spring
21	48418004	Agitator
22	51151031	Indicator - JM
23	38426080	Foot Pad
24	34123001	Seal
25	48443001	Brush - S3135, S3137, S3139, S3139-035, S3141, S3153
26	36952008	Brush Support
27	34654003	Spring
28	42246007 42246003	Bottom Plate Bottom Plate - S3135, S3137, S3139, S3139-035, S3141, S3153
29	43548001	Agitator Seal
30	38528009	Belt

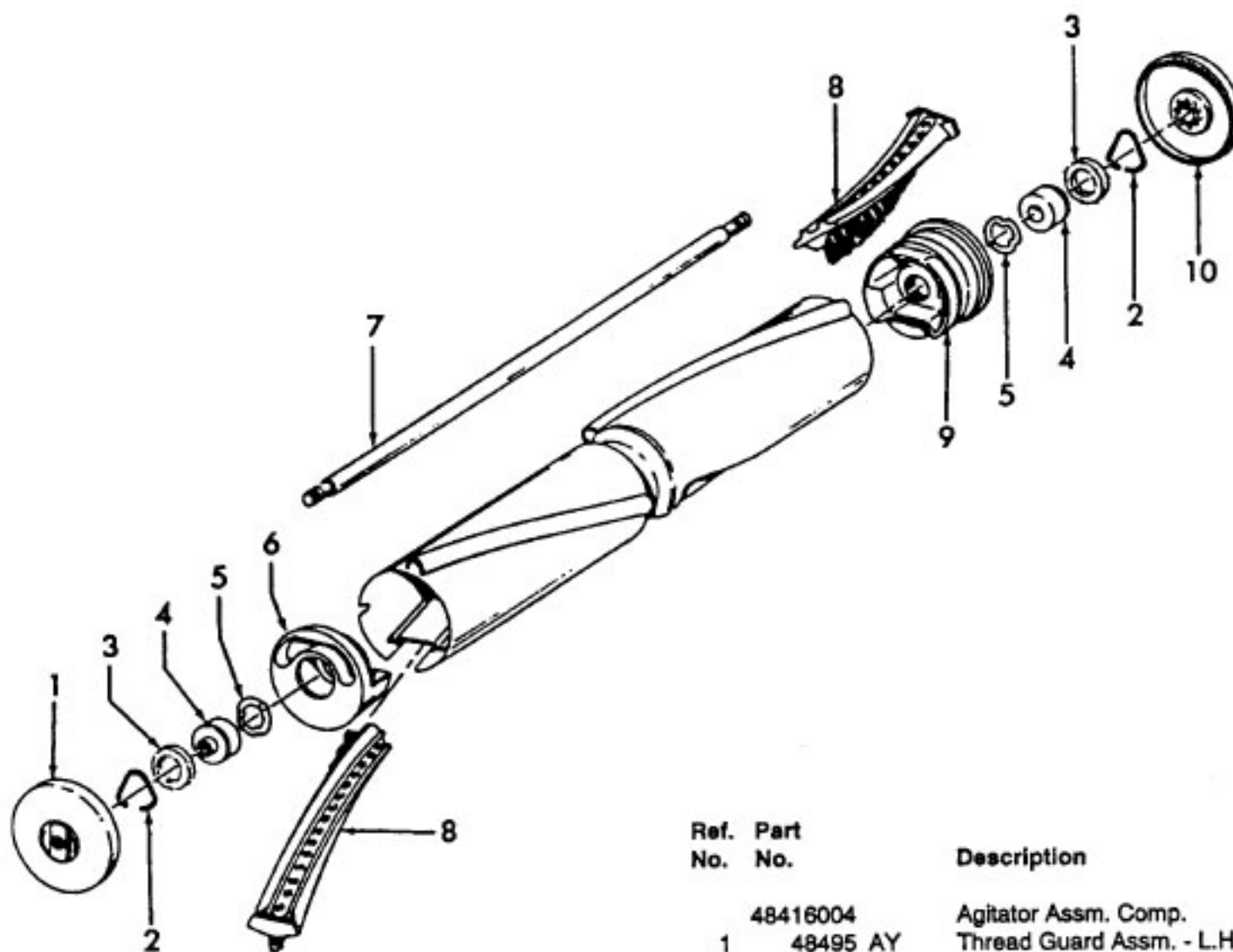
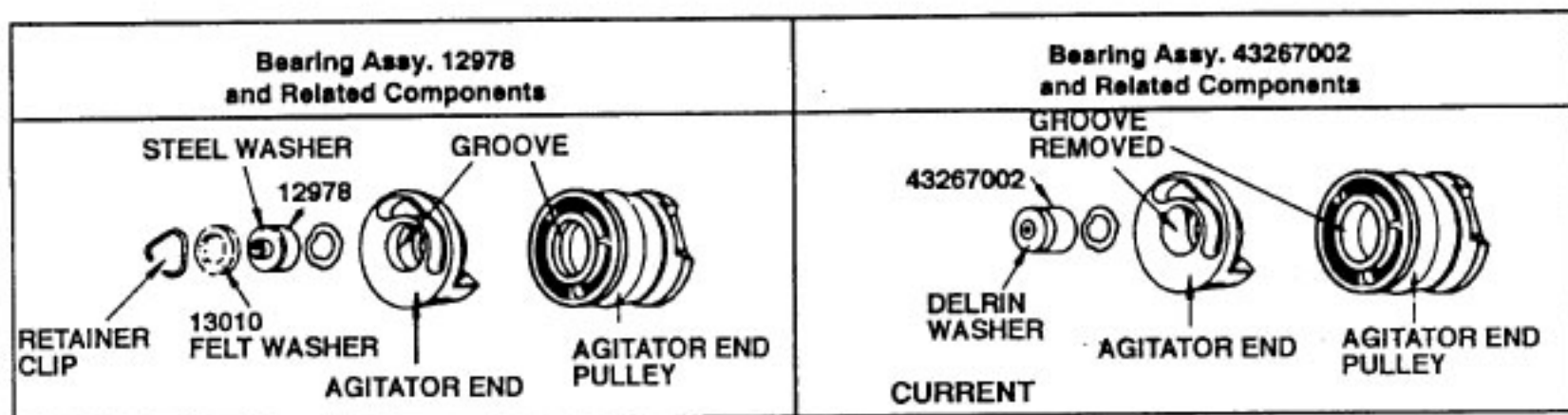
## Models S3131, S3131-030, S3133, S3135, S3137 S3139, S3139-035, S3141, S3153, S3173

Ref. No.	Part No.	Description
31	38781003	Dirt Seal - Prior to Jan. 1980 (Use w/27212011 Motor)
	34284001	Motor Baffle - After Jan. 1980 (Use w/43177073 Motor)
32	27212011	Motor - Prior to Jan. 1980 (Use w/21434224 Screw (2))
	43177073	Motor w/Mounting Tab - After Jan. 1980 (Use w/21447007 Screw (1))
33	36235002	Furniture Guard - JM - S3131, S3131-030, S3135, S3139, S3139- 035, S3141
34	42241041	Nozzle Body - JM
35	32543002	Wheel Shaft
37	21434224	Screw (2) - Prior to Jan. 1980 (Use w/27212011 Motor)
	21447007	Screw (1) - After Jan. 1980 (Use w/43177073 Motor)
38	36218005	Insulation Grommet
39	51638007	Handle Release Label
	51639026	Handle Release Label - S3139, S3139-035, S3141
	51639027	Handle Release Label - S3153
40	39383016	Lens - KC
41	42252001	Housing Assembly
42	27171002	Lamp Socket
43	46321002	Attachment Cord - AG
44	21447003	Screw

### ITEMS NOT ILLUSTRATED

46348016	Cord Set - S3131-030
48438011	P.N. Assm. - S3133
48438012	P.N. Assm. - S3131, S3131-030
48438055	P.N. Assm. - S3139, S3139-035, S3141, S3153, S3173
48438014	P.N. Assm. - S3137
48438015	P.N. Assm. - S3135
48438084	P.N. w/o Lens & Nameplate
34618017	Bracket Assm. (Use w/27212011 (Plastic Case) when installing on old style Nozzle Body with two mounting holes.

Models S3057, S3059, S3059-030, S3061, S3061-030, S3077, S3079, S3079-030, S3079-035, S3081, S3083, S3083-030, S3093, S3127, S3131, S3131-030, S3133, S3135, S3137, S3139, S3139-035, S3141, S3147, S3149, S3153, S3161, S3173



Ref. No.	Part No.	Description
	48416004	Agitator Assm. Comp.
1	48495 AY	Thread Guard Assm. - L.H.
2	12987	Retainer Clip (2)
3	13010	Washer - Felt (2)
4	12978	Agitator Bearing Assm. (2) (Use w/Item 2 & 3)
	43267002	Agitator Bearing Assm. (2) (Current)
5	21347003	Washer (2)
6	160542	Agitator End Assm.
7	160070	Agitator Shaft
8	160646 BZ	Agitator Brush Back Assm. (2)
9	160538	Agitator End Pulley
10	12985 AY	Agitator Thread Guard Assm. - R.H.

# Cleaning Tools

# Models S3131, S3131-030, S3133, S3135, S3137 S3139, S3139-035, S3141, S3153, S3173

Ref. No.	Part No.	Description
1	43434191	Hose - ABX - S3131
	161852JM	Furniture Brush
	43414016	Furniture Brush - AG
3	13077JM	Floor Brush
	43414073	Floor Brush
4	161851JM	Dusting Brush
	43414064	Dusting Brush (One Piece)
5	43414057	Furniture Nozzle
6	38617017	Crevice Tool
7	43453052	Ext. Tube - 20 - AX
	43453088	Ext. Tube (2) (17")
	43453086	Ext. Tube (1) (22")
8	43433085	Current Carrying Hose - AAP
9	13263	Brush (Use w/ 61851 JM)
10	13253AG	Brush
11	13276	Swivel Bushing (2) (Use w/13154JM)
	33712007	Split Ring (Use w/38644040)
12	13154	Swivel Connector (Use w/13077JM)
	38644040	Swivel Connector (Use w/48473025)
14	13149JM	Connector Tube (Use w/161852JM)

Ref. No.	Part No.	Description
15	32855003	Hose Connector
16	12615BZ	Collar
17	32156010	Hose Sleeve
18	43434213	Hose Complete
19	36116006	Collar
20	43466044	Hose Grip - JM
21	38711006	Suction Control Ring
22	51869006	Label
23	36153009	Latch Ring
24	12783	Rivet
25	36171005	Cord Clip
26	12845JM	Gasket
27	13275	Screw
28	13142AG	Suction Control
29	13257BZ	Support
30	43468055	Hose Tube (Early) 17"
	43453023	Hose Tube Curved - AX - 20
31	36153009	Latch Ring
32	46321076	Cord Repair Kit

