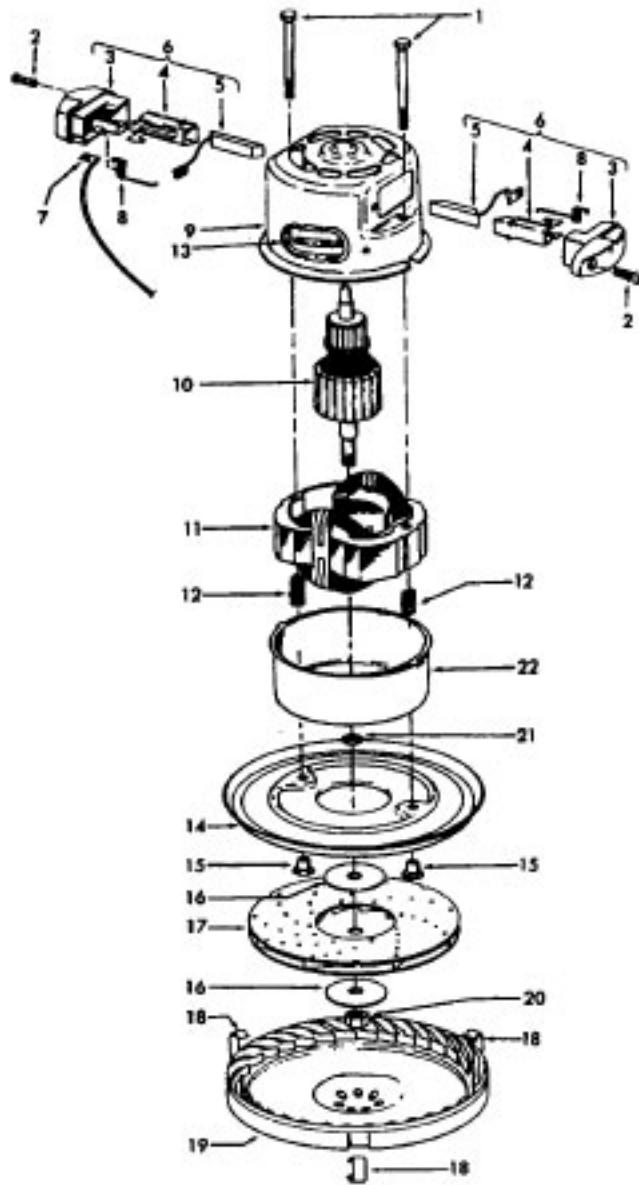


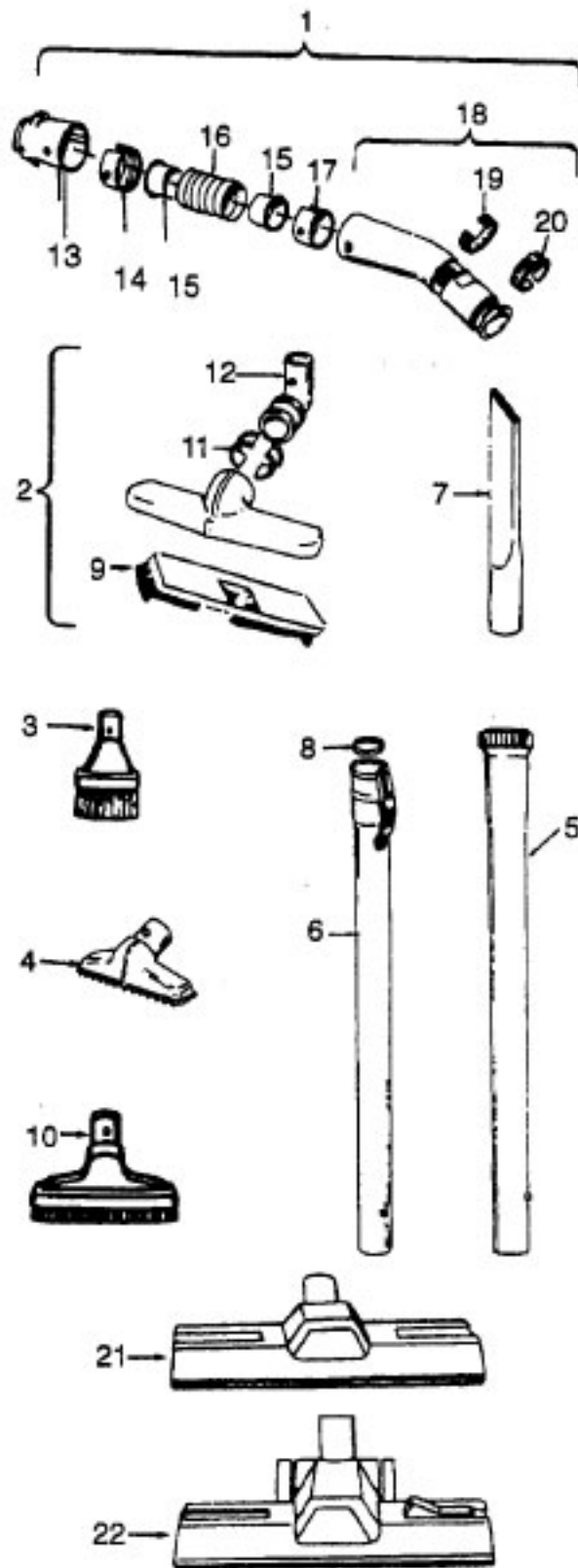
| Ref. No. | Part No. | Description |
|----------|----------|-------------------------|
| 1 | 47938 | Hinge Pin |
| 2 | 170362JM | Cord Clip |
| 3 | 170351 | Hinge Leaf - Upper |
| 4 | 48123AV | Lock Ring |
| 5 | 42211027 | Upper Shell - JV |
| 6 | 170361JM | Furniture Guard |
| 7 | 21447017 | Screw |
| 8 | 17001FW | Screw |
| 9 | 170377JM | Motor Cover |
| 10 | 48969 | Wire Nut |
| 11 | 21652003 | Hex Nut |
| 12 | 27479307 | Wire Tie |
| 13 | 170348AW | Hinge Leaf - Lower |
| 14 | 27482301 | Strain Relief Bushing |
| 15 | 46363195 | Cord |
| 16 | 42213068 | Intermediate Shell - JE |
| 17 | 169293 | Resilient Mount - Upper |
| 19 | 43177008 | Motor - (P - 39) |
| 20 | 169294 | Resilient Mount - Lower |
| 21 | 31114008 | Muffler |
| 22 | 31721025 | Spacer |
| 23 | 41421331 | Bottom Pan - JE |
| 24 | 28212026 | Switch |
| 25 | 31324001 | Spacer |
| 26 | 38424001 | Pedal - JM |
| 27 | 170352AG | Bag Collar Connector |
| 28 | 36151012 | Latch |
| 29 | 39457006 | Handle - JM |
| 30 | 48512FW | Spring |
| 31 | 16439JX | Latch |
| 32 | 21447024 | Screw |
| 33 | 4010009H | Throw Away Bag - 3 Pk. |
| 34 | 170332BZ | Filter |
| 35 | 51661008 | Medallion |
| 36 | 23737202 | Caster Wheel |
| | 56513123 | Owner Manual |
| | 58177087 | Cleaner Carton |
| | 58259001 | Top Support |
| | 58343002 | Bottom Support |

Cleaning Tools - (P - 93)
 Rug & Floor Nozzle - (P - 94/188)

S3073, S3073-030, S3079, S3079-030, S3079-035, S3081,
 S3083, S3083-030, S3093, S3121, S3123, S3125, S3125-030,
 S3127, S3131, S3131-030, S3133, S3135, S3147, S3149, S3159
 S3161, S3165, S3167, S3169, S3215



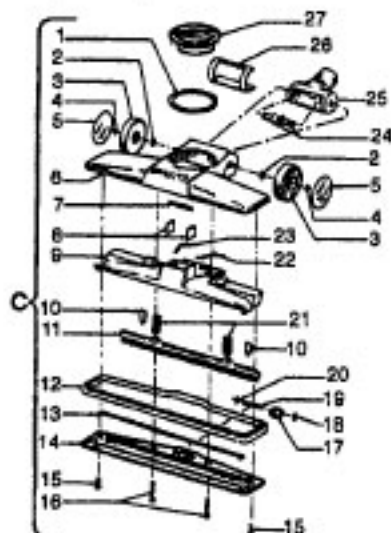
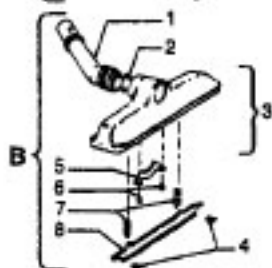
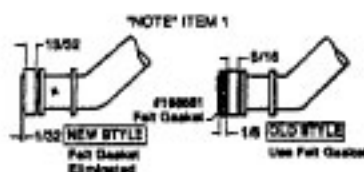
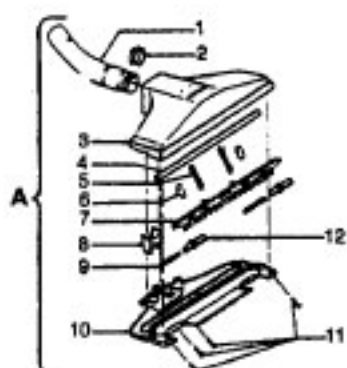
| Ref. No. | Part No. | Description |
|----------|----------|---|
| 1 | 33421004 | Field Lamination Bolt |
| 2 | 21429406 | Screw |
| 3 | 167696AG | Brush Housing - Only |
| 4 | N/A | Brush Holder - Use Brush Carrier Assem. 47318008 It. 6. |
| 5 | 167681 | Carbon Brush & Terminal |
| 6 | 47318008 | Brush Housing - Comp. |
| 7 | 27666551 | Terminal |
| 8 | 38353004 | Spring |
| 9 | 169707 | Motor Housing - Upper |
| 10 | 168479 | Armature |
| 11 | 168470 | Field |
| 12 | 167721FW | Spring |
| 13 | 169702BZ | Bushing |
| 14 | 169713FW | Motor Mounting Plate |
| 15 | 167695EF | Nut |
| 16 | 21312774 | Washer |
| 17 | 43566006 | Fan |
| 18 | 34785004 | Spring Clip |
| 19 | 169714AG | Diffuser |
| 20 | 33426001 | Nut |
| 21 | 31148002 | Spacer |
| 22 | 41823002 | Motor Housing - Lower |



| Ref. No. | Part No. | Description |
|----------|----------|---|
| 1 | 43434191 | Hose - JM - S/C - 6"Wire - Celebrity |
| | 43434155 | Hose - JM - S/C - 6"Wire - Spirit |
| | 43434013 | Hose Assem. - Stretch (not pictured) |
| | 43434065 | Hose - JM - 6"Wire - Spirit |
| | 43434130 | Hose - JM - 7.5" Molded - Spirit |
| | 43434131 | Hose - AAP - 7.5' - Molded - Spirit |
| | 43434125 | Hose - AAP - S/C - 7' - Molded - Spirit |
| | 43434126 | Hose - AAV - S/C - 6' - Molded - Spirit |
| | 43434231 | Hose - AAP - 6' - Molded - Spirit |
| | 43434233 | Hose - AG/ABX 6" Molded - Sprint |
| | 2 | 43414072 |
| | 43414073 | Floor Brush - AG |
| 3 | 43414064 | Dusting Brush - AG |
| 4 | 43414057 | Furniture Nozzle - AAP |
| | 38614020 | Furniture Nozzle - JM - 1 Pc. |
| | 38614024 | Furniture Nozzle - AG - 1 Pc. |
| 5 | 43453037 | Extension Tube - Poly - 20 - JM |
| | 3863801P | Extension Tube - Poly - AG |
| 6 | 43453052 | Extension Tube - 20 - AX |
| 7 | 38617017 | Crevice Tool - AG |
| 8 | 12845JM | Gasket |
| 9 | 48447001 | Brush Back |
| 10 | 43414015 | Furniture Brush - JM |
| | 43414016 | Furniture Brush - AG |
| 11 | 33712007 | Split Ring |
| 12 | 38644020 | Swivel Connector - AG |
| | 38644040 | Swivel Connector - AAP |
| 13 | 32855003 | Hose Connector - Celeb. |
| | 38638017 | Hose Connector - AAP - Molded Hose |
| | 38638019 | Hose Connection - AAP |
| | 38638039 | Hose Connector - AG - Molded Hose |
| 14 | 12615BZ | Collar (All Wire Hoses) |
| | 38671011 | Collar (Molded Hoses) |
| 15 | 32156010 | Sleeve (All Hoses) |
| 16 | 38671029 | Hose - 6' - AAV - Molded |
| | 38671033 | Hose - 6' - ABX - Molded |
| 17 | 36116006 | Collar (All Wire Hoses) |
| | 36171025 | Collar (Molded Hose) |
| 18 | 43466044 | Hose Grip - AAP - S/C |
| | 43466066 | Hose Grip - AG |
| 19 | 38711006 | Suction Control Ring - JM |
| | 38711007 | Suction Control Ring - MV |
| 20 | 36153009 | Latch Ring - AG |
| 21 | 43414139 | Rug & Floor Nozzle - AAP - (P - 188) |
| | 0M114169 | Rug & Floor Nozzle - ABE - (P - 188) |
| 22 | 43414101 | Rug & Floor Nozzle - DLX - (P - 188) |

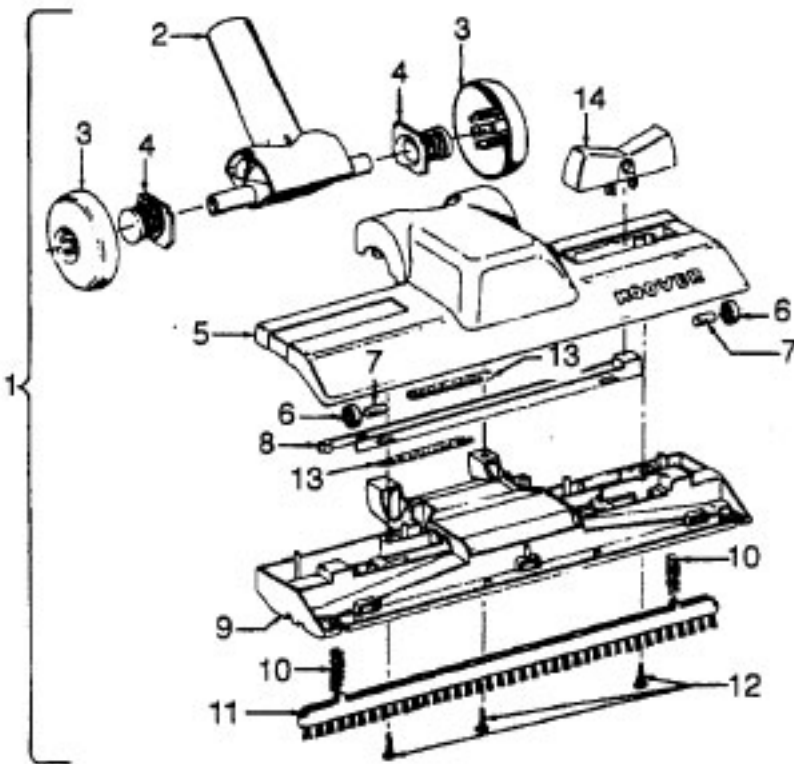
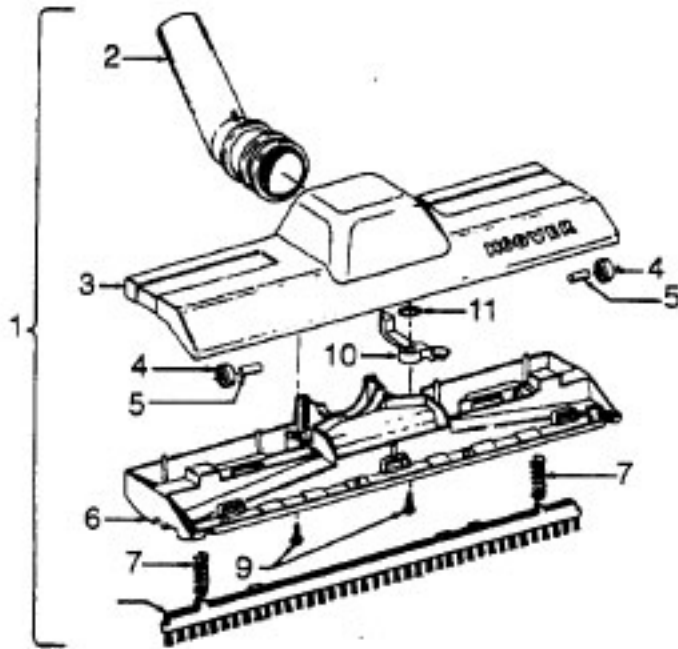
Rug & Floor Nozzle

Models S3183, S3187, S3187-030, S3203, S3205, S3207, S3215, S3241, S3247, S3257, S3259, S3289, S3291, S3299, S3299-031, S3401



| | | |
|----|----------|--|
| A | 48476026 | Rug & Floor Nozzle - AAP - S3205, S3299, S3299-031 (Replaced by 43414101 +) |
| 1 | 43463012 | Connector Tube |
| 2 | 13267 | Felt Gasket |
| 3 | 38615156 | Nozzle Body - JM - S3299 |
| 4 | 13259PH | Litter Picker |
| 5 | 15963FW | Spring |
| 6 | 13261AY | Rib Shoe |
| 7 | 16184 | Brush Back |
| 8 | 161413 | Tube Retainer |
| 9 | 31524005 | Roller Shaft |
| 10 | 42246002 | Bottom Plate |
| 11 | 12955 | Screw |
| 12 | 13157AG | Roller |
| B | 43414105 | Rug & Floor Nozzle - AAP - S3183, S3203, S3215, S3241, S3247, S3289, S3291, S3401 (Replaced by 43414121) |
| 1 | 166652JM | Nozzle Tube (See Note) |
| 2 | 166651 | Gasket |
| 3 | 43414089 | Nozzle Body - JM |
| 4 | 166646 | Brush Retainer |
| 5 | 166650AY | Tube Clamp |
| 6 | 166648AW | Screw |
| 7 | 166649FW | Spring |
| 8 | 166656 | Brush Back |
| C | 48476064 | Rug & Floor Nozzle - AAP - S3187, S3187-030 (Replaced by 43414101) |
| | 48476066 | Rug & Floor Nozzle - JM - S3207, S3257 (Replaced by 43414101) |
| | 43414101 | Rug & Floor Nozzle - MX - S3259 |
| 1 | 34113001 | Foam Seal |
| 2 | 169241AW | Washer |
| 3 | 169239JR | Wheel |
| | 169239AG | Wheel - S3207 |
| 4 | 13730 | Lock Ring |
| 5 | 169242 | Wheel Cover |
| 6 | 38615161 | Nozzle Body - JM |
| 7 | 34112001 | Foam Seal |
| 8 | 34223002 | Felt Seal |
| 9 | 169250AG | Brush Housing |
| 10 | 169253AY | Rib Shoe |
| 11 | 169256 | Brush Back |
| 12 | 169247JR | Furniture Guard |
| | 169247JM | Furniture Guard - S3207, S3257 |
| 13 | 169251 | Gasket |
| 14 | 169538 | Bottom Plate |
| 15 | 21481464 | Screw |
| 16 | 21481465 | Screw |
| 17 | 169243AG | Roller |
| 18 | 21312758 | Washer |
| 19 | 169244AW | Roller Shaft |
| 20 | 24735081 | Lock Ring |
| 21 | 166649FW | Spring |
| 22 | 34513001 | Foam Seal - L.H. |
| 23 | 34513002 | Foam Seal - R.H. |
| 24 | 169240AY | Wheel Shaft |
| 25 | 169249JM | Connector Tube |
| 26 | 34122006 | Seal |
| 27 | 169254JM | Control Knob |

Rug & Floor Nozzle



| Ref. No. | Part No. | Description |
|----------|----------|--|
| 1 | 43414121 | Standard Rug & Floor Nozzle Assem. - AAP |
| | 43414139 | Standard Rug & Floor Nozzle Assem. - AAP |
| | 43414140 | Standard Rug & Floor Nozzle Assem. - ABE (S3393-020, S3521) |
| | 0M114169 | Standard Rug & Floor Nozzle - ABX - S1221, S1315, S1337, S3393-040 |
| | 43414170 | Standard Rug & Floor Nozzle AG - S1339, S3547 |
| 2 | 43414172 | Standard Rug & Floor Nozzle - AG |
| 3 | 38646039 | Nozzle Tube - AG |
| | 38615153 | Rug & Floor Nozzle - AAP |
| | 38615182 | Rug & Floor Nozzle - ABE S3393-020, S3521, S1339, S3547, S1221, S1315, S1337 |
| 4 | 38521018 | Roller (2) (Nozzle 43414172 req's 4) |
| 5 | 31511004 | Roller Axle - AY (2) (Nozzle 43414172 req's 4) |
| 6 | 36414018 | Brush Housing S1221, S1315, S1337 |
| 7 | 166649FW | Spring (2) |
| 8 | 48443003 | Brush Back Assem. - AG |
| 9 | 21447203 | Screw - Self Tapping (2) |
| 10 | 38454004 | Brush Back Lever - MV |
| | 38454006 | Brush Back Lever - ABN S3393-020, S3521, S1221 S1339, S3547 |
| 11 | 21329105 | Felt Washer |

| Ref. No. | Part No. | Description |
|----------|----------|--|
| 1 | 43414101 | Deluxe Rug & Floor Nozzle Assem. - AAP |
| 2 | 38646045 | Nozzle Connector - AAP |
| 3 | 43244043 | Wheel & Bearing Assem. (2) |
| 4 | 38511016 | Wheel Bearing - AAT (2) |
| 5 | 38615180 | Rug & Floor Nozzle - AAP |
| 6 | 38521018 | Roller (2) |
| 7 | 31511004 | Roller Axle - AY (2) |
| 8 | 38451008 | Slider - AG |
| 9 | 36414013 | Brush Housing - MV |
| 10 | 166649FW | Spring (2) |
| 11 | 48443004 | Brush Back Assem. - AG |
| 12 | 21447203 | Screw - Self Tapping (3) |
| 13 | 34122013 | Seal (2) |
| 14 | 38434015 | Pedal - MV |