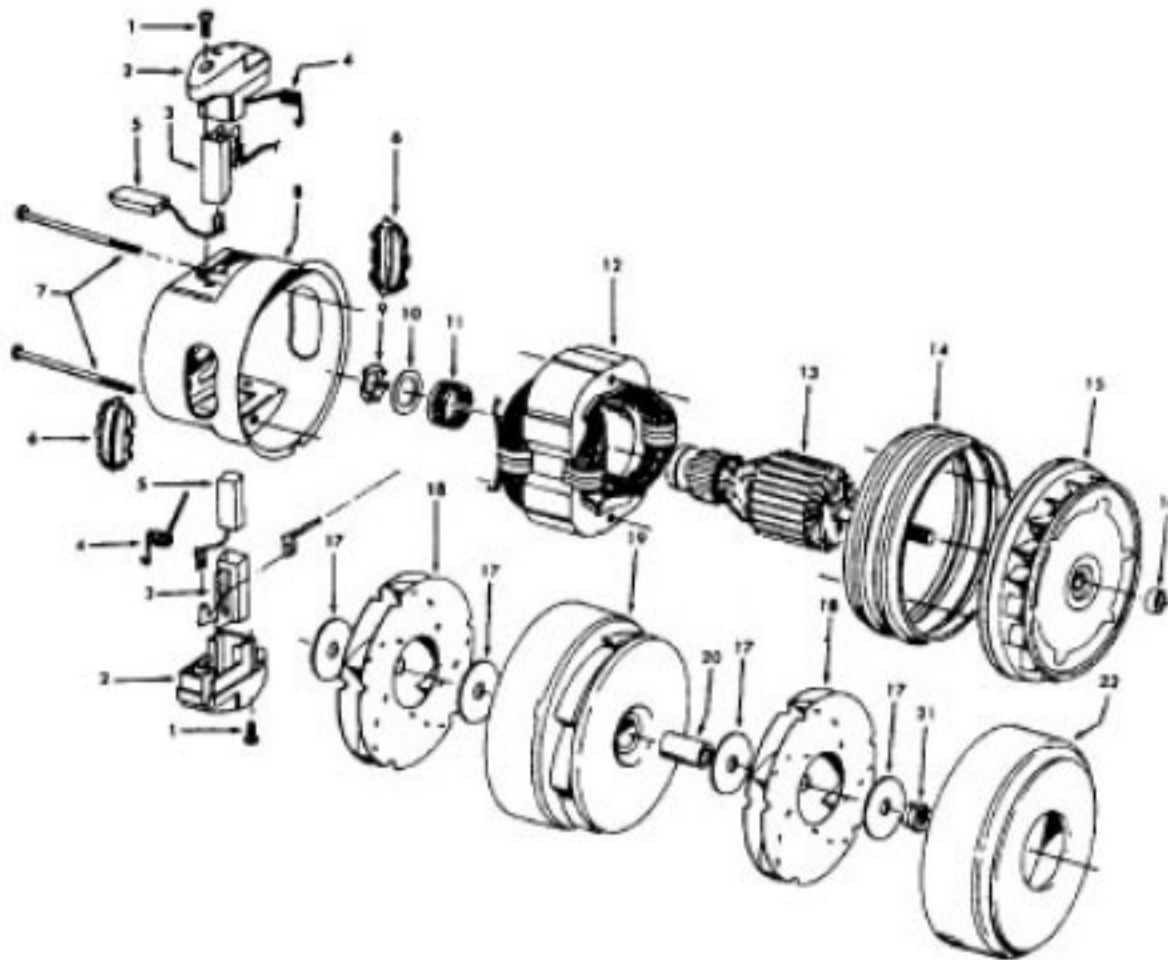


Motor 43578051 (3.1)
43578069 (4.0)



| Ref. No. | Part No. | Description |
|----------|----------|---------------------------|
| 1 | 21429406 | Screw |
| 2 | 168038AG | Brush Carrier |
| 3 | 168506-- | Brush Holder |
| 4 | 38353004 | Spring |
| 5 | 167679 | Carbon Brush |
| 6 | 169702BZ | Bushing |
| 7 | 36112003 | Bolt 3.1 |
| | 21563061 | Bolt 4.0 |
| 8 | 42192016 | Motor Housing |
| 9 | 21345116 | Spring Washer |
| 10 | 21312778 | Thrust Washer |
| 11 | 24198002 | Star Ring |
| 12 | 45311048 | Field Coil 3.1 |
| | 45311022 | Field Coil 4.0 |
| 13 | 44765185 | Armature 3.1 |
| | 44765225 | Armature 4.0 |
| 14 | 31195003 | Motor Mount Insulator 3.1 |
| | 31195004 | Motor Mount Insulator 4.0 |
| 15 | 43551013 | Diffuser |
| 16 | 31148009 | Spacer |
| 17 | 21312701 | Washer |
| 18 | 43566017 | Fan |
| 19 | 42192033 | Interstage |
| 20 | 31743003 | Spacer |
| 21 | 33426001 | Nut |
| 22 | 37196087 | Fan Cover |

Motor:

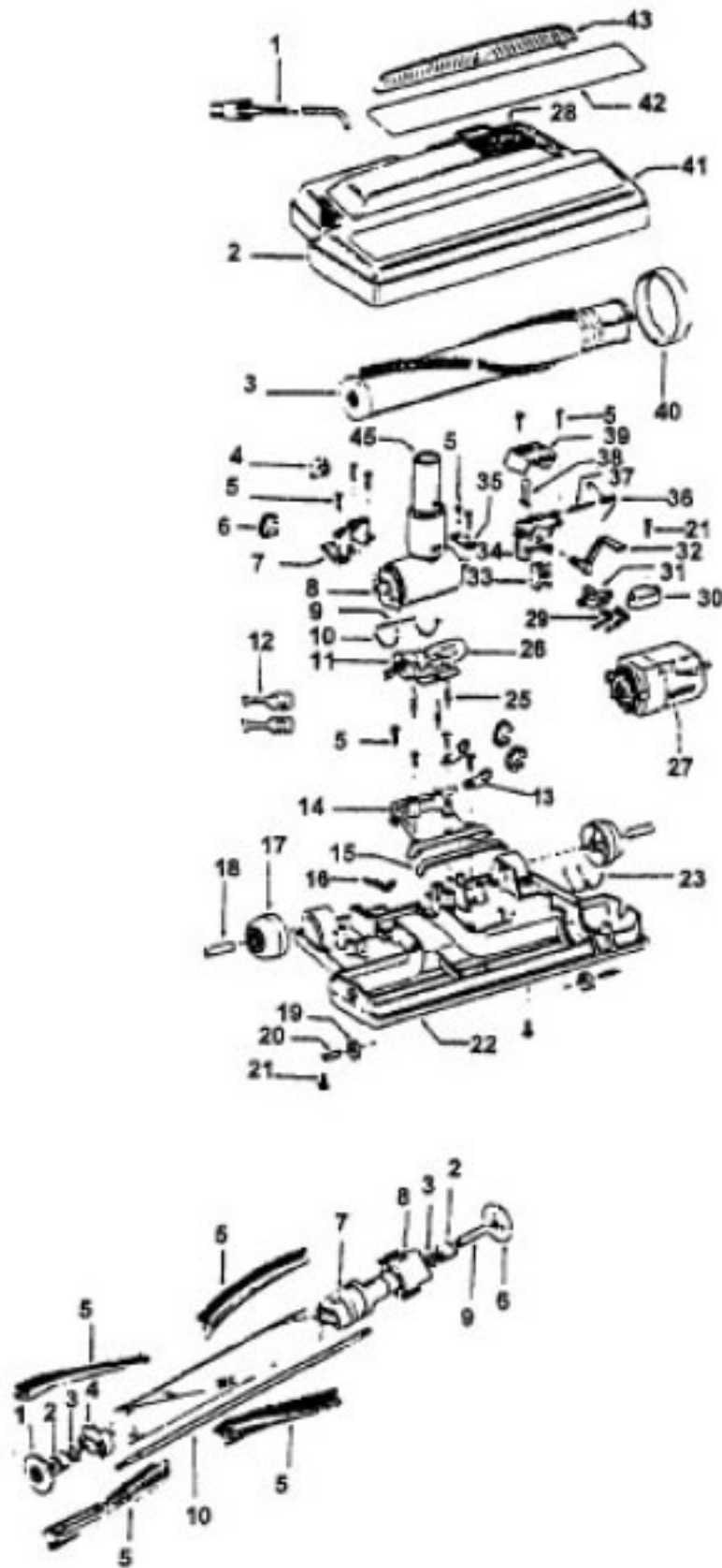
| | 43578051 | 43578069 |
|--|-----------|-----------|
| | S3259 | S3269-036 |
| | S3269 | S3269-070 |
| | S3269-060 | S3271-036 |
| | S3271 | S3271-070 |
| | S3271-060 | S3483 |
| | S3295-031 | S3485 |
| | S3299-031 | S3485-070 |
| | S3405 | S3487 |
| | S3419 | S3499 |
| | S3423 | S3501 |
| | S3441-031 | S3503 |
| | S3441-070 | S3505 |
| | S3473 | S3621 |
| | S3475 | S3629 |
| | S3481 | S3631 |
| | S3627 | |

Power Nozzle:

48438024 - MX - S3269, S3271, S3475

+48438037 - LZ - S3427

Models S3269, S3271, S3427, S3475



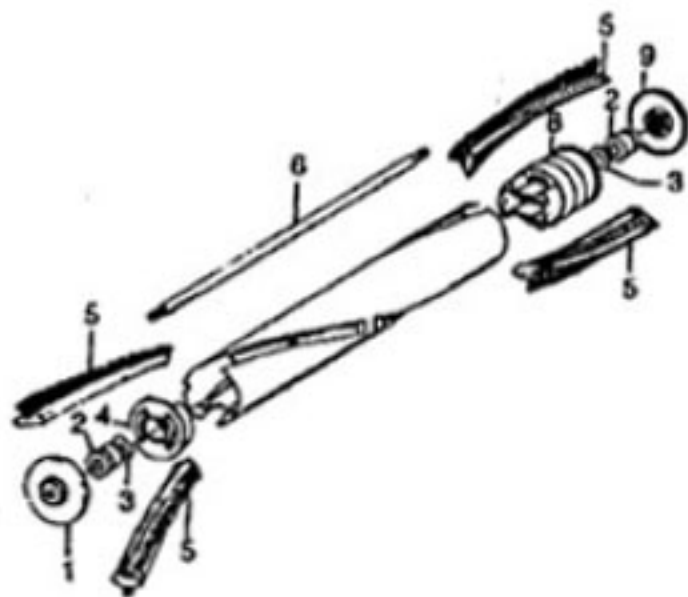
Agitator 48416030

| | | |
|----|----------|----------------|
| 1 | 48495AY | Thread Guard |
| 2 | 43267002 | Bearing |
| 3 | 21347003 | Washer |
| 4 | 36422001 | End |
| 5 | 48445017 | Agitator Brush |
| 6 | 41435018 | Thread Guard |
| 7 | 38537008 | End Pulley |
| 8 | 48418001 | Brush Ring |
| 9 | 31722019 | Spacer |
| 10 | 32724005 | Shaft |

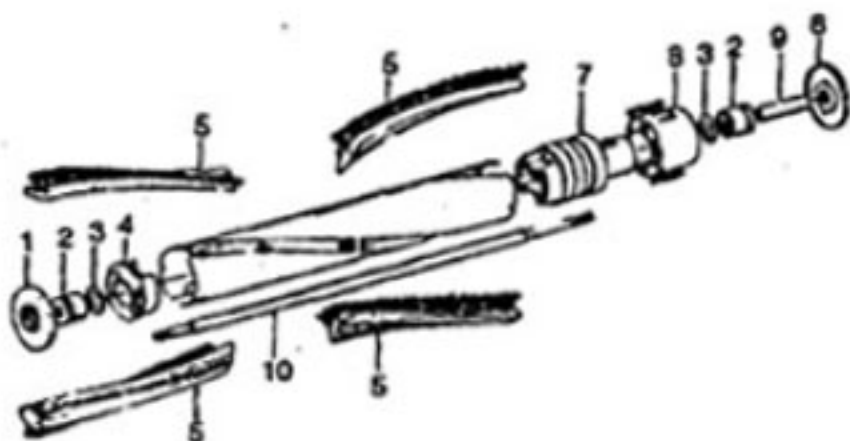
| Ref. No. | Part No. | Description |
|----------|----------|--|
| 1 | 48438055 | Power Nozzle -TF - 4.5' Cord |
| | 46321088 | Cord - 3.5' |
| | 46321005 | Attachment Cord |
| 2 | 36231097 | Furniture Guard - ML - S3269 |
| | 36231096 | Furniture Guard - MY - S3271, S3475 |
| | 36231106 | Furniture Guard - MW - S3427 |
| 3 | 48416030 | Agitator - 4B |
| 4 | 163768 | Strain Relief |
| 5 | 21447041 | Screw |
| 6 | 27479307 | Wire Tie |
| 7 | 36131029 | Retainer Housing - LZ |
| | 36131023 | Retainer Housing - MX |
| | 36131065 | Retainer Housing - AAK |
| 8 | 43481021 | Nozzle Connector - AG |
| 9 | 34112005 | Seal |
| 10 | 34337003 | Seal |
| 11 | 47171009 | Lamp Socket |
| 12 | 48969 | Wire Nut |
| 13 | 45517 | Wire Holder |
| 14 | 42258098 | Duct Cover |
| 15 | 34123017 | Seal |
| 16 | 35276001 | Detent Spring |
| 17 | 32175025 | Wheel - AG |
| 18 | 31523005 | Wheel Shaft |
| 19 | 32761001 | Wheel |
| 20 | 31522004 | Wheel Shaft |
| 21 | 21447007 | Screw |
| 22 | 42246121 | Base Plate (Inc. items 17, 18, 19, 20, 23) |
| 23 | 34337004 | Lower Seal |
| | 34378010 | Upper Seal |
| 25 | 36218005 | Grommet |
| 26 | 27317307 | Lamp - 15 |
| 27 | 43177073 | Motor |
| 28 | 51865005 | Indicator Lens |
| 29 | 27666702 | Terminal |
| 30 | 37258082 | Shield |
| 31 | 281770KD | Switch |
| 32 | 51151053 | Indicator - PH |
| 33 | 34361001 | Switch Actuator |
| 34 | 42262032 | Housing |
| 35 | 36131017 | Retainer |
| 36 | 38353007 | Torsion Spring |
| 37 | 31523006 | Pivot Pin |
| 38 | 38458002 | Depressor |
| 39 | 38433046 | Switch Pedal - ML - S3269 |
| | 38433044 | Switch Pedal - MY - S3271 |
| | 38433067 | Switch Pedal - MW - S3427, S3475 |
| 40 | 38528011 | Belt |
| 41 | 42252189 | Nozzle Body - AG - S3269, S3271, S3427 |
| | 42252186 | Nozzle Body - AAK - S3475 |
| 42 | 52125084 | Nameplate - S3269 |
| | 52125082 | Nameplate - S3271 |
| | 52125091 | Nameplate - S3427 |
| | 52125114 | Nameplate - S3475 |
| 43 | 39383060 | Lens |
| 45 | 43457037 | Swivel Tube - AG - S3271, S3475 |

Agitator

Models S3181, S3189, S3191, S3193, S3195, S3195-030
 S3199, S3201, S3209, S3211, S3213, S3217, S3219,
 S3233, S3237, S3239, S3245, S3261, S3263, S3265
 S3269, S3271, S3403, S3425, S3425-030



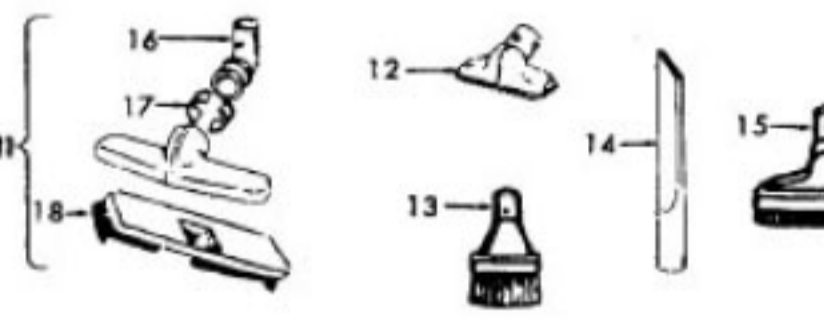
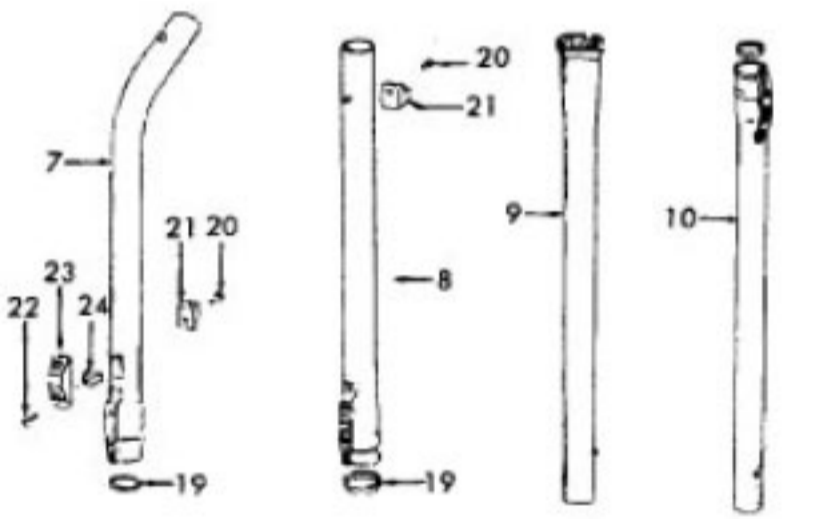
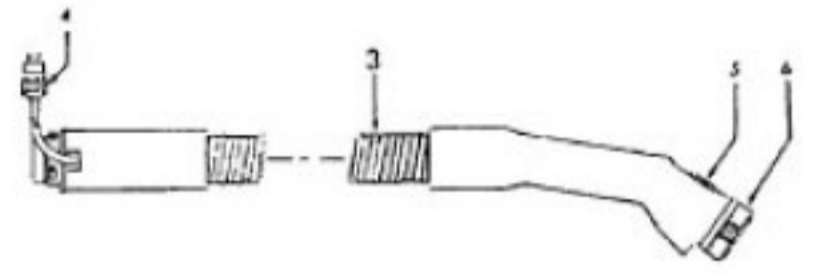
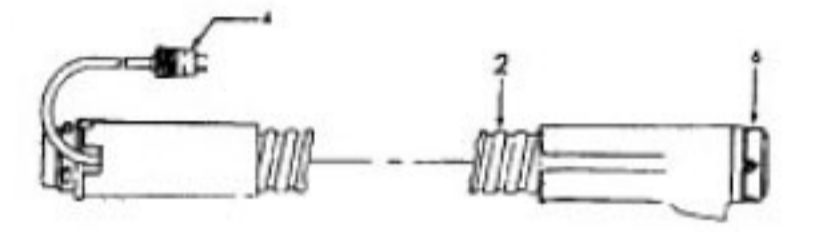
| Ref. No. | Part No. | Description |
|----------|----------|--|
| 1 | 41435018 | Thread Guard |
| 2 | 43267002 | Bearing |
| 3 | 21347003 | Washer |
| 4 | 38422001 | End |
| 5 | 41435023 | End - S3425-060 |
| 5 | 48445017 | Agitator Brush |
| 6 | 160070 | Shaft |
| 8 | 38537002 | End Pulley |
| 9 | 41435021 | Thread Guard |
| | 48416009 | Agitator - S3181, S3189, S3191, S3193, S3217, S3209, S3211, S3213, S3245, S3261, S3263, S3403, S3425-060 |



| Ref. No. | Part No. | Description |
|----------|----------|--|
| 1 | 48495AY | Thread Guard |
| 2 | 43267002 | Bearing |
| 3 | 21347003 | Washer |
| 4 | 41435023 | End |
| 5 | 48445017 | Agitator Brush |
| 6 | 41435018 | Thread Guard |
| 7 | 38537008 | End Pulley |
| 8 | 48418001 | Brush Ring |
| 9 | 31722019 | Spacer |
| 10 | 32724005 | Shaft |
| | 48416030 | Agitator Comp. - S3195, S3195-030, S3199, S3201, S3219, S3233, S3237, S3239, S3265, S3269, S3271 |

Cleaning Tools

Spirit & Celebrity



| Ref. No. | Part No. | Description |
|----------|----------|--------------------------------------|
| 1 | 43433085 | Hose - AAP - Celebrity |
| 2 | 43433032 | Hose - JM - Spirit - 5-1/2' |
| 3 | 43433067 | Hose - AAP - Spirit - 5-1/2' |
| | 43433081 | Hose - MV - S/C - Spirit - 5-1/2' |
| | 43433084 | Hose - AAP - S/C - Spirit - 7' |
| | 43433111 | Hose - 2W - AG - S/C - Spirit |
| 4 | 46321076 | Cord Repair Kit |
| 5 | 34777005 | Suction Reg. Control - AG |
| | 34777007 | Suction Reg. Control - MV |
| 6 | 36153009 | Latch Ring - AG |
| 7 | 43468055 | Hose Tube - BL - 14 |
| 8 | 43453086 | Extension Tube - BL - 22 |
| | 43453035 | Extension Tube - AX - 22 |
| | 43453052 | Extension Tube - 20 - AX (Gray Clip) |
| | 43453058 | Extension Tube - BL - 20 (Gray Clip) |
| 9 | 3863801P | Extension Tube - Poly - AG |
| 10 | 43453027 | Extension Tube |
| 11 | 43414073 | Floor Brush - AG |
| 12 | 38614023 | Furniture Nozzle - 1 Pc. - 17 |
| | 43414057 | Furniture Nozzle - AG |
| | 38614024 | Furniture Nozzle - AG |
| 13 | 43414064 | Dusting Brush - AG |
| 14 | 38617017 | Crevice Tool - AG |
| 15 | 43414015 | Furniture Brush - JM |
| | 43414016 | Furniture Brush - AG |
| 16 | 38644040 | Swivel Connector - JM |
| | 38644020 | Swivel Connector - AG |
| 17 | 33712007 | Split Ring |
| 18 | 48447001 | Brush Back |
| 19 | 12845JM | Gasket |
| 20 | 12783 | Rivet |
| 21 | 36171008 | Cord Clip - MV |
| | 36171005 | Cord Clip - AG |
| 22 | 13275 | Screw |
| 23 | 13142AG | Suction Control |
| 24 | 13257BZ | Support |

