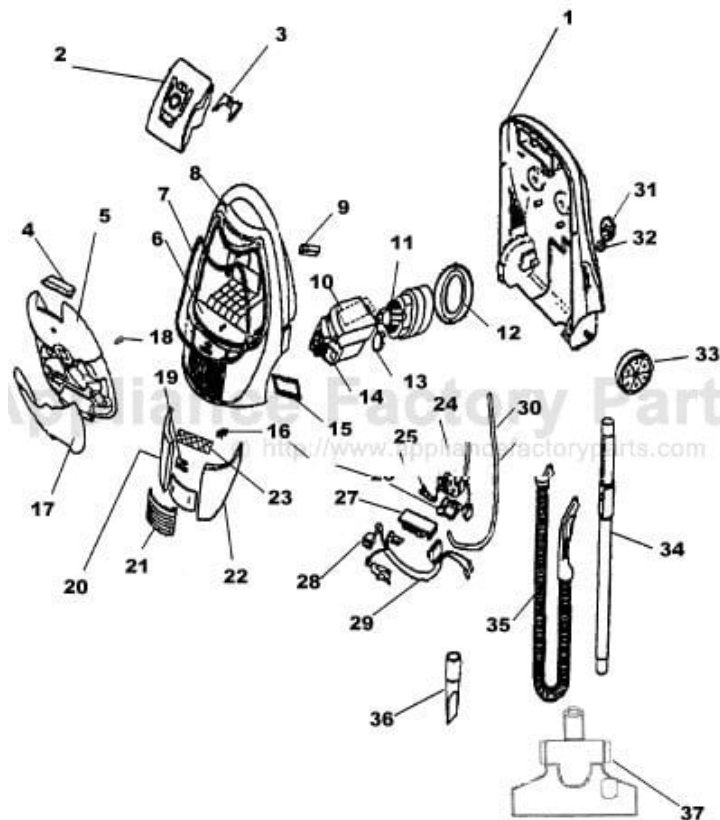


This Owner's Manual is provided and hosted by [Appliance Factory Parts](http://Appliance Factory Parts).



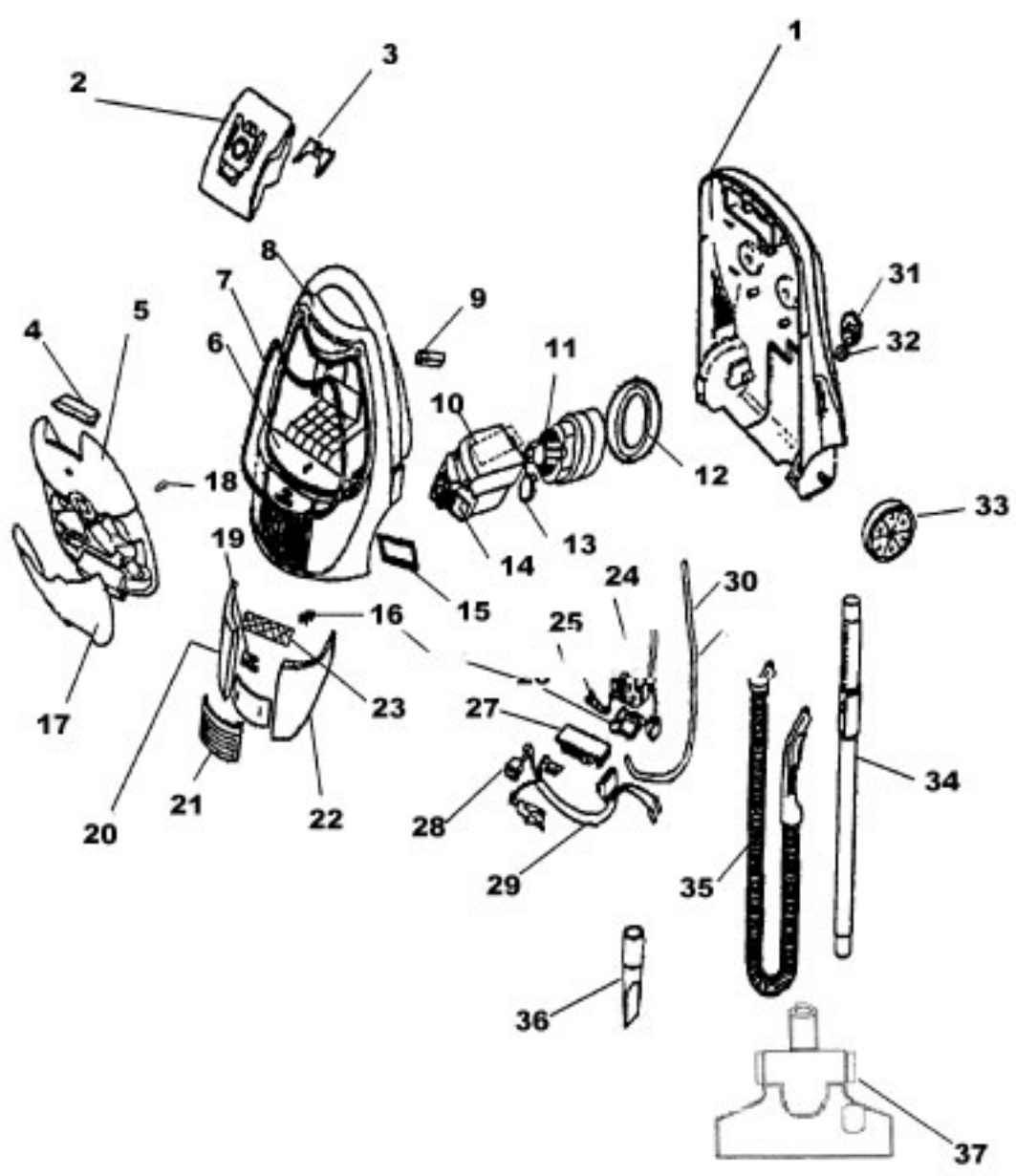
# HOOVER S3330 Owner's Manual

[Shop genuine replacement parts for HOOVER S3330](#)



[Find Your HOOVER Vacuum Cleaner Parts - Select From 1456 Models](#)

----- Manual continues below -----



59135008  
Lower Body - S3332 - Metallic Red

|    |          |  |
|----|----------|--|
|    | 59135009 | Lower Body - S3330 - Mustard Gold                        |
| 2  | 40101001 | Poly Pack - 3 Filters/ 5 Bags                            |
| 3  | 59135039 | Bag Holder   |
| 4  | 59135015 | Bag Door Latch   |
| 5  | 59135013 | Bag Door Assembly - S3332 - Metallic Red                 |
|    | 59135014 | Bag Door Assembly - S3330 - Mustard Gold                 |
| 6  | 59135054 | Control Panel  |
| 7  | 59135025 | Bag Door Seal  |
| 8  | 59135007 | Upper Body Assembly                                      |
| 9  | 59135028 | Bag Check Indicator                                      |
| 10 | 59135005 | Motor  |
| 11 | 59135004 | Fan Case Seal  |
| 12 | 59135006 | Rear Motor Mount   |
| 13 | 59135055 | Motor Housing  |
| 14 | 59135024 | Seal - Motor Housing                                     |
| 15 | 59135037 | Spring - Pedal   |
| 16 | 59135034 | Tool Cover - S3332 - Metallic Red                        |
|    | 59135035 | Tool Cover - S3330 - Mustard Gold                        |
| 17 | 59135036 | Spring - Switch  |
| 18 | 59135056 | Speed Control Knob                                       |
| 19 | 59135050 | On/Off Pedal - S3332 - Metallic Red                      |
|    | 59135051 | On/Off Pedal - S3330 - Mustard Gold                      |
| 20 | 59135032 | Filter Cover - S3332 - Metallic Red                      |
|    | 59135033 | Filter Cover - S3330 - Mustard Gold                      |
| 21 | 59135052 | Cord Reel Pedal - S3332 - Metallic Red                   |
|    | 59135053 | Cord Reel Pedal - S3330 - Mustard Gold                   |
| 22 | 59135046 | Noise Reducer  |
| 23 | 59135060 | Cord Reel Assembly                                       |
| 24 | 59135038 | Plug Pocket  |
| 25 | 59135030 | Potentiometer/Speed Control Module Assembly              |
| 26 | 59135031 | Push Switch  |
| 27 | 59135029 | Bag Check Indicator Tube (white)                         |
|    | 59135012 | Caster Wheel Support                                     |
| 31 | 59135011 | Axle/Tire  |
| 32 | 59135010 | Rear Wheel   |
| 33 | 59135019 | Extension Tubelaf  |
| 34 | 59135020 | Extension Tube Tubel mblv                                |
| 35 | 59135018 | Hose Assembly Complete                                   |
| 36 | 59135021 | Crevice Tool   |
| 37 | 59136026 | Floor Nozzle Assembly                                    |
|    | 59136049 | Brush Only (2 Required)                                  |
|    |          | Items Not Illustrated                                    |
|    | 59135016 | Screw Self Tapping - Black (10)                          |
|    | 59135022 | Furniture Nozzle   |
|    | 59135023 | Dusting Brush  |
|    | 59135049 | Vent Tube - Black  |
|    | 59135061 | Blue Lead - cord reel to motor                           |
|    | 59135063 | Owner Manual   |
|    | 59135064 | Carton   |
|    | 59135085 | Red Lead with in-line fuse (20amp) - Cord reel to switch |
|    | 59135086 | Motor Housing Foam                                       |