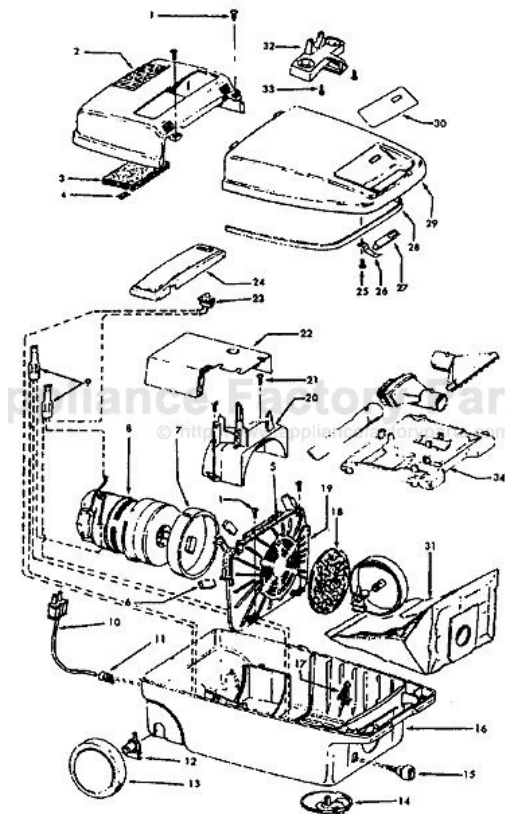


This Owner's Manual is provided and hosted by [Appliance Factory Parts](#).



# HOOVER S3439-070 Owner's Manual

[Shop genuine replacement parts for HOOVER  
S3439-070](#)



[Find Your HOOVER Vacuum Cleaner Parts - Select From 1456 Models](#)

----- Manual continues below part list -----

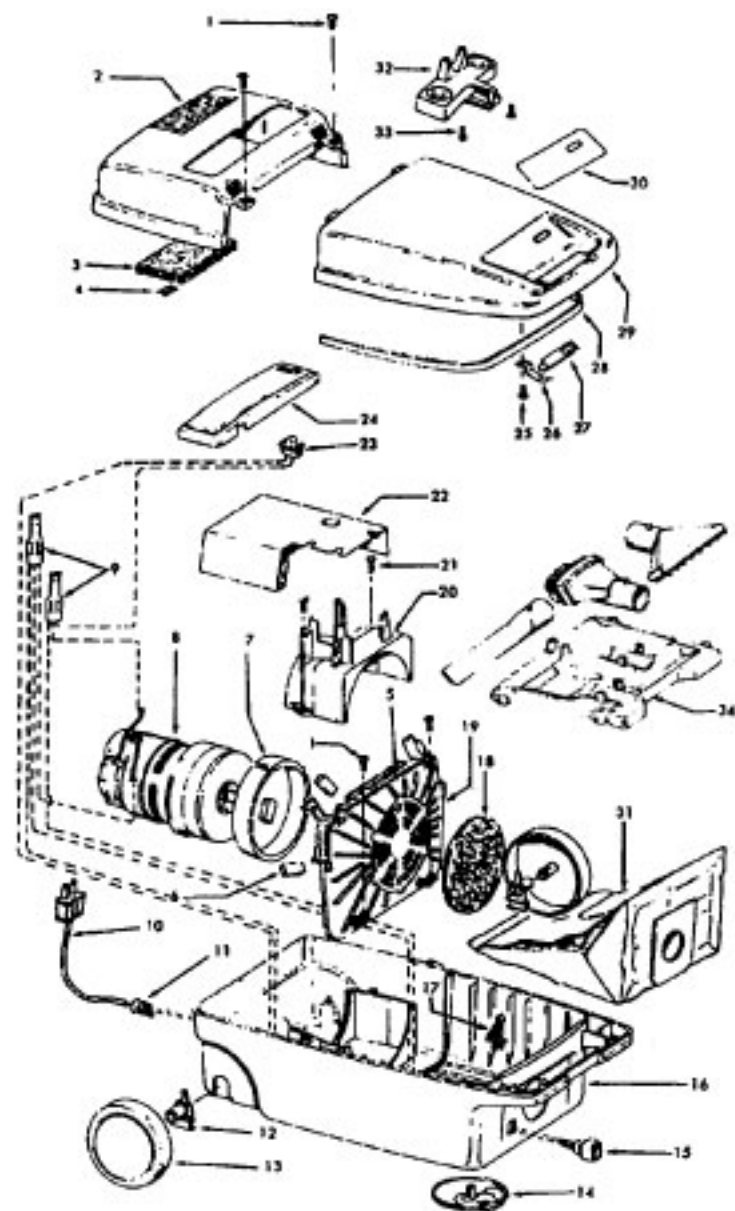
## Available Replacement Parts for HOOVER S3439-070

|                            |                           |
|----------------------------|---------------------------|
| <a href="#">H-4010028K</a> | BAG OEM HOOVER (3 PACK) K |
| <a href="#">HR-1810</a>    | FILTER HOOVER MESH FILTER |
| <a href="#">48414036</a>   | HOOVER ELITE BRUSH ROLLER |
| <a href="#">H-43267002</a> | AGITATOR BEARING ASM      |
| <a href="#">H-43414073</a> | Floor brush.              |
| <a href="#">H-43414064</a> | DUSTING BRUSH (ONE PEICE) |
| <a href="#">HR-5000</a>    | EXTENSION TUBE            |
| <a href="#">HR-1050</a>    | BELT FOR HOOVER           |

# Spirit

## S3439 External Tool Rack

## S3439-070 Internal Tool Storage



# Models S3399, S3439, S3439-070

| Ref. No. | Part No. | Description                         |
|----------|----------|-------------------------------------|
| 1        | 21447041 | Screw                               |
| 2        | 37195063 | Motor Cover - MR - S3439, S3439-070 |
|          | 37195047 | Motor Cover - JM - S3399            |
| 3        | 34163003 | Diffuser                            |
| 4        | 21366004 | Speed Nut                           |
| 5        | 34133007 | Seal                                |
| 6        | 34132006 | Pad                                 |
| 7        | 34143002 | Seal                                |
| 8        | 43577011 | Motor - 2.2 - (P-174)               |
| 9        | 18972    | Insulated Terminal                  |
| 10       | 46363305 | Attach. Cord - AG - 20'             |
| 11       | 27482301 | Strain Relief                       |
| 12       | 38511015 | Wheel Bearing - AG                  |
| 13       | 38522061 | Wheel - S3439, S3439-070            |
|          | 38522058 | Wheel - AAP - S3399                 |
| 14       | 41432040 | Wheel Carrier                       |
| 15       | 46326079 | Receptacle Assem. - AG              |
| 16       | 37223197 | Main Body - NAA - S3439, S3439-070  |
|          | 37223207 | Main Body - JM - S3399              |
| 17       | 36151015 | Latch                               |
| 18       | 31114009 | Filter                              |
| 19       | 36426012 | Bulkhead                            |
| 20       | 36321011 | Motor Retainer                      |
| 21       | 21447072 | Screw                               |
| 22       | 34287021 | Foam Muffler                        |
| 23       | 28164276 | Switch - S3439, S3439-070           |
|          | 28161063 | Switch - S3399                      |
| 24       | 37214052 | Control Panel                       |
|          | 37214135 | Control Panel                       |
| 25       | 21447027 | Screw                               |
| 26       | 36172046 | Spring Clip                         |
| 27       | 51151010 | Bag Indicator                       |
| 28       | 38781010 | Lid Seal                            |
| 29       | 42212071 | Bag Housing Lid - AAS - S3439       |
|          | 42212104 | Bag Housing Lid - AAS - S3439-070   |
|          | 42212122 | Bag Housing Lid - JM - S3399        |
| 30       | 51375109 | Nameplate                           |
|          | 51669054 | Nameplate - S3399                   |
|          | 51879008 | Check Bag Label - S3399             |
| 31       | 4010028K | Paper Bag - 3 Pk.                   |
| 32       | 36433061 | Tool Rack - AAS - S3439             |
|          | 36433086 | Tool Rack - JM - S3399              |
| 33       | 21447003 | Screw - S3439                       |
| 34       | 36433071 | Tool Storage Tray - S3439-070       |
|          | 56513249 | Owner Manual                        |
|          | 56513282 | Owner Manual - S3439-070            |
|          | 56513319 | Owner Manual - S3399                |
|          | 58173339 | Carton                              |
|          | 58173376 | Carton - S3439-070                  |
|          | 59814040 | Carton - S3399                      |
|          | 58366069 | Mid Pad                             |
|          | 58461023 | Top Support                         |

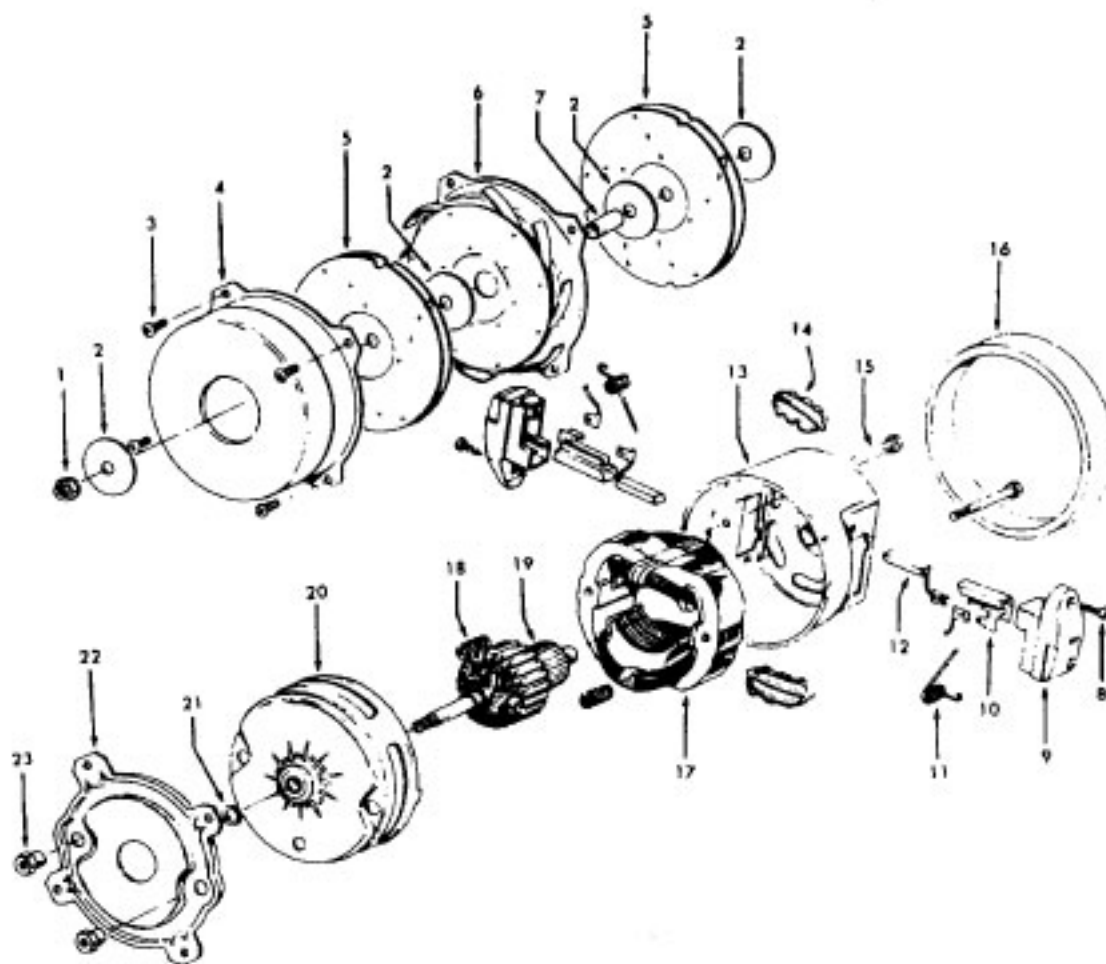
### CLEANING TOOLS - S3439-070 - (P-92)

|          |                             |
|----------|-----------------------------|
| 43414057 | Furniture Nozzle - AG       |
| 38617017 | Crevice Tool - AG           |
| 43414064 | Dusting Brush - AG          |
| 43414073 | Floor Brush - AG            |
| 43433100 | Hose - 2W - ABX             |
| 43453052 | Extension Tube - 20 - AX    |
| 48438190 | Power Nozzle - LZ - (P-173) |

### CLEANING TOOLS - S3399, S3439 - (P-92)

|          |                                   |
|----------|-----------------------------------|
| 43414057 | Furniture Nozzle - AG             |
| 38617017 | Crevice Tool - AG                 |
| 43414064 | Dusting Brush - AG                |
| 43414073 | Floor Brush - AG                  |
| 43433111 | Hose - 2W - AG                    |
| 43433084 | Hose - 2W MV - S/C - S3399        |
| 43453052 | Extension Tube - 20 - AX          |
| 48438190 | Power Nozzle - LZ - S3439 (P-173) |
| 48438251 | Power Nozzle - AAP - S3399 P-252  |

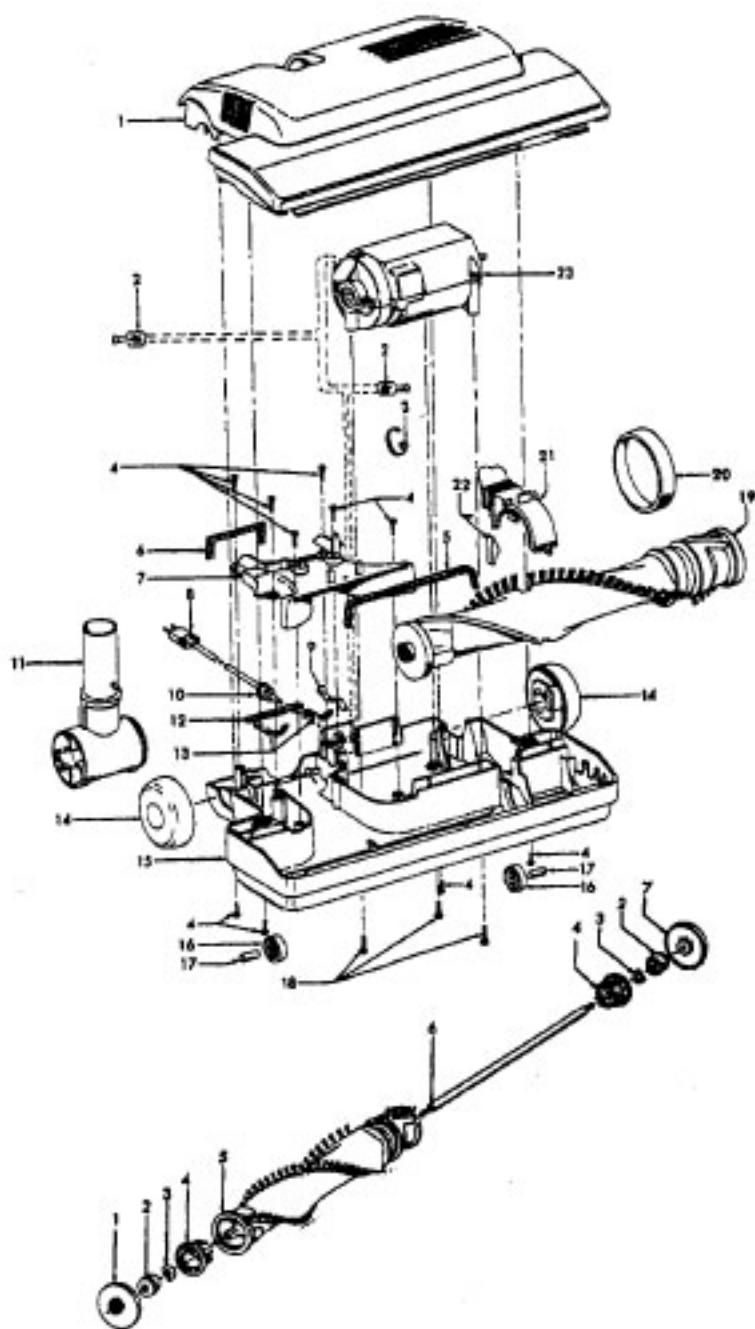
**Motor - 43577112 +  
43577008 +**



| Ref. No. | Part No. | Description   |
|----------|----------|---|
| 1        | 33426001 | Nut   |
| 2        | 21312701 | Washer  |
| 3        | 21434224 | Screw   |
| 4        | 37191016 | Outerstage Housing  |
| 5        | 43566017 | Fan   |
| 6        | 43551005 | Interstage  |
| 7        | 31742010 | Spacer  |
| 8        | 21429406 | Screw   |
| 9        | 167696AG | Brush Carrier   |
| 10       | N/A      | Brush Holder - Use Brush Carrier Assem. 47318008 (Incl. It. 9 - 12) |
| 11       | 38353004 | Spring  |
| 12       | 167681   | Carbon Brush  |
| 13       | 42937003 | Motor Housing - Upper   |
| 14       | 169702BZ | Bushing   |
| 15       | 33421004 | Bolt  |
| 16       | 31195002 | Air Baffle  |
| 17       | 45311051 | Field Coil - 1" Stack Height  |
|          | 45312037 | Field Coil - 3/4" Stack Height                                      |
| 18       | 167721FW | Compression Spring  |
| 19       | 44765171 | Armature - 1" Stack Height  |
|          | 44765217 | Armature - 3/4" Stack Height  |
| 20       | 37191085 | Motor Housing - Lower   |
| 21       | 31148002 | Spacer  |
| 22       | 36322002 | Mounting Plate  |
| 23       | 167695EF | Nut   |

48438235 - S3525, S3535  
 48438251 - S3399  
 48438254 - S3395  
 48438235 - S3420, S3520

48438076 - S3391  
 48438257 - S3559, S3395-040  
 48438261 - S3561



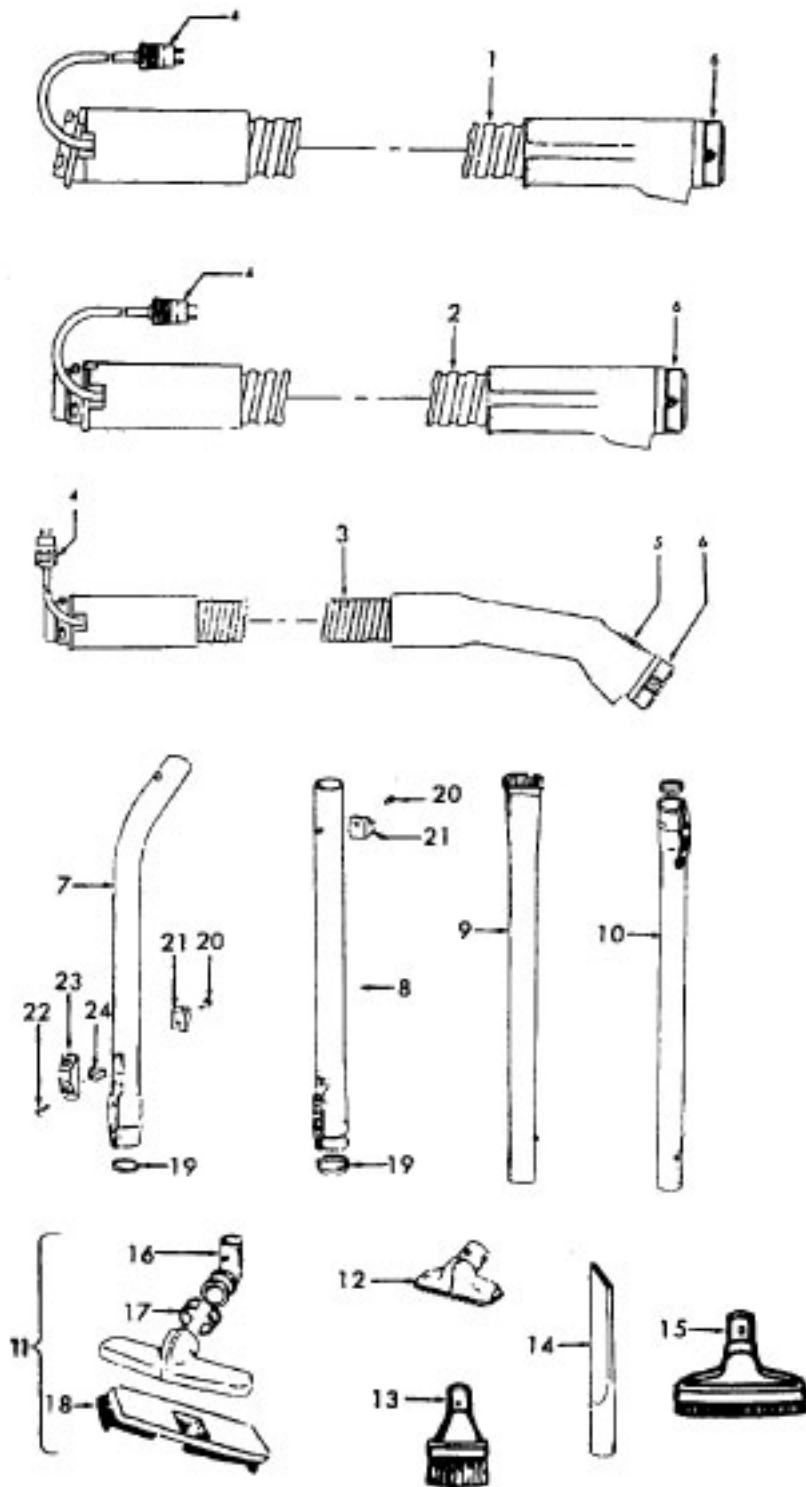
| Ref. No. | Part No. | Description   |
|----------|----------|---|
| 1        | 37241004 | Nozzle Body - ABY - S3561   |
|          | 37241138 | Nozzle Body - AAP - S3525, S3535                                      |
|          | 37241137 | Nozzle Body - AAP - S3399   |
|          | 37241139 | Nozzle Body - AAP - S3395   |
|          | 37241140 | Nozzle Body - ABE - S3395-040, S3559                                  |
|          | 37241144 | Nozzle Body - ABM - S3391   |
|          | 42252A55 | Nozzle Body - AG - S3420, S3520                                       |
| 2        | 12227    | Insulated Terminal  |
|          | 27618508 | Wire Connector  |
| 3        | 27479307 | Lead Wire Tie   |
| 4        | 21447003 | Screw-Self Tapping (10)   |
| 5        | 34123039 | Duct Cover Seal   |
| 6        | 34253018 | Rear Seal   |
| 7        | 42256103 | Duct Cover Assem.   |
|          |          | (Incl. Items 5,6)   |
| 8        | 46321088 | Cord -AG  |
| 9        | 35276008 | Detent Spring   |
| 10       | 163768   | Strain Relief   |
| 11       | 43482106 | Nozzle Connector - AG   |
| 12       | 34112007 | Seal  |
| 13       | 34122014 | Seal (2)  |
| 14       | 43244043 | Wheel Assem.  |
| 15       | 42246115 | Base Plate Assem. (Incl. Items 16,17)                                 |
|          |          | Base Plate Assem. - ABR - S3395-040, S3391 S3559 (Incl. Items 16, 17) |
|          | 42246115 | Base Plate Assem. - AG - S3420, S3520 (Incl. items 16, 17)            |
| 16       | 32761001 | Wheel   |
| 17       | 31522004 | Wheel Shaft   |
| 18       | 21479801 | Screw (3)   |
| 19       | 48414079 | Agitator Assem.   |
| 20       | 38528011 | Belt  |
| 21       | 36923008 | Belt Guard Assem.   |
| 22       | 13261AY  | Rib Shoe  |
| 23       | 43177062 | Motor Assem. Comp.  |

**Agitator 48414079**

| Ref. No. | Part No. | Description                 |
|----------|----------|-----------------------------|
| 1        | 36423016 | Thread Guard - RH           |
| 2        | 43267002 | Agitator Bearing Assem. (2) |
| 3        | 21347003 | Conical Washer (2)          |
| 4        | 36422022 | Agitator End (2)            |
| 5        | 48414051 | Agitator Body               |
| 6        | 32724013 | Agitator Shaft              |
| 7        | 36423017 | Thread Guard - LH           |

# Cleaning Tools

# Spirit & Celebrity



| Ref. No. | Part No. | Description                          |
|----------|----------|--------------------------------------|
| 1        | 43433085 | Hose - AAP - Celebrity               |
| 2        | 43433032 | Hose - JM - Spirit - 5-1/2'          |
| 3        | 43433067 | Hose - AAP - Spirit - 5-1/2'         |
|          | 43433081 | Hose - MV -S/C- Spirit - 5-1/2'      |
|          | 43433084 | Hose - AAP - S/C - Spirit - 7'       |
|          | 43433111 | Hose - 2W - AG -S/C - Spirit         |
| 4        | 46321076 | Cord Repair Kit                      |
| 5        | 34777005 | Suction Reg. Control - AG            |
|          | 34777007 | Suction Reg. Control - MV            |
| 6        | 36153009 | Latch Ring - AG                      |
| 7        | 43468055 | Hose Tube - BL - 14                  |
| 8        | 43453086 | Extension Tube - BL - 22             |
|          | 43453035 | Extension Tube - AX - 22             |
|          | 43453052 | Extension Tube - 20 - AX (Gray Clip) |
|          | 43453058 | Extension Tube - BL - 20 (Gray Clip) |
| 9        | 3863801P | Extension Tube -Poly - AG            |
| 10       | 43453027 | Extension Tube                       |
| 11       | 43414073 | Floor Brush - AG                     |
| 12       | 38614023 | Furniture Nozzle - 1 Pc. - 17        |
|          | 43414057 | Furniture Nozzle - AG                |
|          | 38614024 | Furniture Nozzle - AG                |
| 13       | 43414064 | Dusting Brush - AG                   |
| 14       | 38617017 | Crevice Tool - AG                    |
| 15       | 43414015 | Furniture Brush - JM                 |
|          | 43414016 | Furniture Brush - AG                 |
| 16       | 38644040 | Swivel Connector - JM                |
|          | 38644020 | Swivel Connector - AG                |
| 17       | 33712007 | Split Ring                           |
| 18       | 48447001 | Brush Back                           |
| 19       | 12845JM  | Gasket                               |
| 20       | 12783    | Rivet                                |
| 21       | 36171008 | Cord Clip - MV                       |
|          | 36171005 | Cord Clip - AG                       |
| 22       | 13275    | Screw                                |
| 23       | 13142AG  | Suction Control                      |
| 24       | 13257BZ  | Support                              |