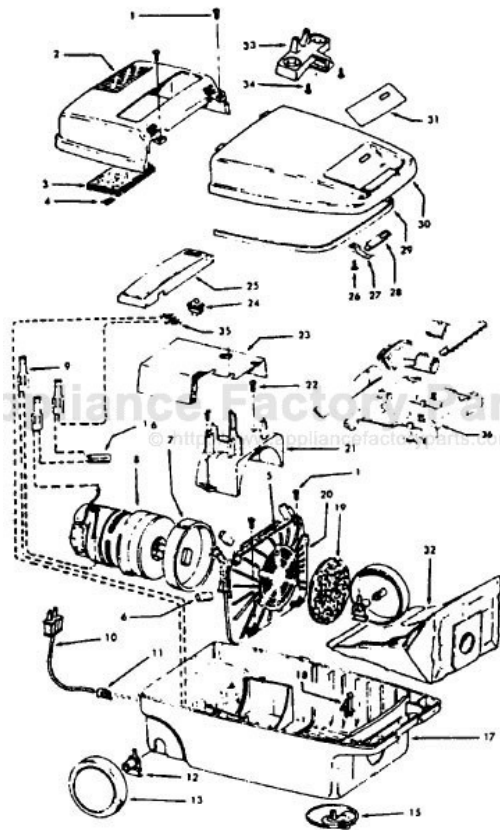


This Owner's Manual is provided and hosted by [Appliance Factory Parts](#).



HOOVER S3431 Owner's Manual

[Shop genuine replacement parts for HOOVER S3431](#)



[Find Your HOOVER Vacuum Cleaner Parts - Select From 1456 Models](#)

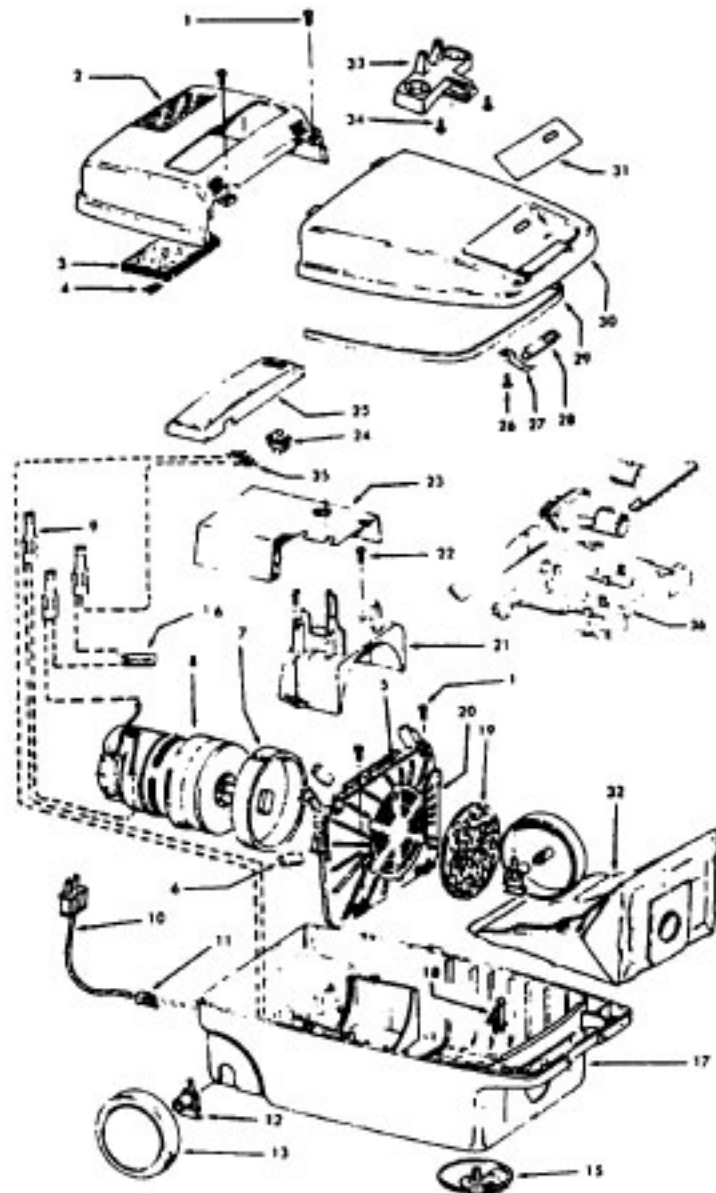
----- Manual continues below part list -----

Available Replacement Parts for HOOVER S3431

| | |
|----------------------------|---------------------------|
| H-4010028K | BAG OEM HOOVER (3 PACK) K |
| H-43414073 | Floor brush. |
| H-43414064 | DUSTING BRUSH (ONE PEICE) |
| HR-5000 | EXTENSION TUBE |

Spirit

S3431, S3485, S3627 External Tool Rack
S3485-070 Internal Tool Storage



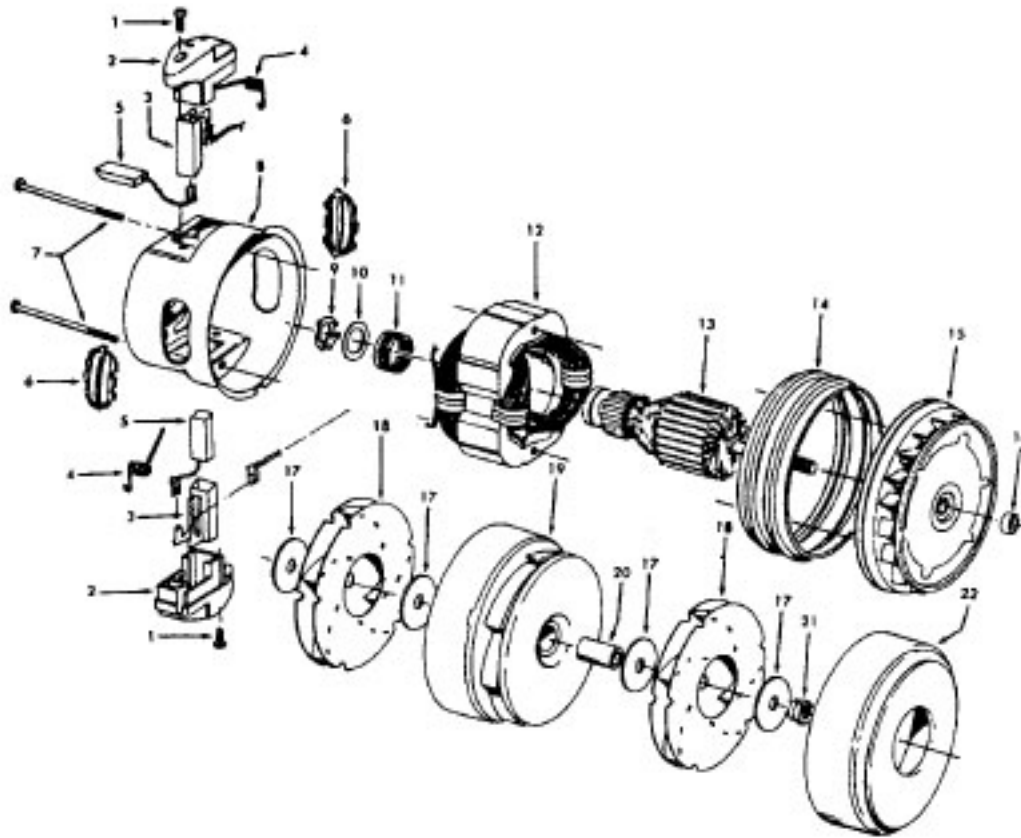
| Ref. No. | Part No. | Description |
|----------|----------|--|
| 1 | 21447041 | Screw |
| | 37195084 | Motor Cover - AAM - S3431 |
| | 37195075 | Motor Cover - AG - S3485, S3485-070 |
| | 37195089 | Motor Cover - WW - S3627 |
| 3 | 34163003 | Diffuser |
| 4 | 21366004 | Speed Nut |
| 5 | 34133007 | Seal |
| 6 | 34132015 | Pad |
| 7 | 34143002 | Seal |
| | 43578051 | Motor - 3.1 - S3431, S3627 - (P-156) |
| | 43578069 | Motor - 4.0 - S3485, S3485-070 (P-156) |
| 9 | 12227 | Insulated Terminal (2W) |
| | 48969 | Wire Nut (2W) |

| Ref. No. | Part No. | Description |
|----------|-----------|--|
| 10 | 46363039 | Attach Cord - AAP - 16 - S3431, S3485 |
| | 46363305 | Attach Cord - AG - 20 - S3485-070, S3627 |
| 11 | 27482301 | Strain Relief |
| 12 | 38511015 | Wheel Bearing - AG |
| 13 | 38522058 | Wheel - AAP - S3431 |
| | 38522061 | Wheel - AG S3485, S3485-070, S3627 |
| 15 | 41432040 | Wheel Carrier |
| 16 | 47534018 | Thermal Protector |
| 17 | 37231069 | Main Body - AAP - S3431, S3627 |
| | 37223213 | (Incl. Item 16) Main Body - AG - S3485, S3485-070 |
| | | (Incl. Item 16) |
| 18 | 36151015 | Latch |
| 19 | 31114010 | Filter |
| 20 | 36426014 | Bulkhead |
| 21 | 36321012 | Motor Retainer |
| 22 | 21447072 | Screw |
| 23 | 34287021 | Foam Muffler |
| 24 | 28164276 | Switch |
| 25 | 37214052 | Control Panel |
| | 37214167 | Control Panel - AG - S3627 |
| 26 | 21447027 | Screw - S3485, S3485-070 |
| 27 | 36172046 | Spring Clip - S3485, S3485-070 |
| 28 | 51151010 | Bag Indicator - S3485, S3485-070 |
| 29 | 38781010 | Lid Seal |
| 30 | 42212075 | Bag Housing Lid - AAM - S3431 |
| | 42212096 | Bag Housing Lid - AG - S3485 |
| | 42212102 | Bag Housing Lid - AG - S3485-070 |
| | 42212118 | Bag Housing Lid - WW - S3627 |
| 31 | 52125112 | Nameplate |
| | 51375064 | Nameplate - S3485, S3485-070 |
| | 52125123 | Nameplate - S3431, S3627 |
| 32 | 4010028 K | Paper Bag - 3 Pk. |
| 33 | 36433059 | Tool Rack - AAM - S3431 |
| | 36433060 | Tool Rack - AG - S3485 |
| 34 | 21447003 | Screw - S3431, S3485 |
| 35 | 160472 | Switch Insulating Pod |
| 36 | 36433071 | Tool Storage Tray - S3485-070, S3627 |
| | 56513252 | Owner Manual - S3431, S3485 |
| | 56513281 | Owner Manual - S3485-070 |
| | 56513310 | Owner Manual - S3627 |
| | 58173375 | Carton - S3431, S3485 |
| | 58173374 | Carton - S3485-070 |
| | 59814027 | Carton - S3627 |
| | 58351015 | Mid Pad |
| | 58353007 | Bottom Support |
| | 58364015 | Front Support - S3431, S3485 |
| | 58364013 | Front Support - S3485-070, S3627 |
| | 58461023 | Top Support - S3431, S3485 |
| | 58461021 | Top Support - S3485-070, S3627 |

CLEANING TOOLS - (P-93)

| | |
|----------|---|
| 38614024 | Furniture Nozzle - AG |
| 38617017 | Crevice Tool - AG |
| 43414064 | Dusting Brush - AG |
| 43414073 | Floor Brush - AG |
| 43414101 | Rug & Floor Nozzle - AAP |
| 0M114169 | Rug & Floor Nozzle - S3627 |
| 43434233 | Hose - AG/ABX - 6 - Molded - S/C - Spirit |
| 43434013 | Hose - S3431 |
| 3863801P | Ext. Tube - Poly - AG |
| 43453027 | Extension Tube |

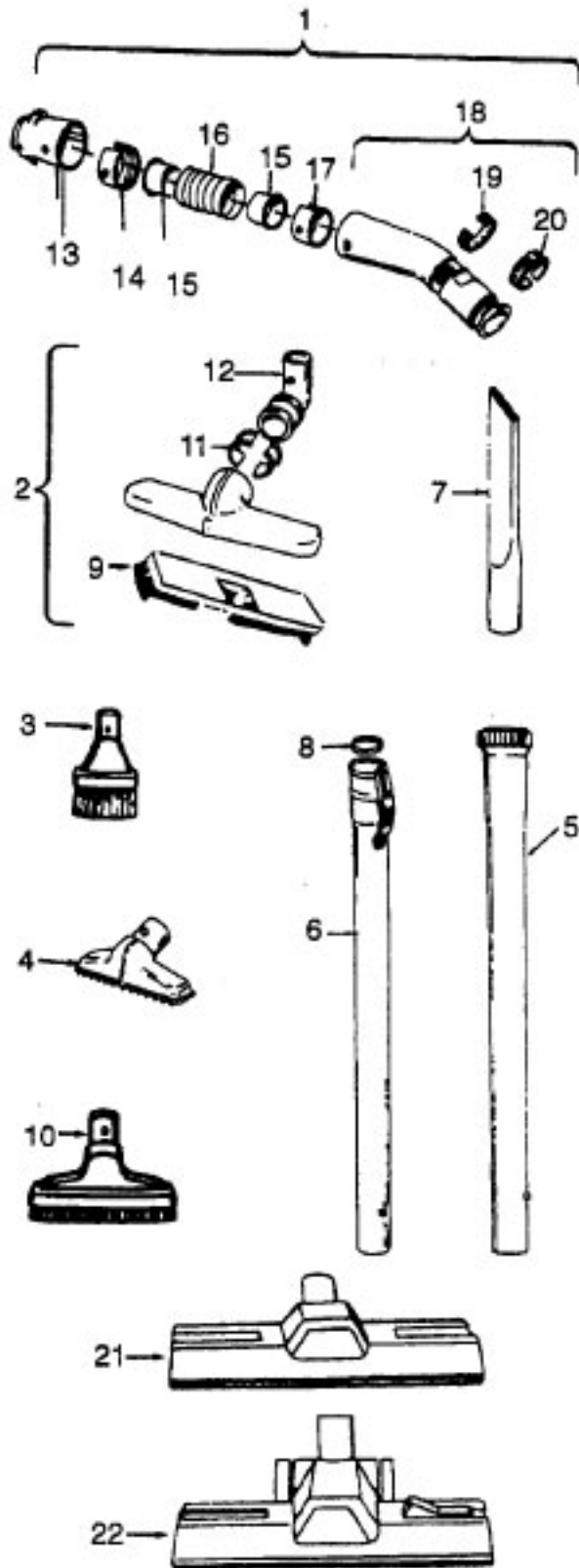
**Motor 43578051 (3.1)
43578069 (4.0)**



| Ref. No. | Part No. | Description |
|----------|----------|---------------------------|
| 1 | 21429406 | Screw |
| 2 | 168038AG | Brush Carrier |
| 3 | 168506-- | Brush Holder |
| 4 | 38353004 | Spring |
| 5 | 167679 | Carbon Brush |
| 6 | 169702BZ | Bushing |
| 7 | 36112003 | Bolt 3.1 |
| | 21563061 | Bolt 4.0 |
| 8 | 42192016 | Motor Housing |
| 9 | 21345116 | Spring Washer |
| 10 | 21312778 | Thrust Washer |
| 11 | 24198002 | Star Ring |
| 12 | 45311048 | Field Coil 3.1 |
| | 45311022 | Field Coil 4.0 |
| 13 | 44765185 | Armature 3.1 |
| | 44765225 | Armature 4.0 |
| 14 | 31195003 | Motor Mount Insulator 3.1 |
| | 31195004 | Motor Mount Insulator 4.0 |
| 15 | 43551013 | Diffuser |
| 16 | 31148009 | Spacer |
| 17 | 21312701 | Washer |
| 18 | 43566017 | Fan |
| 19 | 42192033 | Interstage |
| 20 | 31743003 | Spacer |
| 21 | 33426001 | Nut |
| 22 | 37196087 | Fan Cover |

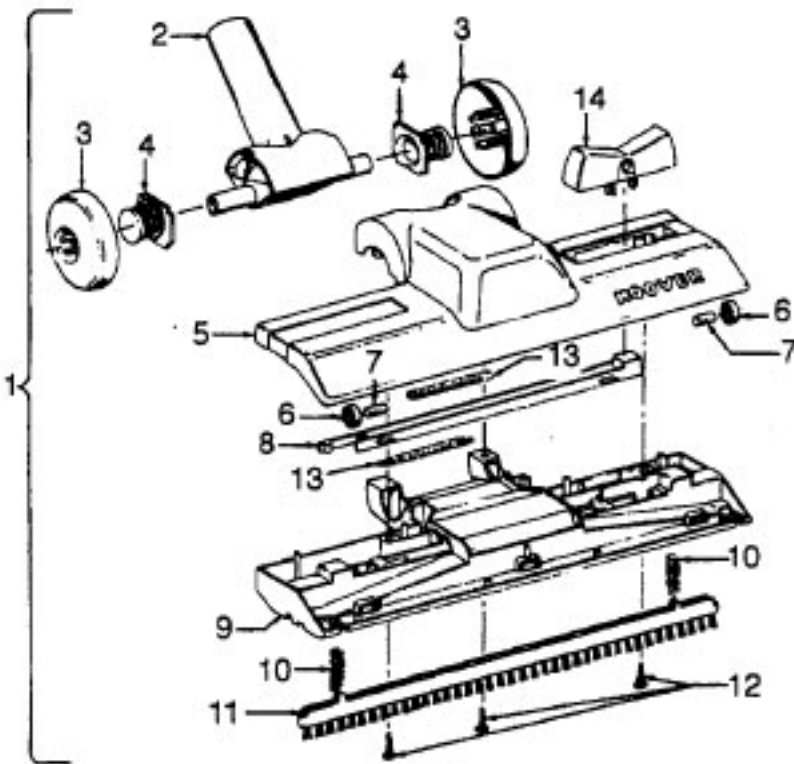
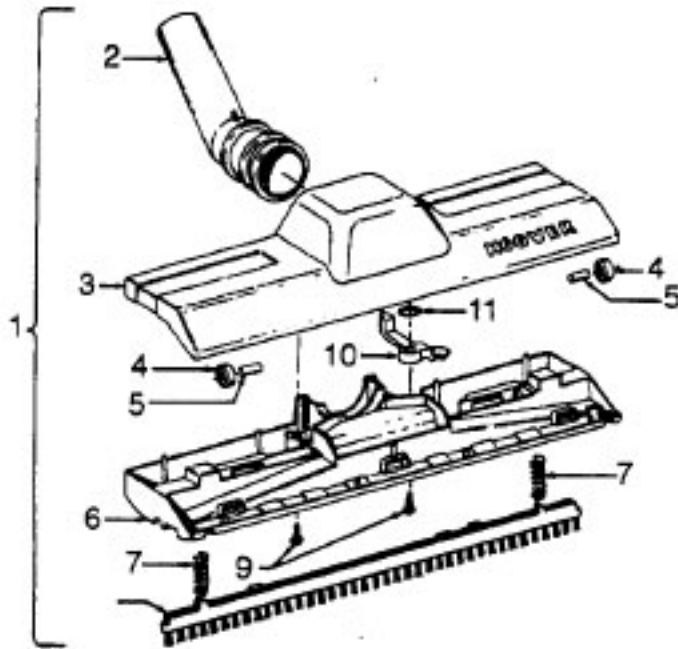
Motor:

| | 43578051 | 43578069 |
|--|-----------|-----------|
| | S3259 | S3269-036 |
| | S3269 | S3269-070 |
| | S3269-060 | S3271-036 |
| | S3271 | S3271-070 |
| | S3271-060 | S3483 |
| | S3295-031 | S3485 |
| | S3299-031 | S3485-070 |
| | S3405 | S3487 |
| | S3419 | S3499 |
| | S3423 | S3501 |
| | S3441-031 | S3503 |
| | S3441-070 | S3505 |
| | S3473 | S3621 |
| | S3475 | S3629 |
| | S3481 | S3631 |
| | S3627 | |



| Ref. No. | Part No. | Description |
|----------|----------|---|
| 1 | 43434191 | Hose - JM - S/C - 6"Wire - Celebrity |
| | 43434155 | Hose - JM - S/C - 6"Wire - Spirit |
| | 43434013 | Hose Assem. - Stretch (not pictured) |
| | 43434065 | Hose - JM - 6"Wire - Spirit |
| | 43434130 | Hose - JM - 7.5" Molded - Spirit |
| | 43434131 | Hose - AAP - 7.5' - Molded - Spirit |
| | 43434125 | Hose - AAP - S/C - 7' - Molded - Spirit |
| | 43434126 | Hose - AAV - S/C - 6' - Molded - Spirit |
| | 43434231 | Hose - AAP - 6' - Molded - Spirit |
| | 43434233 | Hose - AG/ABX 6" Molded - Sprint |
| | 2 | 43414072 |
| | 43414073 | Floor Brush - AG |
| 3 | 43414064 | Dusting Brush - AG |
| 4 | 43414057 | Furniture Nozzle - AAP |
| | 38614020 | Furniture Nozzle - JM - 1 Pc. |
| | 38614024 | Furniture Nozzle - AG - 1 Pc. |
| 5 | 43453037 | Extension Tube - Poly - 20 - JM |
| | 3863801P | Extension Tube - Poly - AG |
| 6 | 43453052 | Extension Tube - 20 - AX |
| 7 | 38617017 | Crevice Tool - AG |
| 8 | 12845JM | Gasket |
| 9 | 48447001 | Brush Back |
| 10 | 43414015 | Furniture Brush - JM |
| | 43414016 | Furniture Brush - AG |
| 11 | 33712007 | Split Ring |
| 12 | 38644020 | Swivel Connector - AG |
| | 38644040 | Swivel Connector - AAP |
| 13 | 32855003 | Hose Connector - Celeb. |
| | 38638017 | Hose Connector - AAP - Molded Hose |
| | 38638019 | Hose Connection - AAP |
| | 38638039 | Hose Connector - AG - Molded Hose |
| 14 | 12615BZ | Collar (All Wire Hoses) |
| | 38671011 | Collar (Molded Hoses) |
| 15 | 32156010 | Sleeve (All Hoses) |
| 16 | 38671029 | Hose - 6' - AAV - Molded |
| | 38671033 | Hose - 6' - ABX - Molded |
| 17 | 36116006 | Collar (All Wire Hoses) |
| | 36171025 | Collar (Molded Hose) |
| 18 | 43466044 | Hose Grip - AAP - S/C |
| | 43466066 | Hose Grip - AG |
| 19 | 38711006 | Suction Control Ring - JM |
| | 38711007 | Suction Control Ring - MV |
| 20 | 36153009 | Latch Ring - AG |
| 21 | 43414139 | Rug & Floor Nozzle - AAP - (P - 188) |
| | 0M114169 | Rug & Floor Nozzle - ABE - (P - 188) |
| 22 | 43414101 | Rug & Floor Nozzle - DLX - (P - 188) |

Rug & Floor Nozzle



| Ref. No. | Part No. | Description |
|----------|----------|--|
| 1 | 43414121 | Standard Rug & Floor Nozzle Assem. - AAP |
| | 43414139 | Standard Rug & Floor Nozzle Assem. - AAP |
| | 43414140 | Standard Rug & Floor Nozzle Assem. - ABE (S3393-020, S3521) |
| | 0M114169 | Standard Rug & Floor Nozzle - ABX - S1221, S1315, S1337, S3393-040 |
| | 43414170 | Standard Rug & Floor Nozzle AG - S1339, S3547 |
| 2 | 43414172 | Standard Rug & Floor Nozzle - AG |
| 3 | 38646039 | Nozzle Tube - AG |
| | 38615153 | Rug & Floor Nozzle - AAP |
| | 38615182 | Rug & Floor Nozzle - ABE S3393-020, S3521, S1339, S3547, S1221, S1315, S1337 |
| 4 | 38521018 | Roller (2) (Nozzle 43414172 req's 4) |
| 5 | 31511004 | Roller Axle - AY (2) (Nozzle 43414172 req's 4) |
| 6 | 36414018 | Brush Housing S1221, S1315, S1337 |
| 7 | 166649FW | Spring (2) |
| 8 | 48443003 | Brush Back Assem. - AG |
| 9 | 21447203 | Screw - Self Tapping (2) |
| 10 | 38454004 | Brush Back Lever - MV |
| | 38454006 | Brush Back Lever - ABN S3393-020, S3521, S1221 S1339, S3547 |
| 11 | 21329105 | Felt Washer |

| Ref. No. | Part No. | Description |
|----------|----------|--|
| 1 | 43414101 | Deluxe Rug & Floor Nozzle Assem. - AAP |
| 2 | 38646045 | Nozzle Connector - AAP |
| 3 | 43244043 | Wheel & Bearing Assem. (2) |
| 4 | 38511016 | Wheel Bearing - AAT (2) |
| 5 | 38615180 | Rug & Floor Nozzle - AAP |
| 6 | 38521018 | Roller (2) |
| 7 | 31511004 | Roller Axle - AY (2) |
| 8 | 38451008 | Slider - AG |
| 9 | 36414013 | Brush Housing - MV |
| 10 | 166649FW | Spring (2) |
| 11 | 48443004 | Brush Back Assem. - AG |
| 12 | 21447203 | Screw - Self Tapping (3) |
| 13 | 34122013 | Seal (2) |
| 14 | 38434015 | Pedal - MV |