

| Ref. No. | Part No. | Description |
|----------|----------|---------------------------------|
| 1 | 21447041 | Screw |
| 2 | 37195074 | Motor Cover - AG |
| 3 | 34163003 | Diffuser |
| 4 | 21366004 | Speed Nut |
| 5 | 52125116 | Nameplate |
| 6 | 51661017 | Nameplate |
| 7 | 12227 | Insulated Terminal (2 Wire) |
| 8 | 18972 | Insulated Terminal (3 Wire) |
| 9 | 27479307 | Wire Tie |
| 10 | 21447072 | Screw |
| 11 | 43578069 | Motor - 4.0 - (P-156) |
| 12 | 34143003 | Seal |
| 13 | 34132015 | Pad |
| 14 | 47534018 | Thermal Protector |
| 15 | 21447072 | Screw |
| 16 | 36222008 | Brake Pad |
| 17 | 38458008 | Brake Arm |
| 18 | 38353009 | Spring |
| 19 | 46383311 | Attachment Cord - AG - 20' |
| 20 | 46831106 | Cord Reel Assm. |
| 21 | 34165004 | Insulator |
| 22 | 37215170 | Cord Reel Support |
| 23 | 47348076 | Brush Block |
| 24 | 38522061 | Wheel - AG |
| 25 | 38511015 | Wheel Bearing |
| 26 | 41432040 | Wheel Carrier |
| 27 | 46326079 | Receptacle Assem. - AG |
| 28 | 37231072 | Main Body - AAP (Incl. Item 14) |
| 29 | 4010028K | Paper Bag - 3 Pk. |
| 30 | 36151015 | Latch |
| 31 | 31114010 | Filter |
| 32 | 36426014 | Bulkhead |
| 33 | 34133007 | Seal |
| 34 | 36321012 | Motor Retainer |
| 35 | 36433071 | Tool Storage Tray |

| Ref. No. | Part No. | Description |
|----------|----------|-------------------------------------|
| 36 | 34287021 | Muffler |
| 37 | 38422124 | Cord Reel Pedal - AG (Push Switch) |
| | 38422122 | Cord Reel Pedal - MV (Slide Switch) |
| 38 | 28212026 | Switch - Push |
| | 28177019 | Switch - (Slide) |
| 39 | 37214152 | Control Panel - MV (Push Switch) |
| | 37214138 | Control Panel - AAP (Slide Switch) |
| 40 | 38314002 | Spring (Push Switch) |
| | 38319002 | Spring (Slide) |
| 41 | 38422073 | Switch Pedal - AG - (Push Switch) |
| | 38422149 | Switch Pedal - AG - (Slide Switch) |
| 42 | 38781010 | Seal |
| 43 | 42212100 | Bag Housing Lid - AG |
| 44 | 38561003 | Axle |
| 45 | 37258082 | Terminal Shield |
| 46 | 34361001 | Switch Actuator |
| 47 | 42262075 | Actuator Housing |
| 48 | 38458002 | Depressor |

ITEMS NOT ILLUSTRATED

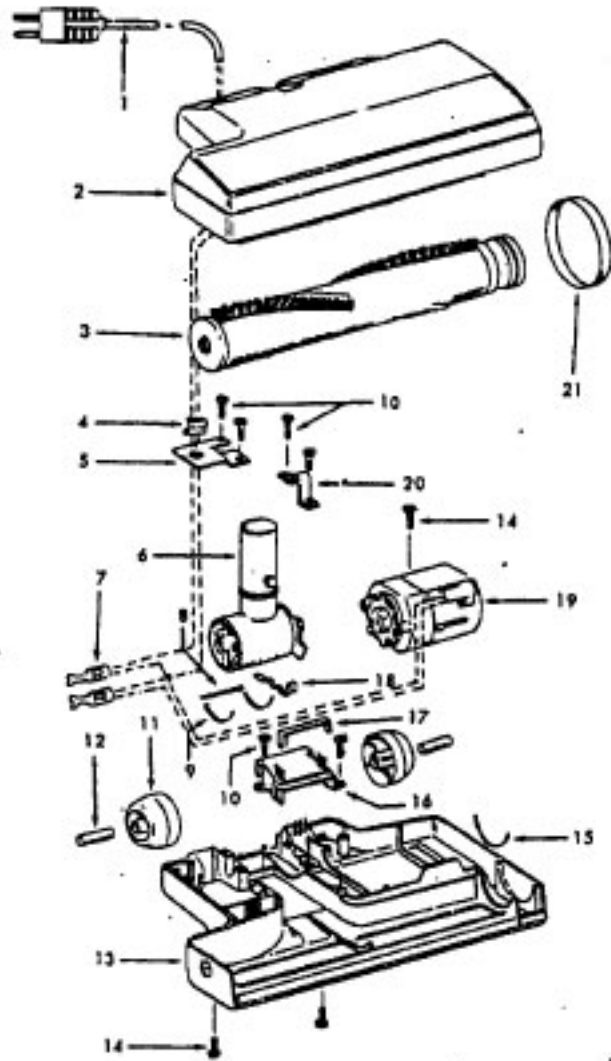
| | |
|----------|----------------------|
| 46831076 | Cord Reel Commutator |
| 56153280 | Owner Manual |
| 58173376 | Carton |
| 58366069 | Mid Pad |
| 58461023 | Top Support |

CLEANING TOOLS - (-92)

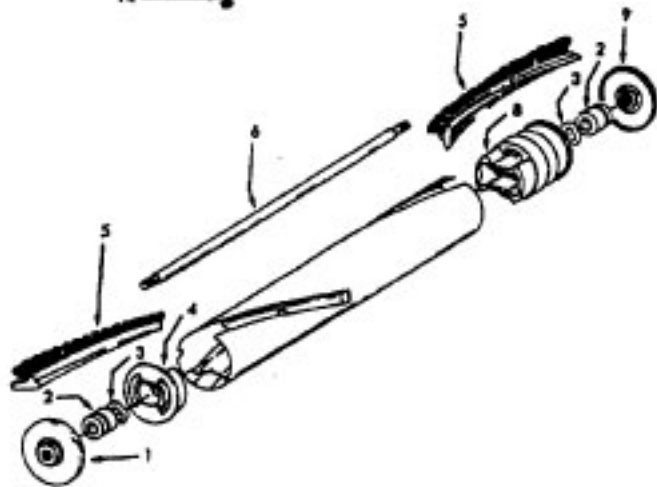
| | |
|----------|------------------------------|
| 38617017 | Crevice tool - AG |
| 43414057 | Furniture Nozzle - AG |
| 43414064 | Dusting Brush - AG |
| 43433084 | Hose - 2W - S/C - AAP |
| 43453052 | Extension Tube - 20 - AX |
| 48438190 | Power Nozzle - LZ - (P-1 73) |

Power Nozzle - 48438190 - LZ

Models S3433, S3435, S3439, S3439-070, S3441, S3441-031, S3441-070, S3443, S3483, S3503, S3505



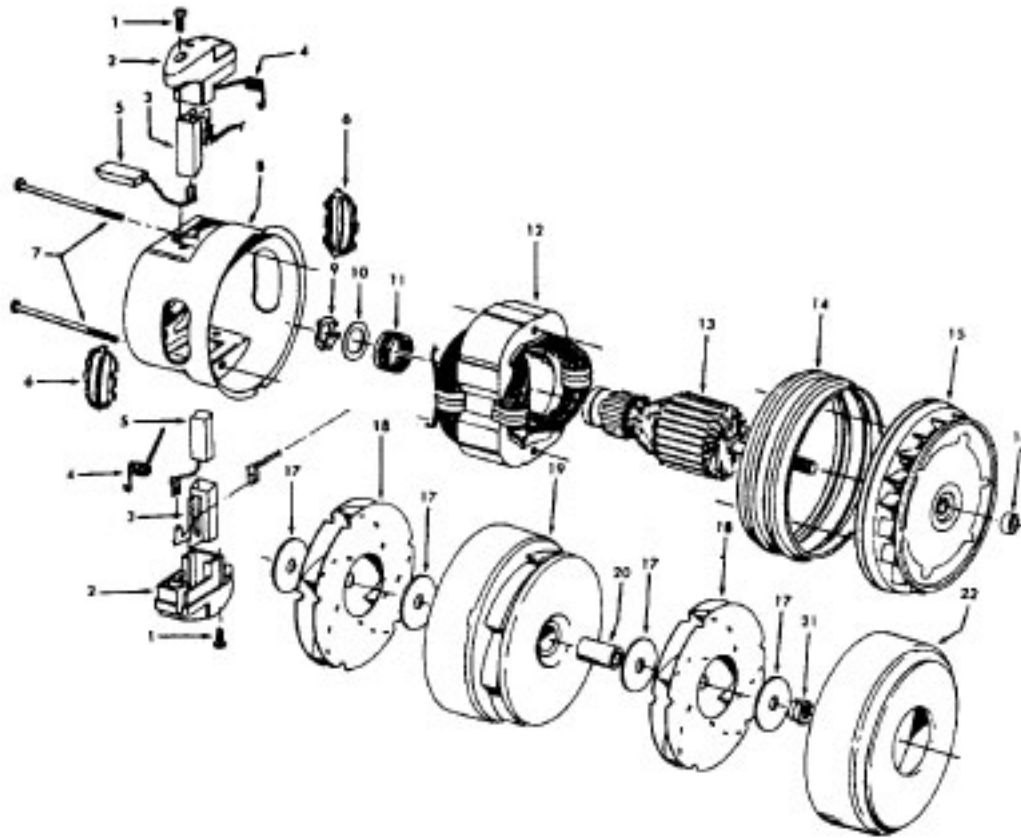
| Ref. No. | Part No. | Description |
|----------|----------|----------------------------------|
| 1 | 46321088 | Cord - AG - Standard Plug |
| 2 | 42252174 | Nozzle Body |
| 3 | 48416009 | Agitator - 4B |
| 4 | 163768 | Strain Relief |
| 5 | 34663003 | Bracket - RH |
| 6 | 43482024 | Nozzle Connector - LZ |
| 7 | 12227 | Insulated Terminal (2 Wire) |
| | 48969 | Wire Nut (2 Wire) |
| 8 | 34112005 | Seal |
| 9 | 34337003 | Seal |
| 10 | 21447041 | Screw |
| 11 | 32175025 | Wheel - AG |
| 12 | 31523005 | Wheel Shaft |
| 13 | 42246120 | Bottom Plate (Incl. Items 11,12) |
| 14 | 21447007 | Screw |
| 15 | 34337004 | Lower Seal |
| 16 | 42256090 | Duct Cover |
| 17 | 34123015 | Seal |
| 18 | 35276001 | Detent Spring |
| 19 | 43177073 | Motor |
| 20 | 35271001 | Bracket - LH |
| 21 | 38528011 | Belt |



Agitator - 4B 48416009

| | | |
|---|----------|----------------|
| 1 | 41435018 | Thread Guard |
| 2 | 43267002 | Bearing |
| 3 | 21347003 | Washer |
| 4 | 36422001 | End |
| 5 | 48445017 | Agitator Brush |
| 6 | 160070 | Shaft |
| 8 | 38537002 | End Pulley |
| 9 | 41435021 | Thread Guard |

**Motor 43578051 (3.1)
43578069 (4.0)**



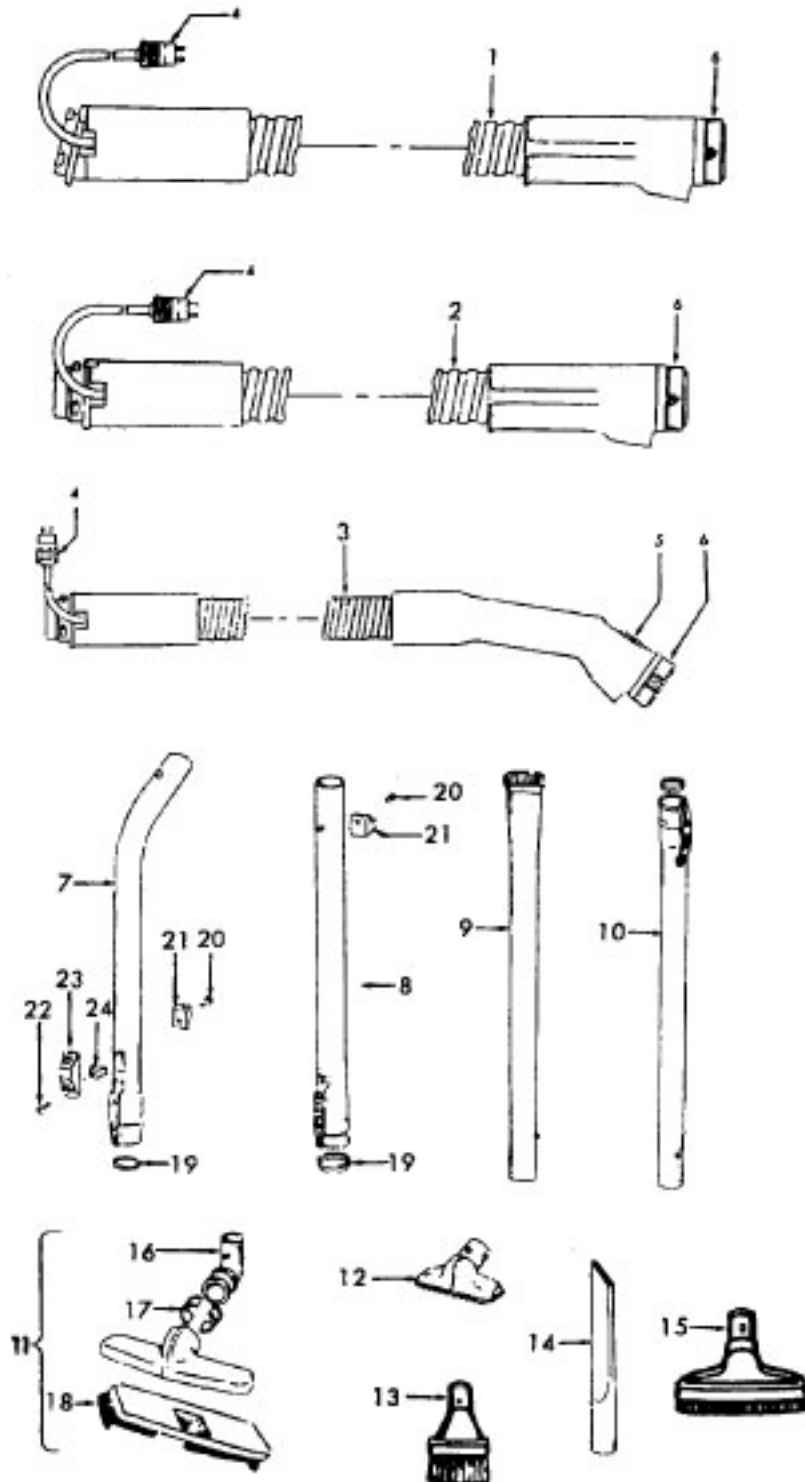
| Ref. No. | Part No. | Description |
|----------|----------|---------------------------|
| 1 | 21429406 | Screw |
| 2 | 168038AG | Brush Carrier |
| 3 | 168506-- | Brush Holder |
| 4 | 38353004 | Spring |
| 5 | 167679 | Carbon Brush |
| 6 | 169702BZ | Bushing |
| 7 | 36112003 | Bolt 3.1 |
| | 21563061 | Bolt 4.0 |
| 8 | 42192016 | Motor Housing |
| 9 | 21345116 | Spring Washer |
| 10 | 21312778 | Thrust Washer |
| 11 | 24198002 | Star Ring |
| 12 | 45311048 | Field Coil 3.1 |
| | 45311022 | Field Coil 4.0 |
| 13 | 44765185 | Armature 3.1 |
| | 44765225 | Armature 4.0 |
| 14 | 31195003 | Motor Mount Insulator 3.1 |
| | 31195004 | Motor Mount Insulator 4.0 |
| 15 | 43551013 | Diffuser |
| 16 | 31148009 | Spacer |
| 17 | 21312701 | Washer |
| 18 | 43566017 | Fan |
| 19 | 42192033 | Interstage |
| 20 | 31743003 | Spacer |
| 21 | 33426001 | Nut |
| 22 | 37196087 | Fan Cover |

Motor:

| | 43578051 | 43578069 |
|--|-----------|-----------|
| | S3259 | S3269-036 |
| | S3269 | S3269-070 |
| | S3269-060 | S3271-036 |
| | S3271 | S3271-070 |
| | S3271-060 | S3483 |
| | S3295-031 | S3485 |
| | S3299-031 | S3485-070 |
| | S3405 | S3487 |
| | S3419 | S3499 |
| | S3423 | S3501 |
| | S3441-031 | S3503 |
| | S3441-070 | S3505 |
| | S3473 | S3621 |
| | S3475 | S3629 |
| | S3481 | S3631 |
| | S3627 | |

Cleaning Tools

Spirit & Celebrity



| Ref. No. | Part No. | Description |
|----------|----------|--------------------------------------|
| 1 | 43433085 | Hose - AAP - Celebrity |
| 2 | 43433032 | Hose - JM - Spirit - 5-1/2' |
| 3 | 43433067 | Hose - AAP - Spirit - 5-1/2' |
| | 43433081 | Hose - MV -S/C- Spirit - 5-1/2' |
| | 43433084 | Hose - AAP - S/C - Spirit - 7' |
| | 43433111 | Hose - 2W - AG -S/C - Spirit |
| 4 | 46321076 | Cord Repair Kit |
| 5 | 34777005 | Suction Reg. Control - AG |
| | 34777007 | Suction Reg. Control - MV |
| 6 | 36153009 | Latch Ring - AG |
| 7 | 43468055 | Hose Tube - BL - 14 |
| 8 | 43453086 | Extension Tube - BL - 22 |
| | 43453035 | Extension Tube - AX - 22 |
| | 43453052 | Extension Tube - 20 - AX (Gray Clip) |
| | 43453058 | Extension Tube - BL - 20 (Gray Clip) |
| 9 | 3863801P | Extension Tube -Poly - AG |
| 10 | 43453027 | Extension Tube |
| 11 | 43414073 | Floor Brush - AG |
| 12 | 38614023 | Furniture Nozzle - 1 Pc. - 17 |
| | 43414057 | Furniture Nozzle - AG |
| | 38614024 | Furniture Nozzle - AG |
| 13 | 43414064 | Dusting Brush - AG |
| 14 | 38617017 | Crevice Tool - AG |
| 15 | 43414015 | Furniture Brush - JM |
| | 43414016 | Furniture Brush - AG |
| 16 | 38644040 | Swivel Connector - JM |
| | 38644020 | Swivel Connector - AG |
| 17 | 33712007 | Split Ring |
| 18 | 48447001 | Brush Back |
| 19 | 12845JM | Gasket |
| 20 | 12783 | Rivet |
| 21 | 36171008 | Cord Clip - MV |
| | 36171005 | Cord Clip - AG |
| 22 | 13275 | Screw |
| 23 | 13142AG | Suction Control Support |
| 24 | 13257BZ | Support |