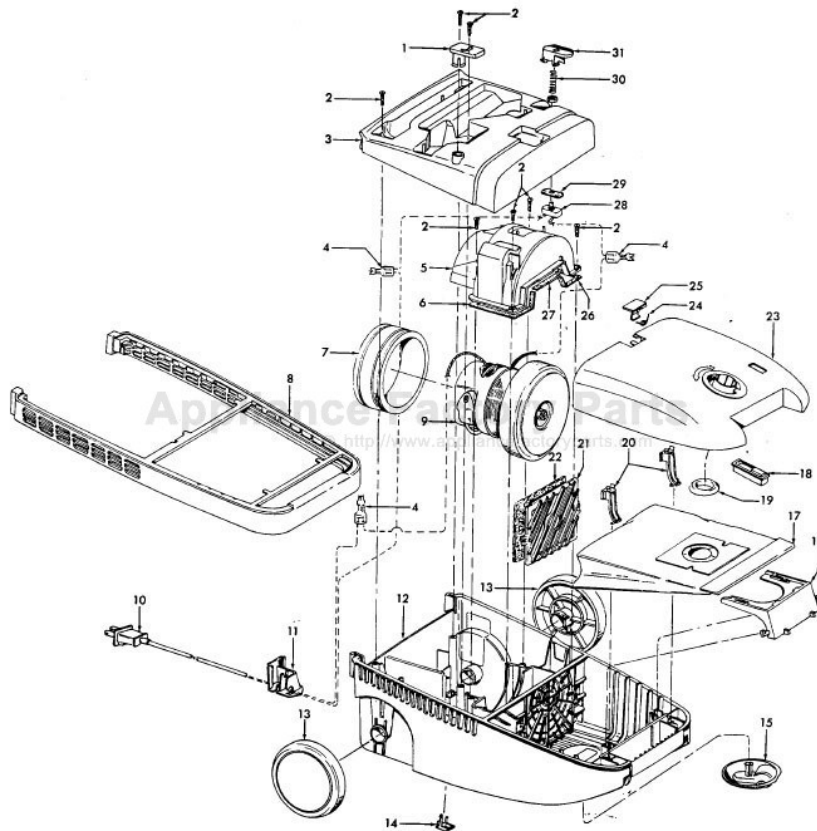


This Owner's Manual is provided and hosted by [Appliance Factory Parts](http://ApplianceFactoryParts.com).



HOOVER S3513 Owner's Manual

[Shop genuine replacement parts for HOOVER S3513](#)

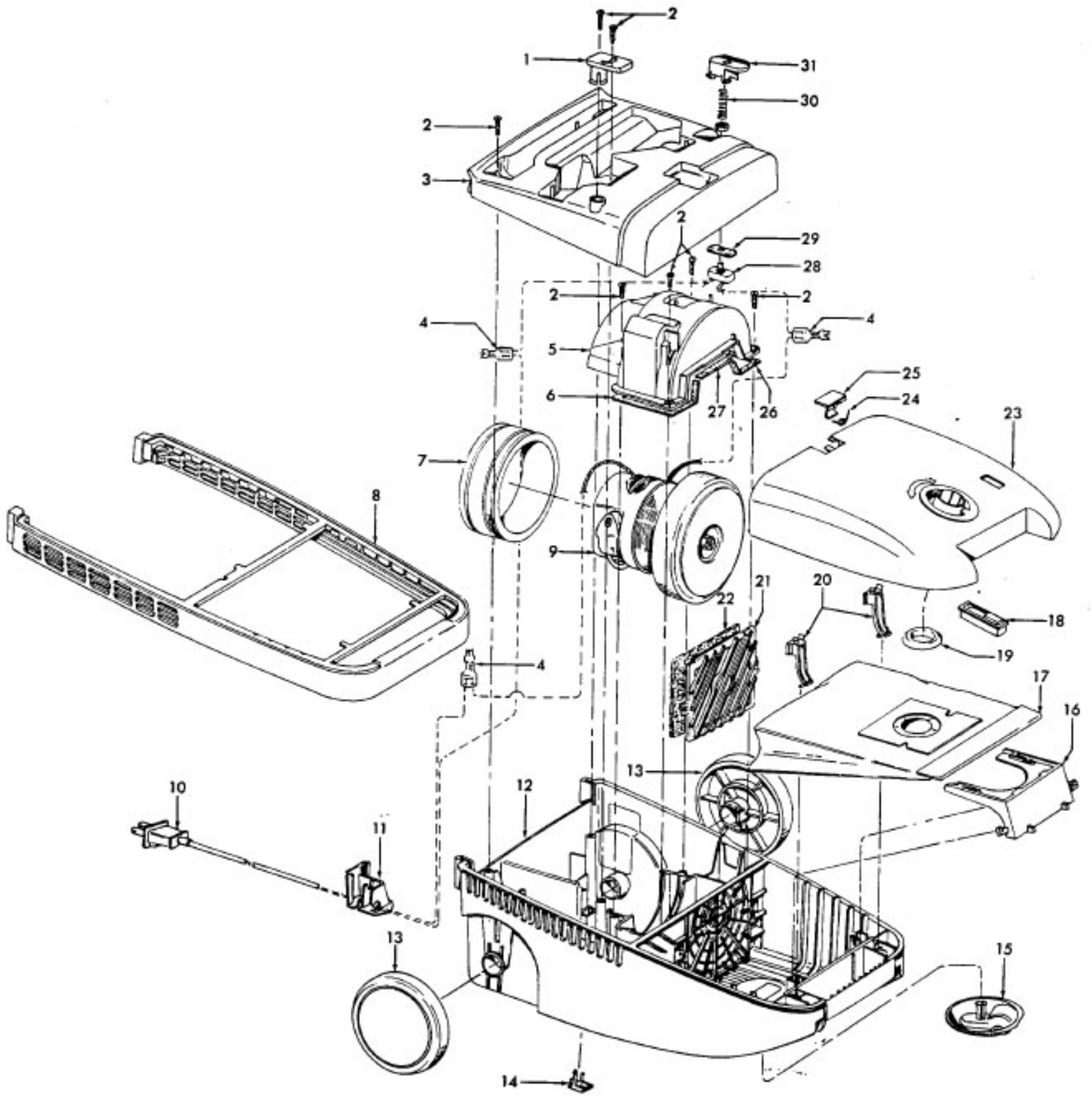


[Find Your HOOVER Vacuum Cleaner Parts - Select From 1456 Models](#)

----- Manual continues below part list -----

Available Replacement Parts for HOOVER S3513

H-4010064S	BAG OEM HOOVER (3 PACK)
H-43414064	DUSTING BRUSH (ONE PEICE)
H-38765009	SECONDARY FILTER



Futura

Models S3513, S3515, S3517, S3533

Ref. No.	Part No.	Description
1	39442034	Cord Wrap - AG
2	21447217	Screw (7)
3	41426055	Motor Cover Assm. - AG - S3513, S3515 (Incl. Item 1)
	41426052	Motor Cover Assm. - AG - S3517 (Incl. Item 1)
	41426117	Motor cover Assm. - ABM - S3533 (incl. Item 1)
4	12227	Insulated Terminal (3)
5	41312040	Motor Retainer - AAP (Incl. Items 6,26,27)
6	34633003	Retainer Seal - RH
7	36322031	Motor Mount - BZ
8	36235069	Furniture Guard - AG
9	43576118	Motor Assm. - S3515, S3517 (P-249)
	43576116	Motor Assm. - S3515 (8.0 Amps) (P-235)
	43576186	Motor Assm. - S3533 (P-290)
	43576114	Motor Assm. - (P-250)
	43576126	Motor Assm. - S3513 (P-267)
10	N/A	Attachment Cord - AAP
	46383289	Attachment Cord - AG - S3533
11	36215033	Strain Relief - ABU
12	42215051	Main Body Assm. - ABU (Incl. Items 8,13,14,15)
13	38522065	Wheel - AG (2)
14	37258130	PTO Cover - AAP
	37258134	PTO Cover - ABU - S3533
15	41432040	Wheel Carrier Assm. - AG
16	36424010	Bag Collar Support - AAP
17	4010064S	Throw Away Bag Assm. - 3 Pk.
18	51151010	Bag Indicator
19	36424012	Bag Collar Seal - AG
20	36151027	Bag Lid Hinge - AAT (2)
21	37944005	Filter Retainer - AG
22	38765009	Secondary Filter
23	42217107	Bag Lid Assm. - AG - S3515, S3513 (incl. Items 18,19,24,25)
	42217065	Bag Lid Assm. - AG - S3517 (4.0 PHP) (Incl. Items 18,19,24,25)
	42217135	Bag Lid Assm. - AG - S3517 (4.8 PHP) (incl. Items 18,19,24,25)
	42217150	Bag Lid Assm. - ABM -S3533 (incl. Items 18, 19, 24, 25)
24	38351009	Torsion Spring - FW
25	36153040	Bag Lid Latch - AG - S3515, S3517, S3533
	36153042	Bag Lid Latch - ABC - S3513

Ref. No.	Part No.	Description
26	34633002	Retainer Seal - LH
27	34123040	Retainer Seal - Center
28	28212026	Switch Assm. - with Leads
	28218048	Switch - with Terminals
29	34135014	Switch Mounting Plate
30	38314022	Spring - FW
	38314026	Spring - S3533
31	38422162	Switch Pedal - AAP - with Post
	38422164	Switch Pedal - AG - w/o Post (Use with 28218048 Switch)
	56513332	Owner Manual - S3513, S3533, S3517
	56513330	Owner Manual - S3515
	59814004	Carton
	58175081	Carton - S3517
	58175100	Carton - S3533
	58211011	Bottom Support - Front
	58211012	Bottom Support - Rear
	58368007	Mid Pad
	58362004	Top Support

CLEANING TOOLS (P-240)

38617017	Crevice Tool - AG
43414057	Furniture Nozzle - AG
43414064	Dusting Brush Assm. - AG
43453027	Ext. Tube
43453018	Ext. Tube - BL 20
43434242	Hose - AAZ/AAP Molded - w S/C (P-251)
43414101	Rug & Floor Nozzle - DLX (P-188)

CLEANING TOOLS (P-240) S3533

38617017	Crevice Tool - AG
43414057	Furniture Nozzle - AG
43414064	Dusting Brush Assm. - AG
43453027	Ext. Tube - AX 20
43434242	Hose - ABX/AG - Molded w/sc (P-251)
0M114169	Rug & Floor Nozzle - STD (P-188)

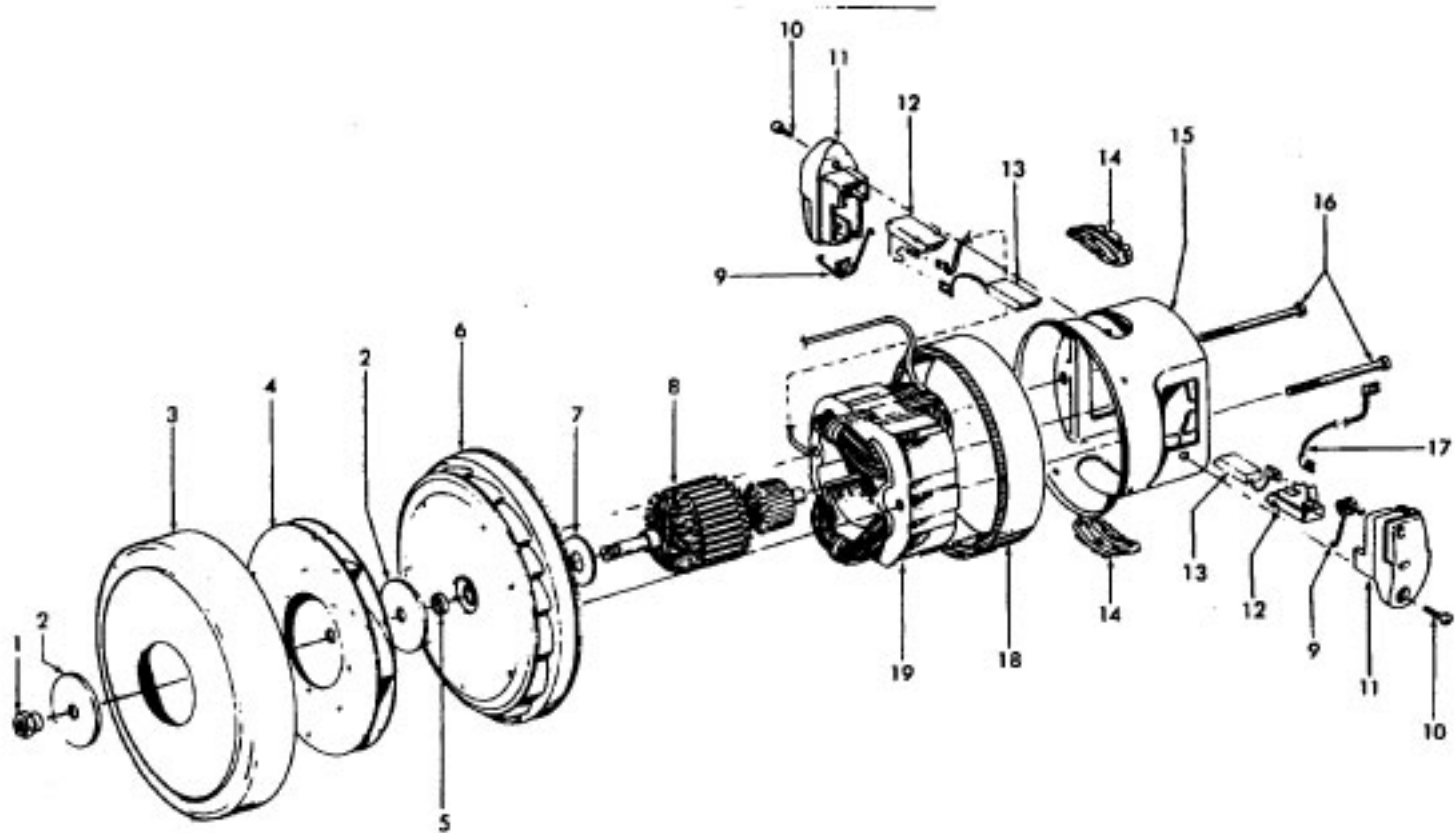
Note: Refer to Data Label on cleaner for reference to Amp Rating.

Motor Assembly

Models S3509, S3511, S3513, S3519
S3525, S3535, S3545

S3509 (7.8 Amp)
S3511 (7.8 Amp)
S3513 (7.8 Amp)
S3519 (7.8 Amp)
S3525 (9.7 Amp)
S3535 (9.7 Amp)
S3545 (10.4 Amp)

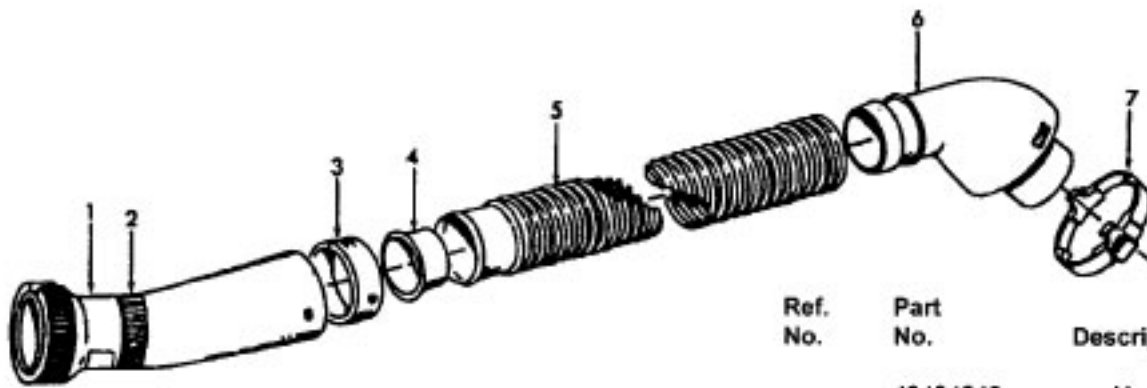
Note: Refer to Data Label on cleaner for reference to Amp rating.



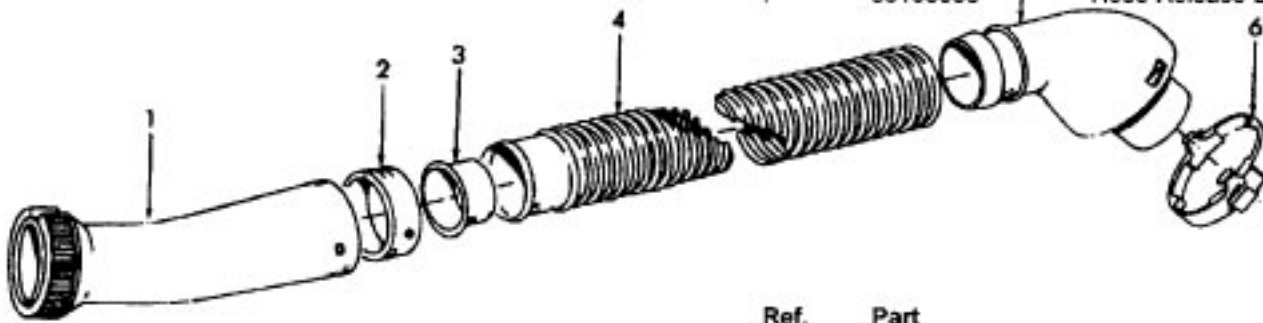
Ref. No.	Part No.	Description	Ref. No.	Part No.	Description
	43576126	Motor Assm. (Molded Diffuser)	9	38353004	Spring (2)
	43578071	Motor Assm. (Die Cast Diffuser)	10	21429406	Screw (2)
1	12028	Nut	11	168038AG	Brush Carrier (2)
2	21312774	Washer - FW (2)	12	168506	Brush Holder (2)
3	37196065	Fan Cover	13	167679	Motor Brush Assm. (.2)
4	43551008	Fan	14	169702BZ	Bushing (2)
5	31148009	Bearing Spacer (Use w/Die Cast Diffuser)	15	42193025	Motor Housing Assm.
	31148011	Bearing Spacer (Use w/Molded Diffuser)	16	36112006	Field Lamination Bolt (2) (Die Cast Diffuser)
6	43551012	Diffuser Assm. Comp. (Die Cast)		21447222	Field Lamination Bolt (2) (Phenolic Diffuser)
	43551030	Diffuser Assm. Comp. (Molded)	17	46176001	Lead Wire Assm.
7	31165003	Bearing Retainer Plate (Die Cast Diffuser)	18	36322031	Motor Gasket
8	44765220	Armature Assm.	19	45311048	Field Assm.

Hose Assemblies

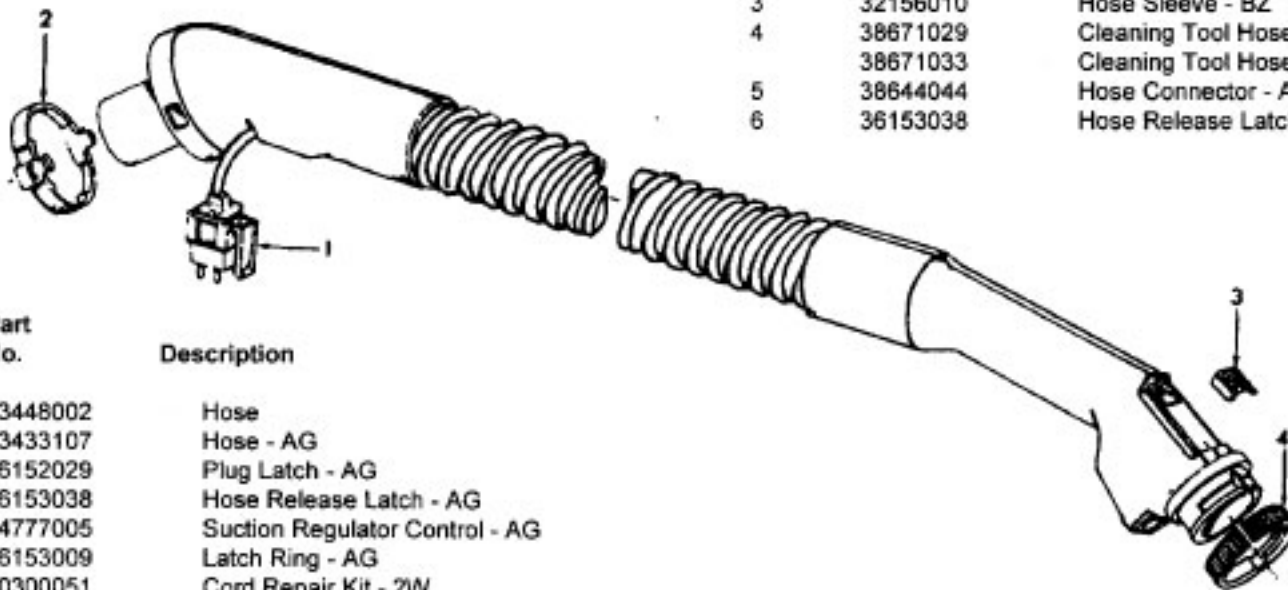
Futura/TurboPOWER/PowerMax



Ref. No.	Part No.	Description
	43434242	Hose Assem. Comp. - ABX/AG - S/C S3513, S3515, S3517, S3527
1	43434260	Hose Assem. Comp. - AG - S3510
	43466044	Hose Grip Assem. - AAP
	43466068	Hose Grip Assem. - AG - S3527
	43466072	Hose Grip Assem. - AG - S3510
2	38711006	Suction Control Ring - MV
	38711012	Suction Control Ring - ABN - S3527
	38711014	Suction Control Ring - AG - S3510
3	36171025	Hose Connector Collar
4	32156010	Hose Sleeve - BZ
5	38671029	Cleaning Tool Hose - AAZ
	38671033	Cleaning Tool Hose - ABX - S3527
	38671034	Cleaning Tool Hose - AG - S3510
6	38644044	Hose Connector - AG
7	36153038	Hose Release Latch - AG



Ref. No.	Part No.	Description
1	43434241	Hose Assem. Comp.
	43466054	Hose Grip Assem. - AAP
	43466066	Hose Grip Assem. - AG - S3523
2	36171025	Hose Connector Collar
3	32156010	Hose Sleeve - BZ
4	38671029	Cleaning Tool Hose - AAZ
	38671033	Cleaning Tool Hose - ABX - S3523
5	38644044	Hose Connector - AG
6	36153038	Hose Release Latch - AG



Ref. No.	Part No.	Description
	43448002	Hose
	43433107	Hose - AG
1	36152029	Plug Latch - AG
2	36153038	Hose Release Latch - AG
3	34777005	Suction Regulator Control - AG
4	36153009	Latch Ring - AG
	40300051	Cord Repair Kit - 2W