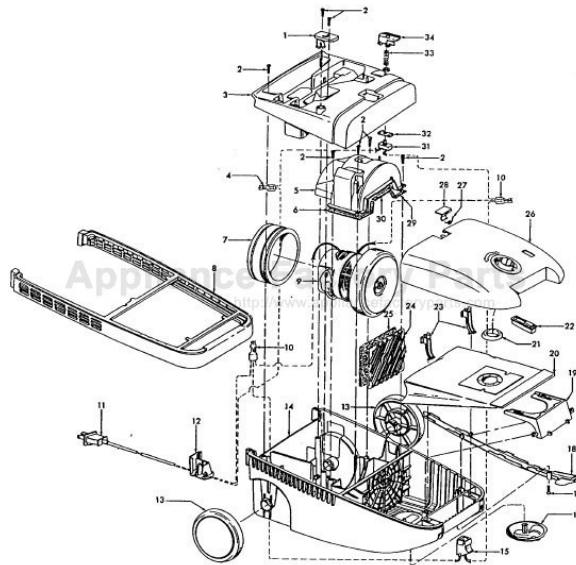


This Owner's Manual is provided and hosted by [Appliance Factory Parts](http://ApplianceFactoryParts.com).



HOOVER S3545 Owner's Manual

[Shop genuine replacement parts for HOOVER S3545](#)

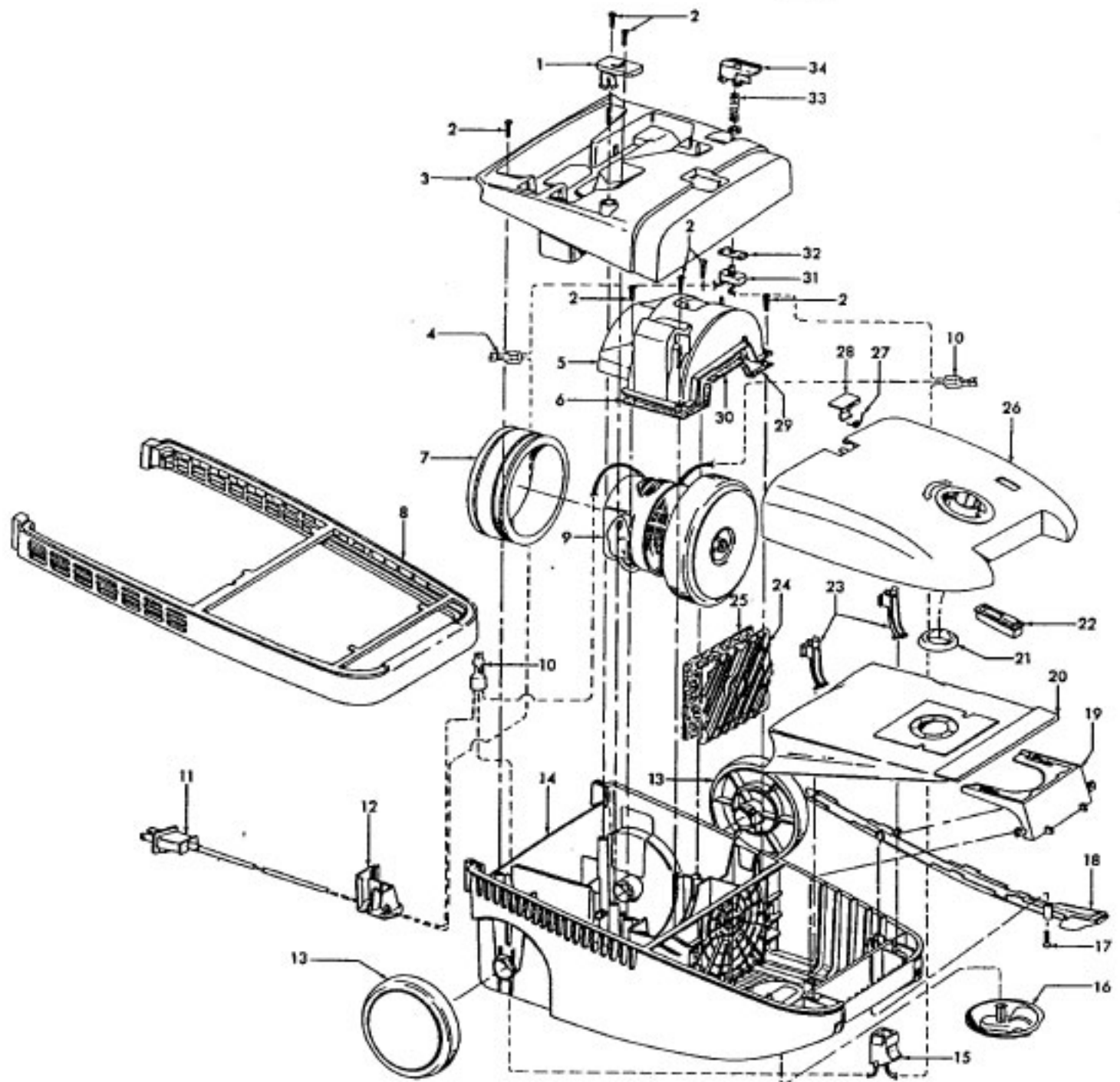


[Find Your HOOVER Vacuum Cleaner Parts - Select From 1456 Models](#)

----- Manual continues below part list -----

Available Replacement Parts for HOOVER S3545

H-4010064S	BAG OEM HOOVER (3 PACK)
48414036	HOOVER ELITE BRUSH ROLLER
H-43267002	AGITATOR BEARING ASM
H-43414073	Floor brush.
H-43414064	DUSTING BRUSH (ONE PEICE)
H-38765009	SECONDARY FILTER
HR-5000	EXTENSION TUBE
HR-1050	BELT FOR HOOVER



Futura

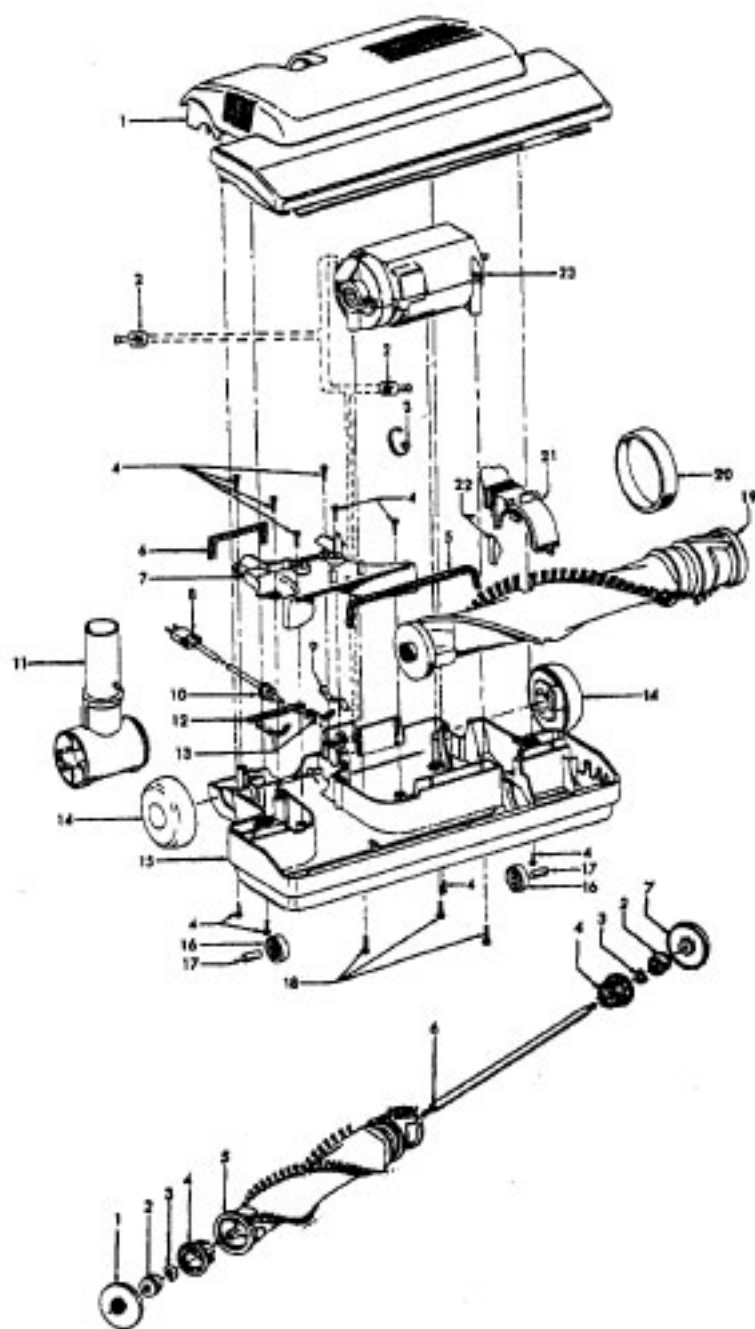
Models S3520, S3535, S3545, S3549

Ref. No.	Part No.	Description	Ref. No.	Part No.	Description
1	39442034	Cord Wrap - AG	26	42217109	Bag Lid Assm. - ABC - S3535 (incl. Items 21,22,27,28)
2	21447217	Screw (7)		42217110	Bag Lid Assm. - AAR - S3545 (incl. Items 21,22,27,28)
3	41426093	Motor Cover Assm. - ABC - S3535 (Incl. Item 1)		42217139	Bag Lid Assm. - MY -S3549 (4.0 PHP) (incl. Items 21, 27, 28)
	41426051	Motor Cover Assm. - AAR - S3545 (Incl. Item 1)		42217149	Bag Lid Assm. - MY - S3549 (4.8 PHP) (Incl. Items 21,27,28)
	41426096	Motor Cover Assembly - MY - S3549 (Inc. Item 1)		42217173	Bag Lid Assm. - MB - S3520 (Inc. Items 21, 22, 27, 28)
	41426118	Motor Cover Assem. - MB - S3520 (Inc. Item 1)	27	38351009	Torsion Spring - FW
4	12227	Insulated Terminal	28	36153040	Bag Lid Latch - AG - S3520, S3535, S3549
5	41312040	Motor Retainer Assembly (Inc. items 6, 29, 30)		36153043	Bag Lid Latch - AAR - S3545
6	34633003	Retainer Seal - RH	29	34633002	Retainer Seal - LH
7	36322031	Motor Mount - BZ	30	34123040	Retainer Seal - Center
8	36235069	Furniture Guard - AG	31	28212026	Switch - with Leads
9	43578071	Motor Assm. (Incl. Item 7) S3535 - 9.7 Amps (S3545 -10.3 Amps) (P-250)		28218048	Switch - with Terminals
	43576126	Motor Assm. Incl. Item 7 S3535 -9.9 Amps (S3545 - 10.4 Amps) (P-267)	32	34135014	Switch Mounting Plate - AAP
	43576118	Motor Assm. (incl. Item 7) -S3549 (P-249)	33	38314022	Spring - FW
	43576184	Motor Assm. (Inc. Item 7) - S3520 (P-266)	34	38314026	Spring - S3520
10	18972	Insulated Terminal (2)		38422162	Switch Pedal - AAP- with Post
11	46383289	Attachment Cord - AG		38422164	Switch Pedal - AG - w/o Post (Use with 28218048 Switch)
12	36215033	Strain Relief - AG			
13	38522065	Wheel - AG (2)		56513340	Owner Manual
14	42215089	Main Body Assm. (Incl. Items 8,15,17,18)		56513344	Owner Manual - S3520
	42215092	Main Body Assm. S3520 - (Inc. Items 8,15,18)		59814005	Carton
15	46326059	Receptacle Assm - AAP		58175123	Carton - S3520
	46326082	Receptacle Assm. - AG		58211011	Bottom Support - Front
16	41432040	Wheel Carrier Assm. - AG		58211012	Bottom Support - Rear
17	21434288	Screw-Self Tapping		58216013	Top Support
18	36218021	Cord Channel Cover - AAP	CLEANING TOOLS (P-240)		
	36218020	Cord Channel Cover - AG - S3520		38617017	Crevice Tool - AG
19	36424010	Bag Collar Support - AG		43414057	Furniture Nozzle - AG
20	4010064S	Throw Away Bag Assm. - 3 Pk.		43414064	Dusting Brush Assm. - AG
21	36424012	Bag Collar Seal - AG		43414073	Floor Brush - AAP
22	51151010	Bag Indicator		43453052	Ext. Tube - 20 - AX
23	36151027	Bag Lid Hinge - AG (2)		43433107	Hose - AG (P-251)
24	37944005	Filter Retainer - AG		48438235	Powered Nozzle - AAP-S3520, S3535 (P-252)
25	38765009	Secondary Filter		48438230	Powered Nozzle - AAP -S3545, S3549 (P-253)

Note: Refer to Data Label on cleaner for reference to Amp Rating.

48438235 - S3525, S3535
 48438251 - S3399
 48438254 - S3395
 48438235 - S3420, S3520

48438076 - S3391
 48438257 - S3559, S3395-040
 48438261 - S3561

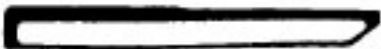


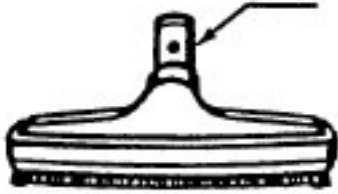



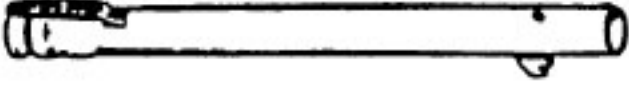
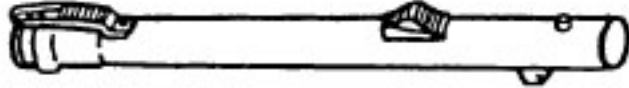
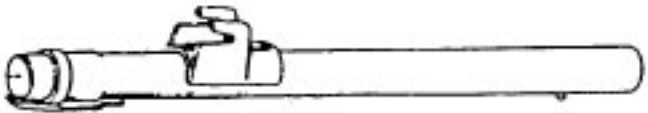



Ref. No.	Part No.	Description
1	37241004	Nozzle Body - ABY - S3561
	37241138	Nozzle Body - AAP - S3525, S3535
	37241137	Nozzle Body - AAP - S3399
	37241139	Nozzle Body - AAP - S3395
	37241140	Nozzle Body - ABE - S3395-040, S3559
	37241144	Nozzle Body - ABM - S3391
	42252A55	Nozzle Body - AG - S3420, S3520
2	12227	Insulated Terminal
	27618508	Wire Connector
3	27479307	Lead Wire Tie
4	21447003	Screw-Self Tapping (10)
5	34123039	Duct Cover Seal
6	34253018	Rear Seal
7	42256103	Duct Cover Assem. (Incl. Items 5,6)
8	46321088	Cord -AG
9	35276008	Detent Spring
10	163768	Strain Relief
11	43482106	Nozzle Connector - AG
12	34112007	Seal
13	34122014	Seal (2)
14	43244043	Wheel Assem.
15	42246115	Base Plate Assem. (Incl. Items 16,17)
	42246114	Base Plate Assem. - ABR - S3395-040, S3391
	42246115	S3559 (Incl. Items 16, 17)
	42246115	Base Plate Assem. - AG - S3420, S3520 (Incl. items 16, 17)
16	32761001	Wheel
17	31522004	Wheel Shaft
18	21479801	Screw (3)
19	48414079	Agitator Assem.
20	38528011	Belt
21	36923008	Belt Guard Assem.
22	13261AY	Rib Shoe
23	43177062	Motor Assem. Comp.

Agitator 48414079

Ref. No.	Part No.	Description
1	36423016	Thread Guard - RH
2	43267002	Agitator Bearing Assem. (2)
3	21347003	Conical Washer (2)
4	36422022	Agitator End (2)
5	48414051	Agitator Body
6	32724013	Agitator Shaft
7	36423017	Thread Guard - LH

Cleaning Tools - Futura, Spectrum, Dimension, WindTunnel

	38617017	Crevice Tool - AG
	43414057	Furniture Nozzle - AG
	43414141	Furniture Nozzle - ABR
	43414064	Dusting Brush - AG
	38644020	Swivel Connector - AG
	38644040	Swivel Connector - AAP
	43414073	Floor Brush - AG
	48447001	+ Brush Back
	36172584	Cord/Wand Clip
	43453052	Ext. Tube - 20 - AX
	43453027	Ext. Tube
	43453058	+ Ext. Tube - BL 20 w/o Cord Clip
	43453023	Ext. Tube - AX 20
	43453095	Ext. Tube - AX 20 (Black Storage Clip) (Spectrum)
	43453098	Ext. Tube - AX 20 (Gray Storage Clip) (Futura)
	43453099	Ext. Tube - AX 20 (Black Storage Clip) (WindTunnel Canister)
	3863801P	Extension Tube - Poly - AG