

Futura

Ref. No.	Part No.	Description
1	39442034	Cord Wrap - AG
2	21447217	Screw (7)
3	41426053	Motor Cover Assem. - ABY - S3561 (Incl. It. 1)
	41426098	Motor Cover Assem. - AAS - S3525, S3553 (Incl. Item 1)
	41426116	Motor Cover Assem. - ABD - S3559
	41426128	Motor Cover Assem. - MB - S3563
4	41312040	Motor Retainer - AAP (Incl. It. 5,26,27)
5	34633003	Retainer Seal - RH
6	36322031	Motor Mount - BZ
7	36235069	Furniture Guard - AG
8	43576184	Motor Assem. (Incl. Item 6) (9.1 Amps) (P-266) S3525
	43576114	Motor Assem. - (P-250)
	43576118	Motor Assem. - S3553 (incl. It 6) (P-249)
	43576126	Motor Assem. - S3525 (Incl. Item 6) (9.9 Amps) (P-267) - S3525 (Incl. Item 6) (9.7 Amps)
	43576186	Motor Assem. - S3559, S3563, S3561 (Incl. Item 6) (P-290)
9	18972	Insulated Terminal (2)
10	N/A	Attachment Cord Assem. - AAP
	46383289	Attachment Cord Assem. - AG S3559, S3563, S3561
11	36215033	Strain Relief - AG
12	38522065	Wheel - AG (2)
13	42215089	Main Body Assem. - AAP (incl. It 7,14,17)
	42215084	Main Body Assem. - ABU - S3559, S3561, S3563 (incl. It. 7, 14, 17)
14	46326059	Receptacle Assem. - AAP
	46326082	Receptacle Assem. - AG - S3559, S3563, S3561
15	41432040	Wheel Carrier Assem. - AG
16	21447223	Screw-Self Tapping
17	36218021	Cord Channel Cover - AAP
	36218020	Cord Channel Cover - AG - S3559, S3563, S3561
18	36424010	Bag Collar Support - AAP
19	4010064S	Throw Away Bag Assem. - 3 Pk.
20	36424012	Bag Collar Seal - AG
21	51151010	Bag Indicator
22	36151027	Bag Lid Hinge - AAT (2)
23	37944005	Filter Retainer - AG
24	38765009	Secondary Filter
25	42217108	Bag Lid Assem. - AAS - S3525 (Incl. Items 20,21,28,29)
	42217065	Bag Lid Assem. Comp. - AAY - S3553 (4.0 PHP) (Incl. Items 20,21,28,29)
	42217145	Bag Lid Assem. Comp. - AAY - S3553 (4.8 PHP) (incl. Items 20,21,28,29)
	42217151	Bag Lid Assem. - ABB - S3559 (Incl. It 20, 21, 28, 29)
	42217163	Bag Lid Assem. ABB - S3559 (Incl. It 20, 21, 28, 29) (Allergen Filtration Graphics)
	42217157	Bag Lid Assem. - MB - S3563 (incl. It. 20, 28, 29)

Models S3525, S3553, S3559, S3561, S3563

Ref. No.	Part No.	Description
	42217165	Bag Lid Assem. MB - S3563 (incl. It. 20, 28, 29) (Allergen Filtration Graphics)
	42217162	Bag Lid Assem. - ABY - S3561 (incl. It. 20, 28, 29)
	42217164	Bag Lid Assem. ABY - S3561 (incl. It. 20, 28, 29) (Allergen Filtration Graphics)
26	34123040	Retainer Seal - Center
27	34633002	Retainer Seal - LH
28	36153041	Bag Lid Latch - AAS - S3525
	36153040	Bag Lid Latch - AG - S3553, S3563
	36153044	Bag Lid Latch - ABB - S3559
	36153058	Bag Lid Latch - ABY - S3561
29	38351009	Torsion Spring - FW
30	28212026	Switch Assem. - with Leads
	28218048	Switch - with Terminal
31	34135014	Switch Mounting Plate
32	38314022	Spring - FW
	38314026	Spring - S3559, S3563, S3561
33	38422162	Switch Pedal - AAP - with Post
	38422164	Switch Pedal - AG - w/o Post (Use with 28218048 Switch)

ITEMS NOT ILLUSTRATED

56513330	Owner Manual
56513344	Owner Manual - S3559, S3561
59814005	Carton
58175099	Carton - S3559, S3563, S3561
58211011	Bottom Support - Front
58211012	Bottom Support - Rear
58216013	Top Support

CLEANING TOOLS (P-240)

38617017	Crevice Tool - AG
43414057	Furniture Nozzle - AG
43414064	Dusting Brush Assem. - AG
36171005	Cord Clip - AG - S3563, S3561
36172584	Cord/Wand Clip
3863801P	Extension Tube - Poly - AG - S3559
43453052	Ext. Tube - 20 - AX - S3525, S3553, S3563, S3561
43453098	Ext. Tube - AX - S3525, S3553
43433107	Hose - (P. 251)
48438071	Powered Nozzle - ABE (P.253) S3563
48438230	Powered Nozzle - AAP (P.253) S3553
48438235	Powered Nozzle - AAP (P.252) S3525
48438257	Powered Nozzle - ABE (P.252) S3559
48438261	Powered Nozzle - ABY (P.252) S3561

Note: Models S3561 and S3563 do not have Bag Indicator or switch mounting plate.

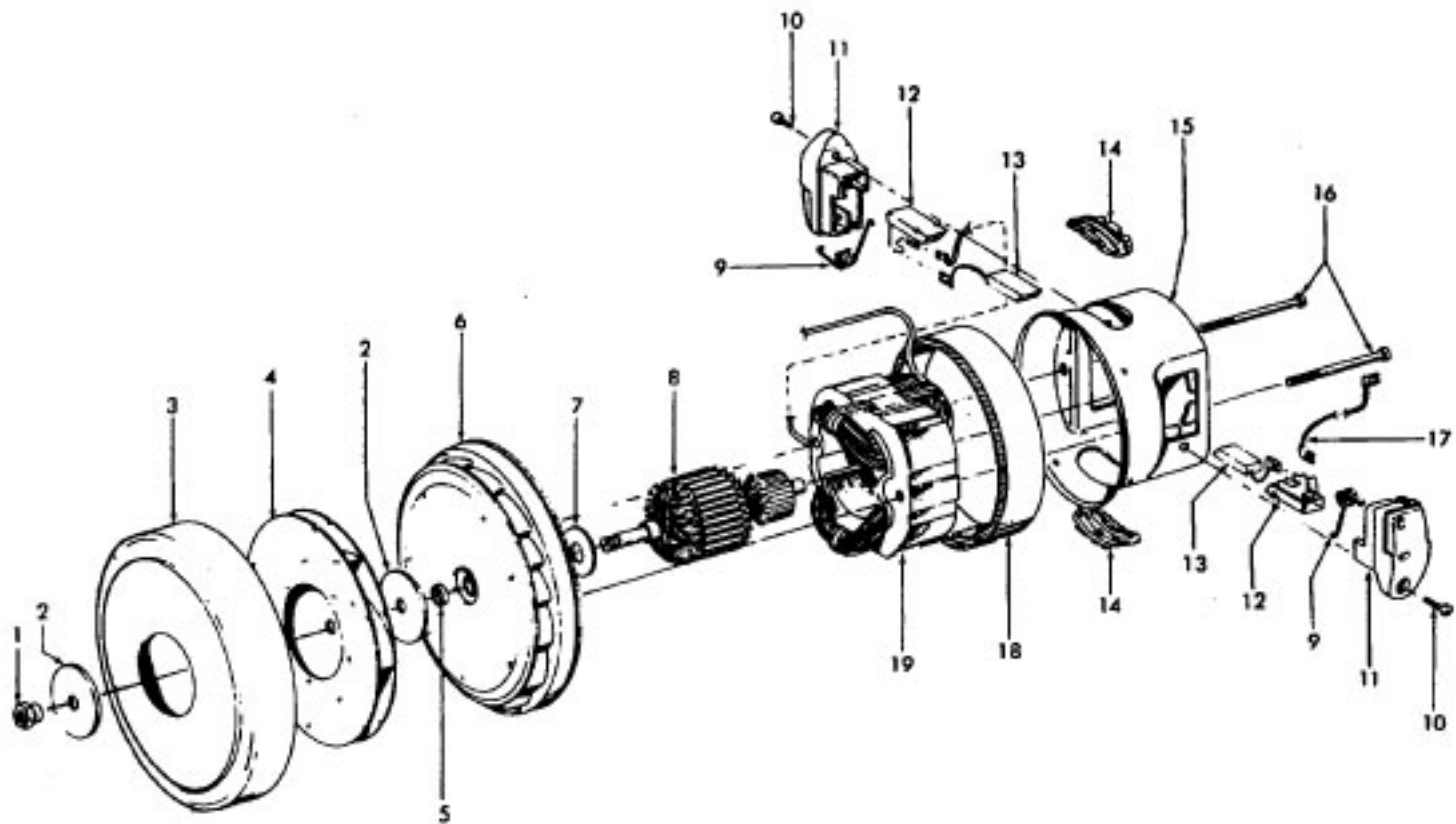
Note: Refer to Data Label on cleaner for reference to Amp Rating.

Motor Assembly

Models S3509, S3511, S3513, S3519
S3525, S3535, S3545

S3509 (7.8 Amp)
S3511 (7.8 Amp)
S3513 (7.8 Amp)
S3519 (7.8 Amp)
S3525 (9.7 Amp)
S3535 (9.7 Amp)
S3545 (10.4 Amp)

Note: Refer to Data Label on cleaner for reference to Amp rating.

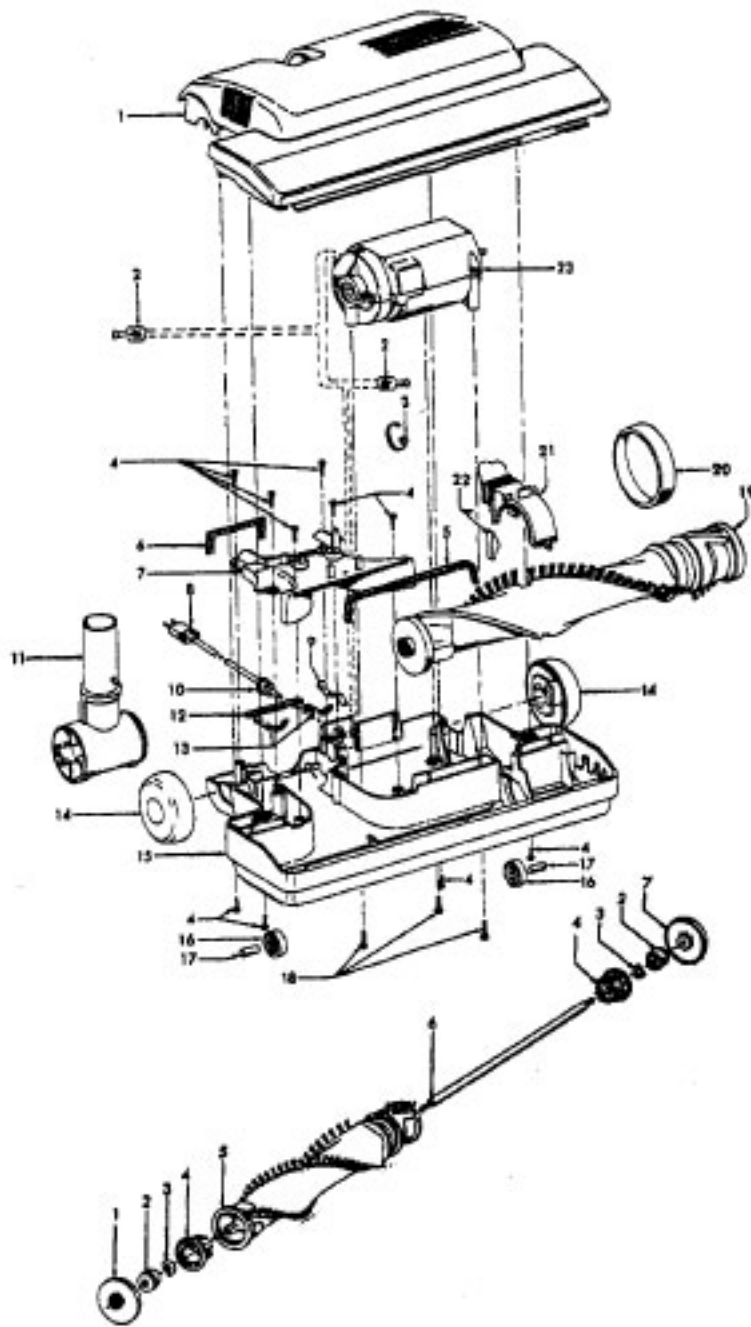


Ref. No.	Part No.	Description
	43576126	Motor Assm. (Molded Diffuser)
	43578071	Motor Assm. (Die Cast Diffuser)
1	12028	Nut
2	21312774	Washer - FW (2)
3	37196065	Fan Cover
4	43551008	Fan
5	31148009	Bearing Spacer (Use w/Die Cast Diffuser)
	31148011	Bearing Spacer (Use w/Molded Diffuser)
6	43551012	Diffuser Assm. Comp. (Die Cast)
	43551030	Diffuser Assm. Comp. (Molded)
7	31165003	Bearing Retainer Plate (Die Cast Diffuser)
8	44765220	Armature Assm.

Ref. No.	Part No.	Description
9	38353004	Spring (2)
10	21429406	Screw (2)
11	168038AG	Brush Carrier (2)
12	168506	Brush Holder (2)
13	167679	Motor Brush Assm. (.2)
14	169702BZ	Bushing (2)
15	42193025	Motor Housing Assm.
16	36112006	Field Lamination Bolt (2) (Die Cast Diffuser)
	21447222	Field Lamination Bolt (2) (Phenolic Diffuser)
17	46176001	Lead Wire Assm.
18	36322031	Motor Gasket
19	45311048	Field Assm.

48438235 - S3525, S3535
 48438251 - S3399
 48438254 - S3395
 48438235 - S3420, S3520

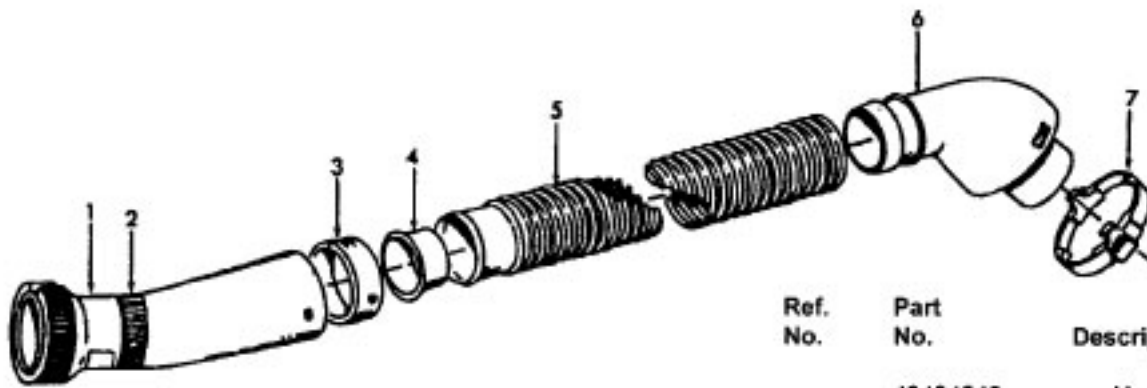
48438076 - S3391
 48438257 - S3559, S3395-040
 48438261 - S3561



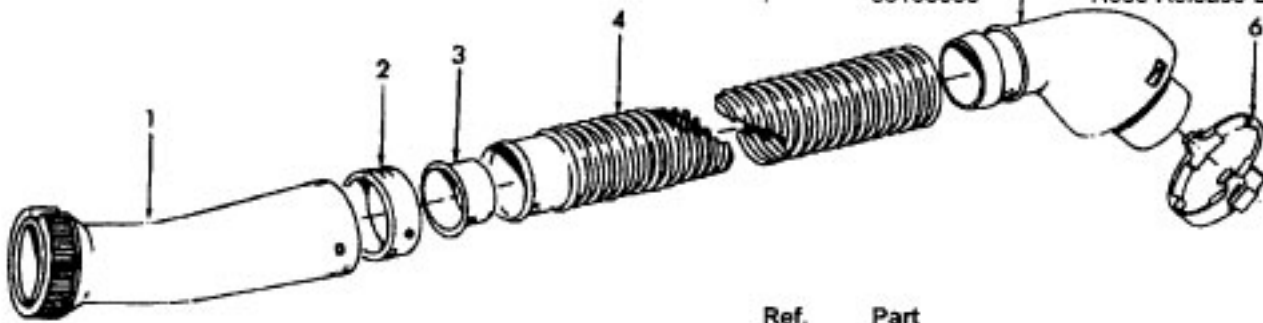
Ref. No.	Part No.	Description
1	37241004	Nozzle Body - ABY - S3561
	37241138	Nozzle Body - AAP - S3525, S3535
	37241137	Nozzle Body - AAP - S3399
	37241139	Nozzle Body - AAP - S3395
	37241140	Nozzle Body - ABE - S3395-040, S3559
	37241144	Nozzle Body - ABM - S3391
	42252A55	Nozzle Body - AG - S3420, S3520
2	12227	Insulated Terminal
	27618508	Wire Connector
3	27479307	Lead Wire Tie
4	21447003	Screw-Self Tapping (10)
5	34123039	Duct Cover Seal
6	34253018	Rear Seal
7	42256103	Duct Cover Assem. (Incl. Items 5,6)
8	46321088	Cord -AG
9	35276008	Detent Spring
10	163768	Strain Relief
11	43482106	Nozzle Connector - AG
12	34112007	Seal
13	34122014	Seal (2)
14	43244043	Wheel Assem.
15	42246115	Base Plate Assem. (Incl. Items 16,17)
	42246114	Base Plate Assem. - ABR - S3395-040, S3391
	42246115	S3559 (Incl. Items 16, 17)
	42246115	Base Plate Assem. - AG - S3420, S3520 (Incl. items 16, 17)
16	32761001	Wheel
17	31522004	Wheel Shaft
18	21479801	Screw (3)
19	48414079	Agitator Assem.
20	38528011	Belt
21	36923008	Belt Guard Assem.
22	13261AY	Rib Shoe
23	43177062	Motor Assem. Comp.

Agitator 48414079

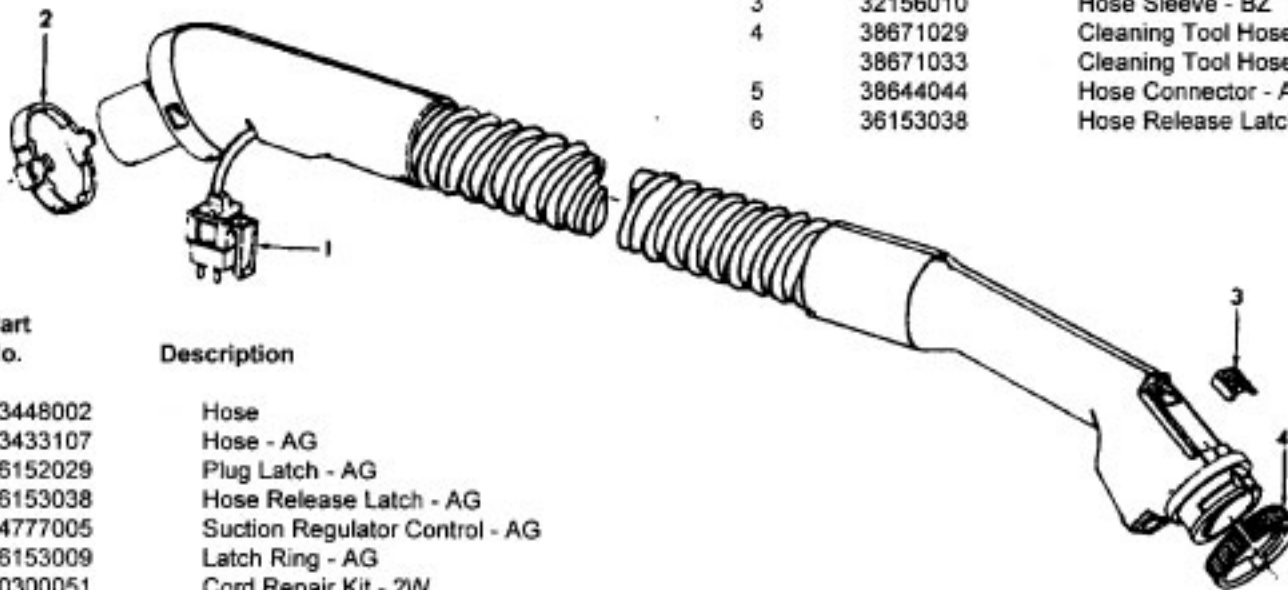
Ref. No.	Part No.	Description
1	36423016	Thread Guard - RH
2	43267002	Agitator Bearing Assem. (2)
3	21347003	Conical Washer (2)
4	36422022	Agitator End (2)
5	48414051	Agitator Body
6	32724013	Agitator Shaft
7	36423017	Thread Guard - LH



Ref. No.	Part No.	Description
	43434242	Hose Assem. Comp. - ABX/AG - S/C S3513, S3515, S3517, S3527
1	43434260	Hose Assem. Comp. - AG - S3510
	43466044	Hose Grip Assem. - AAP
	43466068	Hose Grip Assem. - AG - S3527
	43466072	Hose Grip Assem. - AG - S3510
2	38711006	Suction Control Ring - MV
	38711012	Suction Control Ring - ABN - S3527
	38711014	Suction Control Ring - AG - S3510
3	36171025	Hose Connector Collar
4	32156010	Hose Sleeve - BZ
5	38671029	Cleaning Tool Hose - AAZ
	38671033	Cleaning Tool Hose - ABX - S3527
	38671034	Cleaning Tool Hose - AG - S3510
6	38644044	Hose Connector - AG
7	36153038	Hose Release Latch - AG

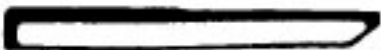



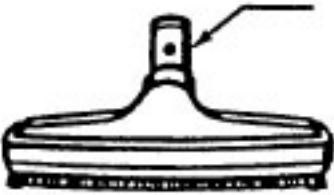
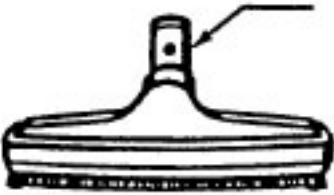



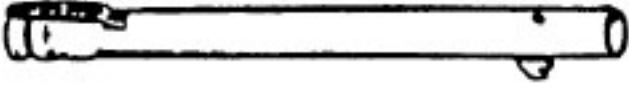
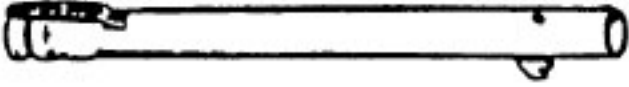
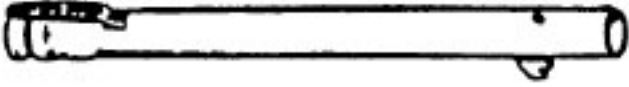
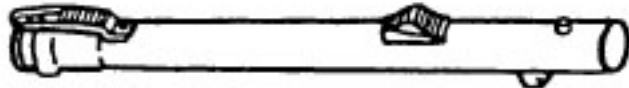
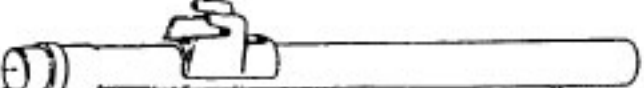
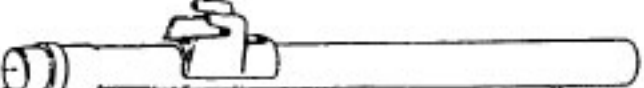
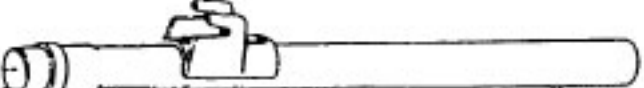



Ref. No.	Part No.	Description
1	43434241	Hose Assem. Comp.
	43466054	Hose Grip Assem. - AAP
	43466066	Hose Grip Assem. - AG - S3523
2	36171025	Hose Connector Collar
3	32156010	Hose Sleeve - BZ
4	38671029	Cleaning Tool Hose - AAZ
	38671033	Cleaning Tool Hose - ABX - S3523
5	38644044	Hose Connector - AG
6	36153038	Hose Release Latch - AG



Ref. No.	Part No.	Description
	43448002	Hose
	43433107	Hose - AG
1	36152029	Plug Latch - AG
2	36153038	Hose Release Latch - AG
3	34777005	Suction Regulator Control - AG
4	36153009	Latch Ring - AG
	40300051	Cord Repair Kit - 2W

Cleaning Tools - Futura, Spectrum, Dimension, WindTunnel

	38617017	Crevice Tool - AG
	43414057	Furniture Nozzle - AG
	43414141	Furniture Nozzle - ABR
	43414064	Dusting Brush - AG
	38644020	Swivel Connector - AG
	38644040	Swivel Connector - AAP
	43414073	Floor Brush - AG
	48447001	Brush Back
	36172584	Cord/Wand Clip
	43453052	Ext. Tube - 20 - AX
	43453027	Ext. Tube
	43453058	Ext. Tube - BL 20 w/o Cord Clip
	43453023	Ext. Tube - AX 20
	43453095	Ext. Tube - AX 20 (Black Storage Clip) (Spectrum)
	43453098	Ext. Tube - AX 20 (Gray Storage Clip) (Futura)
	43453099	Ext. Tube - AX 20 (Black Storage Clip) (WindTunnel Canister)
	3863801P	Extension Tube - Poly - AG