



REDI-BILT BARBECUES

ASSEMBLY MANUAL & PARTS LIST

MANUEL DE MONTAGE & LISTE DE PIÈCES



STERLING⁶

5023-64/67

5123-64/67

5123-84/87

broil-mate™

7123-64/67

7123-84/87



STERLING⁶

5133-64/67

5139-84/87

broil-mate™

7133-64/67

7139-84/87

RETAIN FOR FUTURE REFERENCE

VEUILLEZ CONSERVER POUR REFERENCE ULTERIEURE

1-800-265-2150

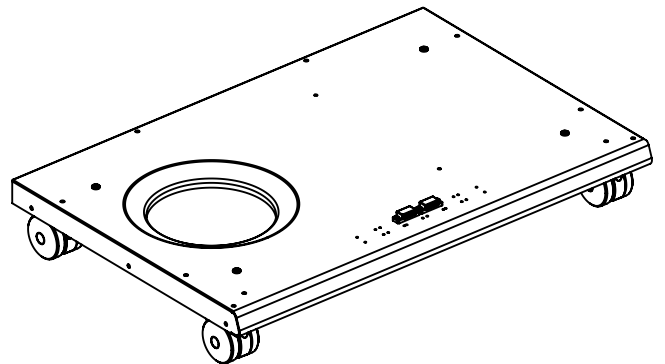
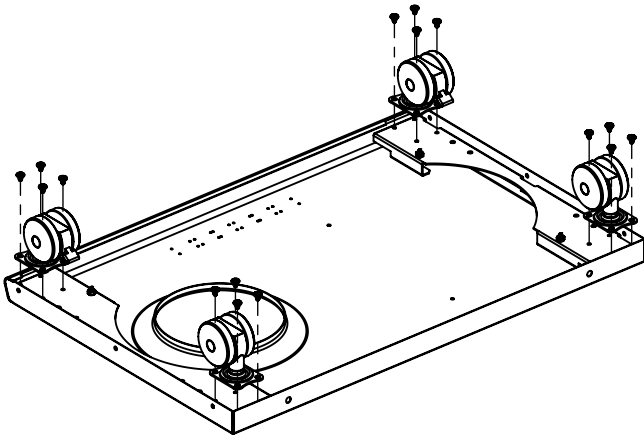
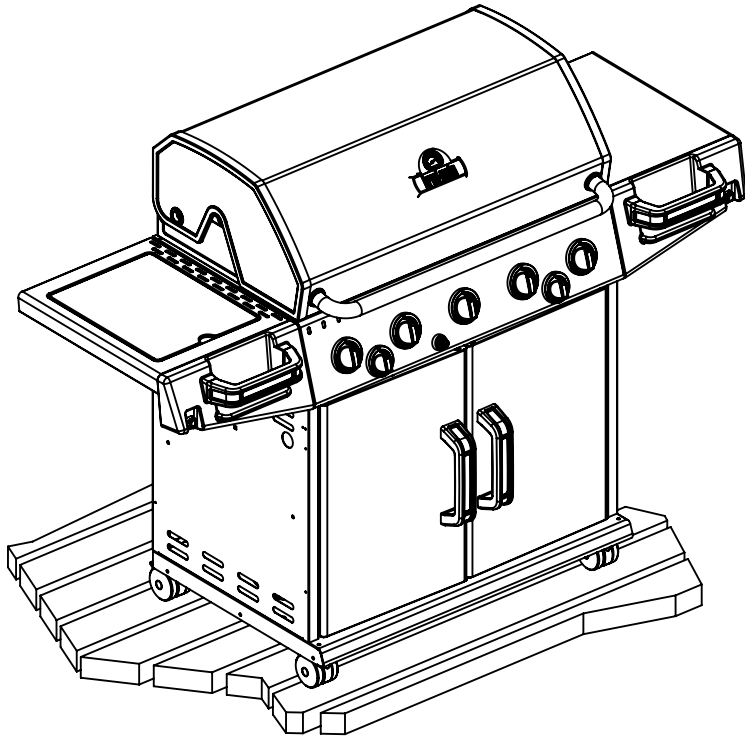
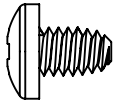
info@omcbbq.com

Onward
MANUFACTURING COMPANY
SINCE 1906
1000 EAST MARKET STREET
HUNTINGTON, INDIANA, 46750, USA

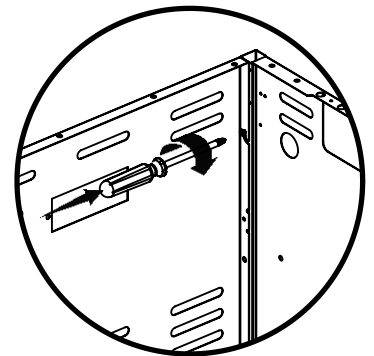
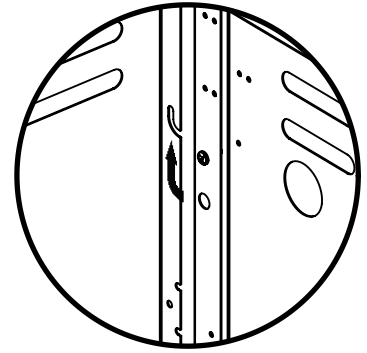
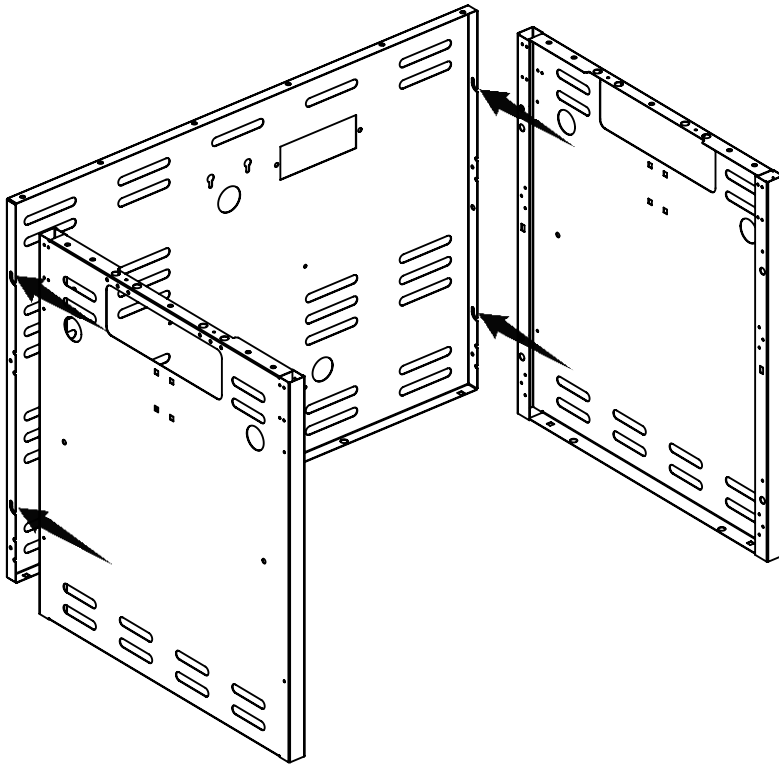
20084-E90 REVE 10/11

1

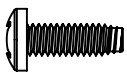
(16)

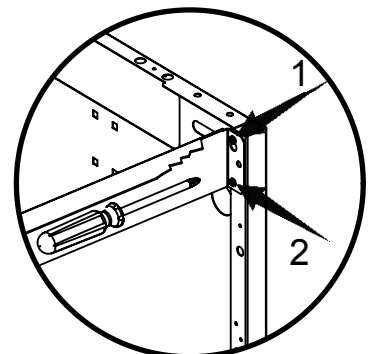
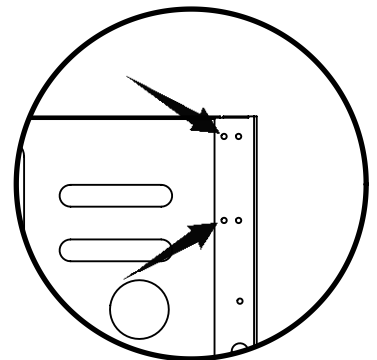
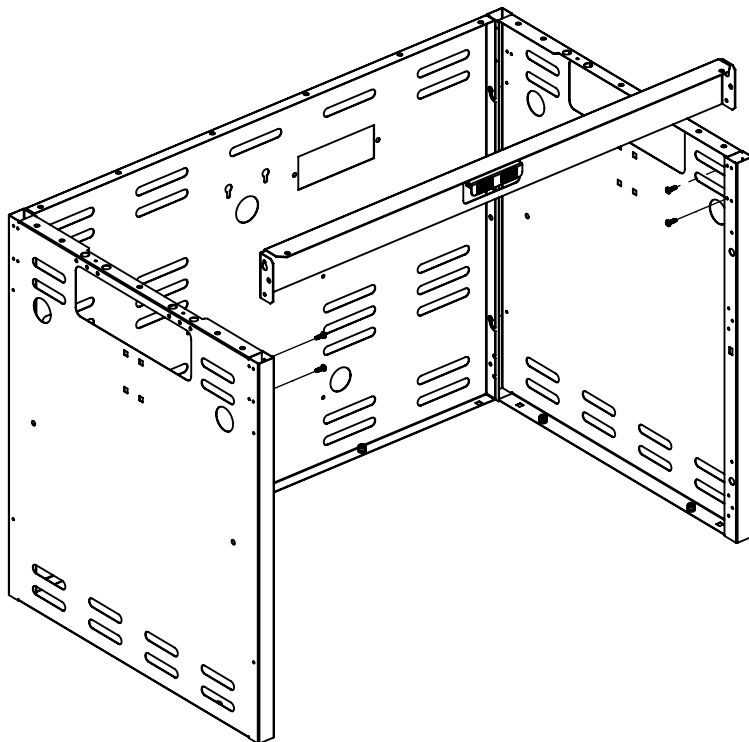


2

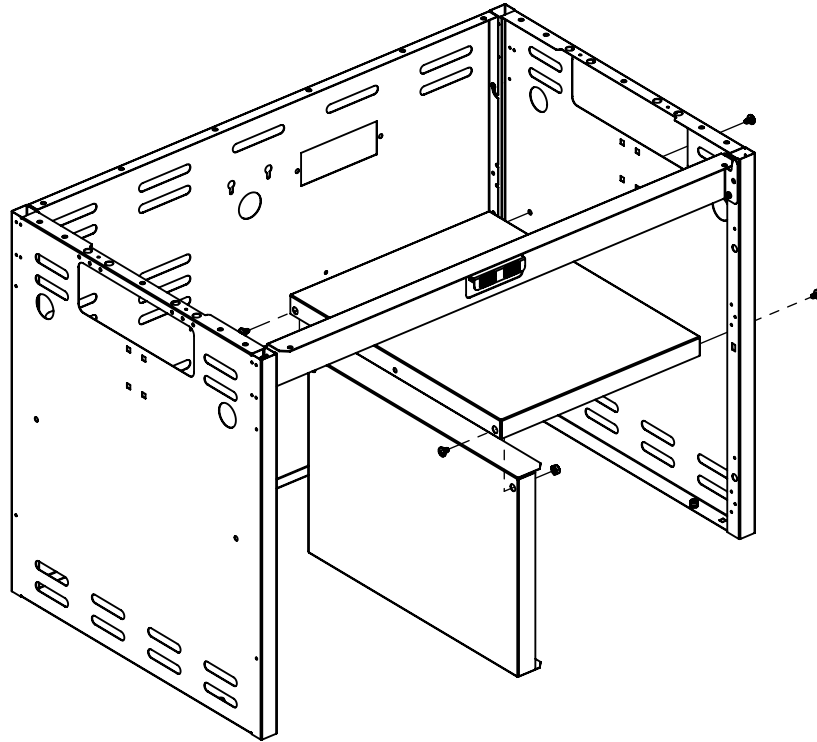
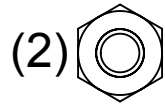
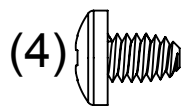


3

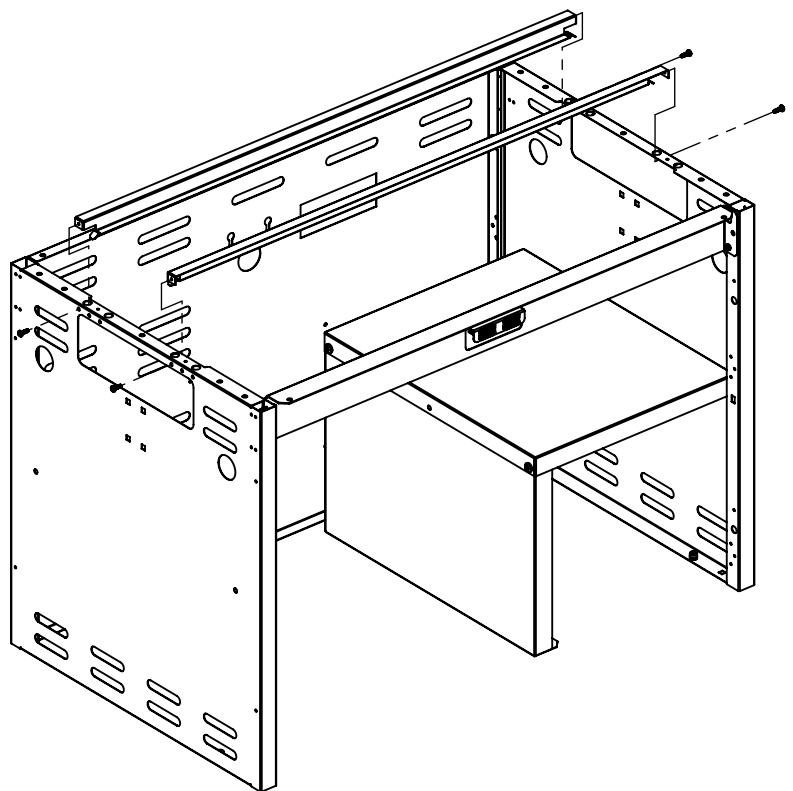
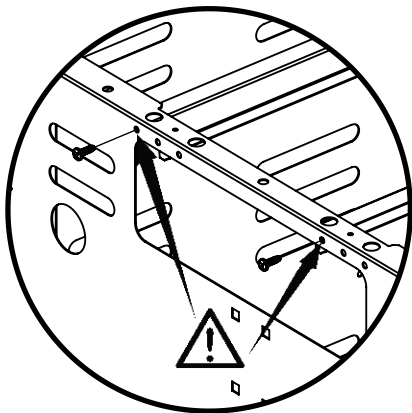
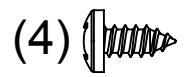
(4) 



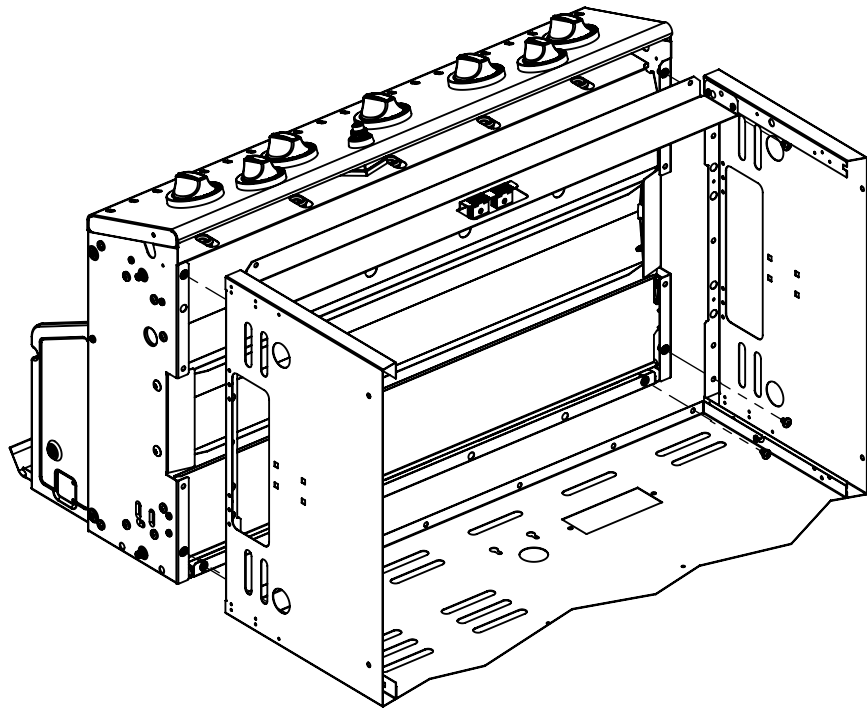
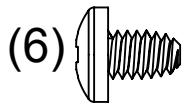
4



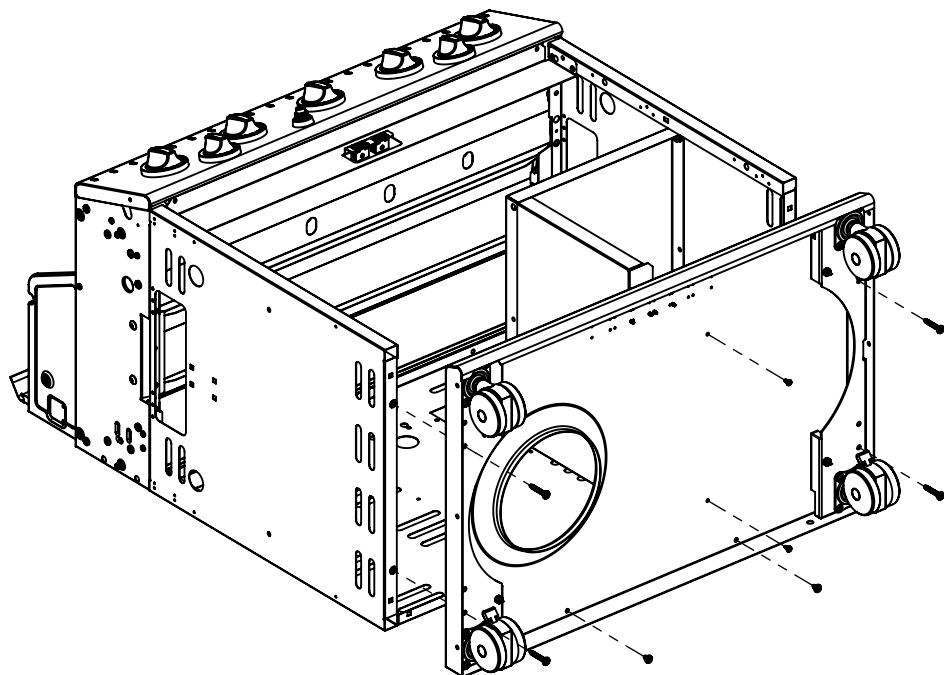
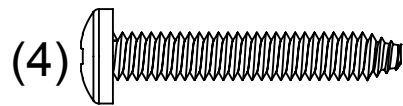
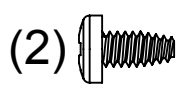
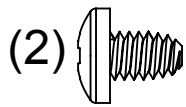
5



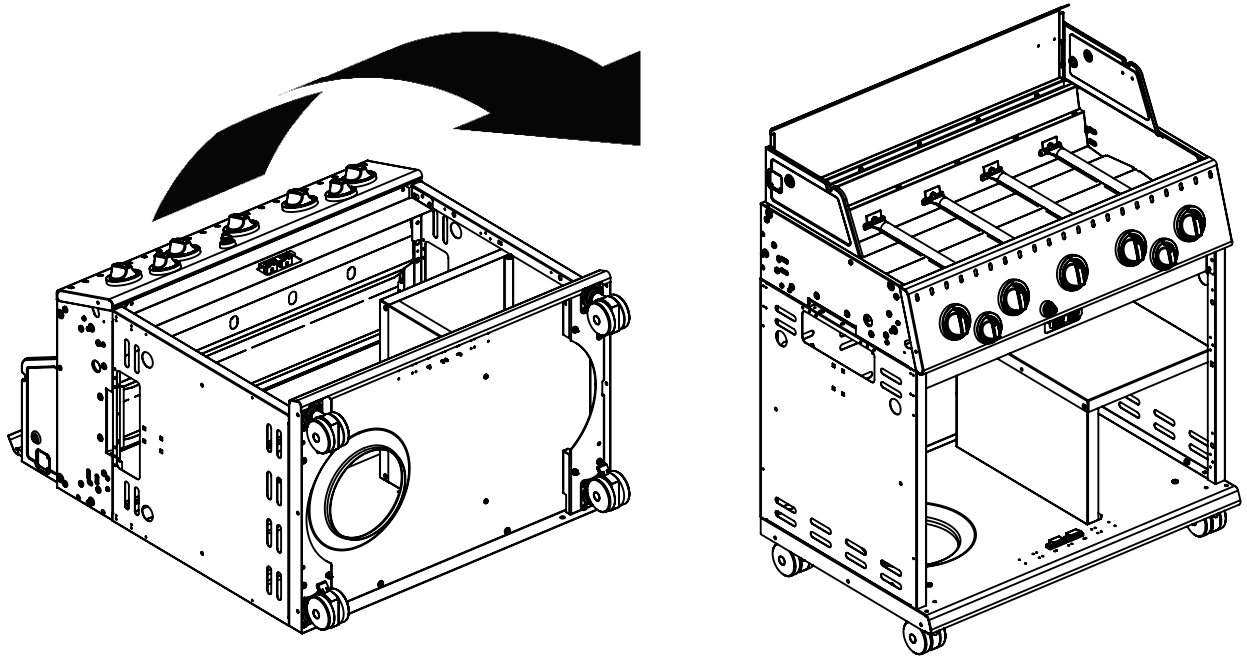
6



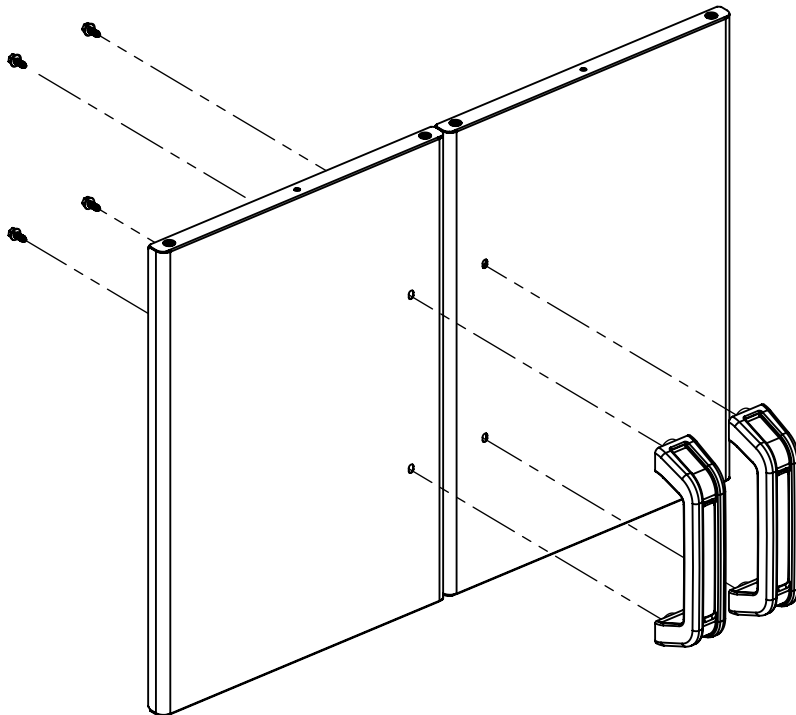
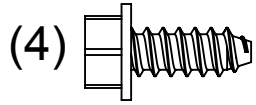
7



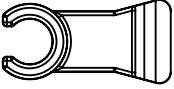
8

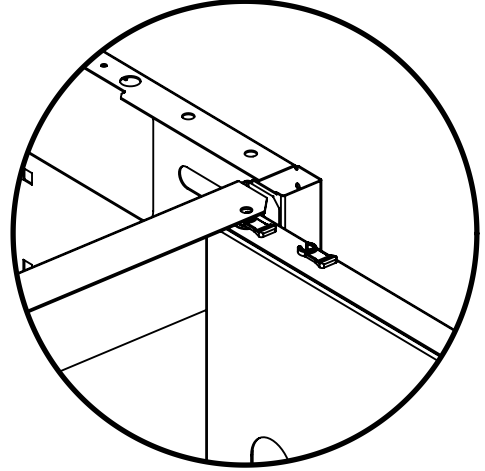
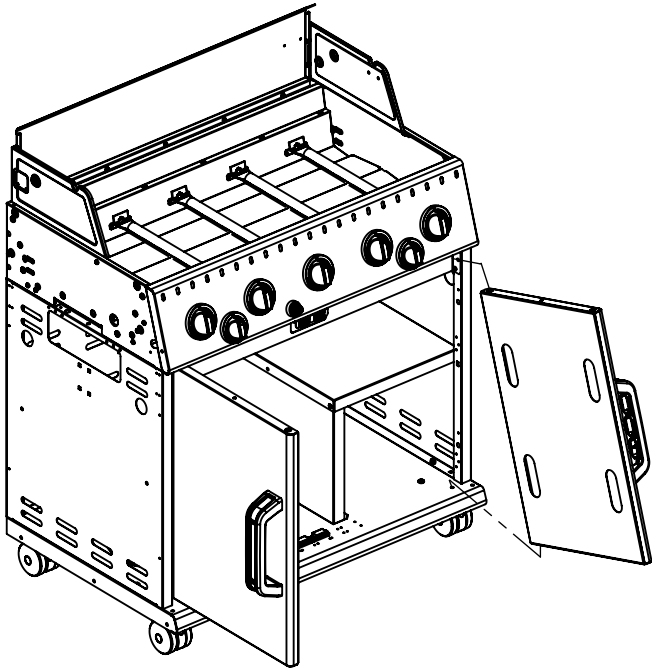


9

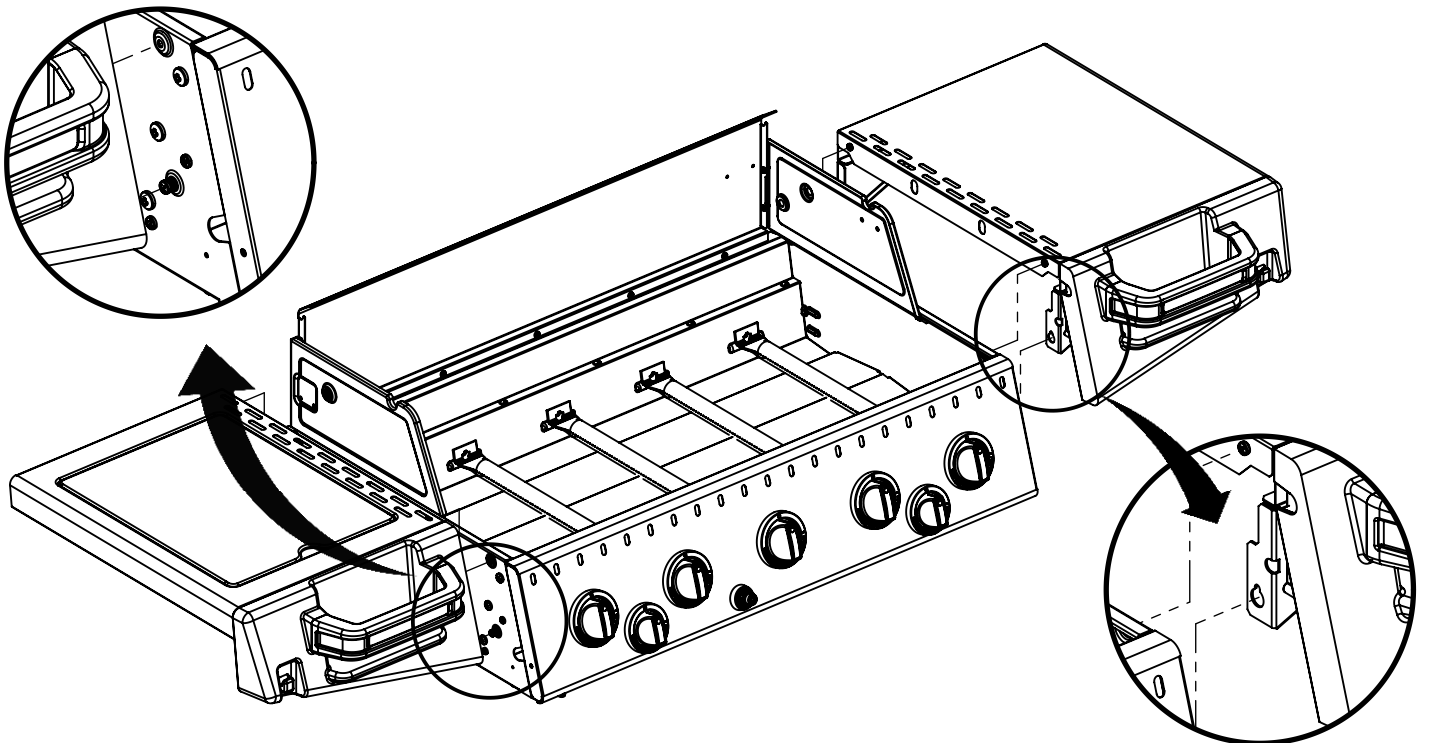


10

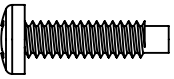
(2) 

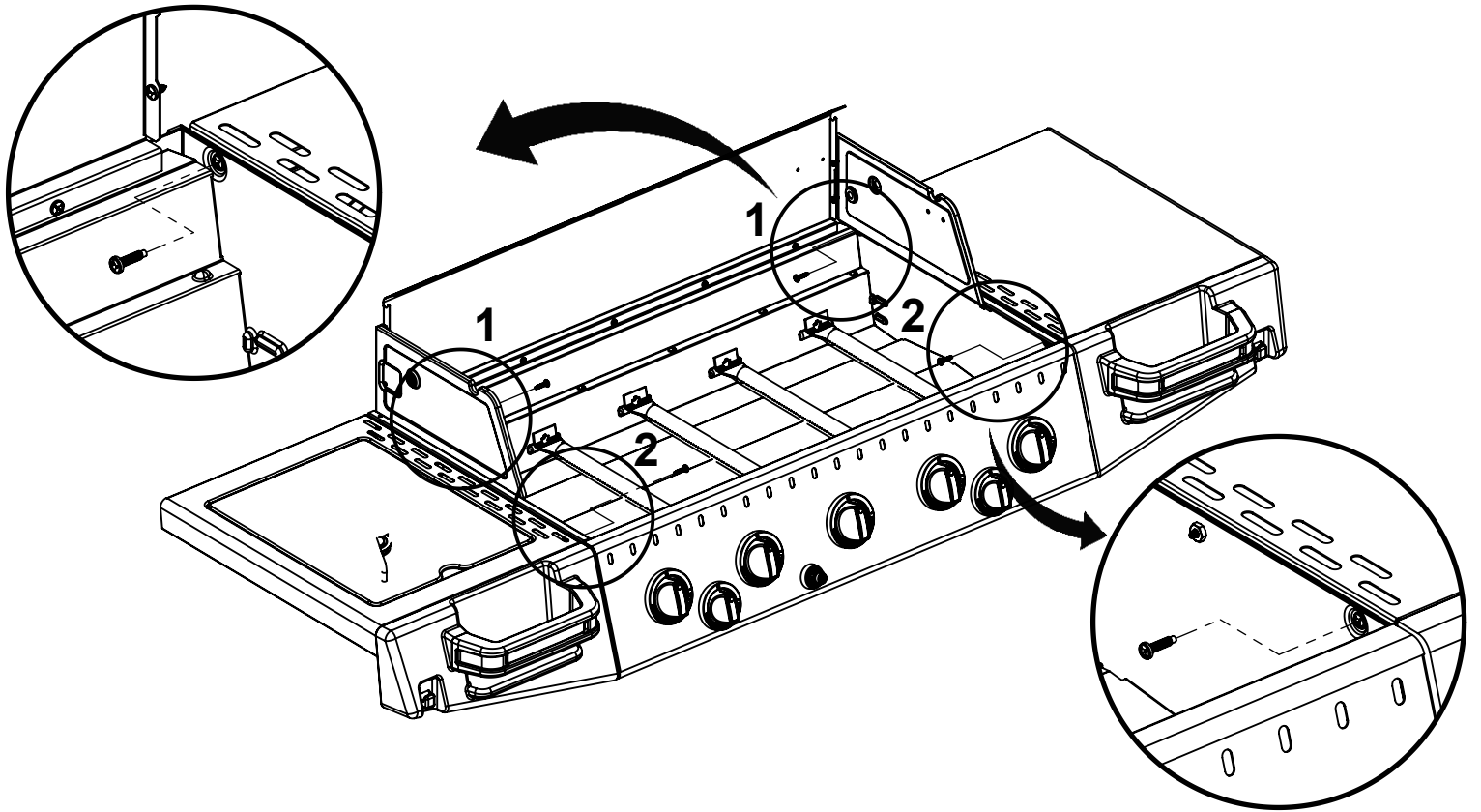


11

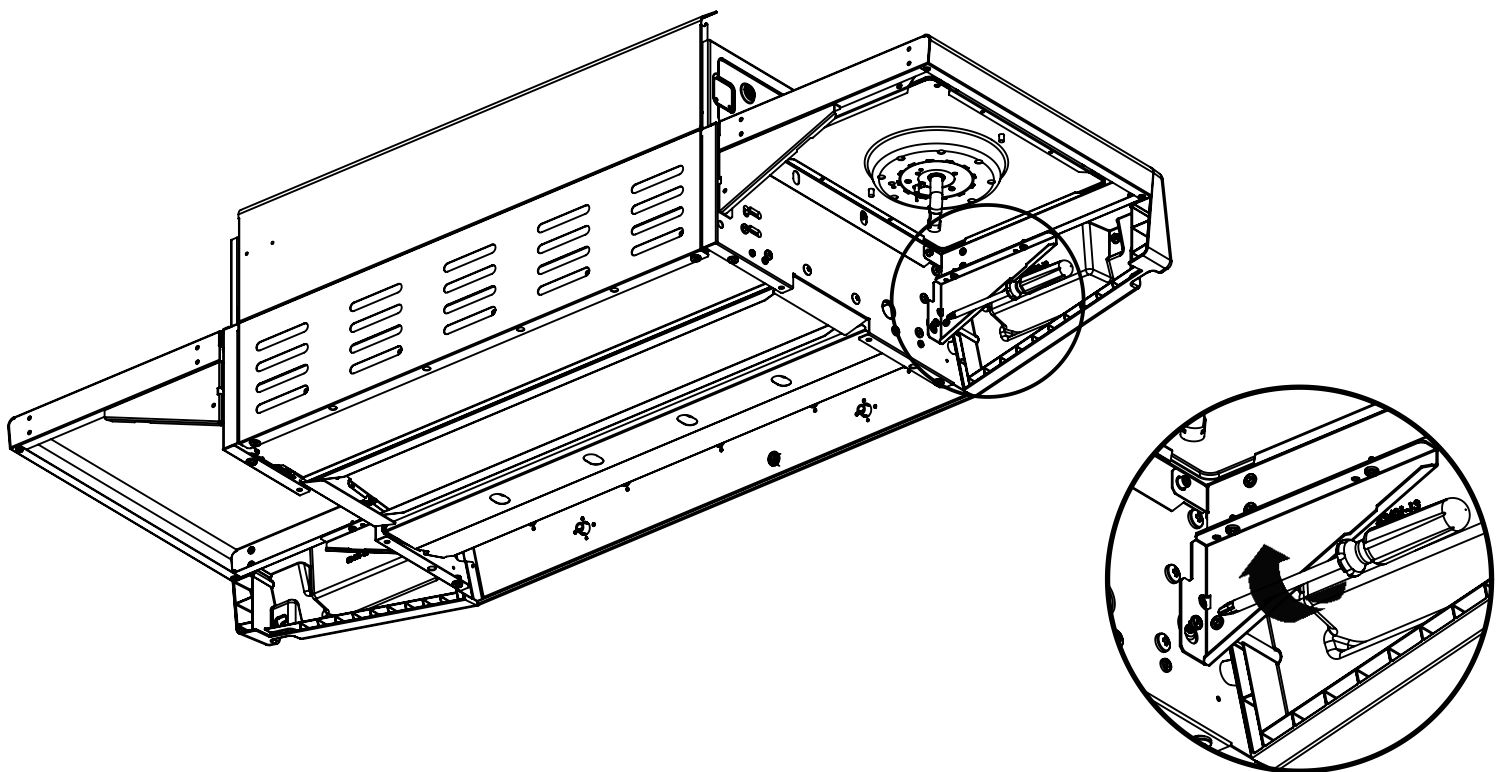


12

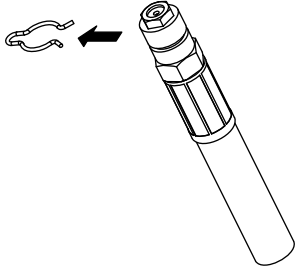
(4) 



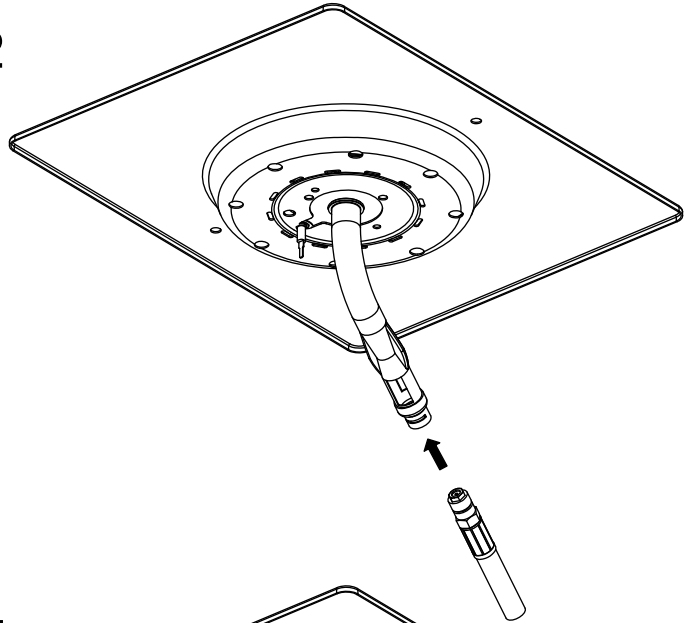
13



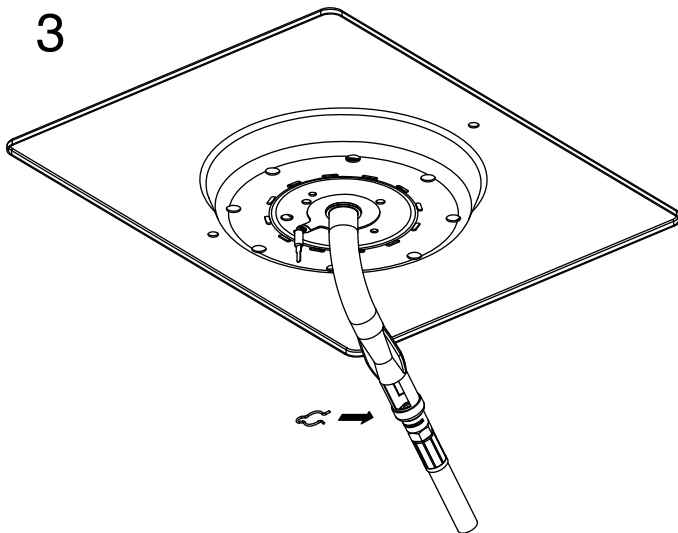
1



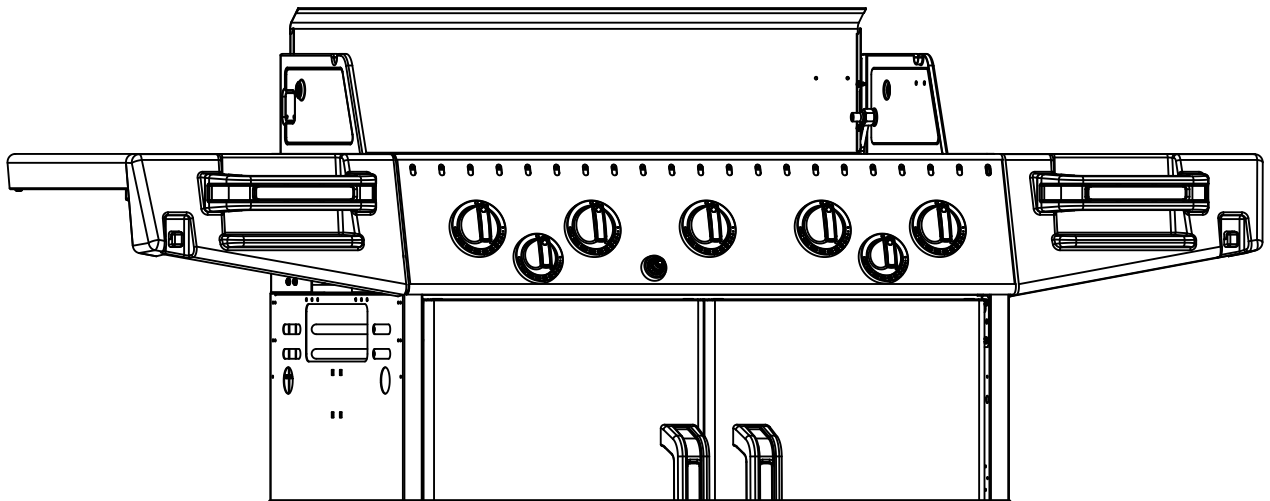
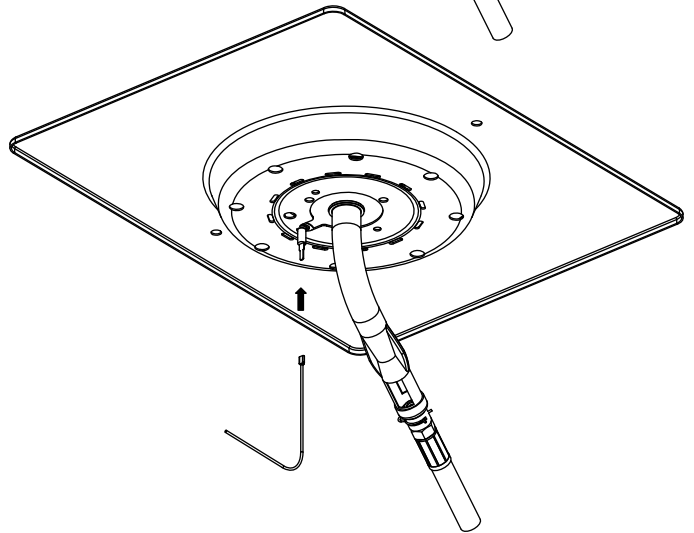
2

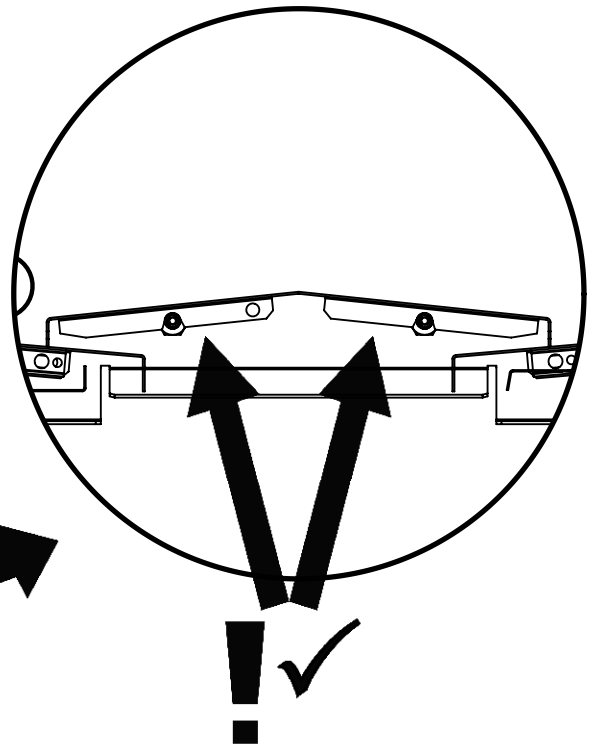
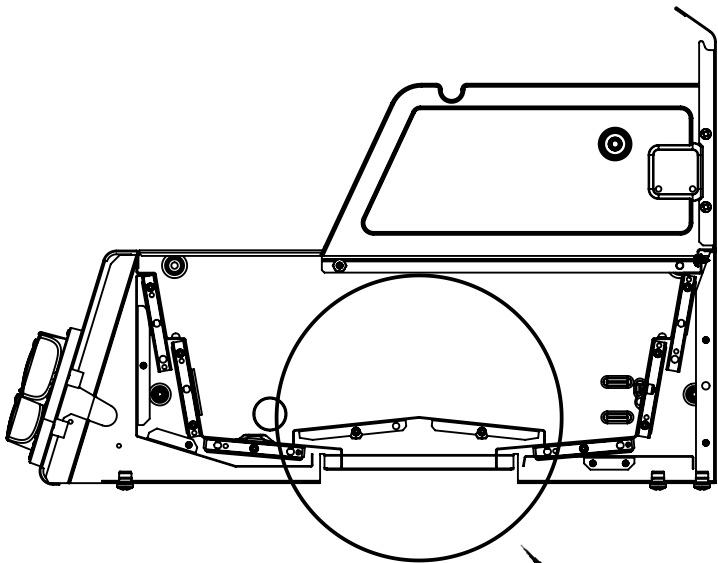
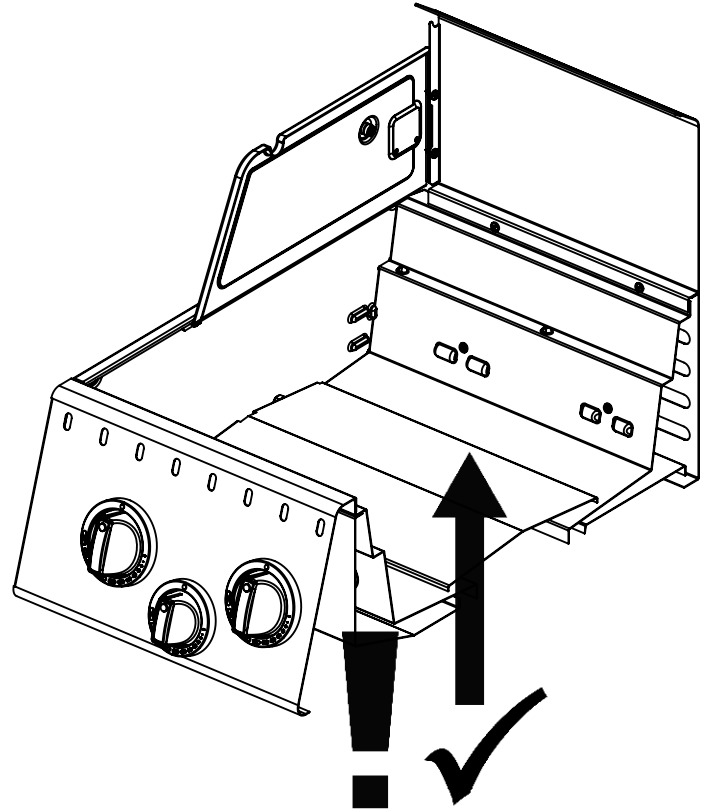
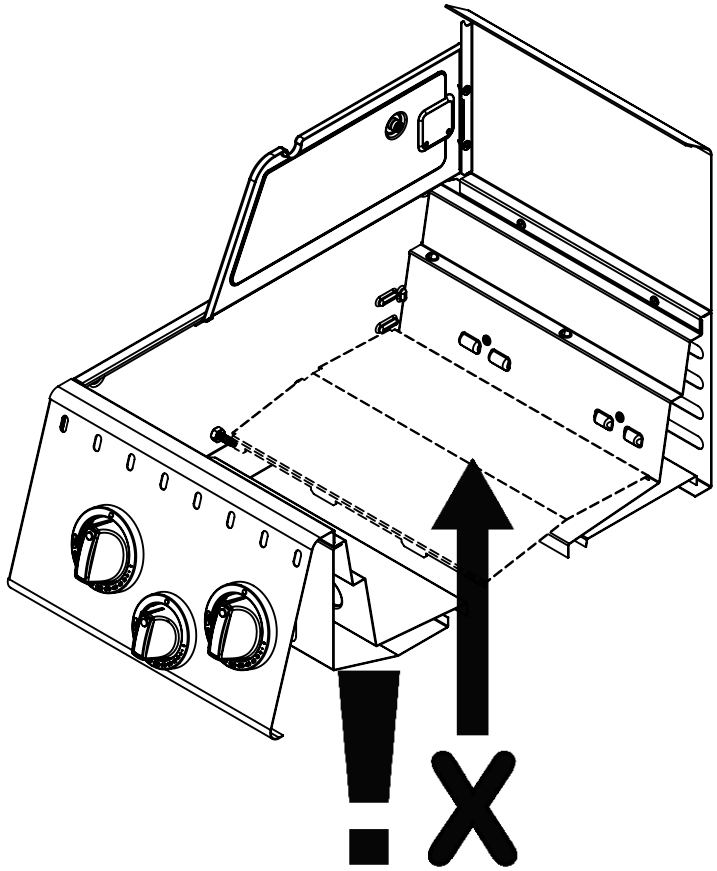


3

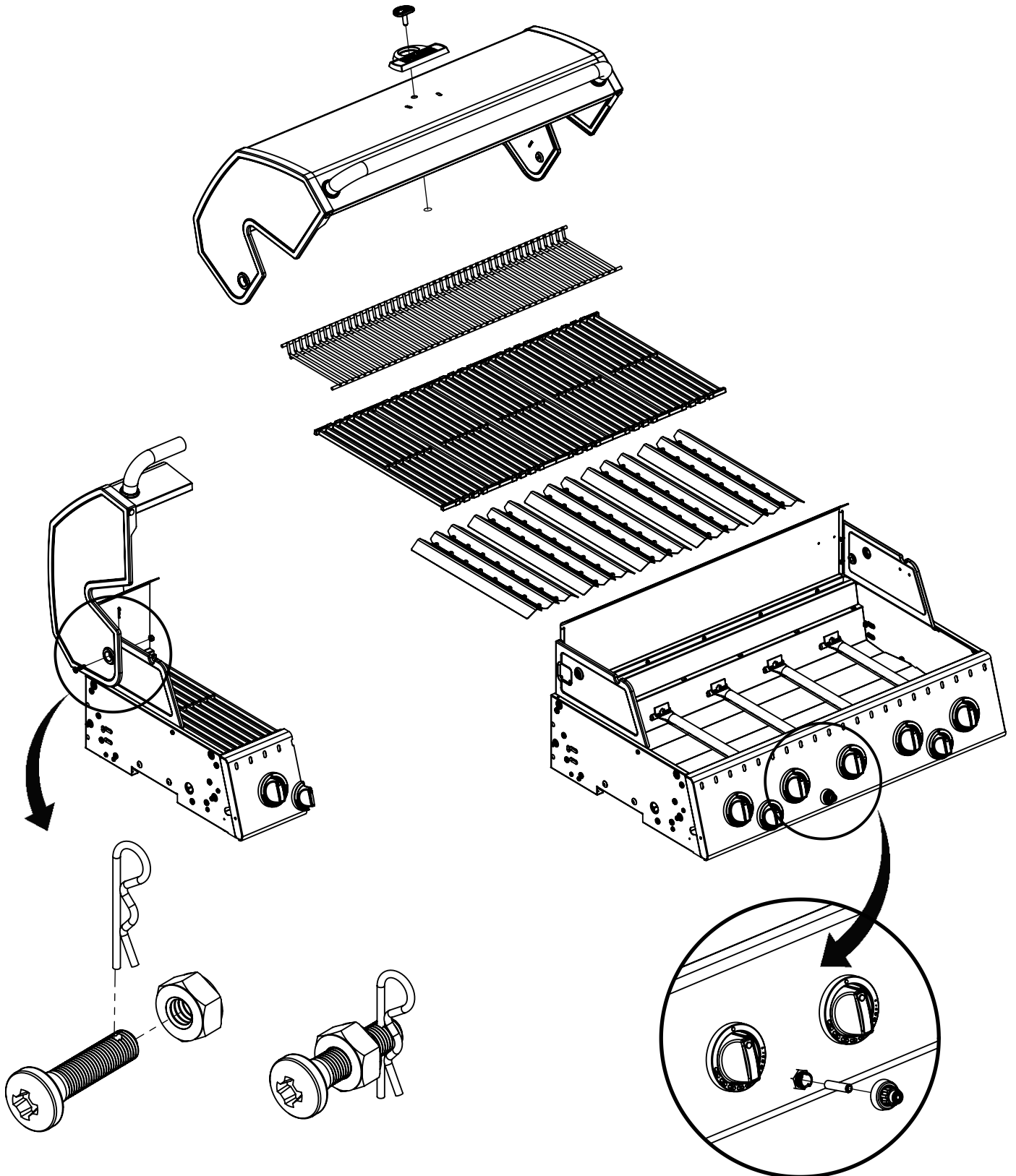
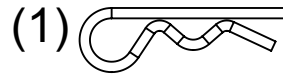
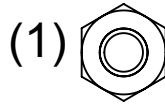
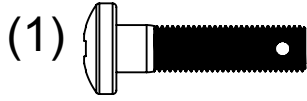


4

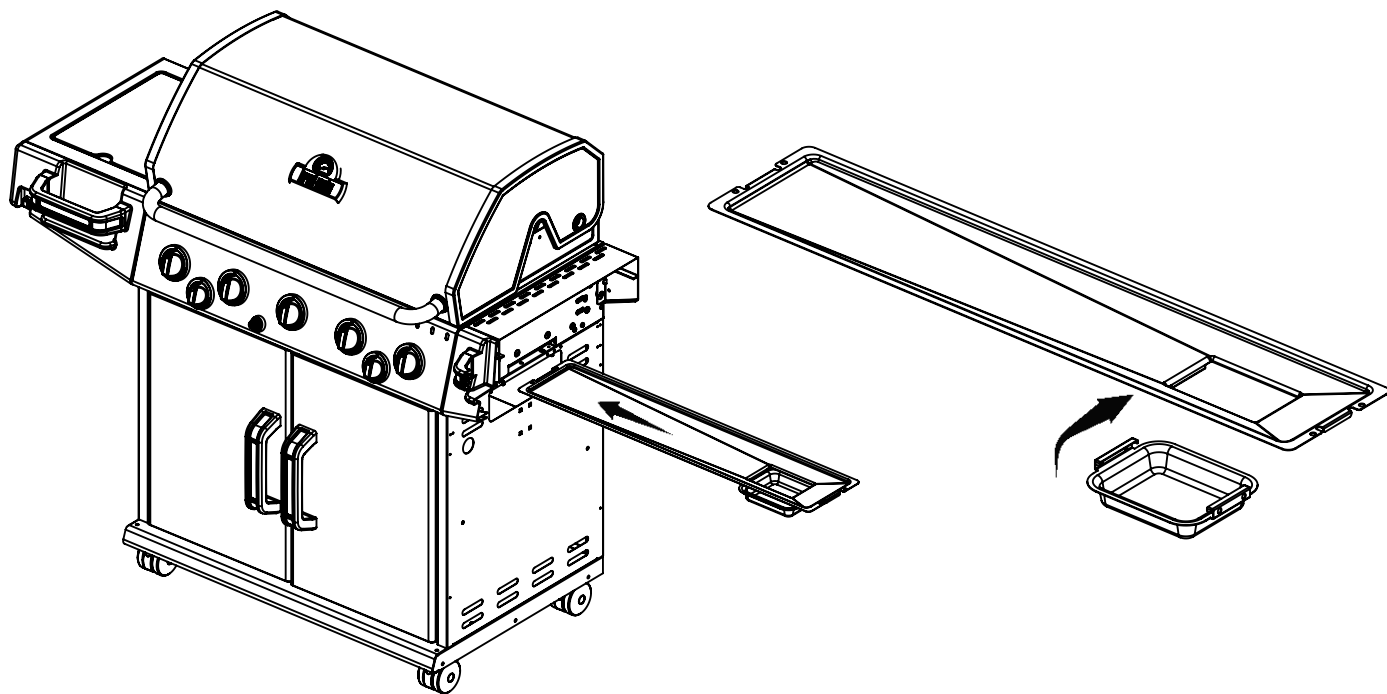




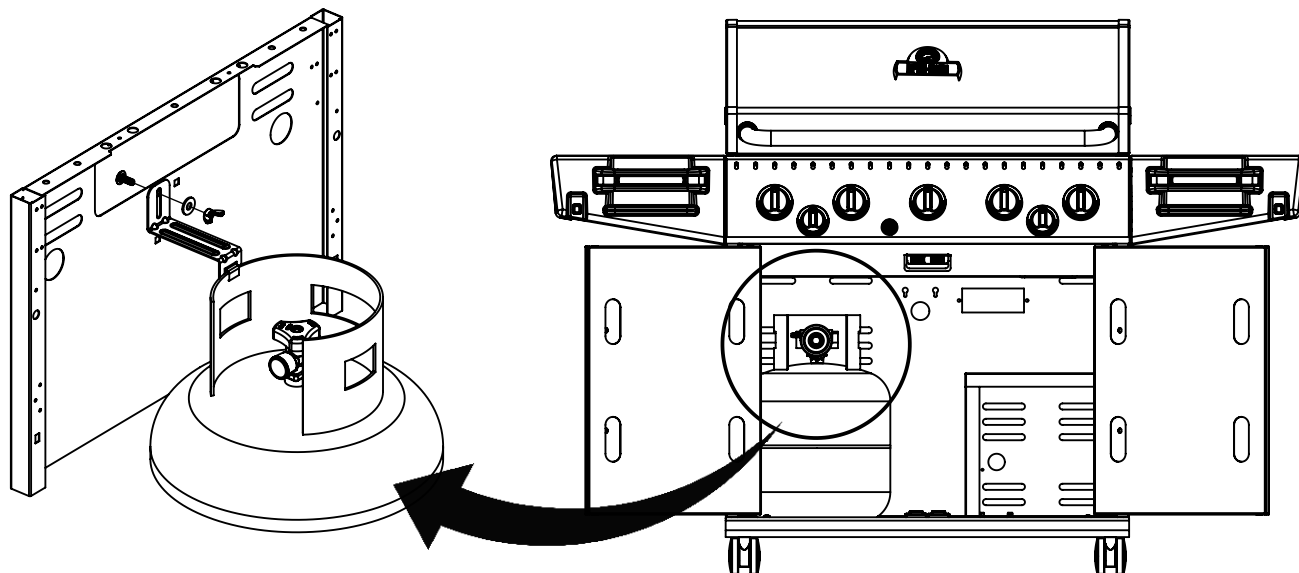
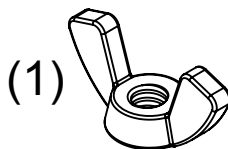
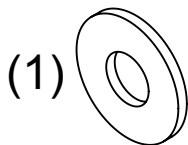
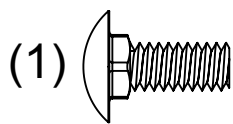
16



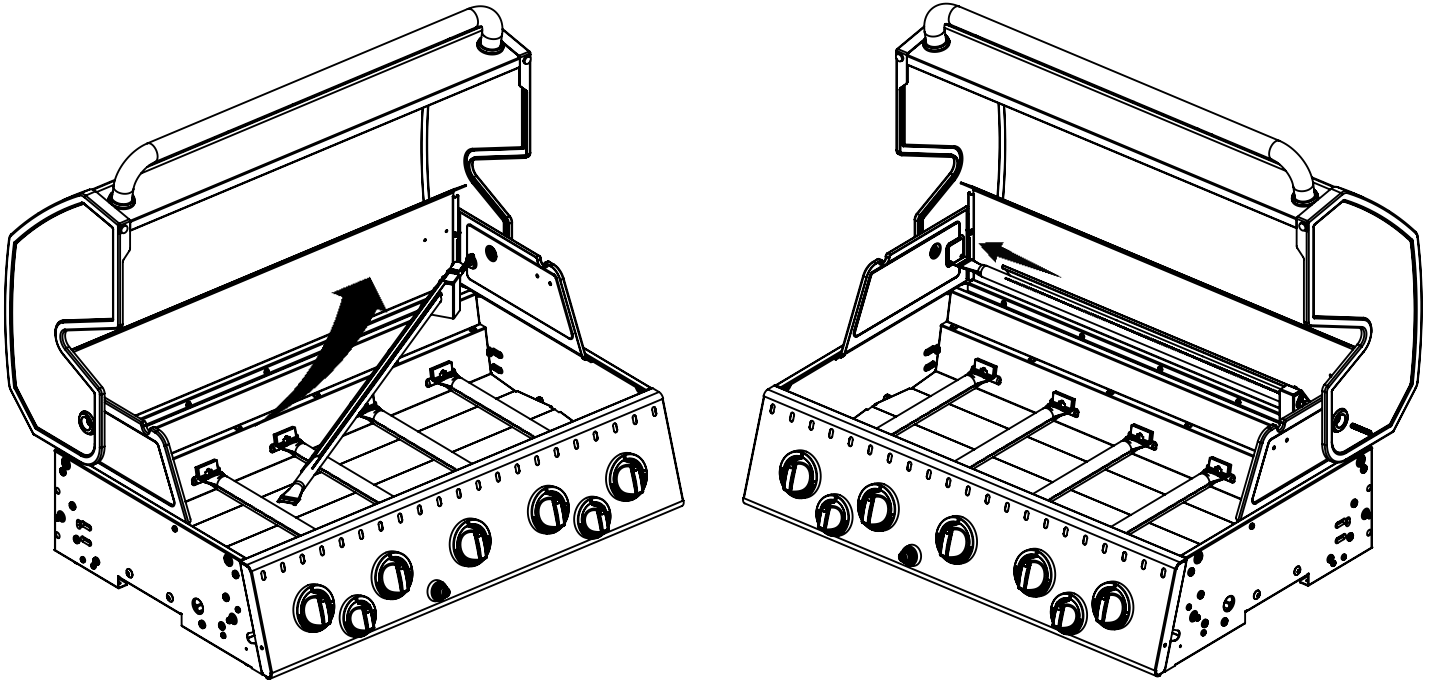
17



18



19



20

