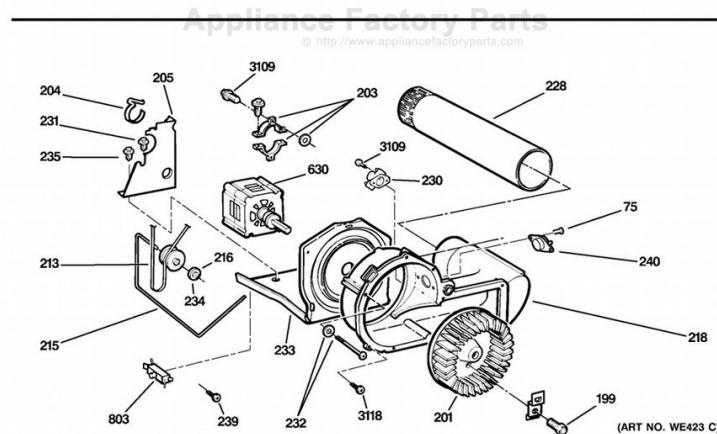
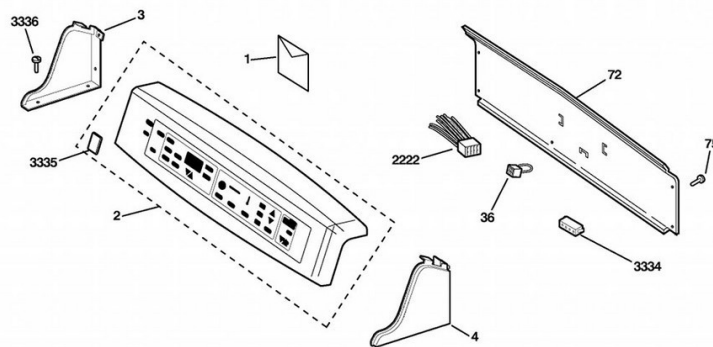


This Owner's Manual is provided and hosted by [Appliance Factory Parts](http://www.appliancefactoryparts.com).



GE DPSB513EB0WW Owner's Manual

[Shop genuine replacement parts for GE
DPSB513EB0WW](#)



[Find Your GE Dryer Parts - Select From 3387 Models](#)

----- Manual continues below -----

Installation Instructions for your new **Electric Dryer**

Before you begin - Read these instructions completely and carefully.

IMPORTANT - Save these instructions for local inspector's use.

IMPORTANT - OBSERVE ALL GOVERNING CODES AND ORDINANCES.

Note to Installer - Be sure to leave these instructions with the User.

Note to User - Keep these instructions with your Owner's Manual for future reference.

Note: Installation and service of this dryer requires basic mechanical and electrical skills. It is your responsibility to contact a qualified electrical installer to make the electrical connection.



WARNING - POTENTIAL FIRE AND SHOCK HAZARD

- Use only rigid metal or flexible metal 4" diameter ductwork for exhausting to the outdoors. Never use plastic or other combustible ductwork.
- This dryer must be properly grounded and installed as described in these instructions.
- Do not install or store this dryer in an area where it will be exposed to water/weather.
- The National Fuel Gas Code restricts installations of gas appliance in garages. They must be 18" off the ground and protected by a barrier from vehicles.

Important

- Exhausting the dryer to the outdoors is strongly recommended to prevent large amounts of moisture and lint from being blown into the room.
- Before the old dryer is removed from service or discarded, remove the door to the drying compartment
- Service information and wiring diagram are located in control console.

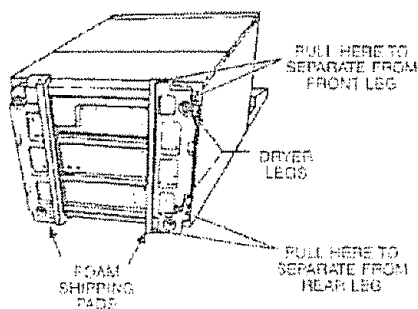
Tools and Material needed

- Slip joint pliers
- Screwdrivers (slotted or phillips head)
- One 3/4 inch UL recognized strain relief if the power supply is from a direct wire.
- One dryer power cord kit UL listed, rated 120/240V, 30A with 3 or 4 prongs if the power supply is from a wall receptacle. Identify the plug type as per the house receptacle.
- 4 inch dia. rigid metal duct, elbows and exhaust hood.
- Basic safety protection such as safety goggles, gloves and arm protection are recommended.

Installation

Step 1: Remove and save literature from dryer drum.

Step 2: Lay carton corner posts or two 2" X 4" boards on floor. Lay dryer on its back over them.



Step 3: Remove foam shipping pads by pulling at sides and breaking away from dryer legs. Be sure to remove all foam pieces around legs.

Step 4: Stand dryer upright.

Step 5: Move dryer to desired operating location.

Step 6: Adjust levelling legs to match washer height. Dryer must be level and rest firmly on all four levelling legs.

Step 7: Connect to power supply. (See ELECTRICAL CONNECTION INFORMATION section of this instruction.)

Step 8: Connect external exhaust. (See EXHAUST INFORMATION section of this instruction.)

Step 9: Check for proper operation (power supply and venting).

Step 10: Place Owner's Manual and Installation Instructions in a location where they will be accessible by the user.

Electrical Connection Information

WARNING: TO REDUCE THE RISK OF FIRE, ELECTRIC SHOCK AND PERSONAL INJURY:

- DO NOT USE AN EXTENSION WITH THIS DRYER.
- THIS DRYER MUST BE PROPERLY GROUNDED.

Dryer must be electrically grounded in accordance with local codes and ordinances, or in the absence of local codes, in accordance with the NATIONAL ELECTRICAL CODE, ANSI/NFPA NO. 70.

Electrical Requirements

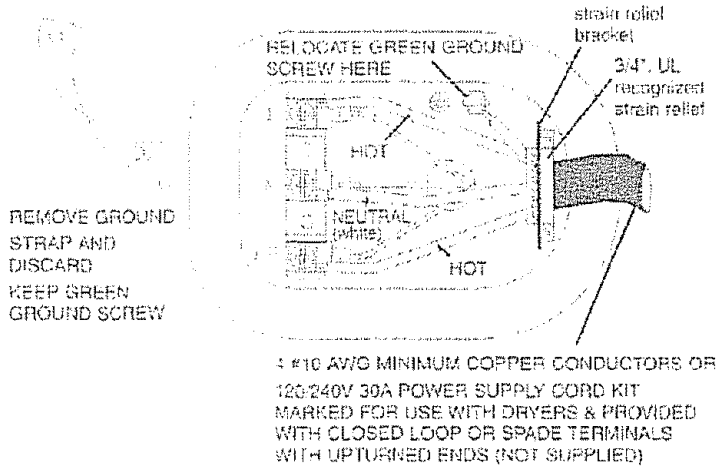
- This dryer must be connected to an individual branch circuit protected by the required time-delay fuses or circuit breakers. A four wire or three wire, single phase, 120/240 V or 120/208 V, 60 Hz, 30 amps circuit is required.
- If the electric supply does not meet the above specifications, call a licensed electrician.

Grounding Instructions

This dryer must be connected to a grounded metal, permanent wiring system, or an equipment-grounding conductor must be run with the circuit conductors and connected to the equipment-grounding terminal on the appliance.

Connecting Dryer Using 4-Wire Connection (Must Be Used For Mobile Home Installation)

NOTE: Since January 1, 1996, The National Electric Code requires that new construction (not existing) utilize a 4 wire connection to an electric dryer.



4 #10 AWG MINIMUM COPPER CONDUCTORS OR 120/240V 30A POWER SUPPLY CORD KIT MARKED FOR USE WITH DRYERS & PROVIDED WITH CLOSED LOOP OR SPADE TERMINALS WITH UPTURNED ENDS (NOT SUPPLIED)

- 1- Remove the cover near the power cord entry hole
- 2- Remove and discard ground strap. Keep the green ground screw for step 5
- 3- Install 3/4 inch, UL recognized strain relief to power cord entry hole. Bring power cord through strain relief.
- 4- Connect power cord as follows:
 - A- Two hot lines to outer screws of terminal block (marked L1 & L2).
 - B- Neutral (white) line to center screw of terminal block (marked N)
- 5- Attach ground wire of the power cord with the green ground screw (hole above strain relief bracket). Tighten all terminal block screws firmly.
- 6- Properly secure power cord to strain relief
- 7- Reinstall the cover.

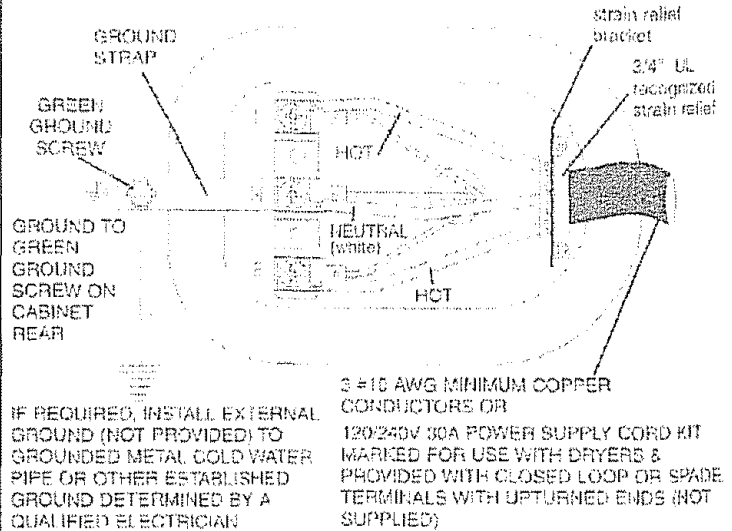
WARNING: NEVER LEAVE THE TERMINAL BLOCK WITHOUT THE COVER.

120/240V
30 Amps
Receptacle

114-2231E
4 WIRE RECEPTACLE

Connecting Dryer Using 3-Wire Connection (Do Not Use For Mobile Home Installation)

NOTE: Since January 1, 1996, The National Electric Code requires that new construction (not existing) utilize a 4 wire connection to an electric dryer.



IF REQUIRED, INSTALL EXTERNAL GROUND (NOT PROVIDED) TO GROUNDED METAL COLD WATER PIPE OR OTHER ESTABLISHED GROUND DETERMINED BY A QUALIFIED ELECTRICIAN

3 #10 AWG MINIMUM COPPER CONDUCTORS OR 120/240V 30A POWER SUPPLY CORD KIT MARKED FOR USE WITH DRYERS & PROVIDED WITH CLOSED LOOP OR SPADE TERMINALS WITH UPTURNED ENDS (NOT SUPPLIED)

- 1- Remove the cover near the power cord entry hole
- 2- Install 3/4 inch, UL recognized strain relief to power cord entry hole. Bring power cord through strain relief.
- 3- Connect power cord as follows:
 - A- Two hot lines to outer screws of terminal block (marked L1 & L2).
 - B- Neutral (white) line to center screw of terminal block (marked N)
- 4- Be sure ground strap is connected to neutral (center) terminal of block and to green ground screw on cabinet rear. Tighten all terminal block screws firmly
- 5- Properly secure power supply cable to strain relief
- 6- Reinstall the cover.

WARNING: NEVER LEAVE THE TERMINAL BLOCK WITHOUT THE COVER.

120/240V
30 Amps
Receptacle

114-2231E
4 WIRE RECEPTACLE

Exhaust Information

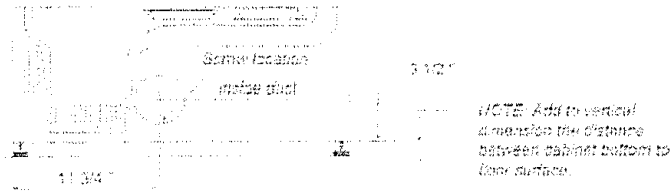


WARNING: TO REDUCE THE RISK OF FIRE AND PERSONAL INJURY:

- Use only metal duct for exhausting dryer to outdoors.
- Do not terminate exhaust in a chimney, any gas vent, under an enclosed floor (crawl space), or into an attic. The accumulated lint could create a fire hazard.
- Provide an access for inspection and cleaning of the exhaust system, especially at turns. Inspect and clean at least once per year.
- Never terminate the exhaust into a common duct with a kitchen exhaust. A combination of lint and grease could create fire hazard.
- Do not obstruct incoming or exhausted air.

Rear Exhaust Location

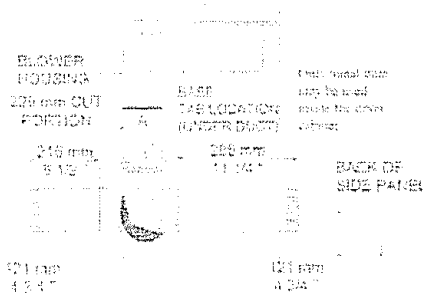
This dryer comes ready for rear exhausting. If space is limited, use the following instructions to exhaust directly from the side or bottom of the cabinet.



Steps to change Dryer to Side or Bottom Exhaust Directly on Cabinet

WARNING: Protect your hands and arms from sharp edges when working inside dryer cabinet

- 1- Detach and remove the desired knockout.
- 2- Remove the screw inside the dryer exhaust duct end. Keep the screw for step 5. Pull on the duct to remove it.
- 3- Cut the duct as shown. Keep portion A.
- 4- Through the rear opening, locate the tab in the middle of the dryer base. Lift the tab to about 45° using a flat screwdriver.
- 5- Reconnect and secure the cut portion (A) of the duct to the blower housing. Make sure that the fixing hole is aligned with the tab in the base. Use the screw of item 2 to secure the duct in place through the tab on the dryer base.



- 6- Use standard metal elbows and duct to complete exhaust system. Insert standard elbow and ducts through rear and side or bottom openings.
- 7- Cover the opening at the back with the plate (Ea WEIM454) available from your Local Service Provider.

WARNING: NEVER LEAVE THE BACK OPENING WITHOUT THE PLATE.

Exhaust Length

The MAXIMUM ALLOWABLE length of the exhaust system depends upon the type of duct, number of turns, the type of exhaust hood (wall cap), and all conditions noted below. The maximum allowable length for both rigid and flexible metal duct is shown in the table below. More than two 90° turns are not recommended.

FOR
ELECTRIC
DRYER
ONLY

No. of 90° elbows	RECOMMENDED MAXIMUM LENGTH			
	Exhaust Hood Type			
	Recommended		Use only for short run installations	
	Rigid	Flexible Metal	Rigid	Flexible Metal
0	90 Feet	55 Feet	60 Feet	45 Feet
1	60 Feet	40 Feet	45 Feet	30 Feet
2	45 Feet	30 Feet	35 Feet	20 Feet
3	35 Feet	20 Feet	25 Feet	15 Feet
4	25 Feet	15 Feet	15 Feet	10 Feet

* Do not use non-metallic flexible duct.

Hood or Wall Cap

- Terminate in manner to prevent back drafts or entry of birds or other wildlife.
- Termination should present minimum resistance to the exhaust airflow and should require little or no maintenance to prevent clogging.
- Never install screen over the exhaust duct.
- Wall caps must be installed at least 12" above ground level or any obstruction with the opening pointed down.
- If roof vents or louvered plenums are used, they must be equivalent to a 4" dampened wall cap in regards to resistance to airflow, prevention of back drafts and maintenance required to prevent clogging.

Separation of Turns

For best performance, separate all turns by at least 4 ft. of straight duct, including distance between last turn and dampened wall cap.

Turns Other Than 90°

- One turn of 45° or less may be ignored.
- Two 45° turns should be treated as one 90°.
- Each turn over 45° should be treated as one 90°.

Sealing of Joints

- All joints should be tight to avoid leaks. The male of each section of duct must point away from the dryer.
- Do not assemble the ductwork with fasteners that extend into the duct. They will serve as collection point for lint.
- Duct joints can be made air and moisture-tight by wrapping the overlapped joints with duct tape.

Exhaust Information (cont.)

Insulation

- Ductwork which runs through an unheated area or is near an air conditioning duct should be insulated to reduce condensation and lint built up.

Parts Available from Local Service Organization

- **Rigid Metal Duct Components**
 - 4" X 1' Duct
 - 4" X 2' Duct
 - 4" Elbow
 - 4" Exhaust hood (wall cap)
- **Flexible Metal Duct Components**
 - Kit WX8X66 7' Aluminum Duct, 4" hood and two clamps.
 - 7' Aluminum Flexible Duct
 - 4" Clamps (2)
 - 4" Exhaust hood (wall cap)
 - UL-Listed Cloth Dryer Transition Duct

Inside Exhausting

NOTE: MOBILE HOME, BEDROOM, BATHROOM, ALCOVE OR CLOSET INSTALLATIONS MUST BE EXHAUSTED TO THE OUTDOORS.

OTHER INSTALLATION: If the installation makes it impossible to exhaust to the outdoors, a 4" exhaust deflector (WE25X28) must be installed. A clearance of 8" is required between rear of the dryer and the wall, and deflector should be pointing up.

NOTE: EXHAUSTING TO THE OUTDOORS IS STRONGLY RECOMMENDED. EXHAUSTING INDOORS MAY CAUSE LINT ACCUMULATION, AND MOISTURE DAMAGE INCLUDING MOLD AND MILDEW.

Special Installation Requirements

Alcove or Closet Installation

- If your dryer is approved for installation in a closet it will be stated on a label on the dryer.
- The dryer must be exhausted to the outdoors.
- Minimum clearances between dryer cabinet walls or other combustible surfaces are:
 - 0" clearance either side
 - 3" front and rear
- Minimum vertical space from floor to overhead ceilings, etc. is 52"
- Closet doors must be louvered or otherwise must contain at least 60 sq. in. of open area distributed. If this closet contains both a window and doors must contain 120 sq. in. of open area distributed.

Mobile or Manufactured Home Installation

- Installation must conform to the MANUFACTURED HOME CONSTRUCTION & SAFETY STANDARD TITLE 24 CFR, PART 32-80.
- The dryer must be exhausted to the outdoors termination securely fastened to the mobile home. (See EXHAUST INFORMATION section.)
- The exhaust MUST NOT be terminated back into the home.
- The exhaust duct material MUST BE METAL.
- For Electrical Connections see "CONNECTING USING 4-WIRE CONNECTIONS".

SERVICING:

For replacement parts and other information, refer to Owner's Manual servicing phone number.

Consideration must be given to provide adequate clearances for safe operation and servicing.



CAUTION:

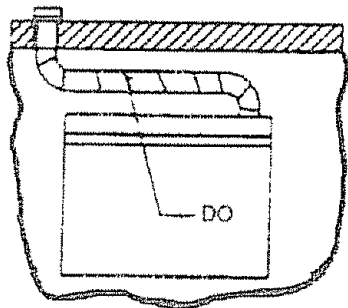
Label all wires prior to disconnection when servicing controls. Improper connection can cause improper and dangerous operation. Verify proper operation after servicing/installation.

Additional Installation Instructions

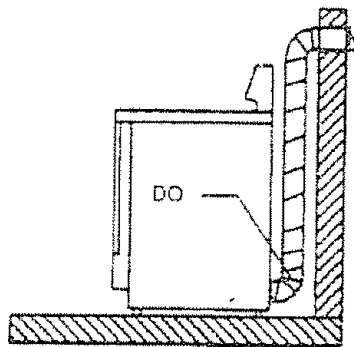
If all rigid metal duct cannot be used, then flexible all metal venting can be used, but it will reduce the maximum recommended duct length. In special installations when it is impossible to make a connection with the above recommendations, then UL listed **clothes dryer transition duct** may be used as transition venting between the dryer and wall connection only. The use of this ducting will affect dry time.

If **flexible** transition duct is necessary, only UL listed duct identified for use with clothes dryer is approved. The following directions **must be followed**

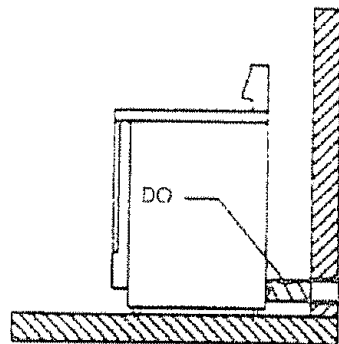
- Use the Shortest Length Possible
- Stretch the duct to its Maximum Length.
- Do Not Crush or Collapse
- Never Use Transition Duct Inside the Wall, or Inside the Dryer
- Avoid Resting the Duct on Sharp Objects
- Venting Must Conform to Local Building Codes.



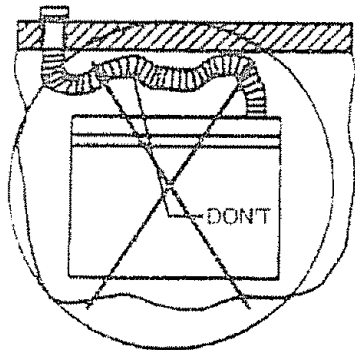
CORRECT



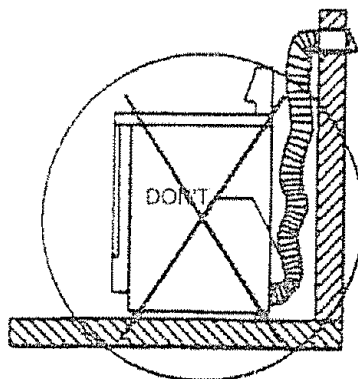
CORRECT



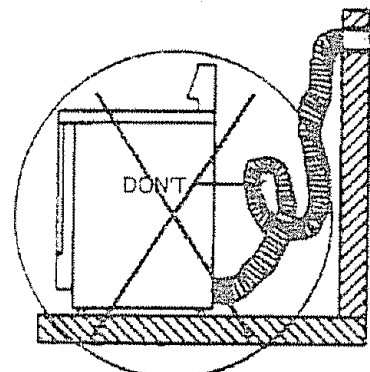
CORRECT



INCORRECT



INCORRECT



INCORRECT

NEVER USE PLASTIC OR OTHER COMBUSTIBLE DUCTWORK