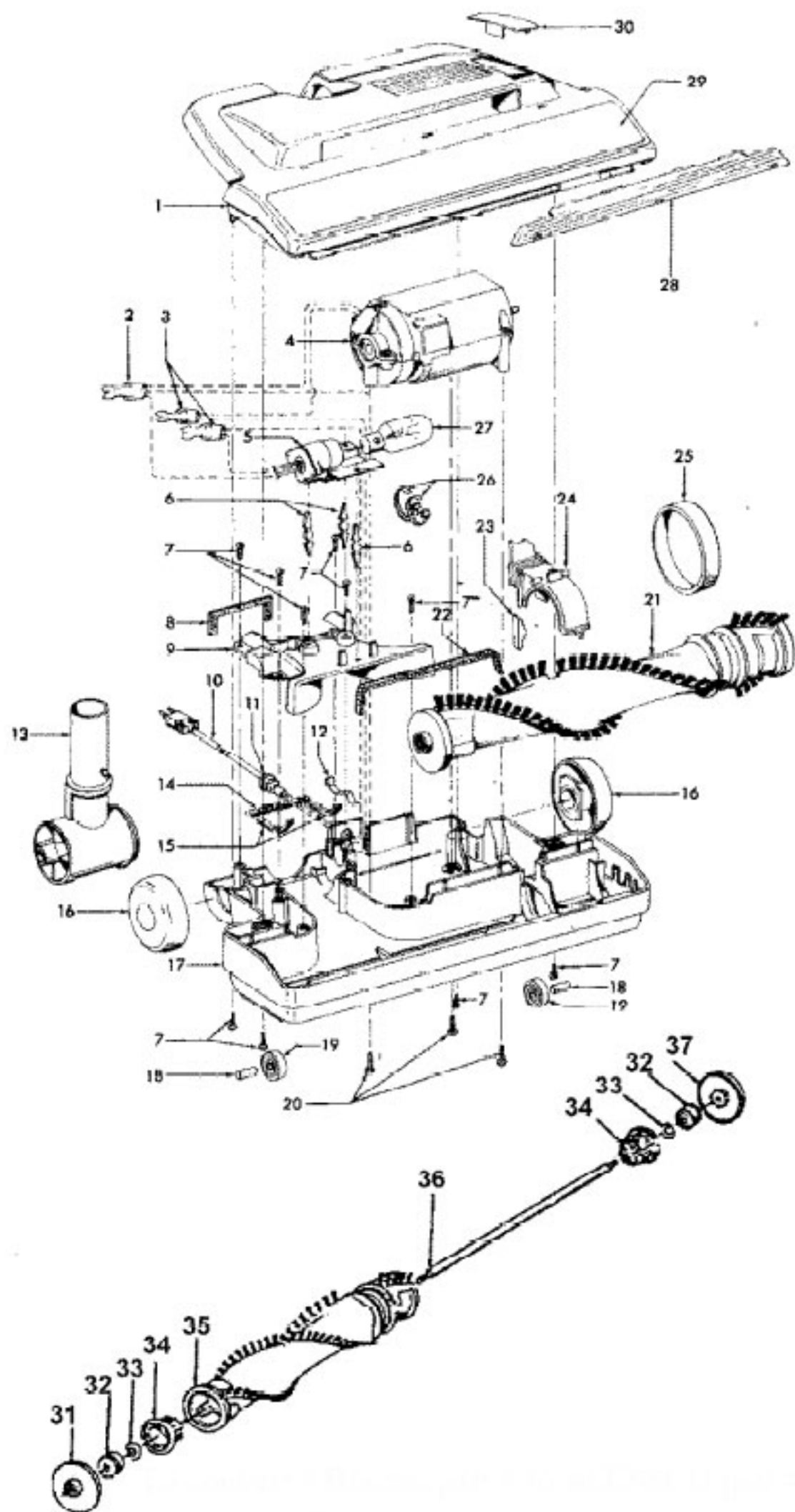


Item	Part Number	Part Description	Alt Part	Series	Qty
1	56513361	OWNER MANUAL S3612			1
	37215180	TOOL LID-AAN			1
	48438274	PWER NOZZLE-AG S3612			1
2	21447217	SCREW-SELF TAPPING			7
3	38314024	SPRING-FW-S3605			1
4	018972--	TERMINAL-INSULATED-U			2
5	34633003	RETAINER SEAL-RH-S35			1
6	43576116	MOTOR ASSEMBLY - SPE			1
	43576184	MOTOR ASSEMBLY	43576115		1
	43576186	MOTOR			1
7	27479307	CABLE TIE			1
8	36235083	FURNITURE GUARD-ABR-			1
	36235069	FURNITURE GUARD-AG-S			1
	42217192	BAG LID-AG S3612			1
9	012227--	TERMINALS-0513			2
10	36322031	MOTOR MOUNT			1
11	34174012	EXHAUST FILTER			1
12	38769019	EXHAUST FILTER CASSE			1
13	21378160	TOC RETAINING CLIP-S			1
	42217194	BAG LID-ADS-S3608			1
	41426156	MTR COVER-ADR-S3608			1
	48438275	PWER NOZLE-ADR-S3608			1
	42215011	MAIN BODY-ADR-S3608			1
14	28382035	THERMAL PROTECTOR-S3			1
15	42215095	MAIN BODY-ABR-S3601			1
	42215083	MAIN BODY-AAY-S3603			1
	42215094	MAIN BODY-ABY-S3610			1
	42215003	MAIN BODY-S3630/46/5			1
16	----	NOT REQUIRED PART OR SEE NOTE CORD REE			1
17	----	NOT REQUIRED PART OR SEE NOTE TORSION S			1
18	----	NOT REQUIRED PART OR SEE NOTE BRAKE LEV			1
19	----	NOT REQUIRED PART OR SEE NOTE BRAKE PAC			1
20	----	NOT REQUIRED PART OR SEE NOTE PUSH NUT			1
21	----	NOT REQUIRED PART OR SEE NOTE SPACER - E			1
22	----	NOT REQUIRED PART OR SEE NOTE RETAINER .			1
23	46383288	ATTACHMENT CORD-AG-S	90001033		1
24	36218018	FERRULE			1
25	----	NOT REQUIRED PART OR SEE NOTE CONTACT S			1
26	----	NOT REQUIRED PART OR SEE NOTE BRUSH HOI			1
27	----	NOT REQUIRED PART OR SEE NOTE SLIP RING ,			1
28	----	NOT REQUIRED PART OR SEE NOTE SLIP RING ,			1
29	----	NOT REQUIRED PART OR SEE NOTE SPOOL & S			1
30	38522065	WHEEL-AG-S3585			2
31	46326082	RECEPTACLE ASSEM-AG-			1
32	41432040	WHEEL CARRIER-AG-S32			1
33	21447223	SCREW-SELF TAPPING			1
34	36218020	CORD CHANNEL COVER-A			1

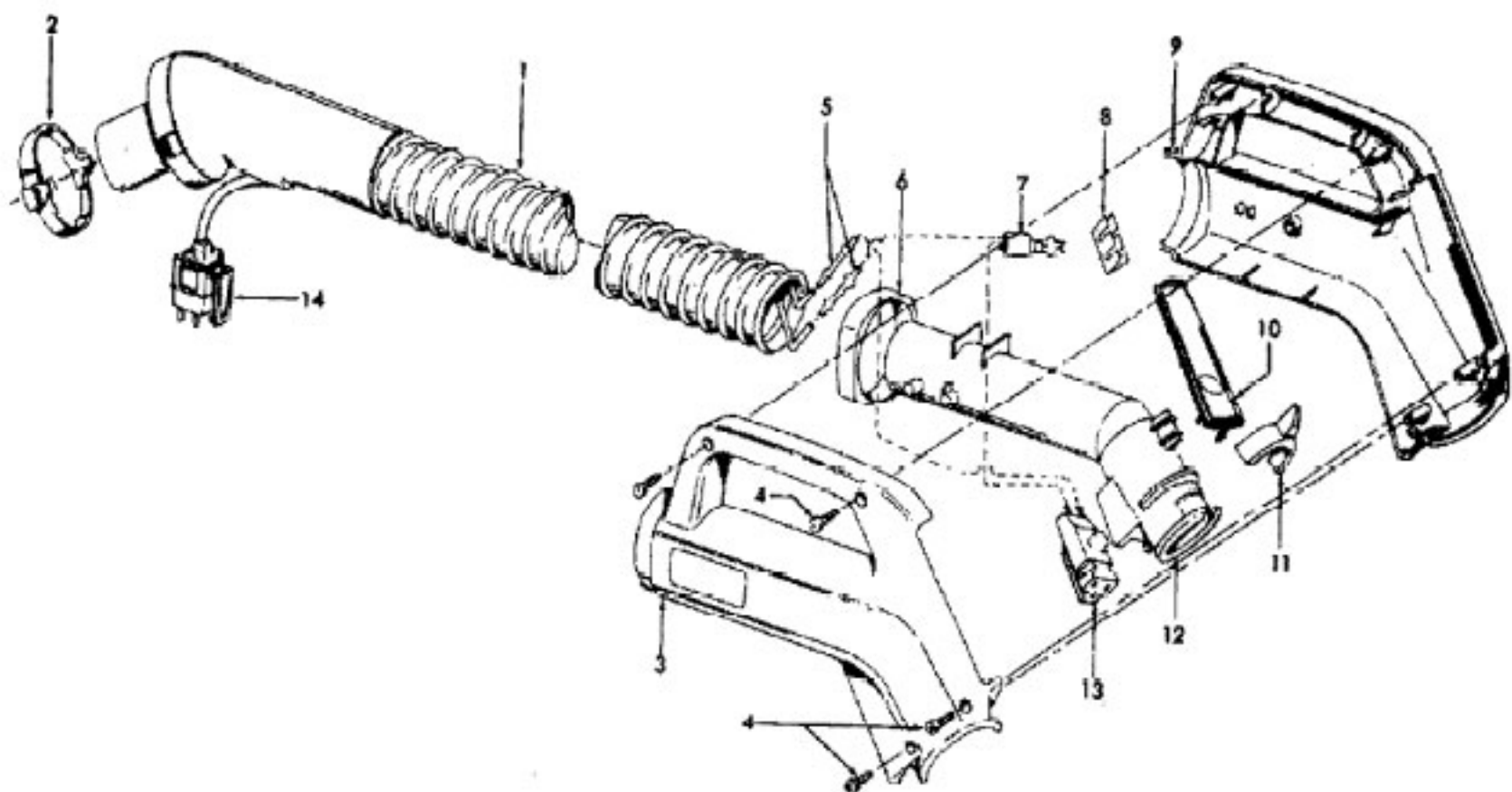
Item	Part Number	Part Description	Alt Part	Series	Qty
35	36424010	BAG COLLAR SUPPORT			1
36	4010100S	ALLER FILT BAG S			1
37	51151027	BAG INDICATOR ASSEM			1
	51151010	BAG INDICATOR			1
38	36424012	BAG COLLAR SEAL-AG			1
39	36151027	BAG LID HINGE			2
40	37944005	FILTER RETAINER			1
41	38765009	SECONDARY FILTER			1
42	21378159	SPEED CLIP-S3603,09,			2
43	42217182	BAG LID-ABR-S3601	42212135		1
	42217067	BAG LID ASSM-AAY-S36	42212135		1
	42217168	BAG LID-S3603-040-AF	42212135		1
	42217170	BAG LID-S3616-AFG	42212135		1
	42212135	BAG LID-COMMON-AGW			1
	42217187	Bag Lid-S3614			1
	42217175	BAG LID-ABY-S3610	42212135		1
44	38351009	TORSION SPRING			1
45	36153040	BAG LID LATCH-AG-S35			1
46	34633002	RETAINER SEAL-LH			1
47	34123040	RETAINER SEAL-CENTER			1
48	41312040	MOTOR RETAINER ASSEM	41312042		1
49	28218048	SWITCH-F5805/15/25	90001106		1
	28212026	SWITCH			1
50	34135014	SWITCH MOUNTING PLAT			1
51	41426130	MOTOR COVER ASSM-AG-			1
	41426132	MOTOR COVER-ABY-S361			1
	41426109	MOTOR COVER ASSEM-AA			1
	41426139	MOTOR COVER-ABR-S360			1
52	37941045	RHEOSTAT COVER-ABY-S			1
	37941041	RHEOSTAT COVER-AAY-S			1
53	38314026	SPRING-S3523			1
	38314022	CASTER SPRING - C504			1
54	23762005	PLUG - S3575			1
55	38422186	SWITCH PEDAL-ABR-S36			1
	38422184	SWITCH PEDAL W/O POS			1
	38422159	SWITCH PEDAL-AG-S358	40309042		1
56	38422155	CORD REEL PEDAL-AG-S			1
	38422171	CORD REEL PEDAL-ABR-	38422155		1
57	38458034	CORD REEL BRAKEARM-A			1
58	41911014	CORD REEL ASSEMBLY			1
59	56513333	OWNER MANUAL-S3603-0	56513345		1
	58211012	BOTTOM SUPPORT - REA			1
	56513345	OWNER MANUAL-S3620/2			1
	58211011	BOTTOM SUPPORT - FRO			1
	56513341	OWNER MANUAL-S3613	56513345		1
60	43453098	EXTENSION TUBE-AX			1
	43433110	HOSE -2W-AG			1

Item	Part Number	Part Description	Alt Part	Series	Qty
60	43453023	EXTENSION TUBE-AX-20			1
	43433116	HOSE-S3630/46	43433110		1
	38617017	CREVICE TOOL-AG -S32			1
	43414057	FURNITURE NOZZLE-AG-			1
	43414073	FLOOR BRUSH-AG-S3273			1
	43414141	FURNITURE NOZZLE-ABR			1
	43453052	EXT TUBE-20-AX			1
	43414064	DUSTING BRUSH-AG			1
	43433113	HOSE-2W-AG-S3530			1
	61	48438265	POWER NOZZLE-ABR-S36		
48438090		POWER NOZZLE-ABY-S36			1
48438064		POWERED NOZZLE-AG-S3			1
48438051		POWER NOZZLE-AAY-S36			1
48438048		POWER NOZZLE-AG-S361			1
48438266		Power Nozzle-S3614	90001381		1

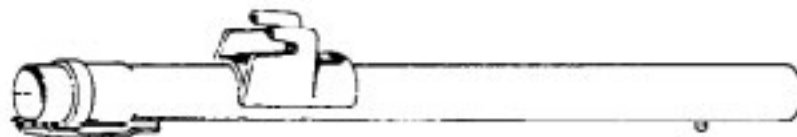
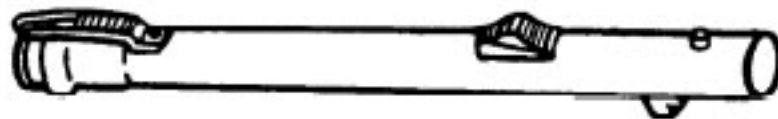
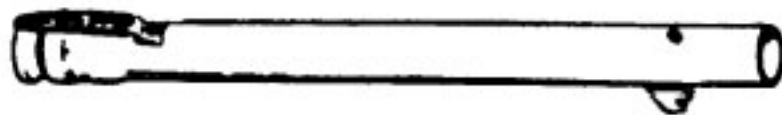
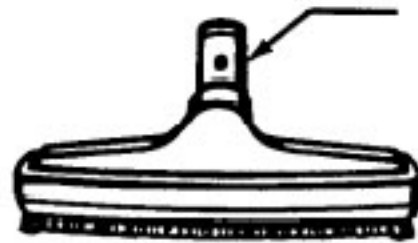


Item	Part Number	Part Description	Alt Part	Series	Qty
1	48438266	Power Nozzle-S3614	90001381		1
	48438265	POWER NOZZLE-ABR-S36			1
	48438090	POWER NOZZLE-ABY-S36			1
	48438054	POWER NOZZLE-ABM-S36	90001381		1
	42252344	NOZZLE BODY ASSM-AA Y			1
	42252345	NOZZLE BODY ASSM-ABM			1
	42252346	NOZZLE BODY ASSM-AG			1
2	018972--	TERMINAL-INSULATED-U			1
3	012227--	TERMINALS-0513			2
4	43177062	MOTOR ASSEMBLY COMPL	90001369		1
5	47171020	DIRT FINDER SOCKET			1
6	36218016	GROMMET			3
7	21447003	SCREW			10
8	34253018	REAR SEAL			1
9	42256099	DUCT COVER ASSEM.			1
10	46521021	POWER NOZZLE CORD-AG			1
	46321009	ATTACH. CORD-AG			1
11	163768--	STRAIN RELIEF - 6460			1
12	35276008	DETENT SPRING			1
13	37241168	NZLE BODY-ADR-S3608			1
	39383101	BLT LENS CV-ADR-S360			1
	43482106	ASSY., NOZZLE CONNECTOR	90001397		1
14	34112007	SEAL			1
15	34122014	SEAL			2
16	43244043	WHEEL/AXLE ASSEMBLY	90001395		2
17	42246115	BASE PLATE ASSM-AG-S	90001368		1
	42246114	BASE PLATE ASSEM-S36	90001368		1
18	31522004	WHEEL SHAFT			2
19	32761001	WHEEL			2
20	21479801	SCREW-SELF TAPPING			3
21	48414081	AGITATOR-COMPLETE-AG			1
22	34123039	DUCT COVER SEAL			1
23	13261AY-	RIB SHOE	013261AY		1
24	36923008	BELT GUARD-S3603,09,			1
25	38528011	BELT-POWER NOZZLE			1
26	27479307	CABLE TIE			1
27	27317307	DIRT FINDER LAMP			1
28	39383105	DIRT FINDER LENS			1
29	52125149	Nameplate-S3614			1
	52125135	NAMEPLATE-S3603,09,1			1
	52125141	NAMEPLATE-S3603-040			1
30	39385007	REFLECTOR-S3603,09,1			1
	48111010	BELT LENS - S3611			1
31	36423016	THREAD GUARD - RH -			1
32	43267002	AGITATOR BEARING ASM			2
33	21347003	CONICAL WASHER			2
34	36422022	AGITATOR END - U4455			2

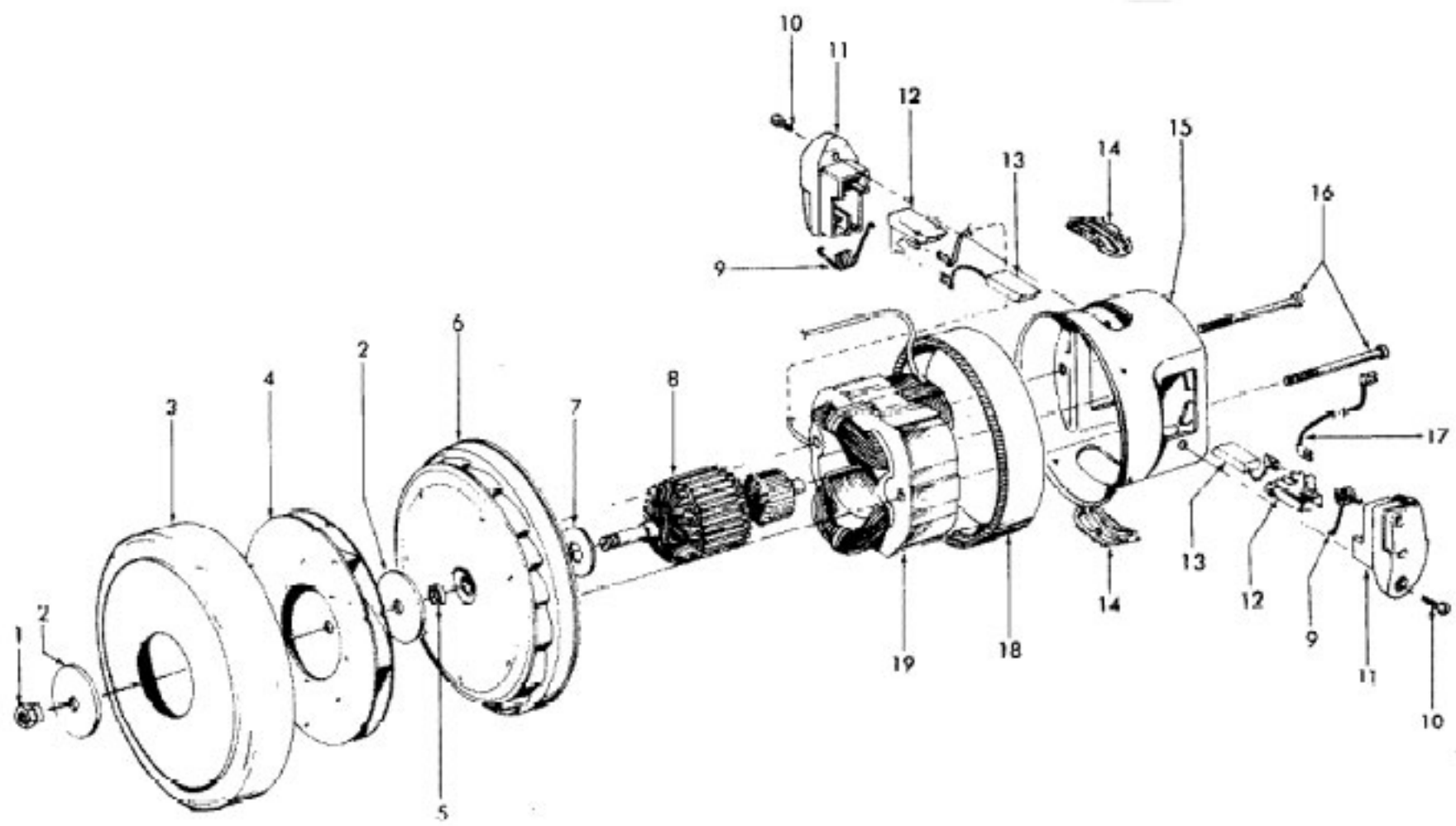
Item	Part Number	Part Description	Alt Part	Series	Qty
35	-----	NOT REQUIRED PART OR SEE NOTE			1
36	32724013	AGITATOR SHAFT - U44			1
37	36423017	THREAD GUARD - LH -			1



Item	Part Number	Part Description	Alt Part	Series	Qty
1	43433113	HOSE-2W-AG-S3530			1
2	36153038	HOSE RELEASE LATCH-A			1
3	39461018	HOSE GRIP-RH-AG			1
4	21447124	SCREW-S3279			4
5	27613002	SPLICE - CCS			2
6	36131087	RETAINING RING-ABR			1
7	018972--	TERMINAL-INSULATED-U			1
8	36913030	INSULATOR-S3603,09,1			1
9	39461017	HOSE GRIP-LH-AG-S361			1
10	51865017	NAMEPLATE-S3575			1
	47551012	GRIP CONTROL PANEL A			1
11	36153029	LATCH RING-S3279			1
12	38646081	INNER TUBE - AG			1
13	46325032	CONNECTOR-BZ-S3575			1
14	36152029	PLUG LATCH-AG-S3603-			1
	40300051	CORD REPAIR KIT-SPEC			1



Item	Part Number	Part Description	Alt Part	Series	Qty
1	38617017	CREVICE TOOL-AG -S32			1
2	43414141	FURNITURE NOZZLE-ABR			1
	43414057	FURNITURE NOZZLE-AG-			1
3	43414064	DUSTING BRUSH-AG			1
4	38644020	SWIVEL CONNECTOR - A			1
	38644040	SWIVEL CONNECTOR - A	38644020		1
5	43414073	FLOOR BRUSH-AG-S3273			1
6	48447001	BRUSH BACK -S3273-S3			1
7	36172584	CORD/WAND CLIP - AG			1
8	43453027	EXTENSION TUBE ASSEM			1
	43453052	EXT TUBE-20-AX			1
	43453058	EXT TUBE - BL - 20	43453052		1
9	43453023	EXTENSION TUBE-AX-20			1
10	43453095	EXTENSION TUBE-AX-20			1
	43453098	EXTENSION TUBE-AX			1
	43453099	EXT. TUBE-AX-20-W/CL			1
11	3863801P	EXTENSION TUBE-AG-PO			1



Item	Part Number	Part Description	Alt Part	Series	Qty
1	43576192	MOTOR-WT CANISTERS	43576190		1
	43576184	MOTOR ASSEMBLY	43576115		1
	012028--	NUT			1
2	21312774	WASHER			2
3	37196065	FAN COVER - S1311			1
4	43551008	FAN			1
5	31148009	SPACER -C2075			1
	31148011	BEARING SPACER			1
6	43551029	DIFFUSER ASSEMBLY CO			1
7	31165003	BEARING RETAINER PLA			1
8	44765241	ARMATURE-S3630/46/55			1
	44765138	ARMATURE ASSEM COMP-			1
9	38353004	SPRING U3101/3 U4201			2
10	21429406	SCREW S3057-59-61			2
11	167696AG	BRUSH HOUSING-ONLY-S			2
12	47318008	BRUSH CARRIER ASSM-U			1
13	167681--	CARBON BRUSH & TERM-			2
	47315011	MOTOR BRUSH-S3630/46			2
14	169702BZ	WIRE PROTECT BUSHING			2
15	42193025	MOTOR HOUSING ASSM-S			1
16	21447222	FIELD LAMINATION BOL			2
	21479573	SCREW			2
	36112006	FIELD LAMINATION BOL			2
17	46176001	LEAD WIRE ASSEMBLY -			1
18	36322031	MOTOR MOUNT			1
19	45311051	FIELD COIL-S3205-022			1