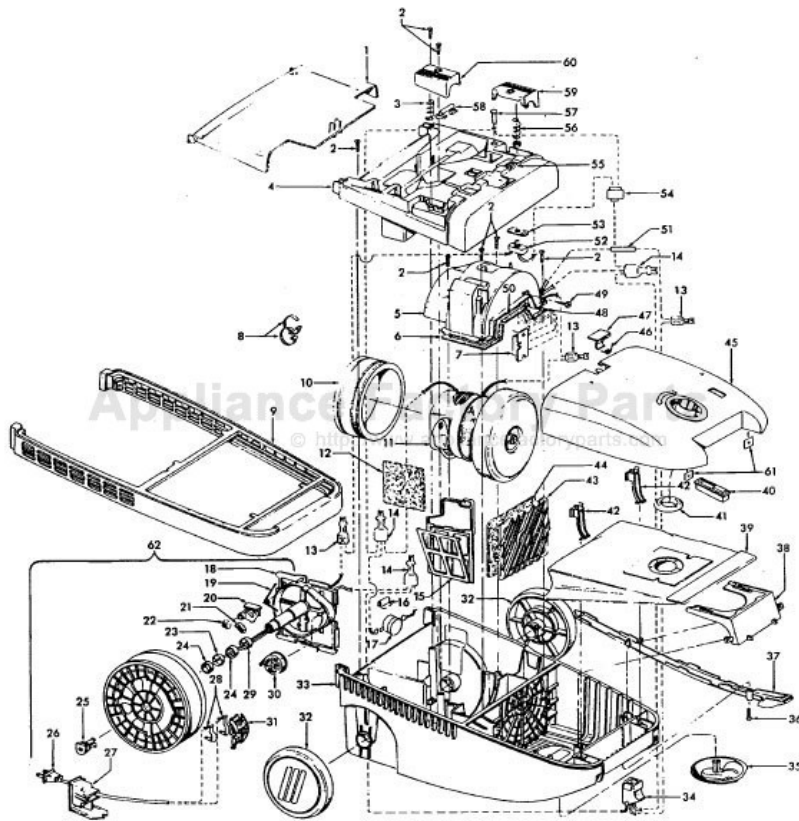


This Owner's Manual is provided and hosted by [Appliance Factory Parts](http://ApplianceFactoryParts.com).



HOOVER S3620 Owner's Manual

[Shop genuine replacement parts for HOOVER S3620](#)

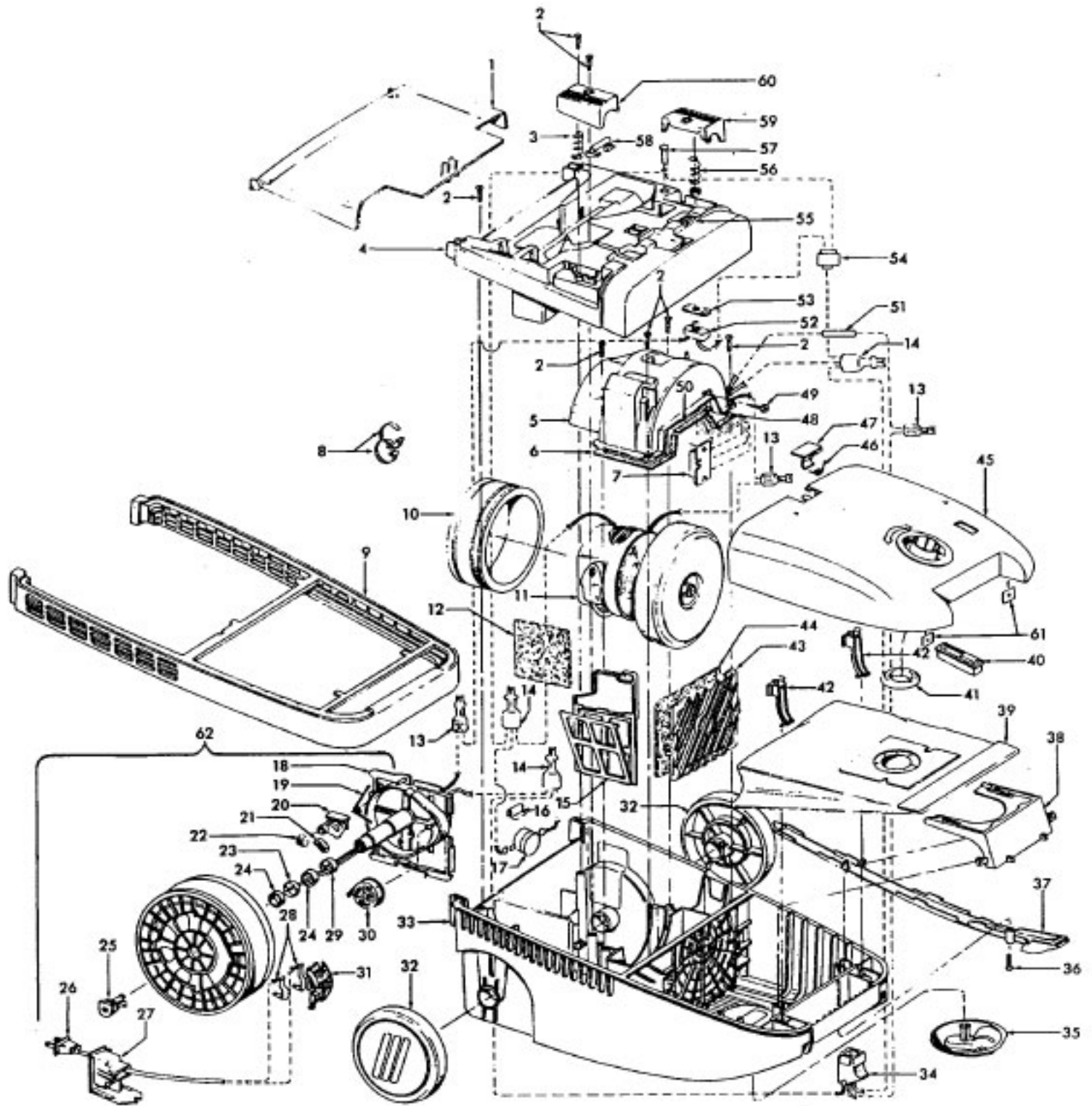


[Find Your HOOVER Vacuum Cleaner Parts - Select From 1456 Models](#)

----- Manual continues below part list -----

Available Replacement Parts for HOOVER S3620

| | |
|----------------------------|--------------------------------|
| HR-1489 | HOOVER MICRO FILTER BAG 3 PACK |
| 48414036 | HOOVER ELITE BRUSH ROLLER |
| H-43267002 | AGITATOR BEARING ASM |
| H-34174012 | FILTER, EXHAUST, 1PK |
| H-43414073 | Floor brush. |
| H-43414064 | DUSTING BRUSH (ONE PEICE) |
| H-38765009 | SECONDARY FILTER |
| HR-5000 | EXTENSION TUBE |
| HR-1050 | BELT FOR HOOVER |



PowerMAX

| Ref. No. | Part No. | Description |
|----------|----------|--|
| 1 | 37215180 | Tool Lid - AAN |
| 2 | 21447217 | Screw (7) |
| 3 | 38314024 | Spring - FW |
| 4 | 41426130 | Motor Cover - AG (Incl. Items 3,58,60) |
| | 41426107 | Motor Cover - ABM - S3611 (incl. Items 3, 58, 60) |
| | 41426134 | Motor Cover - ABM - S3620 (Inc. items 3, 58, 60) |
| 5 | 41312048 | Motor Retainer Assem. (Incl. Items 6,7,48,49,50,51) |
| 6 | 34633003 | Retainer Seal - RH |
| 7 | | Included w/Item 5 |
| 8 | 27479307 | Lead Wire Tie |
| 9 | 36235083 | Furniture Guard - ABR |
| | 36235069 | Furniture Guard - AG - S3620 |
| 10 | 36322031 | Motor Mount |
| 11 | 43576116 | Motor Assem. (P-235) |
| | 43576186 | Motor - S3611 |
| | 43576184 | Motor - S3620 (P-266) |
| 12 | 34174012 | Exhaust Filter |
| 13 | 12227 | Insulated Terminal (2) |
| 14 | 18972 | Insulated Terminal (2) |
| 15 | 38769019 | Exhaust Filter Cassette - AAU |
| 16 | 21378160 | Retaining Clip - S3611, S3615 |
| 17 | 28382035 | Thermal Protector - S3611, S3615 |
| 18 | N/A | Cord Reel Support - BZ |
| 19 | N/A | Torsion Spring - FW |
| 20 | N/A | Brake Lever Assem. - AAP |
| 21 | N/A | Brake Pad |
| 22 | N/A | Push Nut |
| 23 | N/A | Slip Ring Assem. - White |
| 24 | N/A | Spacer - BZ (2) |
| 25 | N/A | Retainer - AG |
| 26 | 46383288 | Attachment Cord Assem. - AG |
| 27 | 36218018 | Ferrule - AG |
| 28 | N/A | Contact Spring (2) |
| 29 | N/A | Slip Ring Assem. - Black |
| 30 | N/A | Spool & Spring Assem. |
| 31 | N/A | Brush Holder |
| 32 | 38522065 | Wheel - AG (2) |
| 33 | 42215059 | Main Body Assem. - AG (Incl. Items 9,16,17,34,36,37) |
| | 42215089 | Main Body Assem. - S3611 (Incl. Items 9, 16, 17, 34, 36, 37) |
| | 42215062 | Main Body Assem. - ABM - S3620 (Inc. items 9, 34, 37) |
| 34 | 46526015 | Receptacle Assem. - AG |
| 35 | 41432040 | Wheel Carrier Assem. - AG |
| 36 | 21434288 | Screw - Self Tapping |
| 37 | 36218020 | Cord Channel Cover - AG |
| 38 | 36424010 | Bag Collar Support - AG |
| 39 | 4010100S | Throw Away Bag Assem. - Micro Filtration |
| 40 | 51151027 | Bag Indicator Assem. Comp. - JM/CP |
| | 51151010 | Bag Indicator Assem. Comp. - S3620 |
| 41 | 36424012 | Bag Collar Seal - AG |
| 42 | 36151027 | Bag Lid Hinge (2) |
| 43 | 37944005 | Filter Retainer - AG |
| 44 | 38765009 | Secondary Filter |

Model S3611, S3615, S3620

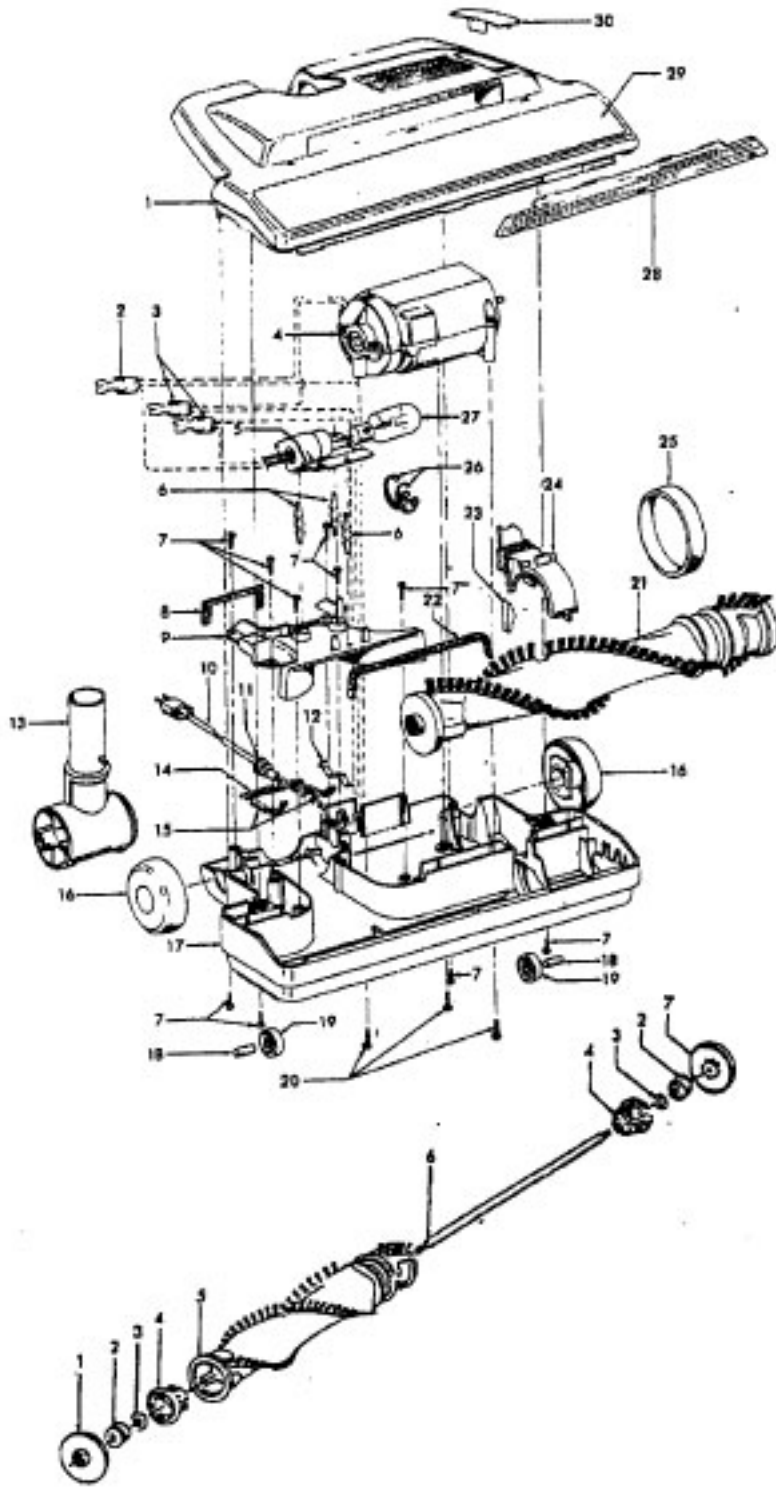
| Ref. No. | Part No. | Description |
|---------------------------------|----------|---|
| 45 | 42212135 | Bag Lid Assem. - Common - AG -(Incl. Items 40,41,46,47,61) - S3611, S3615 |
| | 42217135 | Bag Lid Assembly - ABM - S3611 (Incl. Items 40, 41, 46, 47, 61) |
| | 42217176 | Bag Lid Assem. - ABM - S3620 (Inc. items 41, 46, 47) |
| 46 | 38351009 | Torsion Spring - FW |
| 47 | 36153040 | Bag Lid Latch - AG - S3615, S3620 |
| | 36153052 | Bag Lid Latch - ABM - S3611 |
| 48 | 34633002 | Retainer Seal - LH |
| 49 | 21466732 | Screw - Self Tapping |
| 50 | 34123040 | Retainer Seal - Center |
| 51 | | Incl. w/item 5 |
| 52 | 28212026 | Switch - with Leads |
| | 28218048 | Switch - with Terminals |
| 53 | 34135014 | Switch Mounting Plate |
| 54 | 27617106 | Connector |
| 55 | 37941043 | Rheostat Cover - AG |
| | 37941044 | Rheostat Cover - ABM -S3611, S3620 |
| 56 | 38314022 | Spring - FW |
| | 38314026 | Spring - S3611, S3620 |
| 57 | 27343250 | Power Light |
| 58 | 38458034 | Cord Reel Brake Arm - AG |
| 59 | 38422159 | Switch Pedal - AG |
| | 38422184 | Switch Pedal - AG - w/o Post (Use with 28218048 Switch) |
| | 38422186 | Switch Pedal - w/o Post - ABR - S3611 |
| 60 | 38422171 | Cord Reel Pedal - ABR |
| | 38422155 | Cord Reel Pedal - AG - S3620 |
| 61 | 21378159 | Speed Clip (2) |
| 62 | 41911014 | Cord Reel Assem. |
| | 56513333 | Owner Manual |
| | 56513345 | Owner Manual - S3620 |
| | 58175088 | Carton |
| | 58175103 | Carton - S3611 |
| | 58175127 | Carton - S3620 |
| | 58211011 | Bottom Support - Front |
| | 58211012 | Bottom Support - Rear |
| | 58216013 | Top Support |
| CLEANING TOOLS (P - 240) | | |
| | 38617017 | Crevice Tool - AG |
| | 43414141 | Furniture Nozzle - ABR |
| | 43414057 | Furniture Nozzle - AG |
| | 43414064 | Dusting Brush - AG |
| | 43414073 | Floor Brush - AG |
| | 43453052 | Extension Tube - 20 - AX - S3611, S3620 |
| | 43453095 | Extension Tube - AX |
| | 43453098 | Extension Tube - AX - 20 -S3611, S3620 |
| | 43433115 | Hose - 3W - AG |
| | 48438048 | Power Nozzle - AAY- S3615 (P - 280) |
| | 48438054 | Power Nozzle - ABM - S3611 (P-280) |
| | 48438082 | Power Nozzle - AG - S3620 (P-280) |

Powernozzle -

48438265 ABR - S3601
 48438090 ABY - S3607
 48438054 ABM - S3611
 48438266 AG - S3614

48438051 AAY- S3603-040, S3603
 48438047 ABM - S3609
 48438064 AG - S3613
 48438267 ADJ - S3606

48438048 - AG S3610, S3615
 48438082 ABM - S3620
 48438274 - AG - S3612

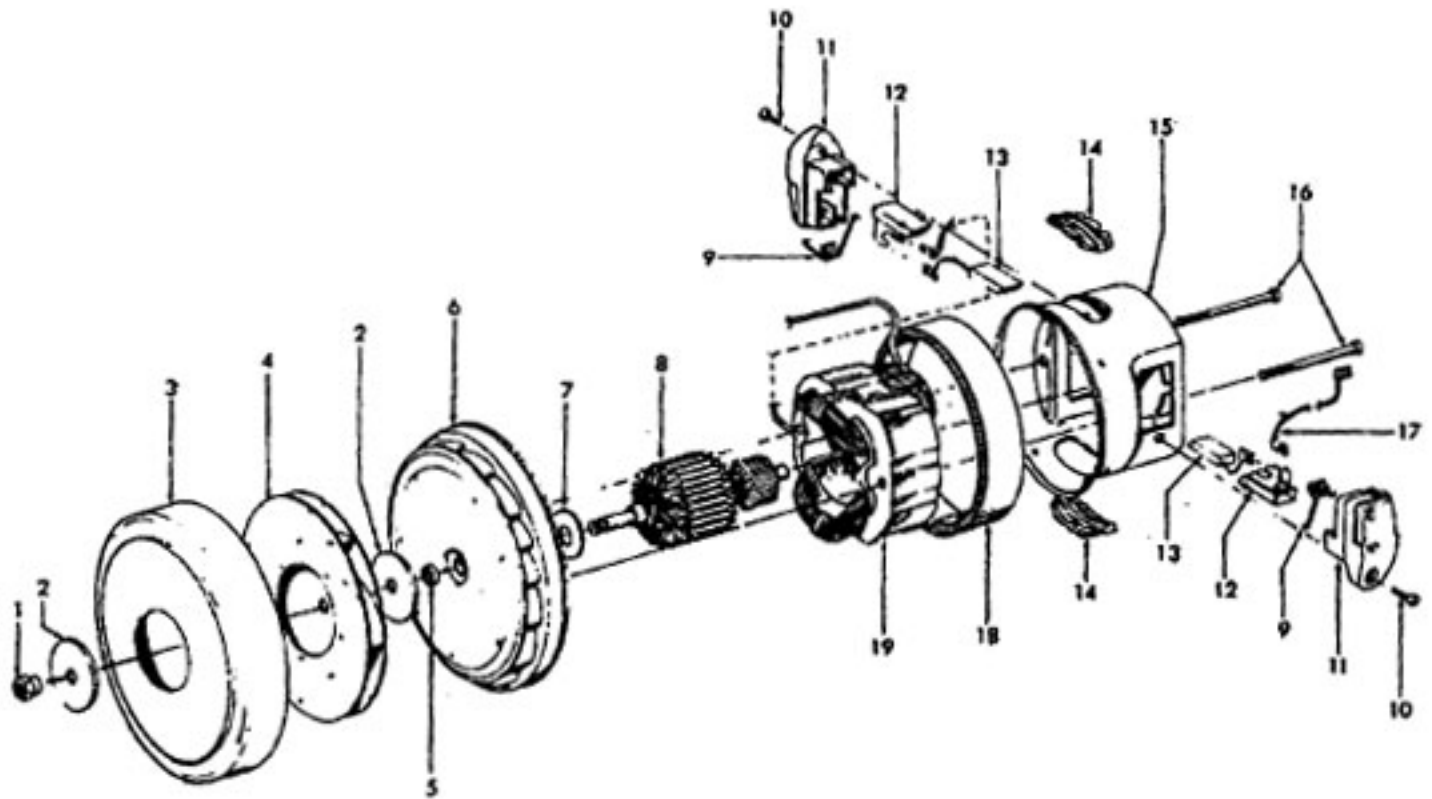


| Ref. No. | Part No | Description |
|----------|----------|---|
| 1 | 42252344 | Nozzle Body Assem. - S3603, S3603-040 (incl. Items 28,29,30) |
| | 42252345 | Nozzle Body Assem. - S3609 (incl. Items 28,29,30) |
| | 42252346 | Nozzle Body Assem. - AG -S3611, S3612, S3613, S3615, S3620 (incl. Items 28,29,30) |
| | N/A | Nozzle Body Assem. - S3601,S3607, S3610, S3614 use 42252346 |
| | 37241163 | Nozzle Body Assem. - S3606 (Incl. It. 28, 29, 30) |
| 2 | 18972 | Insulated Terminal |
| 3 | 12227 | Insulated Terminal (2) |
| 4 | 43177082 | Motor Assem. Comp. |
| 5 | 47171020 | Dirt Finder Socket Assem. |
| 6 | 36218016 | Isolation Grommet - AG (3) |
| 7 | 21447003 | Screw - Self Tapping (10) |
| 8 | 34253018 | Rear Seal |
| 9 | 42256099 | Duct Cover Assem. (Incl. Items 5,6,8,22) |
| 10 | 46521021 | Cord Assem. - 3W - AG |
| | 46321009 | Cord Assem. - 2W - S3601, S3607, S3614 S3612 |
| 11 | 163768 | Strain Relief Bushing |
| 12 | 35276008 | Detent Spring |
| 13 | 43482108 | Nozzle Conn. Assem. - AG |
| 14 | 34112007 | Seal |
| 15 | 34122014 | Seal (2) |
| 16 | 43244043 | Wheel Assem. AG (2) |
| 17 | 42246114 | Base Plate Assem. - ABR (Incl. Items 18,19) |
| | 42246115 | Base Plate Assem. - AG (Incl. Items 18, 19) |
| 18 | 31522004 | Wheel Shaft - AY (2) |
| 19 | 32781001 | Wheel - AG (2) |
| 20 | 21479801 | Screw - Self Tapping (3) |
| 21 | 48414081 | Agitator Assem. Comp. |
| 22 | 34123039 | Duct Cover Seal |
| 23 | 13261AY | Rug Nozzle Rib Shoe |
| 24 | 36923008 | Belt Guard |
| 25 | 38528011 | Belt |
| 26 | 27479307 | Lead Wire Tie |
| 27 | 27317307 | Dirt Finder Lamp |
| 28 | 39383106 | Dirt Finder Lens - AAN |
| 29 | 52125135 | Nameplate |
| | 52125141 | Nameplate - S3603-040, S3610, S3611 S3620, S3606 |
| | 52125149 | Nameplate - S3614 |
| | N/A | Nameplate - S3613 |
| | N/A | Nameplate - S3612 |
| 30 | 48111010 | Belt Lens |
| | 39383096 | Belt lens Cover - S3606 |

ITEMS NOT ILLUSTRATED
 39385007

| Ref. No. | Part No | Description |
|-------------------|----------|-----------------------------|
| | | Reflector |
| Agitator 48414081 | | |
| 1 | 36423016 | Thread Guard - RH |
| 2 | 43267002 | Agitator Bearing Assem. (2) |
| 3 | 21347003 | Conical Washer (2) |
| 4 | 36422022 | Agitator End (2) |
| 5 | N/A | Agitator Body |
| 6 | 32724013 | Agitator Shaft |
| 7 | 36423017 | Thread Guard - LH - AG |

Motor Assembly

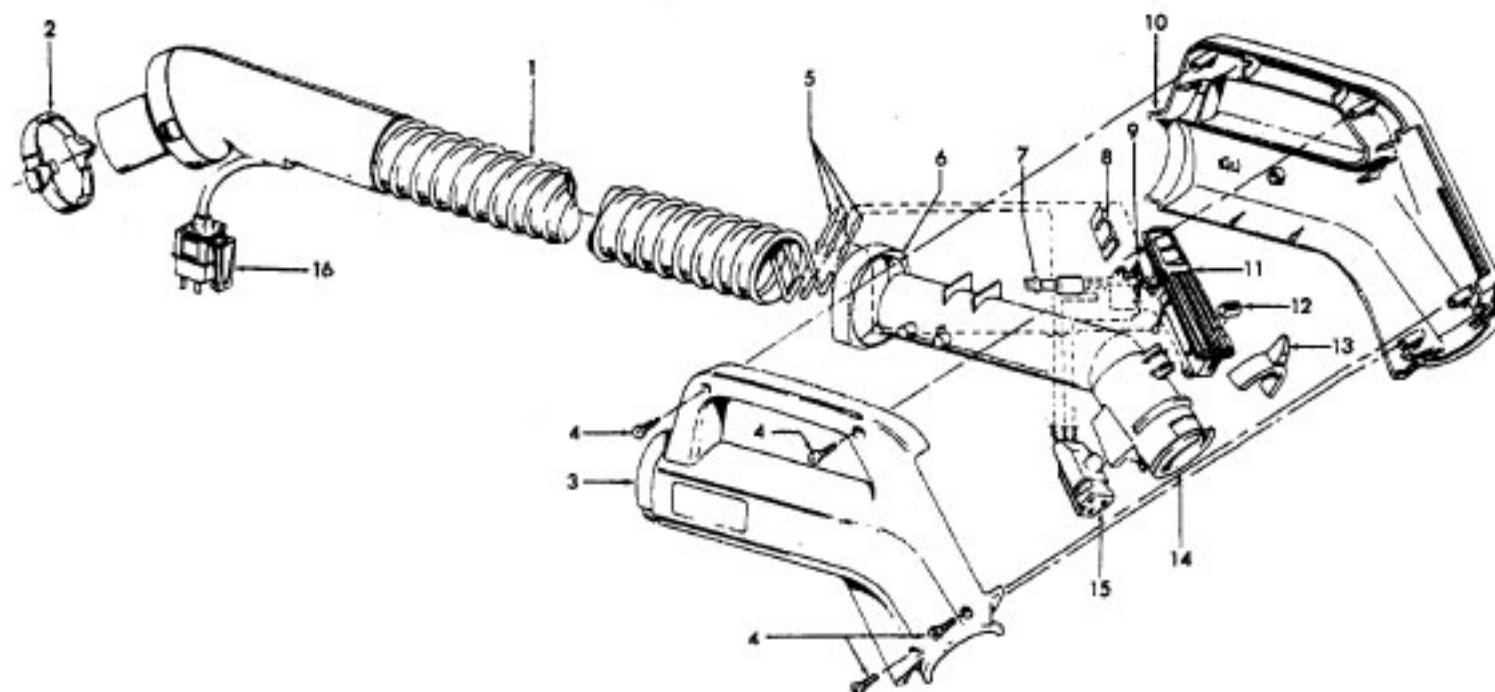


| Ref. No. | Part No. | Description |
|----------|----------|-----------------------|
| | 43576161 | + Motor Assem. |
| 1 | 12028 | + Nut |
| 2 | 21312774 | + Washer - FW (2) |
| 3 | 37196085 | Fan Cover |
| 4 | 43551008 | Fan |
| 5 | 31148011 | Bearing Spacer |
| 6 | 43551030 | Diffuser Assem. Comp. |
| 7 | N/A | |
| 8 | 44765220 | Armature Assem. |

| Ref. No. | Part No. | Description |
|----------|----------|-----------------------------|
| 9 | 38353004 | Spring (2) |
| 10 | 21429406 | + Screw (2) |
| 11 | 168038AG | Brush Carrier (2) |
| 12 | 188506 | Brush Holder (2) |
| 13 | 167679 | Motor Brush Assem. (2) |
| 14 | 169702BZ | + Bushing (2) |
| 15 | 42193025 | Motor Housing Assem. |
| 16 | 21447222 | + Field Lamination Bolt (2) |
| 17 | 46176001 | Lead Wire Assem. |
| 18 | 36322031 | Motor Gasket |
| 19 | 45311048 | Field Assem. |

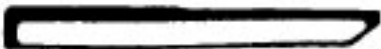



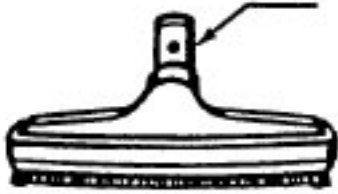
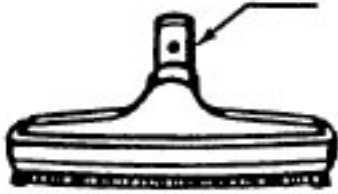



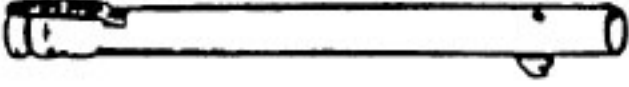
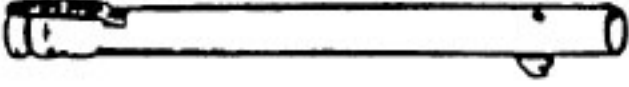
Hose Assembly - PowerMAX
Hose Assembly - WindTunnel Ultra Canister

Model S3611, S3615, S3620
Model S3649, S3655, S3661



| Ref. No. | Part No. | Description |
|----------|----------|---|
| | 43433119 | Hose Assem. 3W (Replaced 43433115) |
| 2 | 36153038 | Hose Release Latch |
| 3 | 39461016 | Hose Grip - RH - ABR |
| | 39461018 | Hose Grip - RH - AG - S3620, S3655, S3661 |
| 4 | 21447124 | Screw - Self Tapping (4) |
| 5 | 27613002 | Splice (3) |
| | 31712006 | Insulating Sleeve (3) |
| 6 | 36131087 | Retaining Ring - ABR |
| 7 | 18972 | Insulated Terminal |
| 8 | 36913030 | Insulator |
| 9 | 28267001 | Switch |
| 10 | 39461015 | Hose Grip - LH - ABR |
| | 39461017 | Hose Grip - LH - AG - S3620, S3655, S3661 |
| 11 | 47551014 | Grip Control Panel Assem. (incl. Items 9,12) |
| | 51438003 | Nameplate - Grip Control Panel |
| 12 | 38421041 | Button - AAU |
| 13 | 36153029 | Latch Ring - AG |
| 14 | 38646034 | Inner Tube - AG |
| 15 | 46526004 | Connector |
| 16 | 36152029 | Plug Latch - AG |
| | 40300052 | Cord Repair Kit - 3W |

Cleaning Tools - Futura, Spectrum, Dimension, WindTunnel

| | | |
|---|----------|--|
|  | 38617017 | Crevice Tool - AG |
|  | 43414057 | Furniture Nozzle - AG |
| | 43414141 | Furniture Nozzle - ABR |
|  | 43414064 | Dusting Brush - AG |
|  | 38644020 | Swivel Connector - AG |
| | 38644040 | Swivel Connector - AAP |
|  | 43414073 | Floor Brush - AG |
|  | 48447001 | Brush Back |
|  | 36172584 | Cord/Wand Clip |
|  | 43453052 | Ext. Tube - 20 - AX |
| | 43453027 | Ext. Tube |
| | 43453058 | Ext. Tube - BL 20 w/o Cord Clip |
|  | 43453023 | Ext. Tube - AX 20 |
|  | 43453095 | Ext. Tube - AX 20 (Black Storage Clip) (Spectrum) |
| | 43453098 | Ext. Tube - AX 20 (Gray Storage Clip) (Futura) |
| | 43453099 | Ext. Tube - AX 20 (Black Storage Clip) (WindTunnel Canister) |
|  | 3863801P | Extension Tube - Poly - AG |