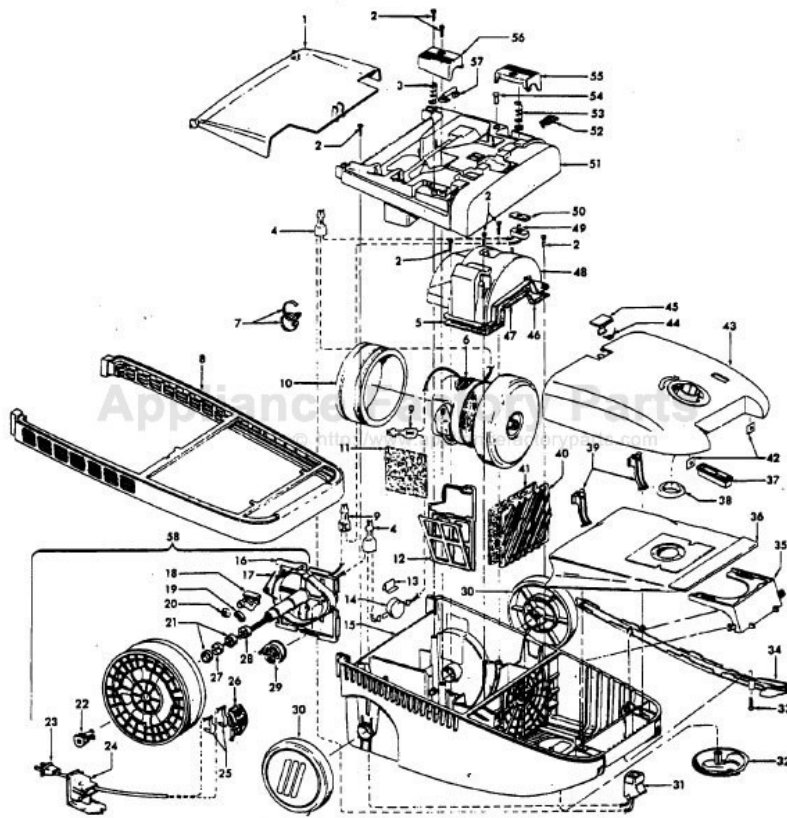


This Owner's Manual is provided and hosted by [Appliance Factory Parts](#).



HOOVER S3636-050 Owner's Manual

[Shop genuine replacement parts for HOOVER
S3636-050](#)



[Find Your HOOVER Vacuum Cleaner Parts - Select From 1456 Models](#)

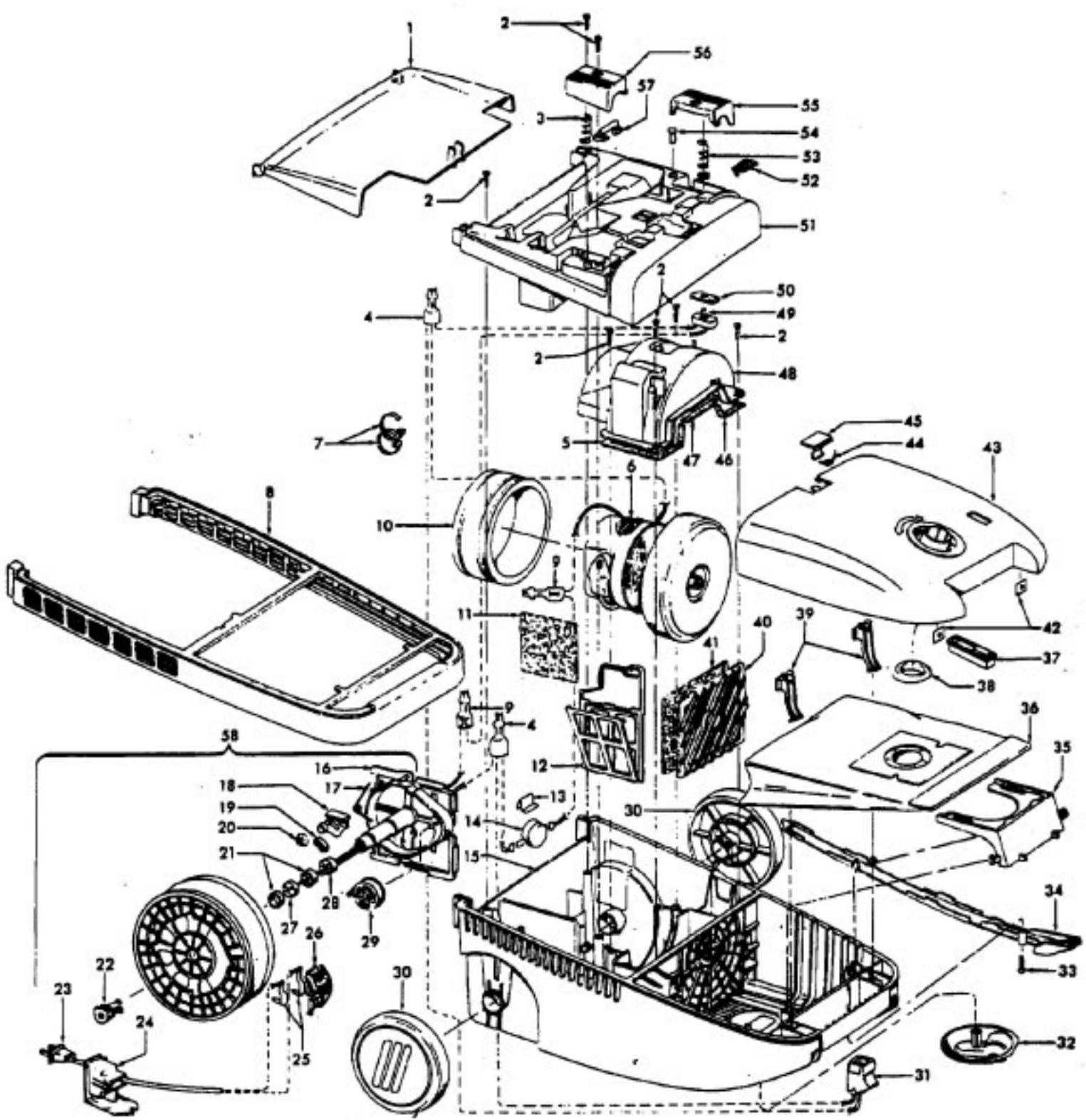
----- Manual continues below part list -----

Available Replacement Parts for HOOVER S3636-050

| | |
|----------------------------|--------------------------------|
| HR-1489 | HOOVER MICRO FILTER BAG 3 PACK |
| H-38528036 | BELT, FLAT 1PK |
| H-34174012 | FILTER, EXHAUST, 1PK |
| H-43414073 | Floor brush. |
| H-43414064 | DUSTING BRUSH (ONE PEICE) |
| H-38765009 | SECONDARY FILTER |
| HR-5000 | EXTENSION TUBE |

WindTunnel Deluxe
TurboPOWER Canister
Farrington WindTunnel Canister

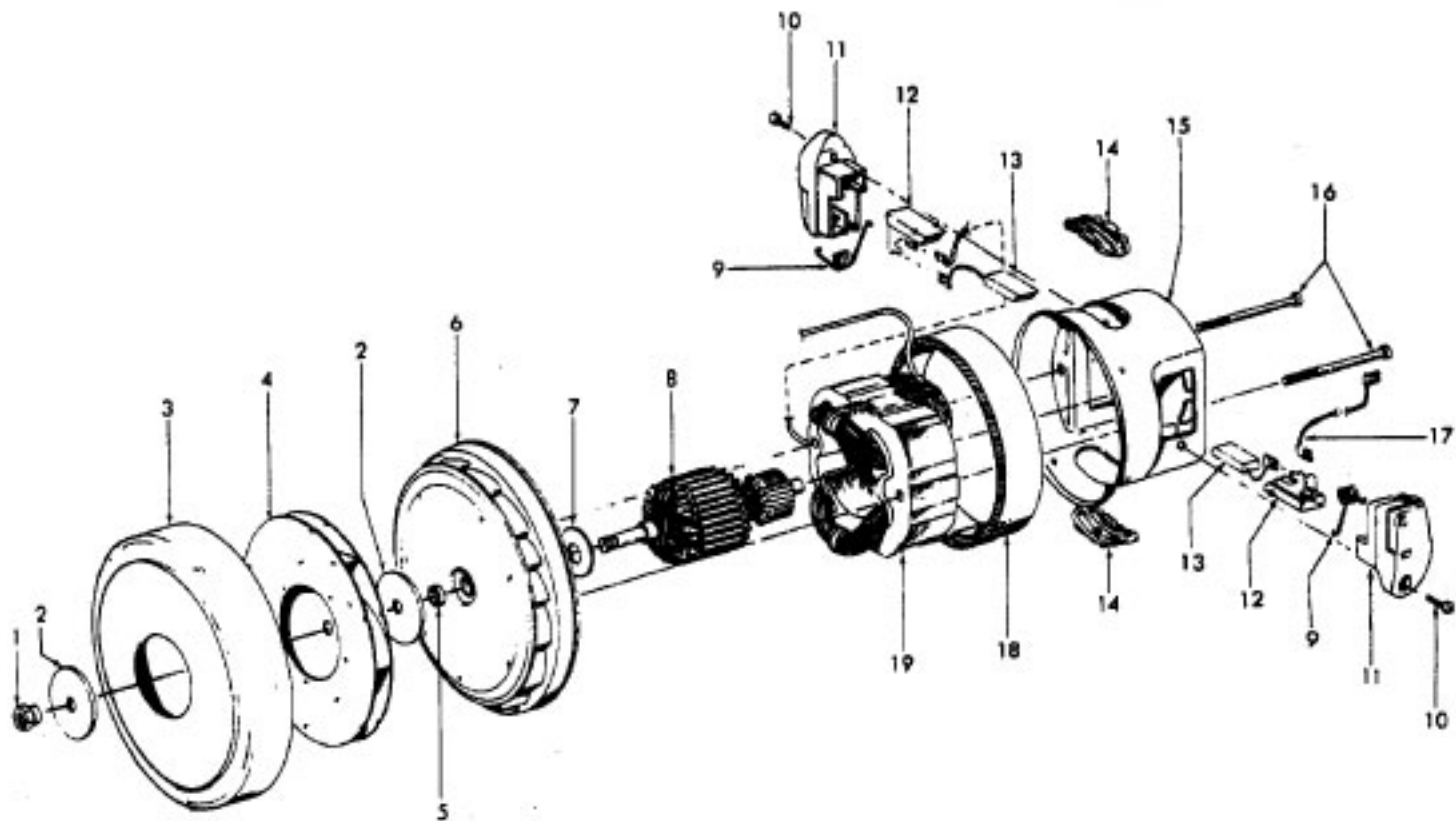
Model S3630
Model S3646, S3646-020
Model S3636-050



**WindTunnel Deluxe
TurboPOWER Canister
Farrington WindTunnel Canister**

**Model S3630
Model S3646, S3646-020
Model S3636-050**

| Ref. No. | Part No. | Description | Ref. No. | Part No. | Description |
|----------|---|--|---------------------------------|----------|---|
| 1 | 37215180 | Tool Lid - AAN | 49 | 28218048 | Switch |
| 2 | 21447217 | Screw (7) | 50 | N/A | Switch Mounting Plate - AAP |
| 3 | 38314024 | Spring - FW | 51 | 41426134 | Motor Cover - ABM - S3630 - (Incl. Items 3,56,57) |
| 4 | 27618508 | Wire Connector | | 41426130 | Motor Cover - AG - S3646, S3646-020 (Incl. Items 3, 56, 57) |
| 5 | 34633003 | Retainer Seal - RH | 52 | 37941043 | Rheostat Cover - AG |
| 6 | 43576192 | Motor Assem. (P - 266) | 53 | 38314026 | Spring |
| 7 | 27479307 | Lead Wire Tie | 54 | 23762005 | Plug |
| 8 | 36235069 | Furniture Guard - AG | 55 | 38422184 | Switch Pedal - AG |
| 9 | 27618508 | Wire Connector | 56 | 38422155 | Cord Reel Pedal - AG |
| 10 | 36322031 | Motor Mount | 57 | 38458034 | Cord Reel Brake Arm - AG |
| 11 | 34174012 | Exhaust Filter | 58 | 41911014 | Cord Reel Assem. |
| 12 | 38769019 | Exhaust Filter Cassette - AAU | | 56513349 | Owner Manual |
| 13 | 21378160 | Retaining Clip | | 56513354 | Owner Manual - S3636-050, S3646-020 |
| 14 | 28382085 | Thermal Protector | | 58175129 | Carton - S3630 |
| 15 | 42215003 | Main Body Assem. - AG (Incl. Items 8,31,34) | | 58175130 | Carton - S3646, S3646-020 |
| | 42215009 | Main Body Assem. - AAY - (Incl. It. 8,31,34) | | 58175138 | Carton - S3636-050 |
| 16 | N/A | Cord Reel Support | | 58211011 | Bottom Support - Front |
| 17 | N/A | Torsion Spring | | 58211012 | Bottom Support - Rear |
| 18 | N/A | Brake Lever - AAP | CLEANING TOOLS (P - 240) | | |
| 19 | N/A | Brake Pad | | 38617017 | Crevice Tool - AG |
| 20 | N/A | Push Nut | | 43414057 | Furniture Nozzle - AG |
| 21 | N/A | Spacer - BZ (2) | | 43414064 | Dusting Brush - AG |
| 22 | N/A | Retainer - AG | | 43414073 | Floor Brush - AG |
| 23 | 46383288 | Attachment Cord - AG | | 43453023 | Extension Tube - AX - 20 |
| 24 | 36218018 | Ferrule - AG | | 43453099 | Extension Tube - AX |
| 25 | N/A | Contact Spring (2) | | 49129008 | Turbine Hand Tool - S3646-020 |
| 26 | N/A | Brush Holder - BZ | | 43433116 | Hose - 2W - (P - 278) |
| 27 | N/A | Slip Ring Assem. - White | | 48438197 | Power Nozzle - ABM (P- 314) - S3630 |
| 28 | N/A | Slip Ring Assem. - Black | | 48438204 | Power Nozzle - (P- 314) S3646, S3646-020 |
| 29 | N/A | Spool & Spring Assem. | | 48438268 | Power Nozzle - AAY - S3636-050 |
| 30 | 38522065 | Wheel - AG (2) | | | |
| 31 | 46326082 | Receptacle Assem. - AG | | | |
| 32 | 41432040 | Wheel Carrier Assem. - AG | | | |
| 33 | 21447223 | Screw - Self Tapping | | | |
| 34 | 36218020 | Cord Channel Cover - AG | | | |
| 35 | 36424010 | Bag Collar Support - AG | | | |
| 36 | 4010100S | Disp. Bag - 3 pack - Allergen Filtration | | | |
| 37 | 51151010 | Bag Indicator Assem | | | |
| | 51151028 | Bag Indicator Assem. - S3646-020 | | | |
| 38 | 36424012 | Bag Collar Seal - AG | | | |
| 39 | 36151027 | Bag Lid Hinge - AG (2) | | | |
| 40 | 37944005 | Filter Retainer - AG | | | |
| 41 | 38765009 | Secondary Filter | | | |
| 42 | 21378159 | Speed Clip (2) | | | |
| 43 | Note: Bag Lid Assem's include items 37, 38, 44, 45 | | | | |
| | 42212135 | Bag Lid Assem. - AG - Common - S3646 | | | |
| | 42217179 | Bag Lid Assem. - ABY - S3630 | | | |
| | 42217189 | Bag Lid Assem. - AY - S3636-050 - | | | |
| | 42217191 | Bag Lid Assem. - AG - S3646-020 | | | |
| 44 | 38351009 | Torsion Spring | | | |
| 45 | 36153040 | Bag Lid Latch - AG | | | |
| | 36153048 | Bag Lid Latch - AAY | | | |
| 46 | 34633002 | Retainer Seal - LH | | | |
| 47 | 34123040 | Retainer Seal - Center | | | |
| 48 | 41312040 | Motor Retainer - AAP (Incl. Items 5,46,47) | | | |

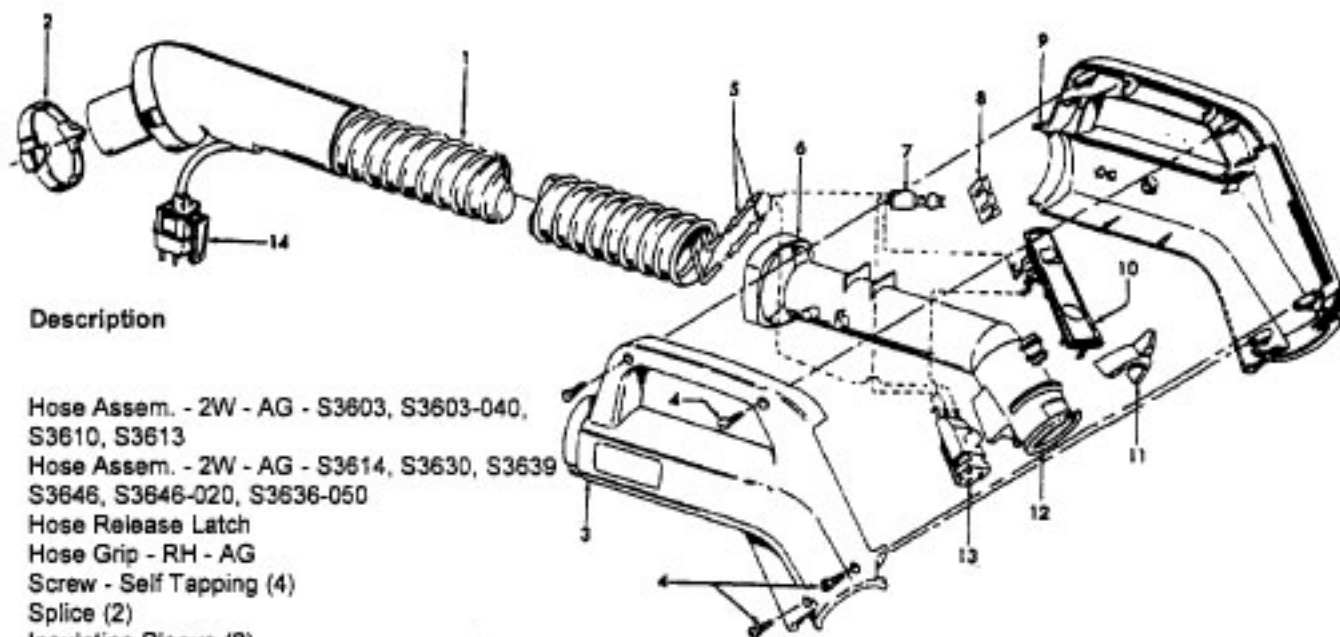


| Ref. No. | Part No. | Description |
|----------|----------|--|
| | 43576184 | Motor Assem. (Molded Diffuser) |
| | 43576192 | Motor Assem. - S3630, S3639, S3646, S3646-020, S3649, S3655, S3661 |
| 1 | 12028-- | Nut |
| 2 | 21312774 | Washer - FW (2) |
| 3 | 37196065 | Fan Cover |
| 4 | 43551008 | Fan |
| 5 | 31148009 | Bearing Spacer (Use w/Die Cast Diffuser) |
| | 31148011 | Bearing Spacer (Use w/Molded Diffuser) |
| 6 | 43551029 | Diffuser Assem. Comp. (Molded) |
| 7 | 31165003 | Bearing Retainer Plate (Die Cast Diffuser) |
| 8 | 44765138 | Armature Assem. |
| | 44765241 | Armature Assem. - S3630, S3646, S3655 |
| 9 | 38353004 | Spring (2) |
| 10 | 21429406 | Screw (2) |
| 11 | 167696AG | Brush Carrier (2) |

| Ref. No. | Part No. | Description |
|----------|----------|--|
| 12 | N/A | Brush Holder (2) - Use Brush Carrier Assem. 47318008 (Incl. It. 9, 11, 12, 13) |
| 13 | 167681 | Motor Brush Assem. (2) |
| | 47315011 | Motor Brush Assem. (2) - S3630, S3646, S3655 |
| 14 | 169702BZ | Bushing (2) |
| 15 | 42193025 | Motor Housing Assem. |
| 16 | 36112006 | Field Lamination Bolt (2) (Die Cast Diffuser) |
| | 21447222 | Field Lamination Bolt (2) (Phenolic Diffuser) |
| | 21479573 | Screw (2) - S3630, S3646, S3655 |
| 17 | 46176001 | Lead Wire Assem. |
| 18 | 36322031 | Motor Gasket |
| 19 | 45311051 | Field Assem. |

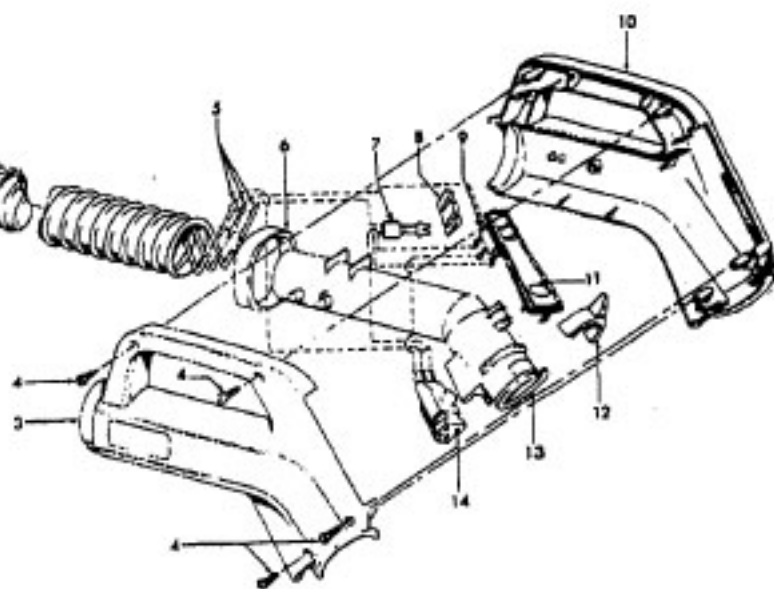
Hose Assembly - PowerMAX/TurboPOWER/ WindTunnel

Models S3603, S3603-040, S3609,
S3610, S3613, S3614, S3630, S3639,
S3640, S3646, S3646-020, S3636-050

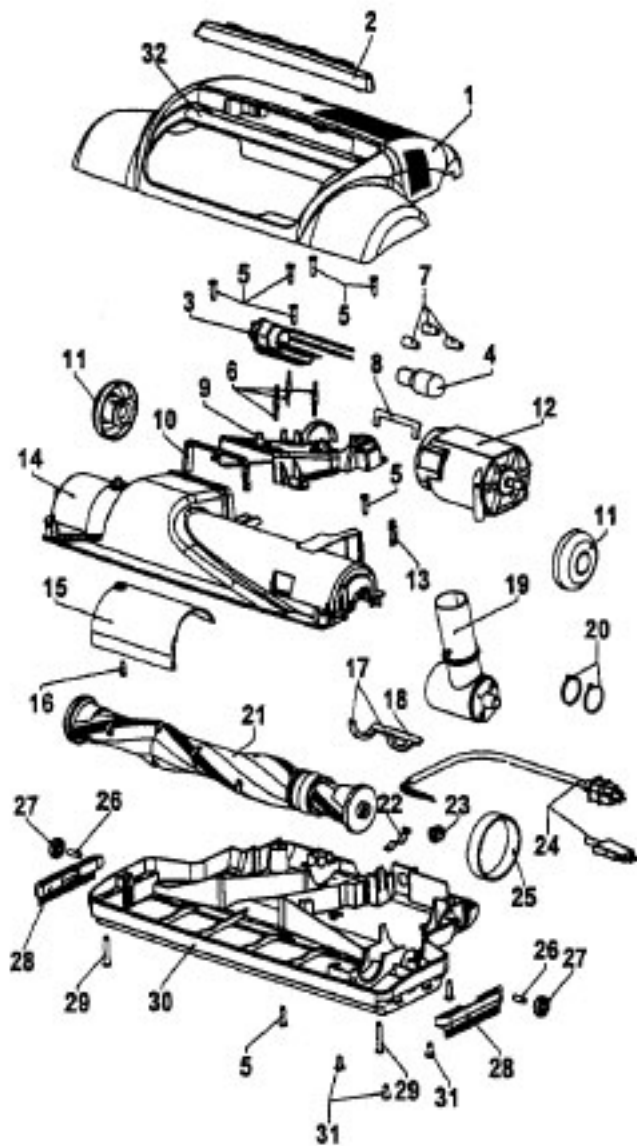


| Ref. No. | Part No. | Description |
|----------|----------|--|
| 1 | 43433110 | Hose Assem. - 2W - AG - S3603, S3603-040, S3610, S3613 |
| | 43433116 | Hose Assem. - 2W - AG - S3614, S3630, S3639, S3646, S3646-020, S3636-050 |
| 2 | 36153038 | Hose Release Latch |
| 3 | 39461018 | Hose Grip - RH - AG |
| 4 | 21447124 | Screw - Self Tapping (4) |
| 5 | 27613002 | Splice (2) |
| | 31712006 | Insulating Sleeve (2) |
| 6 | 36131087 | Retaining Ring - ABR |
| 7 | 18972 | Insulated Terminal |
| 8 | 36913030 | Insulator |
| 9 | 39461017 | Hose Grip - LH - AG |
| 10 | 47551011 | Grip Control Panel Assem. |
| | 47551031 | Grip Control Panel Assem. (Inc. items 7, 13) |
| | 51375132 | Nameplate - Grip Control Panel |
| 11 | 36153029 | Latch Ring -AG |
| 12 | 38646081 | Inner Tube - AG |
| 13 | 46526004 | Connector - BZ |
| 14 | 36152029 | Plug Latch - AG |
| | 40300051 | Cord Repair Kit - 2W |

| Ref. No. | Part No. | Description |
|----------|----------|---|
| 1 | 43433098 | Hose Assem. - 3W - S3640 |
| 2 | 36153038 | Hose Release Latch |
| 3 | 39461016 | Hose Grip - RH - ABR |
| 4 | 21447124 | Screw - Self Tapping (4) |
| 5 | 27613002 | Splice (3) |
| | 31712006 | Insulating Sleeve (3) |
| 6 | 36131087 | Retaining Ring - ABR |
| 7 | 18972 | Insulated Terminal |
| 8 | 36913030 | Insulator |
| 9 | 28267001 | Switch |
| 10 | 39461015 | Hose Grip - LH - ABR |
| 11 | 47551013 | Grip Control Panel Assem. (Incl. Items 7,9) |
| | 51375133 | Nameplate - Grip Control Panel |
| 12 | 36153029 | Latch Ring - AG |
| 13 | 38646034 | Inner Tube - AG |
| 14 | 46526004 | Connector |
| 15 | 36152029 | Plug Latch - AG |
| | 40300052 | Cord Repair Kit - 3W |



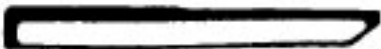



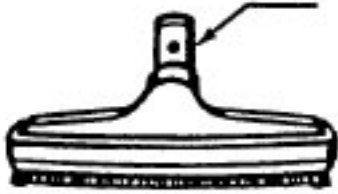
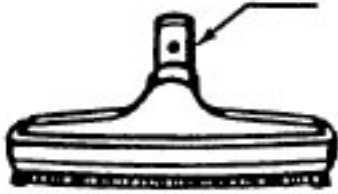



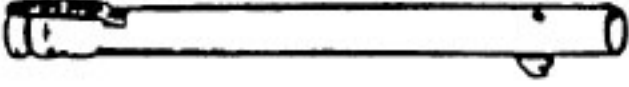
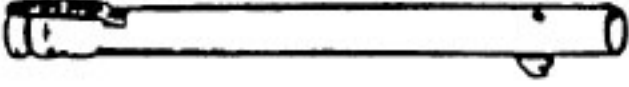
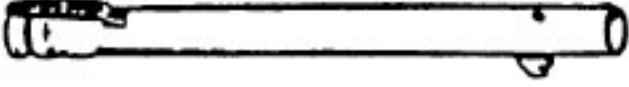
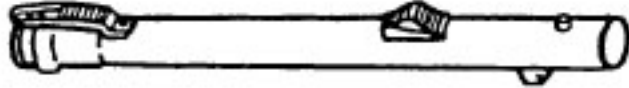
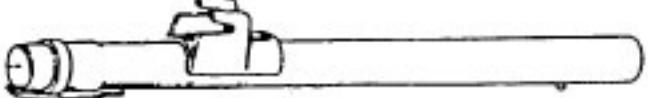
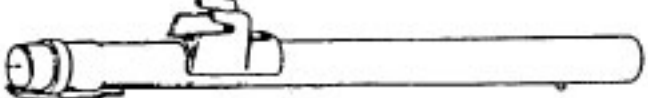
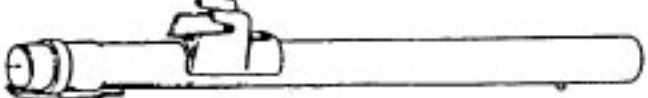

PowerNozzle 48438197 - S3630 - ABM 48438204 - S3646, S3646-020 - AG 48438104 - S3640 - ACM
 48438204 - S3649, S3655, S5711, S5713 - AG 48438198 - S3639 - ADJ
 48438208 - S3661 - ACL 48438268 - S3636-050- AAY 48438273- AG-S5686, S5688



| Ref. No. | Part No. | Description |
|----------|---------------------------------------|---|
| 1. | Note: All Hoods include item 2 | |
| | 37253310 | Hood - S3630 |
| | 37253311 | Hood - S3646, S3646-020, S3649, S3655, S5711, S5713 S5686, S5688 |
| | 37253314 | Hood - S3640 |
| | 37253330 | Hood - S3639 |
| | 37253331 | Hood - S3661 |
| | 37253332 | Hood - S3636-050 |
| 2. | 39383105 | Lens |
| 3. | 47171020 | Dirt Finder Socket Assembly |
| 4. | 27317307 | Dirt Finder Bulb |
| 5. | 21447003 | Screw - 8 required |
| 6. | 36218016 | Grommet - 3 required |
| 7. | 27618508 | Wire Connector - 3 required |
| 8. | 34253018 | Rear Seal |
| 9. | 37243031 | Duct Cover |
| 10. | 34113008 | Seal |
| 11. | 43244043 | Wheel / Axle Assembly - 2 required |
| 12. | 43177062 | Motor Assembly |
| 13. | 013261AY | Rib Shoe |
| 14. | 37243029 | Agitator Cover Assembly - (Inc. items 13, 15, 16) See note |
| 15. | 37243030 | Duct Cover |
| 16. | 21479449 | Screw |
| 17. | 34122014 | Seal - 2 required |
| 18. | 34112007 | Seal |
| 19. | 43482106 | Nozzle Connector |
| 20. | 27479307 | Cable Tie - 2 required |
| 21. | 48414084 | Agitator Assembly |
| 22. | 35276008 | Detent Spring |
| 23. | 163768-- | Strain Relief |
| 24. | 46521021 | Power Nozzle Cord - 3 wire |
| | 46321105 | Cord - 2 wire - S5686, S5688 |
| 25. | 38528036 | Belt |
| 26. | 31522004 | Wheel Shaft |
| 27. | 32761001 | Wheel |
| 28. | 39511004 | Litter Picker - 2 required |
| 29. | 21447236 | Screw - 2 required |
| 30. | 37245053 | Base Plate - (Includes items 26, 27, 28) See note |
| 31. | 21479801 | Screw - 3 required |
| 32. | 51669082 | Nameplate - S3630, S3640 |
| | 51669083 | Nameplate - S3655, S5711, S5713, S5686, S5688 |
| | N/A | Nameplate - S3639, S3646, S3646-020, S3649, S3661 |
| | 51659042 | Hood Nameplate - S3636-050 |

Note: Does not include pulley seals. Order part number 38781053.

Cleaning Tools - Futura, Spectrum, Dimension, WindTunnel

| | | |
|---|----------|--|
|  | 38617017 | Crevice Tool - AG |
|  | 43414057 | Furniture Nozzle - AG |
|  | 43414141 | Furniture Nozzle - ABR |
|  | 43414064 | Dusting Brush - AG |
|  | 38644020 | Swivel Connector - AG |
|  | 38644040 | Swivel Connector - AAP |
|  | 43414073 | Floor Brush - AG |
|  | 48447001 | Brush Back |
|  | 36172584 | Cord/Wand Clip |
|  | 43453052 | Ext. Tube - 20 - AX |
|  | 43453027 | Ext. Tube |
|  | 43453058 | Ext. Tube - BL 20 w/o Cord Clip |
|  | 43453023 | Ext. Tube - AX 20 |
|  | 43453095 | Ext. Tube - AX 20 (Black Storage Clip) (Spectrum) |
|  | 43453098 | Ext. Tube - AX 20 (Gray Storage Clip) (Futura) |
|  | 43453099 | Ext. Tube - AX 20 (Black Storage Clip) (WindTunnel Canister) |
|  | 3863801P | Extension Tube - Poly - AG |