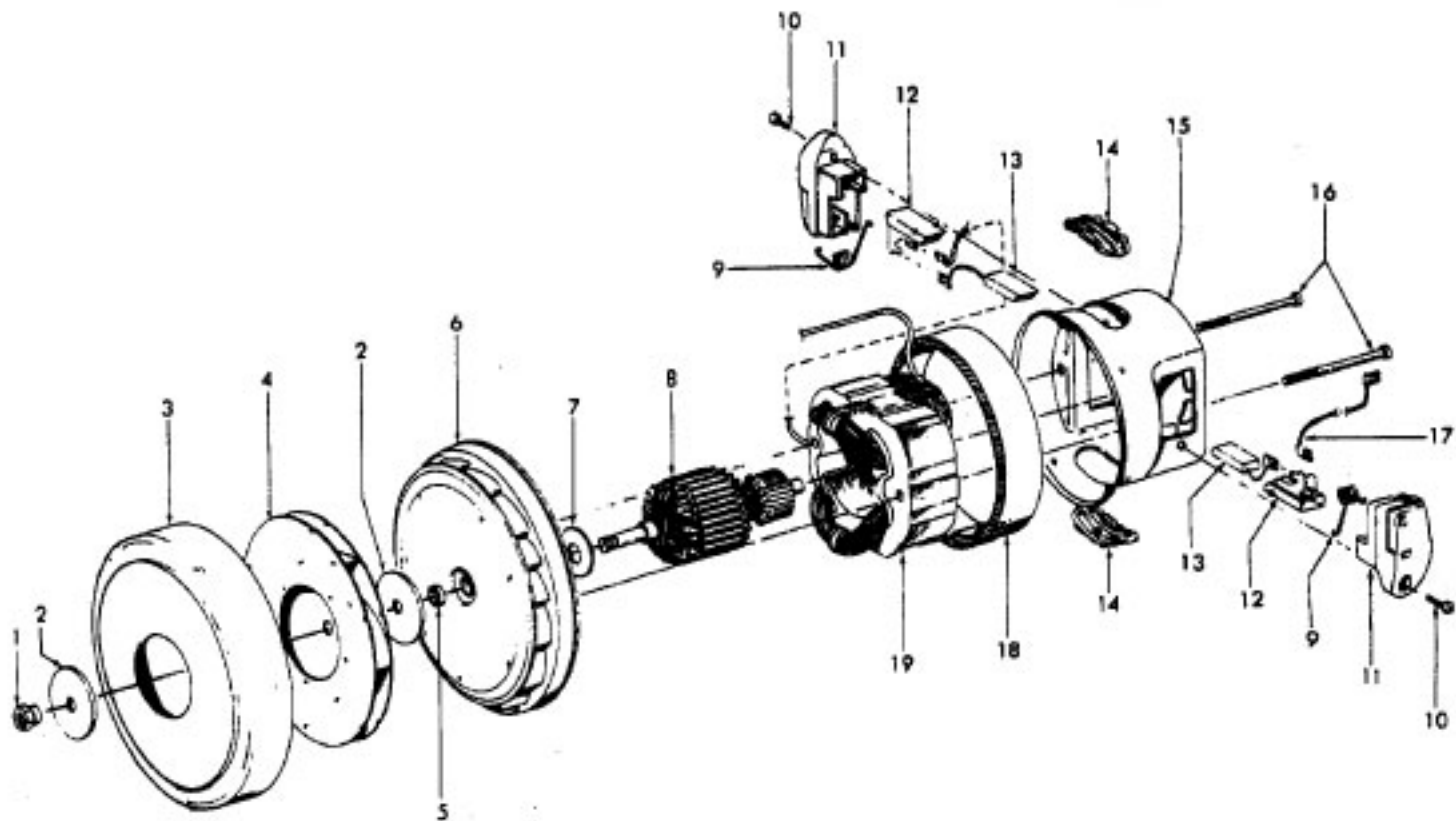


WindTunnel Ultra Canister
WindTunnel Canister

Model S3655
Model S3640

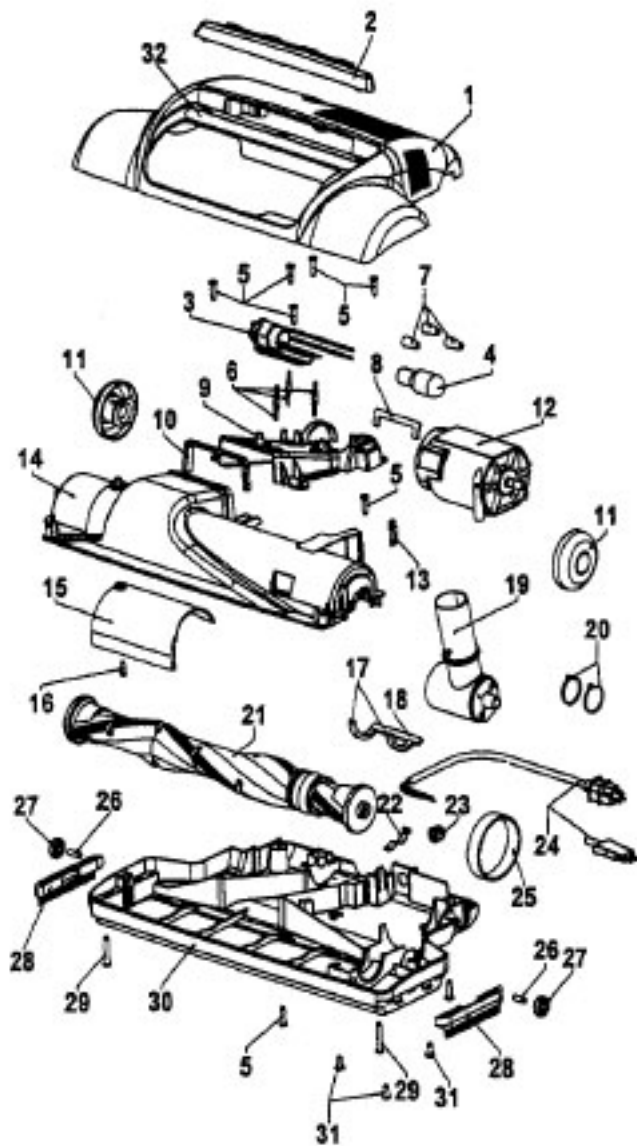
Ref. No.	Part No.	Description	Ref. No.	Part No.	Description
1	37215180	Tool Lid - AAN	51		Incl. w/item 5
2	21447217	Screw (7)	52	28218048	Switch
3	38314024	Spring - FW	53	Not Applic.	Switch Mounting Plate
4	41426130	Motor Cover - AG - S3655 (Incl. Items 3,58,60)	54	27617106	Connector
	41426141	Motor Cover - ACM - S3640 (Inc. Items 3, 58, 60)	55	37941043	Rheostat Cover - AG
5	41312048	Motor Retainer Assem. (Incl. Items 6,7,48,49,50,51)	56	38314026	Spring
6	34633003	Retainer Seal - RH	57	27343250	Power Light
7		Included w/item 5	58	38458034	Cord Reel Brake Arm - AG
8	27479307	Lead Wire Tie	59	38422184	Switch Pedal - AG
9	36235069	Furniture Guard - AG	60	38422155	Cord Reel Pedal - AG
10	36322031	Motor Mount	61	21378159	Speed Clip (2)
11	43576192	Motor Assem. (P-286)	62	41911014	Cord Reel Assem.
12	34174012	Exhaust Filter		56513349	Owner Manual
13	12227	Insulated Terminal (2)		58175131	Carton
14	18972	Insulated Terminal (2)		58211011	Bottom Support - Front
15	38769019	Exhaust Filter Cassette - AAU		58211012	Bottom Support - Rear
16	21378160	Retaining Clip	CLEANING TOOLS (P - 240)		
17	28382085	Thermal Protector		38617017	Crevice Tool - AG
18	N/A	Cord Reel Support - BZ		43414057	Furniture Nozzle - AG
19	N/A	Torsion Spring - FW		43414064	Dusting Brush - AG
20	N/A	Brake Lever Assem. - AAP		43414073	Floor Brush - AG
21	N/A	Brake Pad		43453052	Extension Tube - 20 - AX - S3655
22	N/A	Push Nut		43453023	Extension Tube - 20 - AX - S3640
23	N/A	Slip Ring Assem. - White		43453099	Extension Tube - AX - S3640, S3655
24	N/A	Spacer - BZ (2)		3863801P	Extension Tube - Molded (3 included with model S3655)
25	N/A	Retainer - AG		43433115	Hose - 3W - AG - S3655 - (P.279)
26	46383288	Attachment Cord Assem. - AG		43433098	Hose - 3W - AG - S3640 - (P. 278)
27	36218018	Ferrule - AG		48438204	Power Nozzle - AG- S3655 (P. 314)
28	N/A	Contact Spring (2)		48438104	Power Nozzle - ACM - S3640 (P. 314)
29	N/A	Slip Ring Assem. - Black		4341401P	Rug and Floor Nozzle - (1 included with model S3655)
30	N/A	Spool & Spring Assem.			
31	N/A	Brush Holder			
32	38522065	Wheel - AG (2)			
33	42215004	Main Body Assem. - AG (Incl. Items 9,16,17,34,36,37)			
34	46326082	Receptacle Assem. - AG - S3655			
	46526015	Receptacle Assem. - AG - S3640			
35	41432040	Wheel Carrier Assem. - AG			
36	21447223	Screw - Self Tapping			
37	36218020	Cord Channel Cover - AG			
38	36424010	Bag Collar Support - AG			
39	4010100S	Throw Away Bag Assem. - 3 pack Allergen Filtration			
40	51151010	Bag Indicator Assem. Comp.			
41	36424012	Bag Collar Seal - AG			
42	36151027	Bag Lid Hinge (2)			
43	37944005	Filter Retainer - AG			
44	38765009	Secondary Filter			
45	42212135	Bag Lid Assem. - AG -Common (Incl. Items 40,41,46,47,61)			
46	38351009	Torsion Spring - FW			
47	36153040	Bag Lid Latch -			
48	34633002	Retainer Seal - LH			
49	21466732	Screw - Self Tapping			
50	34123040	Retainer Seal - Center			



Ref. No.	Part No.	Description
	43576184	Motor Assem. (Molded Diffuser)
	43576192	Motor Assem. - S3630, S3639, S3646, S3646-020, S3649, S3655, S3661
1	12028--	Nut
2	21312774	Washer - FW (2)
3	37196065	Fan Cover
4	43551008	Fan
5	31148009	Bearing Spacer (Use w/Die Cast Diffuser)
	31148011	Bearing Spacer (Use w/Molded Diffuser)
6	43551029	Diffuser Assem. Comp. (Molded)
7	31165003	Bearing Retainer Plate (Die Cast Diffuser)
8	44765138	Armature Assem.
	44765241	Armature Assem. - S3630, S3646, S3655
9	38353004	Spring (2)
10	21429406	Screw (2)
11	167696AG	Brush Carrier (2)

Ref. No.	Part No.	Description
12	N/A	Brush Holder (2) - Use Brush Carrier Assem. 47318008 (Incl. It. 9, 11, 12, 13)
13	167681	Motor Brush Assem. (2)
	47315011	Motor Brush Assem. (2) - S3630, S3646, S3655
14	169702BZ	Bushing (2)
15	42193025	Motor Housing Assem.
16	36112006	Field Lamination Bolt (2) (Die Cast Diffuser)
	21447222	Field Lamination Bolt (2) (Phenolic Diffuser)
	21479573	Screw (2) - S3630, S3646, S3655
17	46176001	Lead Wire Assem.
18	36322031	Motor Gasket
19	45311051	Field Assem.

PowerNozzle 48438197 - S3630 - ABM 48438204 - S3646, S3646-020 - AG 48438104 - S3640 - ACM
 48438204 - S3649, S3655, S5711, S5713 - AG 48438198 - S3639 - ADJ
 48438208 - S3661 - ACL 48438268 - S3636-050- AAY 48438273- AG-S5686, S5688

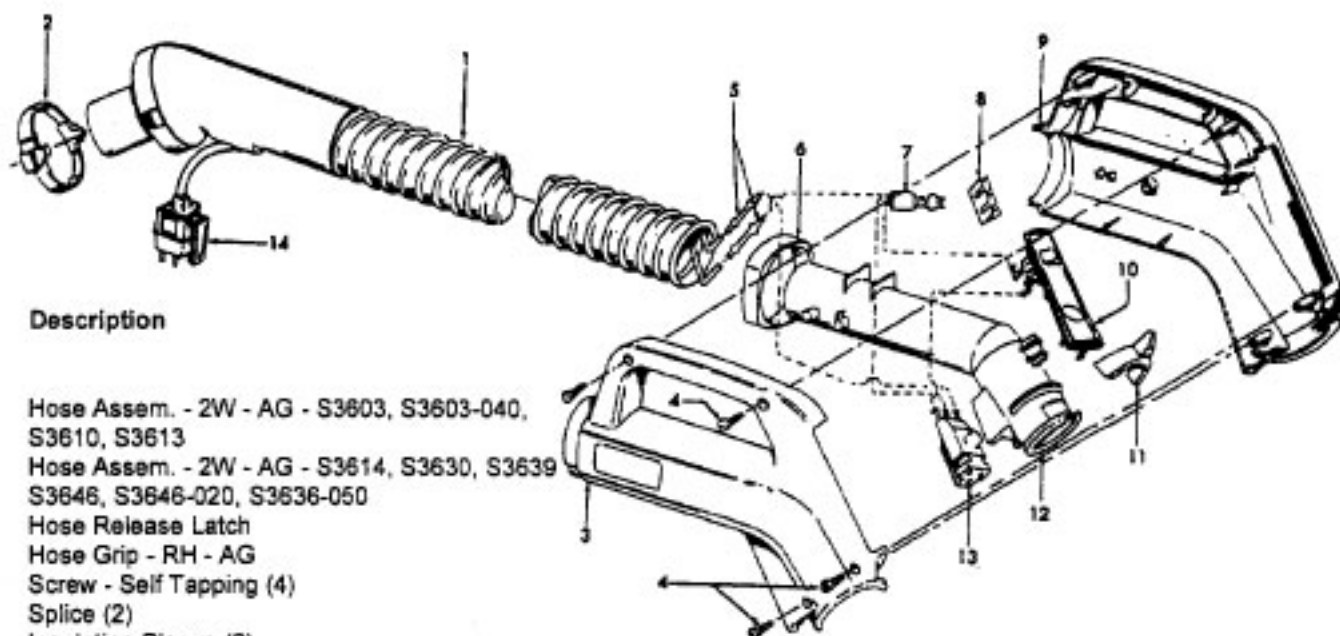


Ref. No.	Part No.	Description
1.	Note: All Hoods include item 2	
	37253310	Hood - S3630
	37253311	Hood - S3646, S3646-020, S3649, S3655, S5711, S5713 S5686, S5688
	37253314	Hood - S3640
	37253330	Hood - S3639
	37253331	Hood - S3661
	37253332	Hood - S3636-050
2.	39383105	Lens
3.	47171020	Dirt Finder Socket Assembly
4.	27317307	Dirt Finder Bulb
5.	21447003	Screw - 8 required
6.	36218016	Grommet - 3 required
7.	27618508	Wire Connector - 3 required
8.	34253018	Rear Seal
9.	37243031	Duct Cover
10.	34113008	Seal
11.	43244043	Wheel / Axle Assembly - 2 required
12.	43177062	Motor Assembly
13.	013261AY	Rib Shoe
14.	37243029	Agitator Cover Assembly - (Inc. items 13, 15, 16) See note
15.	37243030	Duct Cover
16.	21479449	Screw
17.	34122014	Seal - 2 required
18.	34112007	Seal
19.	43482106	Nozzle Connector
20.	27479307	Cable Tie - 2 required
21.	48414084	Agitator Assembly
22.	35276008	Detent Spring
23.	163768--	Strain Relief
24.	46521021	Power Nozzle Cord - 3 wire
	46321105	Cord - 2 wire - S5686, S5688
25.	38528036	Belt
26.	31522004	Wheel Shaft
27.	32761001	Wheel
28.	39511004	Litter Picker - 2 required
29.	21447236	Screw - 2 required
30.	37245053	Base Plate - (Includes items 26, 27, 28) See note
31.	21479801	Screw - 3 required
32.	51669082	Nameplate - S3630, S3640
	51669083	Nameplate - S3655, S5711, S5713, S5686, S5688
	N/A	Nameplate - S3639, S3646, S3646-020, S3649, S3661
	51659042	Hood Nameplate - S3636-050

Note: Does not include pulley seals. Order part number 38781053.

Hose Assembly - PowerMAX/TurboPOWER/ WindTunnel

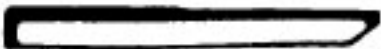



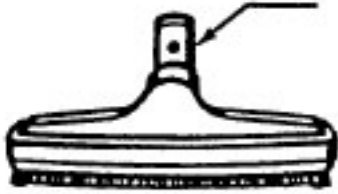
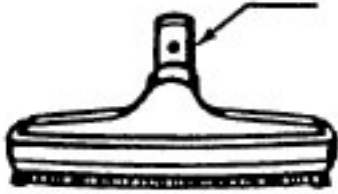



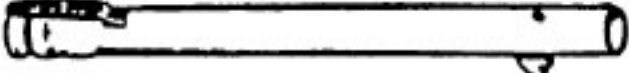
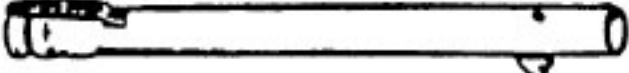
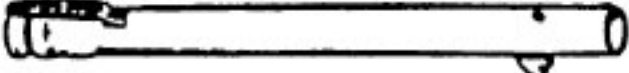
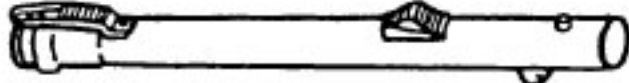
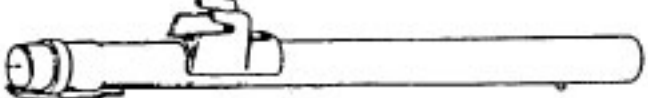
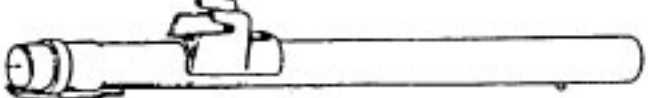
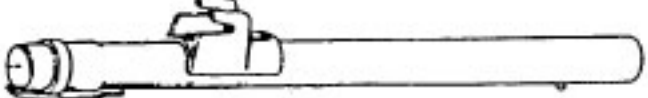

Models S3603, S3603-040, S3609,
S3610, S3613, S3614, S3630, S3639,
S3640, S3646, S3646-020, S3636-050



Ref. No.	Part No.	Description
1	43433110	Hose Assem. - 2W - AG - S3603, S3603-040, S3610, S3613
	43433116	Hose Assem. - 2W - AG - S3614, S3630, S3639, S3646, S3646-020, S3636-050
2	36153038	Hose Release Latch
3	39461018	Hose Grip - RH - AG
4	21447124	Screw - Self Tapping (4)
5	27613002	Splice (2)
	31712006	Insulating Sleeve (2)
6	36131087	Retaining Ring - ABR
7	18972	Insulated Terminal
8	36913030	Insulator
9	39461017	Hose Grip - LH - AG
10	47551011	Grip Control Panel Assem.
	47551031	Grip Control Panel Assem. (Inc. items 7, 13)
	51375132	Nameplate - Grip Control Panel
11	36153029	Latch Ring -AG
12	38646081	Inner Tube - AG
13	46526004	Connector - BZ
14	36152029	Plug Latch - AG
	40300051	Cord Repair Kit - 2W

Ref. No.	Part No.	Description
1	43433098	Hose Assem. - 3W - S3640
2	36153038	Hose Release Latch
3	39461016	Hose Grip - RH - ABR
4	21447124	Screw - Self Tapping (4)
5	27613002	Splice (3)
	31712006	Insulating Sleeve (3)
6	36131087	Retaining Ring - ABR
7	18972	Insulated Terminal
8	36913030	Insulator
9	28267001	Switch
10	39461015	Hose Grip - LH - ABR
11	47551013	Grip Control Panel Assem. (Incl. items 7,9)
	51375133	Nameplate - Grip Control Panel
12	36153029	Latch Ring - AG
13	38646034	Inner Tube - AG
14	46526004	Connector
15	36152029	Plug Latch - AG
	40300052	Cord Repair Kit - 3W

Cleaning Tools - Futura, Spectrum, Dimension, WindTunnel

	38617017	Crevice Tool - AG
	43414057	Furniture Nozzle - AG
	43414141	Furniture Nozzle - ABR
	43414064	Dusting Brush - AG
	38644020	Swivel Connector - AG
	38644040	Swivel Connector - AAP
	43414073	Floor Brush - AG
	48447001	Brush Back
	36172584	Cord/Wand Clip
	43453052	Ext. Tube - 20 - AX
	43453027	Ext. Tube
	43453058	Ext. Tube - BL 20 w/o Cord Clip
	43453023	Ext. Tube - AX 20
	43453095	Ext. Tube - AX 20 (Black Storage Clip) (Spectrum)
	43453098	Ext. Tube - AX 20 (Gray Storage Clip) (Futura)
	43453099	Ext. Tube - AX 20 (Black Storage Clip) (WindTunnel Canister)
	3863801P	Extension Tube - Poly - AG