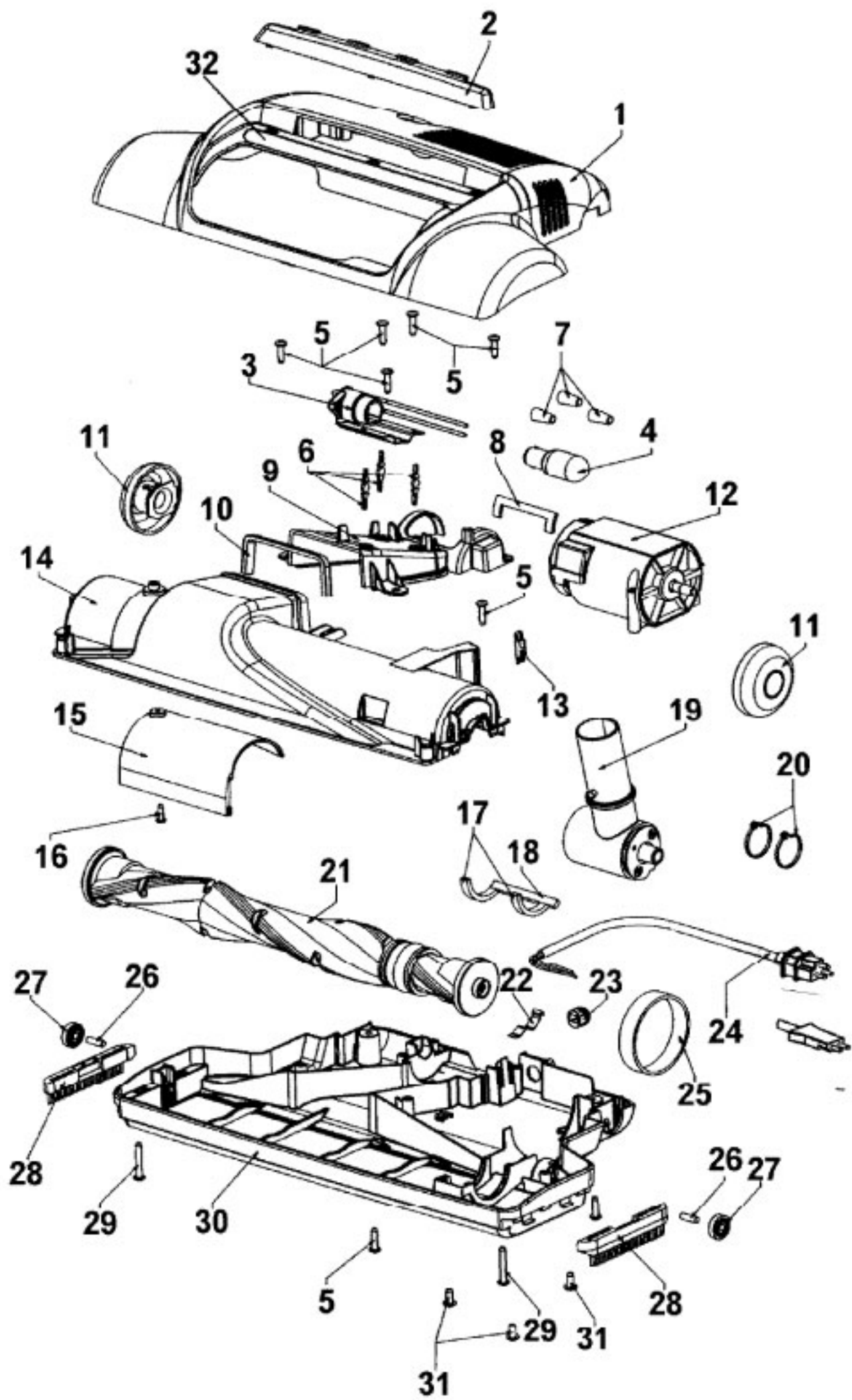


Model Number: S3641---
BOM/Serial #: S3641---
Graphic Title: CORDREEL, MAINHOUSING

| Image | Key | Part Number | Description | Substitution | Qty. |
|-------|-----|-------------|-------------------------------|--------------|------|
| 1 | 1 | 37215182 | TOOL LID-S3639/49/61 | | 1 |
| 1 | 2 | 21447217 | SCREW-SELF TAPPING | | 7 |
| 1 | 3 | 38314024 | SPRING-FW-S3605 | | 1 |
| 1 | 4 | 41426144 | MOTOR COVER-ADJ-S363 | | 1 |
| 1 | 4 | 41426130 | MOTOR COVER ASSM-AG- | | 1 |
| 1 | 4 | 41426146 | MOTOR COVER-ACL-S366 | | 1 |
| 1 | 5 | 41312040 | MOTOR RETAINER ASSEM | 41312042 | 1 |
| 1 | 5 | 41312048 | MOTOR RETAINER ASSEM | | 1 |
| 1 | 6 | 34633003 | RETAINER SEAL-RH-S35 | | 1 |
| 1 | 8 | 27479307 | CABLE TIE | | 1 |
| 1 | 9 | 36235069 | FURNITURE GUARD-AG-S | | 1 |
| 1 | 10 | 36322031 | MOTOR MOUNT | | 1 |
| 1 | 11 | 43576192 | MOTOR-WT CANISTERS | 43576190 | 1 |
| 1 | 12 | 41426154 | MOTOR COVER-AEF-S364 | | 1 |
| 1 | 12 | 34174012 | EXHAUST FILTER | | 1 |
| 1 | 12 | 48438199 | POWER NOZZLE-AEF-S36 | | 1 |
| 1 | 12 | 42217193 | BAG LID-AEF-S3641 | | 1 |
| 1 | 12 | 49129020 | TURBINE HND TOOL-AFX | | 1 |
| 1 | 13 | 012227-- | TERMINALS-0513 | | 2 |
| 1 | 14 | 018972-- | TERMINAL-INSULATED-U | | 2 |
| 1 | 14 | 56513365 | OWNER MANUAL-S3641 | | 1 |
| 1 | 15 | 38769019 | EXHAUST FILTER CASSE | | 1 |
| 1 | 16 | 21378160 | TOC RETAINING CLIP-S | | 1 |
| 1 | 17 | 28382085 | THERMAL PROTECTOR-S3 | | 1 |
| 1 | 18 | ---- | NOT REQUIRED PART OR SEE NOTE | | 1 |
| 1 | 19 | ---- | NOT REQUIRED PART OR SEE NOTE | | 1 |
| 1 | 20 | ---- | NOT REQUIRED PART OR SEE NOTE | | 1 |
| 1 | 21 | ---- | NOT REQUIRED PART OR SEE NOTE | | 1 |
| 1 | 22 | ---- | NOT REQUIRED PART OR SEE NOTE | | 1 |
| 1 | 23 | ---- | NOT REQUIRED PART OR SEE NOTE | | 1 |
| 1 | 24 | ---- | NOT REQUIRED PART OR SEE NOTE | | 1 |
| 1 | 25 | ---- | NOT REQUIRED PART OR SEE NOTE | | 1 |
| 1 | 26 | 46383288 | ATTACHMENT CORD-AG-S | 90001033 | 1 |
| 1 | 27 | 36218018 | FERRULE | | 1 |
| 1 | 28 | ---- | NOT REQUIRED PART OR SEE NOTE | | 1 |

| Image | Key | Part Number | Description | Substitution | Qty. |
|-------|-----|-------------|-------------------------------|--------------|------|
| 1 | 29 | ---- | NOT REQUIRED PART OR SEE NOTE | | 1 |
| 1 | 30 | ---- | NOT REQUIRED PART OR SEE NOTE | | 1 |
| 1 | 31 | ---- | NOT REQUIRED PART OR SEE NOTE | | 1 |
| 1 | 32 | 38522065 | WHEEL-AG-S3585 | | 2 |
| 1 | 33 | 42215007 | MAIN BODY-ACL-S3661 | | 1 |
| 1 | 33 | 42215006 | MAIN BODY-ADJ-S3639 | | 1 |
| 1 | 33 | 42215003 | MAIN BODY-S3630/46/5 | | 1 |
| 1 | 34 | 46526015 | RECEPTACLE ASSEMBLY- | | 1 |
| 1 | 34 | 46326082 | RECEPTACLE ASSEM-AG- | | 1 |
| 1 | 35 | 41432040 | WHEEL CARRIER-AG-S32 | | 1 |
| 1 | 35 | 38521036 | WHEEL-AG | | 1 |
| 1 | 36 | 21447223 | SCREW-SELF TAPPING | | 1 |
| 1 | 37 | 36218020 | CORD CHANNEL COVER-A | | 1 |
| 1 | 38 | 36424010 | BAG COLLAR SUPPORT | | 1 |
| 1 | 39 | 4010100S | ALLER FILT BAG S | | 1 |
| 1 | 40 | 51151028 | BAG INDICATOR-S3661 | | 1 |
| 1 | 41 | 36424012 | BAG COLLAR SEAL-AG | | 1 |
| 1 | 42 | 36151027 | BAG LID HINGE | | 2 |
| 1 | 43 | 37944005 | FILTER RETAINER | | 1 |
| 1 | 44 | 38765009 | SECONDARY FILTER | | 1 |
| 1 | 45 | 42217184 | BAG LID-ADK-S3639 | | 1 |
| 1 | 45 | 42217186 | BAG LID-AED-S3649 | | 1 |
| 1 | 45 | 42217185 | BAG LID-ADX-S3661 | | 1 |
| 1 | 46 | 38351009 | TORSION SPRING | | 1 |
| 1 | 47 | 36153040 | BAG LID LATCH-AG-S35 | | 1 |
| 1 | 48 | 34633002 | RETAINER SEAL-LH | | 1 |
| 1 | 49 | 21466732 | SCREW - SELF TAPPING | | 1 |
| 1 | 50 | 34123040 | RETAINER SEAL-CENTER | | 1 |
| 1 | 51 | ---- | NOT REQUIRED PART OR SEE NOTE | | 1 |
| 1 | 52 | 28218048 | SWITCH-F5805/15/25 | 90001106 | 1 |
| 1 | 53 | ---- | NOT REQUIRED PART OR SEE NOTE | | 1 |
| 1 | 54 | 27617106 | CONNECTOR-S3585,95 | | 1 |
| 1 | 55 | 37941043 | RHEOSTAT COVER-AG-S3 | | 1 |
| 1 | 56 | 38314026 | SPRING-S3523 | | 1 |
| 1 | 57 | 23762005 | PLUG - S3575 | | 1 |
| 1 | 57 | 27343250 | POWER LIGHT-S3609,15 | | 1 |
| 1 | 58 | 38458034 | CORD REEL BRAKEARM-A | | 1 |
| 1 | 59 | 38422184 | SWITCH PEDAL W/O POS | | 1 |

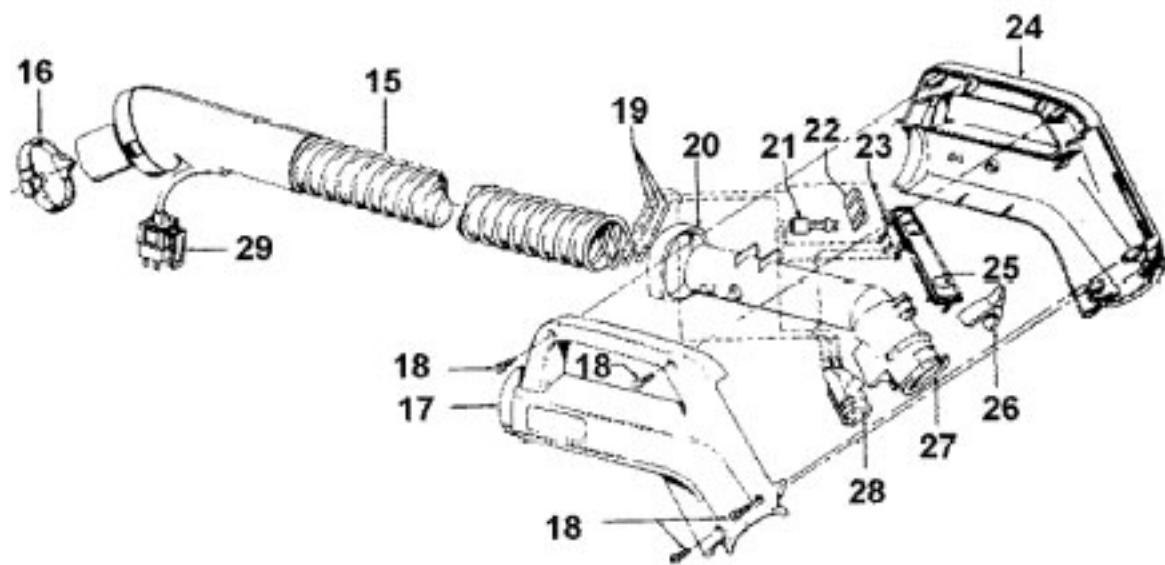
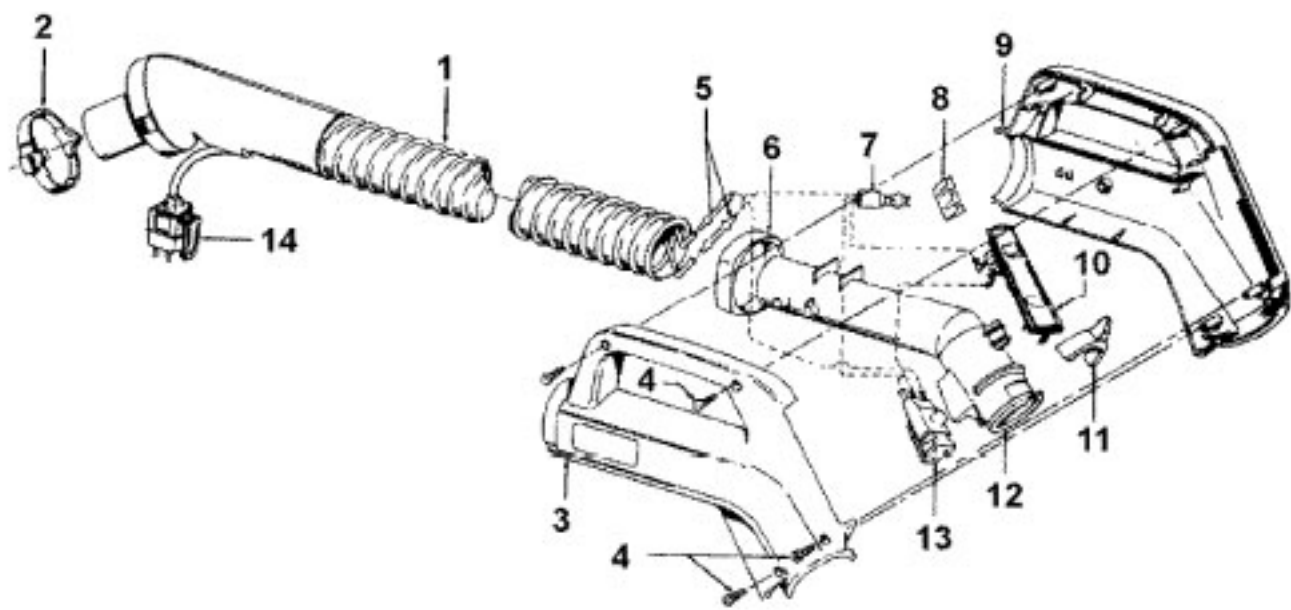
| Image | Key | Part Number | Description | Substitution | Qty. |
|-------|-----|-------------|----------------------|--------------|------|
| 1 | 60 | 38422155 | CORD REEL PEDAL-AG-S | | 1 |
| 1 | 61 | 21378159 | SPEED CLIP-S3603,09, | | 2 |
| 1 | 62 | 41911014 | CORD REEL ASSEMBLY | | 1 |
| 1 | 63 | 58211012 | BOTTOM SUPPORT - REA | | 1 |
| 1 | 63 | 58211011 | BOTTOM SUPPORT - FRO | | 1 |
| 1 | 63 | 40200013 | TURBINE HAND TOOL | | 1 |
| 1 | 63 | 56513357 | OWNER MANUAL-S3649 | | 1 |
| 1 | 63 | 56513356 | OWNER MANUAL-S3639/6 | | 1 |
| 1 | 63 | 49129009 | TURBINE HAND TOOL | | 1 |
| 1 | 64 | 43453023 | EXTENSION TUBE-AX-20 | | 1 |
| 1 | 64 | 43453099 | EXT. TUBE-AX-20-W/CL | | 1 |
| 1 | 64 | 43453052 | EXT TUBE-20-AX | | 1 |
| 1 | 64 | 43414073 | FLOOR BRUSH-AG-S3273 | | 1 |
| 1 | 64 | 43414064 | DUSTING BRUSH-AG | | 1 |
| 1 | 64 | 43414057 | FURNITURE NOZZLE-AG- | | 1 |
| 1 | 64 | 38617017 | CREVICE TOOL-AG -S32 | | 1 |
| 1 | 65 | 43433116 | HOSE-S3630/46 | 43433110 | 1 |
| 1 | 65 | 48438198 | POWER NOZZLE-ADJ | | 1 |
| 1 | 65 | 48438204 | POWER NOZZLE-AG-S364 | | 1 |
| 1 | 65 | 48438208 | POWER NOZZLE-ACL | | 1 |
| 1 | 65 | 43433119 | Hose-3W-AG | | 1 |



Model Number: S3641---
BOM/Serial #: S3641---
Graphic Title: POWEREDNOZZLE, AGITATOR

| Image | Key | Part Number | Description | Substitution | Qty. |
|-------|-----|-------------|-------------------------|--------------|------|
| 1 | 1 | 37253310 | HOOD-S3630 | | 1 |
| 1 | 1 | 48438273 | POWER NOZZLE-ABE | 90001384 | 1 |
| 1 | 1 | 48438268 | POWER NOZZLE-S363605 | 48438204 | 1 |
| 1 | 1 | 37253311 | HOOD ASSEMBLY | 37253A17 | 1 |
| 1 | 1 | 37253314 | Hood-ACM | | 1 |
| 1 | 1 | 37253330 | HOOD-S3639 | | 1 |
| 1 | 1 | 37253331 | HOOD-S3661 | | 1 |
| 1 | 2 | 39383105 | DIRT FINDER LENS | | 1 |
| 1 | 3 | 47171020 | DIRT FINDER SOCKET | | 1 |
| 1 | 4 | 27317307 | DIRT FINDER LAMP | | 1 |
| 1 | 5 | 21447003 | SCREW | | 8 |
| 1 | 6 | 36218016 | GROMMET | | 1 |
| 1 | 7 | 27618508 | WIRE CONNECTOR | | 1 |
| 1 | 8 | 34253018 | REAR SEAL | | 1 |
| 1 | 9 | 37243031 | DUCT COVER | | 1 |
| 1 | 10 | 34113008 | SEAL | | 1 |
| 1 | 11 | 43244043 | WHEEL/AXLE ASSEMBLY | 90001395 | 1 |
| 1 | 12 | 37253A17 | PWER NOZZLE HOOD-AEF | | 1 |
| 1 | 12 | 48438199 | POWER NOZZLE-AEF-S36 | | 1 |
| 1 | 12 | 43177062 | MOTOR ASSEMBLY COMPL | 90001369 | 1 |
| 1 | 13 | 013261AY | RIB SHOES | | 1 |
| 1 | 14 | 37243029 | AGITATOR COVER | | 1 |
| 1 | 15 | 37243030 | DUCT COVER | | 1 |
| 1 | 16 | 21479449 | SCREW | | 1 |
| 1 | 17 | 34122014 | SEAL | | 1 |
| 1 | 18 | 34112007 | SEAL | | 1 |
| 1 | 19 | 43482106 | ASSY., NOZZLE CONNECTOR | | 1 |
| 1 | 20 | 27479307 | CABLE TIE | | 1 |
| 1 | 21 | 48414084 | AGITATOR-SERVICE | | 1 |
| 1 | 22 | 35276008 | DETENT SPRING | | 1 |
| 1 | 23 | 163768-- | STRAIN RELIEF - 6460 | | 1 |
| 1 | 24 | 46521021 | POWER NOZZLE CORD-AG | | 1 |
| 1 | 25 | 38528036 | BELT-CONQUEST/PN-WT | | 1 |
| 1 | 26 | 31522004 | WHEEL SHAFT | | 1 |
| 1 | 27 | 32761001 | WHEEL | | 1 |

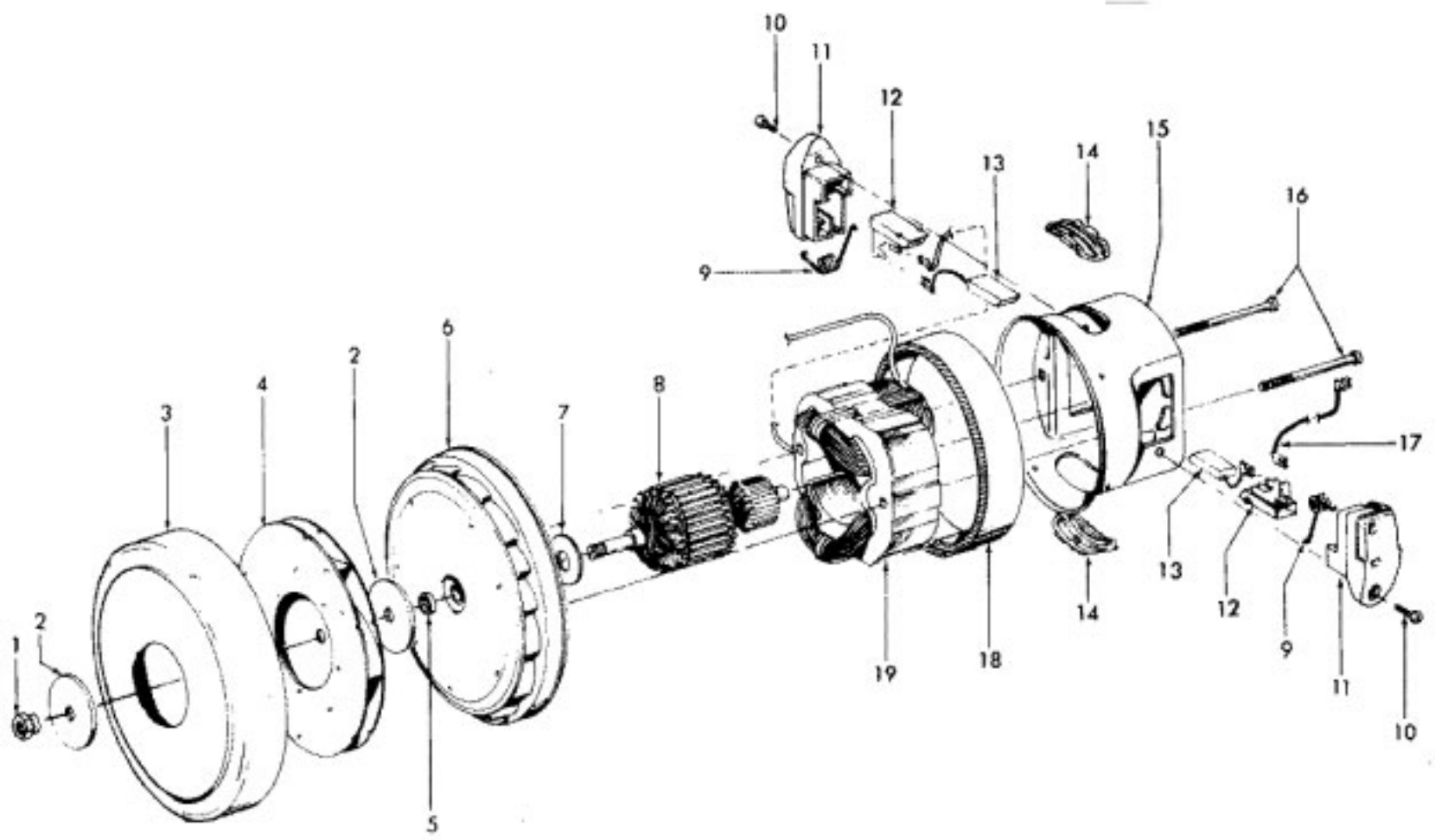
| Image | Key | Part Number | Description | Substitution | Qty. |
|-------|-----|-------------|--------------------|--------------|------|
| 1 | 28 | 39511004 | LITTER PICKER | | 1 |
| 1 | 29 | 21447236 | SCREW | | 1 |
| 1 | 30 | 37245053 | BASE PLATE | | 1 |
| 1 | 31 | 21479801 | SCREW-SELF TAPPING | | 1 |
| 1 | 32 | 51669083 | NAMEPLATE-S3655 | | 1 |
| 1 | 32 | 51669082 | NAMEPLATE-S3630 | | 1 |
| 1 | 45 | 37253332 | HOOD-S3636-050 | | 1 |



Model Number: S3641---
BOM/Serial #: S3641---
Graphic Title: HOSE

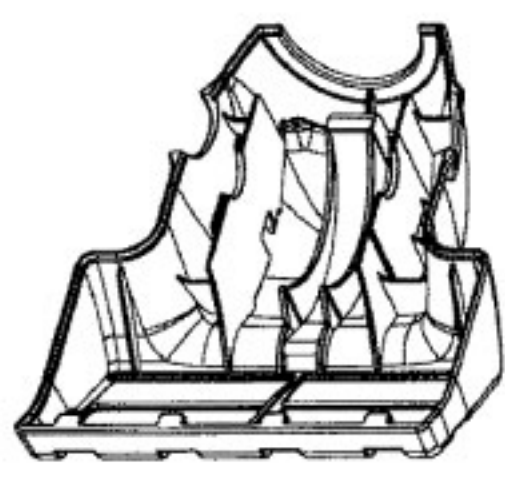
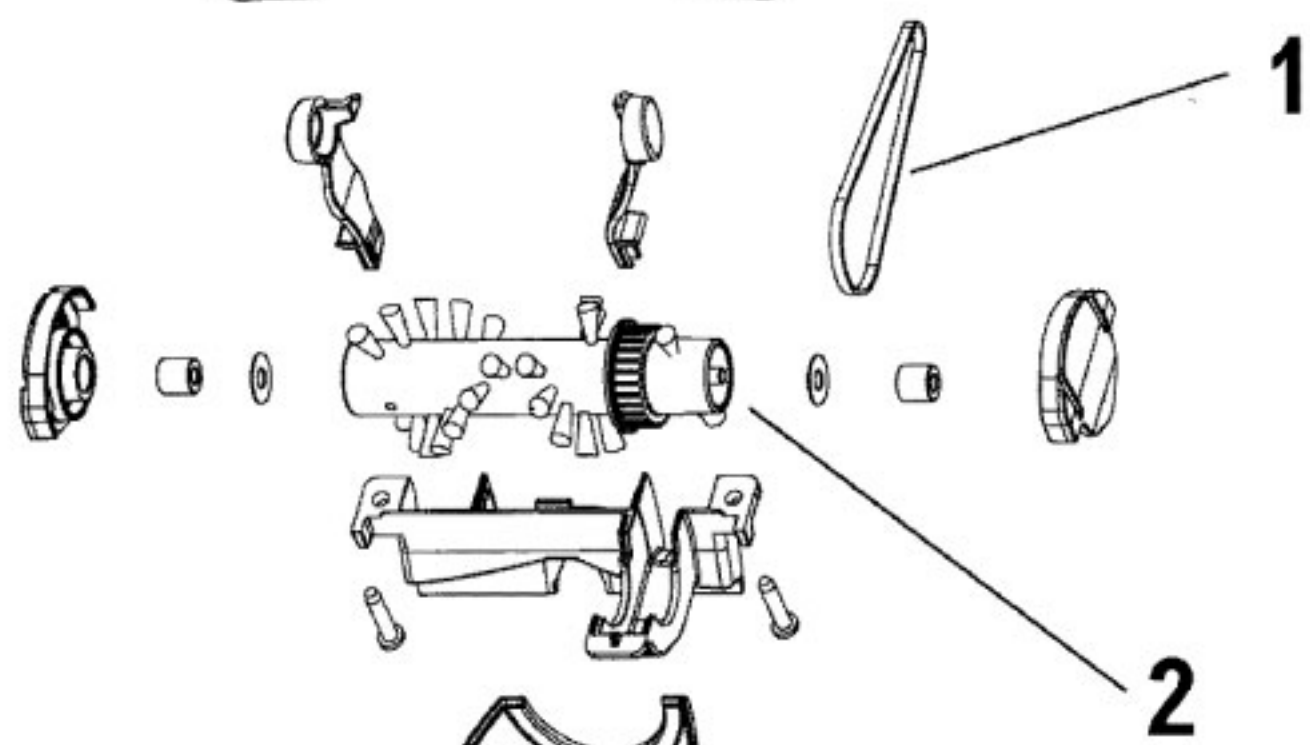
| Image | Key | Part Number | Description | Substitution | Qty. |
|-------|-----|-------------|----------------------|--------------|------|
| 1 | 1 | 43433110 | HOSE -2W-AG | | 1 |
| 1 | 1 | 43433116 | HOSE-S3630/46 | 43433110 | 1 |
| 1 | 2 | 36153038 | HOSE RELEASE LATCH-A | | 1 |
| 1 | 3 | 39461014 | HOSE GRIP-RH-ABR-S36 | 39461018 | 1 |
| 1 | 3 | 39461018 | HOSE GRIP-RH-AG | | 1 |
| 1 | 4 | 21447124 | SCREW-S3279 | | 4 |
| 1 | 5 | 31712006 | INSULATING SLEEVE-S3 | | 2 |
| 1 | 5 | 27613002 | SPLICE - CCS | | 2 |
| 1 | 6 | 36131087 | RETAINING RING-ABR | | 1 |
| 1 | 7 | 018972-- | TERMINAL-INSULATED-U | | 1 |
| 1 | 8 | 36913030 | INSULATOR-S3603,09,1 | | 1 |
| 1 | 9 | 39461017 | HOSE GRIP-LH-AG-S361 | | 1 |
| 1 | 9 | 39461013 | HOSE GRIP-LH-S3603 | 39461017 | 1 |
| 1 | 10 | 47551031 | GRIP CONTROL PANEL-A | | 1 |
| 1 | 10 | 51375132 | NAMEPLATE-GRIPCONTRO | | 1 |
| 1 | 10 | 47551011 | GRIP CONTROL PANEL A | 47551031 | 1 |
| 1 | 11 | 36153029 | LATCH RING-S3279 | | 1 |
| 1 | 12 | 38646081 | INNER TUBE - AG | | 1 |
| 1 | 12 | 38646044 | INNER TUBE-AG-S3575 | 38646081 | 1 |
| 1 | 13 | 46526004 | CONNECTOR-S3603,09,1 | | 1 |
| 1 | 14 | 40300051 | CORD REPAIR KIT-SPEC | | 1 |
| 1 | 14 | 36152029 | PLUG LATCH-AG-S3603- | | 1 |
| 1 | 15 | 43433098 | HOSE ASSEM. - S3609 | | 1 |
| 1 | 16 | 36153038 | HOSE RELEASE LATCH-A | | 1 |
| 1 | 17 | 39461016 | HOSE GRIP-RH-ABR-S36 | | 1 |
| 1 | 18 | 21447124 | SCREW-S3279 | | 4 |
| 1 | 19 | 31712006 | INSULATING SLEEVE-S3 | | 3 |
| 1 | 19 | 27613002 | SPLICE - CCS | | 3 |
| 1 | 20 | 36131087 | RETAINING RING-ABR | | 1 |
| 1 | 21 | 018972-- | TERMINAL-INSULATED-U | | 1 |
| 1 | 22 | 36913030 | INSULATOR-S3603,09,1 | | 1 |
| 1 | 23 | 28267001 | SWITCH - S3609,15 | | 1 |
| 1 | 24 | 39461015 | HOSE GRIP-LH-ABR-S36 | | 1 |
| 1 | 25 | 51375133 | NAMEPLATE-GRIP CONTR | | 1 |
| 1 | 25 | 47551013 | GRIP CONTROL PANEL A | | 1 |

| Image | Key | Part Number | Description | Substitution | Qty. |
|-------|-----|-------------|----------------------|--------------|------|
| 1 | 26 | 36153029 | LATCH RING-S3279 | | 1 |
| 1 | 27 | 38646034 | INNER TUBE-S3279 | | 1 |
| 1 | 28 | 46526004 | CONNECTOR-S3603,09,1 | | 1 |
| 1 | 29 | 36152029 | PLUG LATCH-AG-S3603- | | 1 |
| 1 | 29 | 40300052 | CORD REPAIR KIT-SPEC | | 1 |



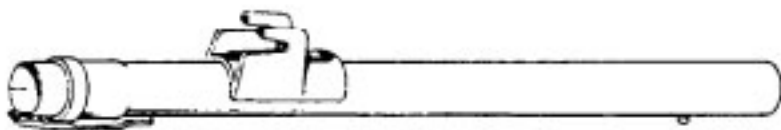
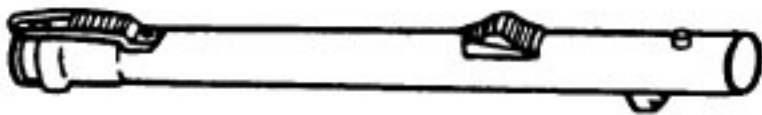
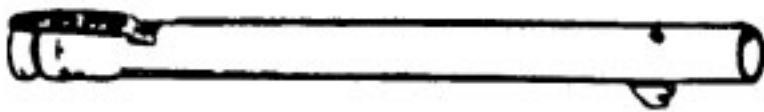
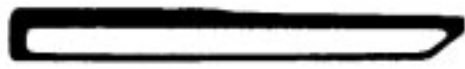
Model Number: S3641---
BOM/Serial #: S3641---
Graphic Title: MOTOR ASSEMBLY

| Image | Key | Part Number | Description | Substitution | Qty. |
|-------|-----|-------------|----------------------|--------------|------|
| 1 | 1 | 43576192 | MOTOR-WT CANISTERS | 43576190 | 1 |
| 1 | 1 | 43576184 | MOTOR ASSEMBLY | 43576115 | 1 |
| 1 | 1 | 012028-- | NUT | | 1 |
| 1 | 2 | 21312774 | WASHER | | 2 |
| 1 | 3 | 37196065 | FAN COVER - S1311 | | 1 |
| 1 | 4 | 43551008 | FAN | | 1 |
| 1 | 5 | 31148009 | SPACER -C2075 | | 1 |
| 1 | 5 | 31148011 | BEARING SPACER | | 1 |
| 1 | 6 | 43551029 | DIFFUSER ASSEMBLY CO | | 1 |
| 1 | 7 | 31165003 | BEARING RETAINER PLA | | 1 |
| 1 | 8 | 44765241 | ARMATURE-S3630/46/55 | | 1 |
| 1 | 8 | 44765138 | ARMATURE ASSEM COMP- | | 1 |
| 1 | 9 | 38353004 | SPRING U3101/3 U4201 | | 2 |
| 1 | 10 | 21429406 | SCREW S3057-59-61 | | 2 |
| 1 | 11 | 167696AG | BRUSH HOUSING-ONLY-S | | 2 |
| 1 | 12 | 47318008 | BRUSH CARRIER ASSM-U | | 1 |
| 1 | 13 | 167681-- | CARBON BRUSH & TERM- | | 2 |
| 1 | 13 | 47315011 | MOTOR BRUSH-S3630/46 | | 2 |
| 1 | 14 | 169702BZ | WIRE PROTECT BUSHING | | 2 |
| 1 | 15 | 42193025 | MOTOR HOUSING ASSM-S | | 1 |
| 1 | 16 | 21447222 | FIELD LAMINATION BOL | | 2 |
| 1 | 16 | 21479573 | SCREW | | 2 |
| 1 | 16 | 36112006 | FIELD LAMINATION BOL | | 2 |
| 1 | 17 | 46176001 | LEAD WIRE ASSEMBLY - | | 1 |
| 1 | 18 | 36322031 | MOTOR MOUNT | | 1 |
| 1 | 19 | 45311051 | FIELD COIL-S3205-022 | | 1 |



Model Number: S3641---
BOM/Serial #: S3641---
Graphic Title: TURBINEHANDTOOL

| Image | Key | Part Number | Description | Substitution | Qty. |
|-------|-----|-------------|----------------------|--------------|------|
| 1 | 1 | 40200013 | TURBINE HAND TOOL | | 1 |
| 1 | 1 | 49129009 | TURBINE HAND TOOL | | 1 |
| 1 | 1 | 48495AY- | THREAD GUARD LH | 048495AY | 1 |
| 1 | 1 | 38528037 | BELT-TURBINE HAND TL | | 1 |
| 1 | 2 | 48414088 | AGITATOR-TUR HD TOOL | | 1 |
| 1 | 2 | 43267002 | AGITATOR BEARING ASM | | 1 |
| 1 | 3 | 21347003 | CONICAL WASHER | | 1 |
| 1 | 4 | 36422001 | AGITATOR END U3101 | | 1 |
| 1 | 5 | 48445017 | AGIT BRUSH-CONCEPT-5 | | 1 |
| 1 | 6 | 41435018 | THREAD GUARD U3101/3 | | 1 |
| 1 | 7 | 38537008 | END PULLEY | | 1 |
| 1 | 8 | 48418001 | BRUSH RING-S3199 | | 1 |
| 1 | 9 | 31722019 | SPACER | | 1 |
| 1 | 10 | 32724005 | AGITATOR SHAFT | | 1 |
| 1 | 12 | 49129020 | TURBINE HND TOOL-AFX | | 1 |
| 1 | 18 | 38632012 | Connect-Tur Hd TI-Cn | | 1 |



Model Number: S3641---
BOM/Serial #: S3641---
Graphic Title: CLEANINGTOOLS

| Image | Key | Part Number | Description | Substitution | Qty. |
|-------|-----|-------------|----------------------|--------------|------|
| 1 | 1 | 38617017 | CREVICE TOOL-AG -S32 | | 1 |
| 1 | 2 | 43414141 | FURNITURE NOZZLE-ABR | | 1 |
| 1 | 2 | 43414057 | FURNITURE NOZZLE-AG- | | 1 |
| 1 | 3 | 43414064 | DUSTING BRUSH-AG | | 1 |
| 1 | 4 | 38644020 | SWIVEL CONNECTOR - A | | 1 |
| 1 | 4 | 38644040 | SWIVEL CONNECTOR - A | 38644020 | 1 |
| 1 | 5 | 43414073 | FLOOR BRUSH-AG-S3273 | | 1 |
| 1 | 6 | 48447001 | BRUSH BACK -S3273-S3 | | 1 |
| 1 | 7 | 36172584 | CORDWAND CLIP - AG | | 1 |
| 1 | 8 | 43453027 | EXTENSION TUBE ASSEM | | 1 |
| 1 | 8 | 43453052 | EXT TUBE-20-AX | | 1 |
| 1 | 8 | 43453058 | EXT TUBE - BL - 20 | 43453052 | 1 |
| 1 | 9 | 43453023 | EXTENSION TUBE-AX-20 | | 1 |
| 1 | 10 | 43453095 | EXTENSION TUBE-AX-20 | | 1 |
| 1 | 10 | 43453098 | EXTENSION TUBE-AX | | 1 |
| 1 | 10 | 43453099 | EXT. TUBE-AX-20-W/CL | | 1 |
| 1 | 11 | 3863801P | EXTENSION TUBE-AG-PO | | 1 |