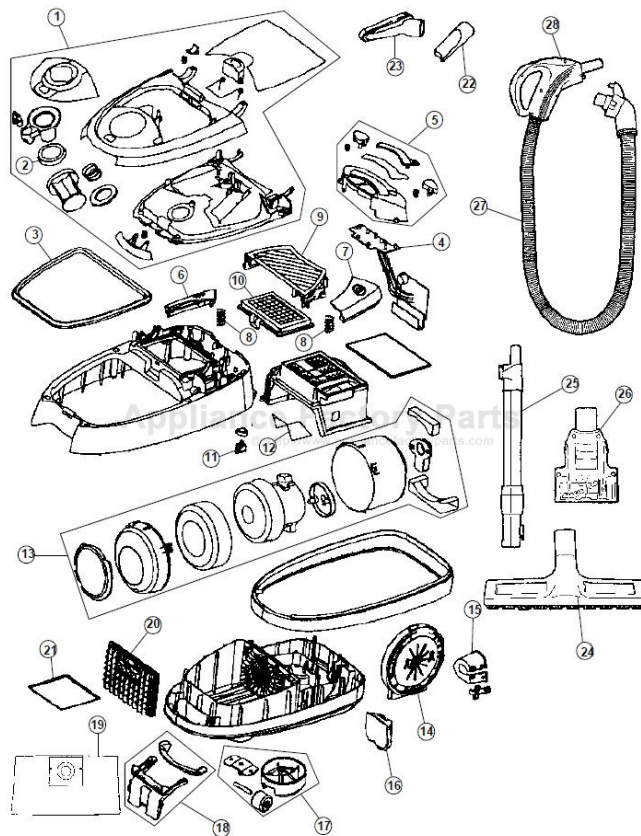


This Owner's Manual is provided and hosted by [Appliance Factory Parts](http://ApplianceFactoryParts.com).



# HOOVER S3670 Owner's Manual

[Shop genuine replacement parts for HOOVER S3670](#)



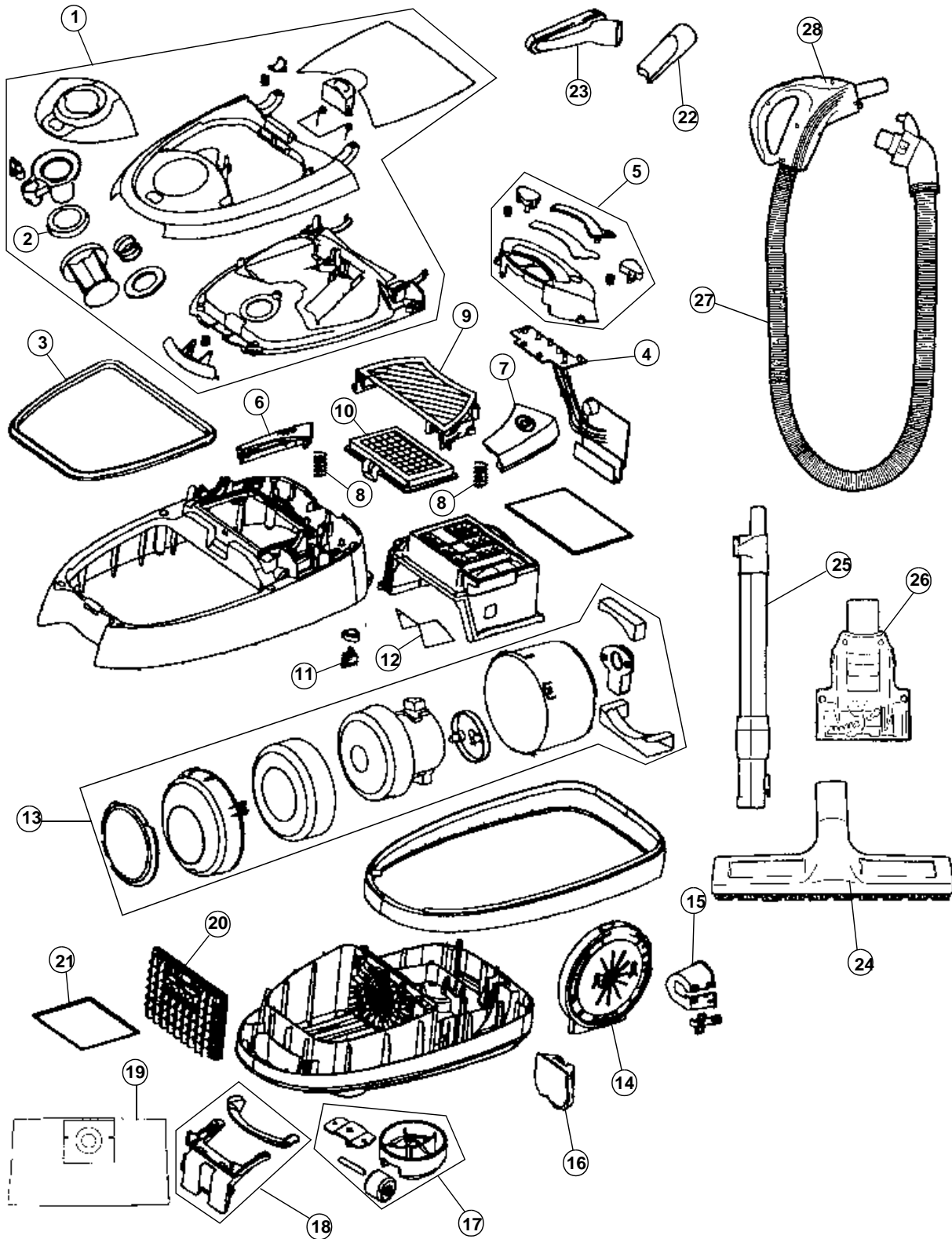
[Find Your HOOVER Vacuum Cleaner Parts - Select From 1455 Models](#)

----- Manual continues below -----



# WindTunnel Canister Cleaner

## ASSEMBLY SCHEMATIC



S3670



# WindTunnel Canister Cleaner

## PART LISTING

ITEM	PART NUMBER	MODELS To Fit	PART DESCRIPTION
1	59142044	S3670	BAG LID ASSEMBLY
2	59142030	S3670	SEAL - BAG COLLAR
3	59142031	S3670	SEAL - BAG LID
4	59142023	S3670	PCB ASSEMBLY WITH LED
5	59142024	S3670	DISPLAY COVER ASSEMBLY
6	59142025	S3670	SWITCH PEDAL
7	59142026	S3670	CORD REEL PEDAL
8	59142027	S3670	SPRING - SWITCH / CORD REEL PEDAL
9	59142028	S3670	EXHAUST FILTER COVER
10	59142013	S3670	EXHAUST FILTER ASSEMBLY
11	59142034	S3670	POWER SWITCH
12	59142032	S3670	SEAL - MOTOR COVER
13	59142015	S3670	MOTOR ASSEMBLY COMPLETE
14	59142033	S3670	CORD REEL ASSEMBLY
15	59142035	S3670	CORD GUIDE
16	59142018	S3670	HOLDER - WAND STORAGE
17	59142037	S3670	CASTER WHEEL ASSEMBY
18	59142017	S3670	BAG HOLDER
19	59138327	S3670	TYPE S BAG - HEPA
	4010808S	S3670	TYPE S BAG - 2 PACK HEPA
	4010100S	S3670	TYPE S BAG - 3 PACK ALLERGEN
20	59142016	S3670	FILTER RETAINER / HOLDER - INNER FILTER
21	59142009	S3670	INLET / SECONDARY FILTER
22	59142021	S3670	CREVICE TOOL
23	59142020	S3670	COMBINATION TOOL - DUSTING/FURNITURE
24	59142038	S3670	HARD FLOOR BRUSH ASSEMBLY
25	59142019	S3670	TELESCOPIC WAND ASSEMBLY
26	92001019	S3670	TURBINE HAND TOOL
27	59142012	S3670	HOSE ASSEMBLY
28	59142022	S3670	SWITCH AND WIRING HARNESS - HOSE

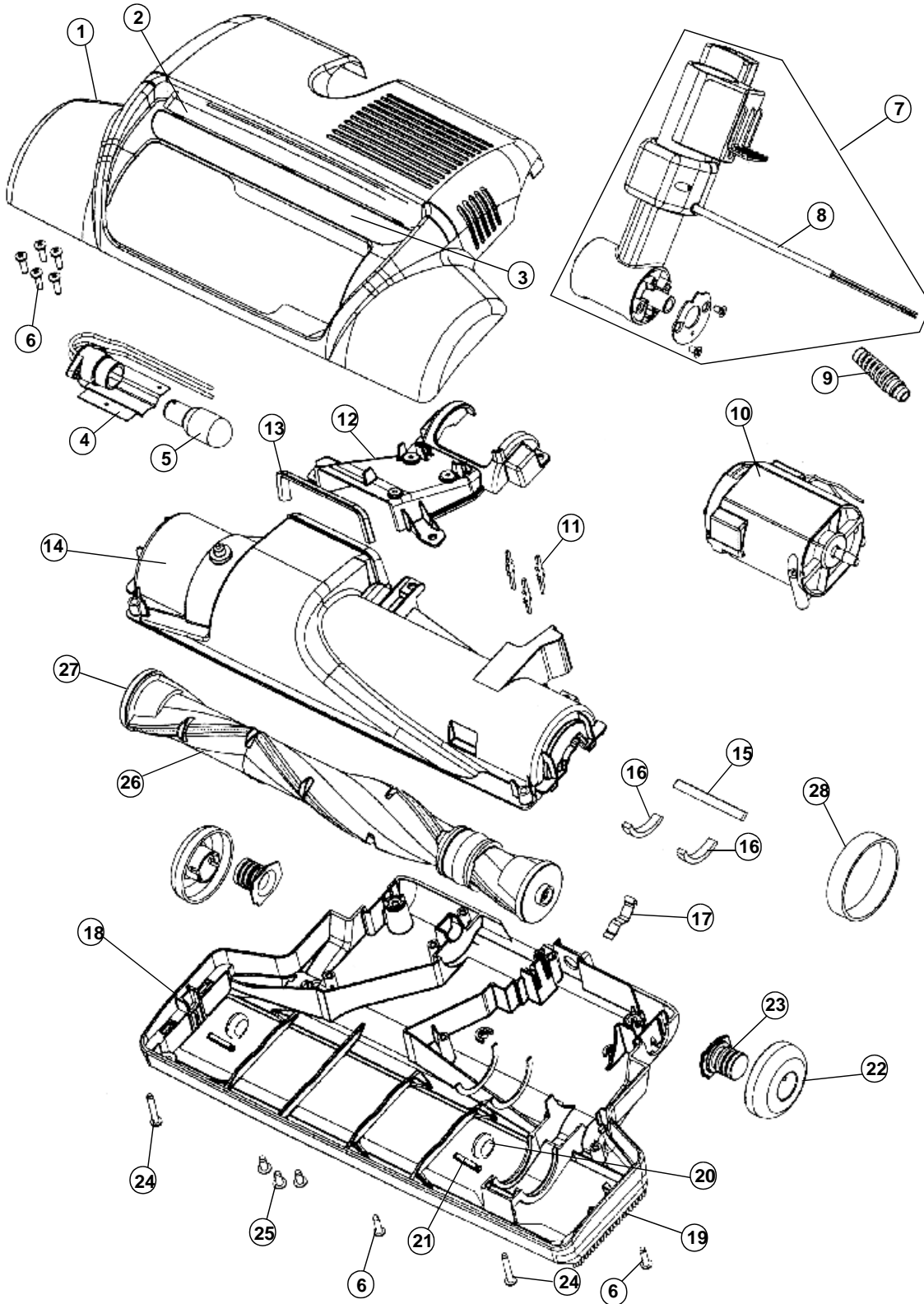
S3670



# WindTunnel Canister Cleaner

## ASSEMBLY SCHEMATIC

S3670





# WindTunnel Canister Cleaner

## PART LISTING

ITEM	PART NUMBER	MODELS To FIT	PART DESCRIPTION
1	37253A81	S3670	HOOD / NOZZLE COVER
2	39383142	S3670	DIRT FINDER LENS
3	51669095	S3670	NAME PLATE
4	47171020	S3670	SOCKET ASSEMBLY
5	27317307	S3670	LIGHT BULB
6	21447003	S3670	SCREW - SELF TAPPING
7	38464102	S3670	QUICK DISCONNECT ASSEMBLY
8		S3670	POWER CORD - QUICK DISCONNECT <b>ORDER 38464102</b>
9	27482146	S3670	STRAIN RELIEF
10	90001369	S3670	MOTOR ASSEMBLY
11	36218026	S3670	ISOLATION GROMMET
12	37243066	S3670	DUCT COVER
13	34113008	S3670	SEAL - DUCT COVER
14	37243067	S3670	BRUSH ROLL COVER ASSEMBLY
	37243030	S3670	DUCT COVER - BRUSH ROLL
	21479449	S3670	SCREW - BRUSH ROLL DUCT COVER
15	34112007	S3670	SEAL
16	34122014	S3670	SEAL
17	35276008	S3670	DETENT SPRING
18	37245104	S3670	BASE PLATE / NOZZLE GUARD ASSEMBLY
19	39511004	S3670	LITTER PICKER
20	32761001	S3670	FRONT WHEEL
21	31522004	S3670	SHAFT - FRONT WHEEL
22	38522100	S3670	REAR WHEEL
23	38511031	S3670	WHEEL BEARING
24	21447236	S3670	SCREW - SELF TAPPING
25	21479801	S3670	SCREW - SELF TAPPING
26	90001372	S3670	BRUSH ROLL ASSEMBLY - 15"
27	36422022	S3670	END CAPS - BRUSH ROLL
28	38528036	S3670	BELT
	48438299	S3670	POWER NOZZLE COMPLETE

S3670