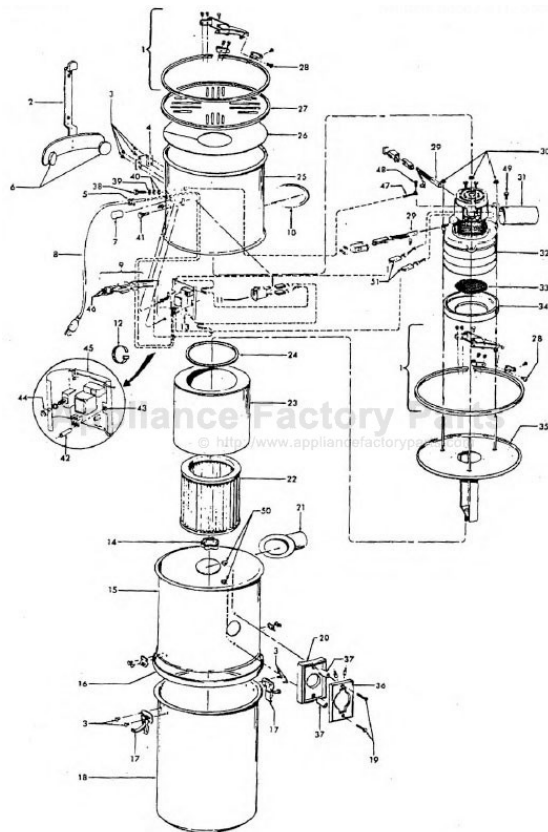


This Owner's Manual is provided and hosted by Appliance Factory Parts.



HOOVER S5567-011 Owner's Manual

[Shop genuine replacement parts for HOOVER
S5567-011](#)

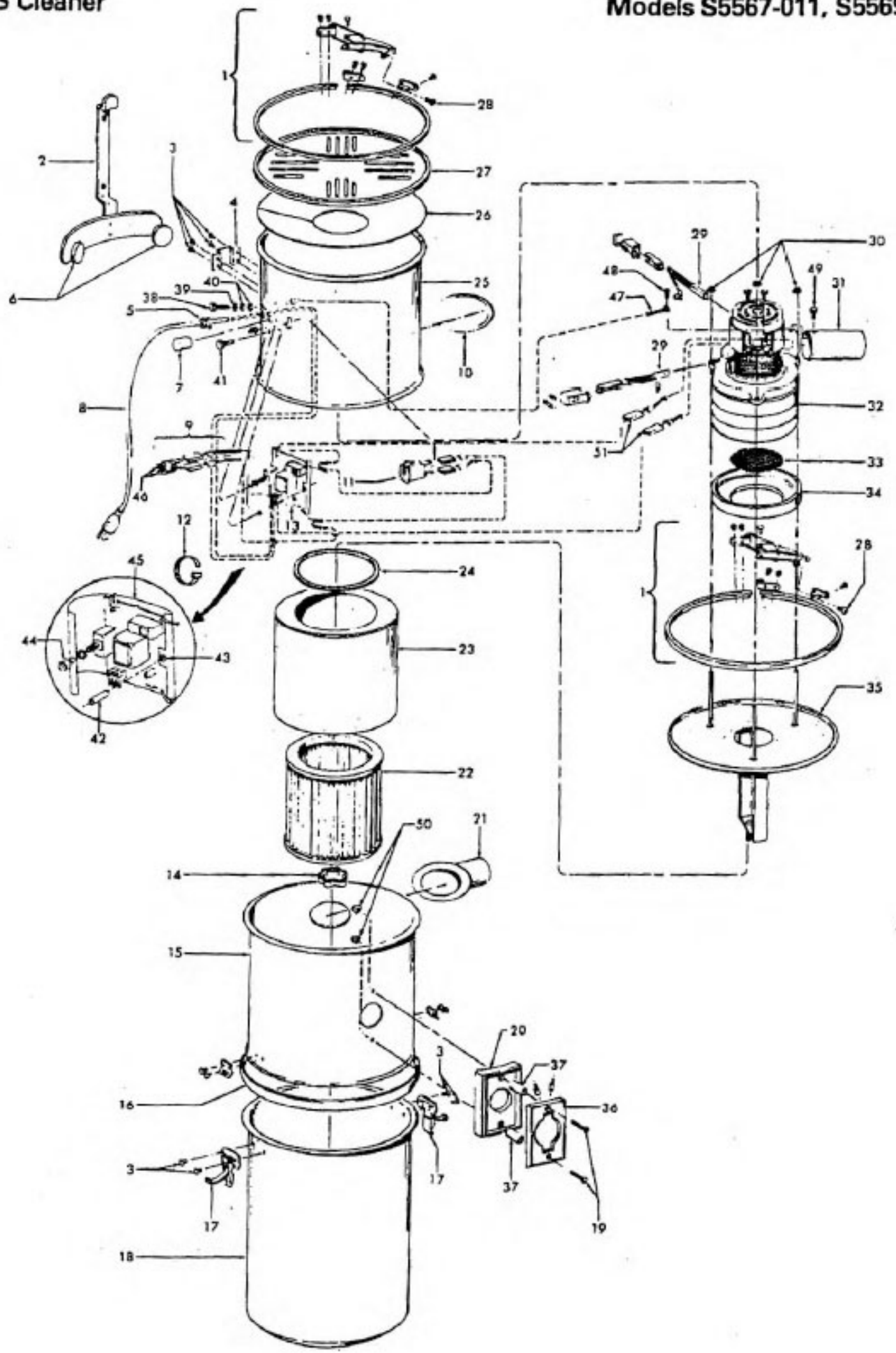


[Find Your HOOVER Vacuum Cleaner Parts - Select From 1456 Models](#)

----- Manual continues below -----

CVS Cleaner

Models S5567-011, S5569-011



C.V.S. Cleaner

Models S5567-011, S5569-011

| Ref. No. | Part No. | Description |
|----------|-----------|--|
| 1 | H41129031 | Clamp Ring Assm. (2) |
| 2 | H41947011 | Wall Mount Bracket |
| 3 | H12647EF | Rivet (8) |
| 4 | H34712003 | Bracket |
| 5 | H39049 | Strain Relief |
| 6 | H31113011 | Pad (2) |
| 7 | H23762511 | Low Voltage Cap |
| 8 | 46543024 | Cord |
| 9 | 27724050 | Terminal Bushing |
| 10 | 38783013 | Grommet |
| 11 | 28162014 | Switch Assm. |
| 12 | 27479307 | Wire Tie |
| 13 | 27135008 | Trans/Relay/Breaker PCB |
| 14 | 23718206 | Filter Retaining Knob |
| 15 | 43611034 | Filter Enclosure Assm. |
| 16 | 38784069 | Can Gasket |
| 17 | 23715191 | Can Latch (2) |
| 18 | 43641008 | Dust Container Assm. (w/Latches) - S5567-011 |
| | 43641009 | Dust Container Assm. (w/Latches) - S5569-011 |
| 19 | 21774007 | Screw (2) |
| 20 | 35143001 | Bezel - AAP |
| 21 | 25435010 | Intake Port |
| 22 | 38763006 | Filter |
| 23 | 37191018 | Deflector |
| 24 | 38783011 | Deflector Gasket |
| 25 | 42192067 | Motor Enclosure Assm. - S5567-011 |
| | 42192071 | Motor Enclosure Assm. - S5569-011 |
| 26 | 38763018 | Air Baffle - S5567-011 |
| | 38763019 | Air Baffle - S5569-011 |
| 27 | 42228003 | Top Cover Assm. |
| 28 | 160508 | Self Tapping Screw (2) |

| Ref. No. | Part No. | Description |
|----------|----------|---|
| 29 | 27292001 | Carbon Brush (2) - S5567-011 (Fit Lamb Motors Only) |
| | 27292002 | Carbon Brush (2) - S5569-011 (Fit Lamb Motors Only) |
| 30 | 21372203 | Speed Nut (3) |
| 31 | 31744024 | Exhaust Port |
| 32 | 43577005 | Motor Assm. - S5567-011 |
| | 43577014 | Motor Assm. - S5569-011 |
| 33 | 38763005 | Motor Screen |
| 34 | 38784050 | Gasket |
| 35 | 41427027 | Motor Filter Mount Assm. |
| 36 | 43526001 | Inlet Valve |
| 37 | 31742008 | Spacer (2) |
| 38 | N/A | Screw |
| 39 | 14856 | Lockwasher |
| 40 | 15854EF | Hex Nut (2) |
| 41 | 21416010 | Screw |
| 42 | 31733006 | Spacer |
| 43 | 37351 | Expansion Nut |
| 44 | 31324001 | Spacer |
| 45 | 34227012 | PCB. Barrier |
| 46 | 162133 | Terminal (2) |
| 47 | 46155016 | Lead Wire Green |
| 48 | 36695 | Screw |
| 49 | 21447216 | Screw |
| 50 | 21852107 | Lock Nut |
| 51 | 162130 | Insulating Pod (3) |

PACKAGING MATERIAL

| | |
|----------|--------------------|
| 58158005 | Carton - S5567-011 |
| 58158006 | Carton - S5569-011 |
| 56513299 | Owners Manual |
| 58254007 | Carton Liner |
| 58262004 | Bottom Support |