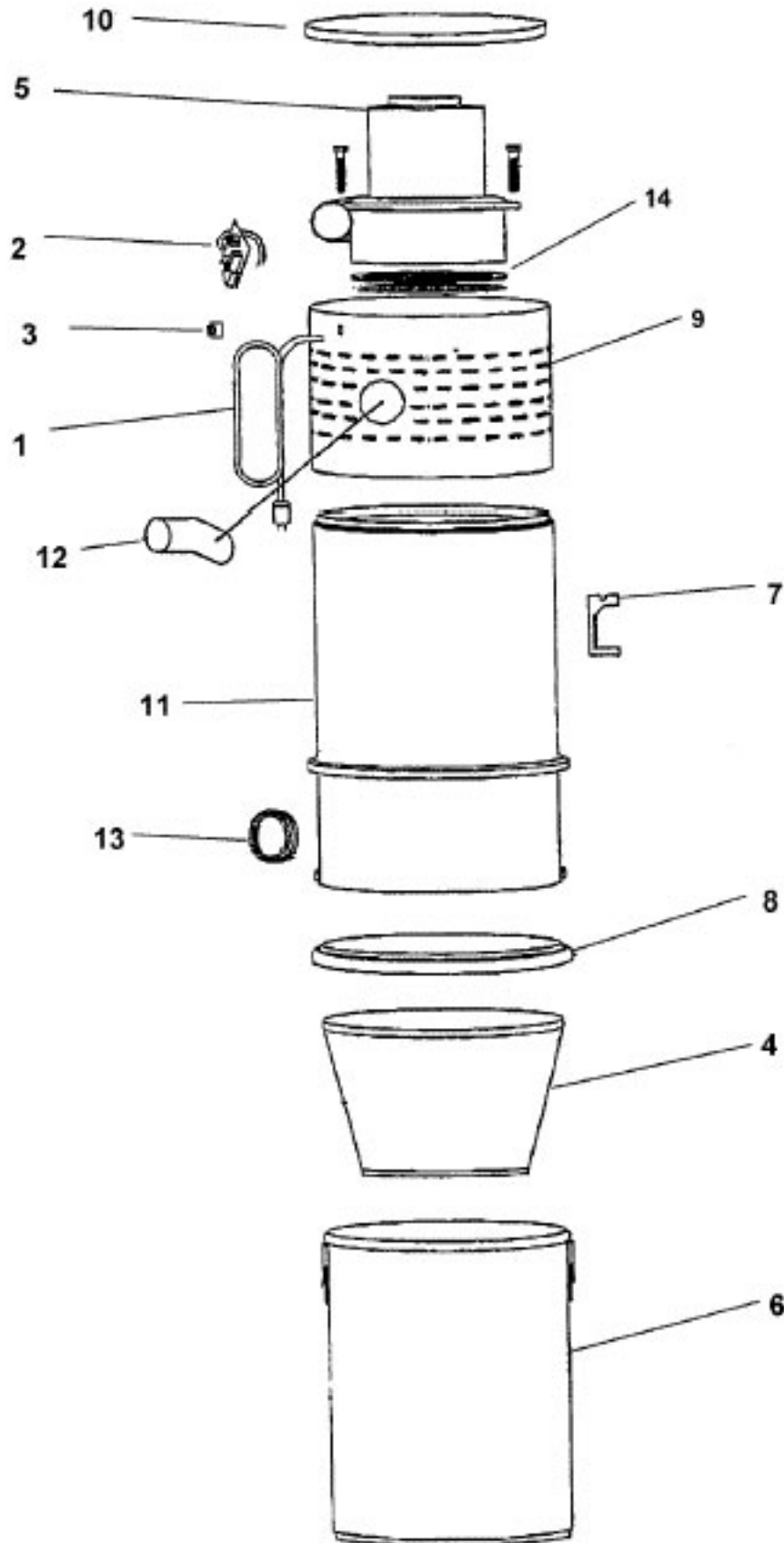


CENTRAL VACUUM SYSTEM

ASSEMBLY SCHEMATIC



S5615
S5626
S5636

CENTRAL VACUUM SYSTEM

PART LISTING

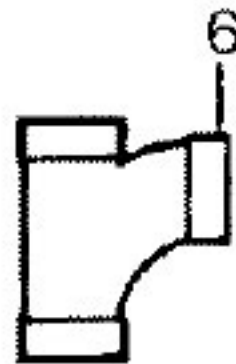
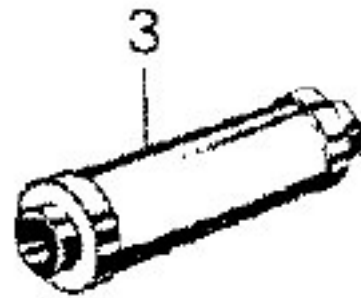
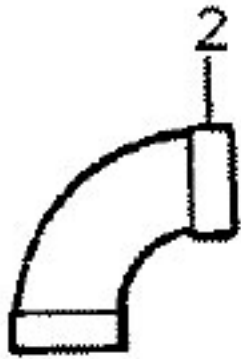
ITEM	PART NUMBER	MODELS TO FIT	PART DESCRIPTION
1	59132011	S5615, S5626, S5636	POWER CORD
2	59132006	S5615, S5626, S5636	CONTROL MODULE
3	59132005	S5615, S5626, S5636	ROCKER SWITCH
4	59132001	S5615	CLOTH FILTER - 11.5"
	93001205	S5626	CLOTH FILTER - 11.5"
	93001206	S5636	CLOTH FILTER - 14.5"
5	59132007	S5615	MOTOR - 2 STAGE
	59132008	S5626, S5638	MOTOR - 3 STAGE - 5.7" DIA
6	93001207	S5615, S5626	DUST CONTAINER - 11.5"
	93001208	S5636	DUST CONTAINER - 14.5"
7	59132022	S5615, S5626, S5636	WALL BRACKET
8	59132023	S5615, S5626	GASKET - 11.5"
	59132023	S5636	GASKET - 14.5"
9	93001744	S5615	SHROUD - HUSH 11.5"
	93001209	S5626	SHROUD - HUSH 11.5"
	93001210	S5636	SHROUD - HUSH 14.5"
10	93001211	S5615, S5626	CANISTER COVER - 11.5"
	93001212	S5636	CANISTER COVER - 14.5"
11	93001213	S5615, S5636	CANISTER BODY - 11.5"
	93001214	S5626	CANISTER BODY - 11.5"
	93001216	S5636	CANISTER BODY - 14.5"
12	59132038	S5615, S5626, S5636	TANGENTIAL ADAPTOR
13	59132039	S5615, S5626, S5636	INTAKE GROMMET
14	59132040	S5615, S5626, S5636	MOTOR GASKET - SMALL
	59644011	S5615, S5626, S5636	UTILITY VALVE / RETAINER RING
	93001218	S5615, S5626	SHROUD FOAM - HUSH 11"
	93001219	S5636	SHROUD FOAM - HUSH 14"

S5615
S5626
S5636

CENTRAL VACUUM SYSTEM

ASSEMBLY SCHEMATIC

S5615
S5626
S5636



CENTRAL VACUUM SYSTEM

PART LISTING / [

ITEM	PART NUMBER	MODELS TO FIT	PART DESCRIPTION
1	10096002	S5615, S5626, S5636	SPIGOT - 45 DEGREE
2	10096001	S5615, S5626, S5636	SWEEP SPIGOT - 90 DEGREE
3	10098001	S5615, S5626, S5636	VAC MUFFLER
4	43526007	S5615, S5626, S5636	INLET VALVE - WHITE
5	10129002	S5615, S5626, S5636	PIPE ADAPTOR
6	38681006	S5615, S5626, S5636	SWEEP TEE - 90 DEGREE

S5615
S5626
S5636