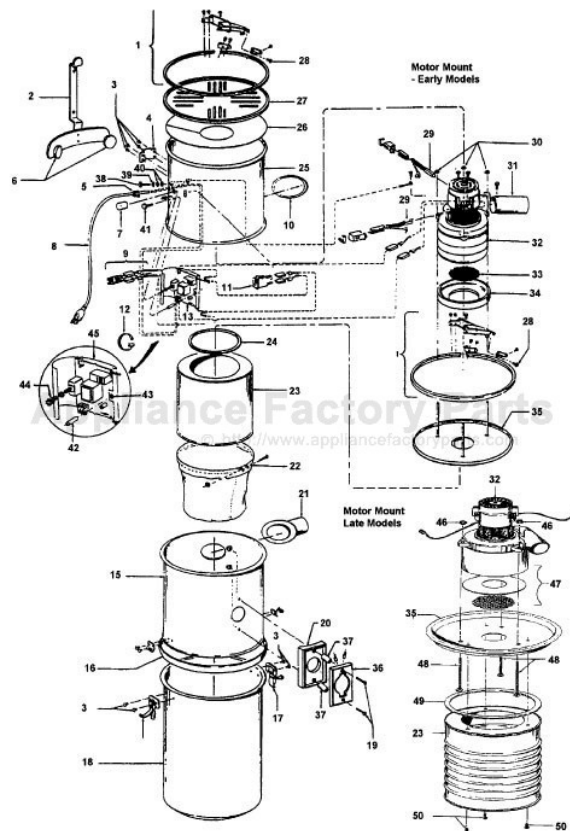


This Owner's Manual is provided and hosted by Appliance Factory Parts.



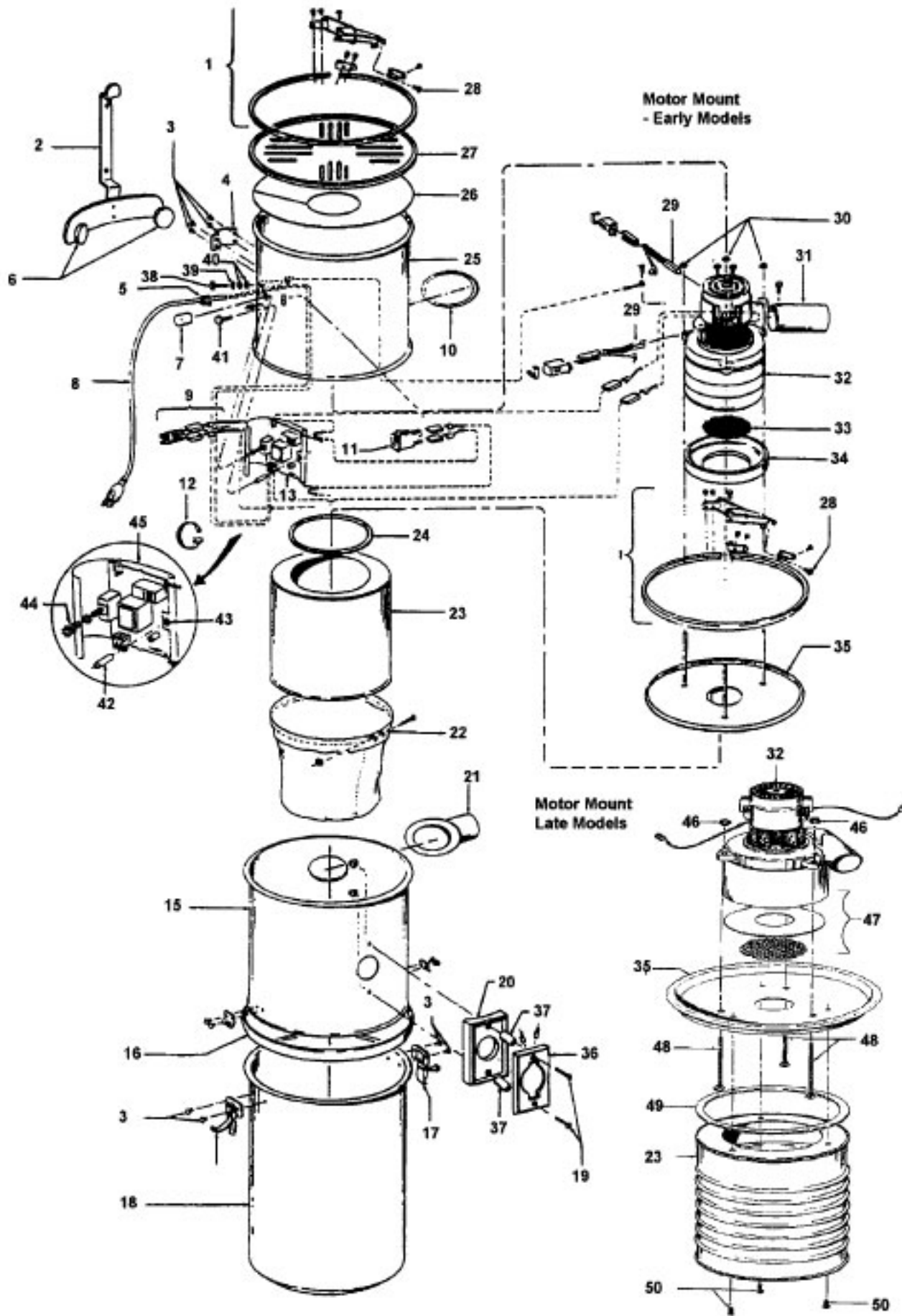
HOOVER S5677 Owner's Manual

[Shop genuine replacement parts for HOOVER S5677](#)



[Find Your HOOVER Vacuum Cleaner Parts - Select From 1456 Models](#)

----- Manual continues below -----



C.V.S. Canister

| Ref. No. | Part No. | Description |
|----------|----------|---|
| 1 | 41129050 | Clamp Ring Assem. - AG (2) |
| 2 | 41947011 | Wall Mount Bracket |
| 3 | N/A | Rivet (8) |
| 4 | 34712003 | Bracket |
| 5 | 39049 | Strain Relief |
| 6 | 31113011 | Pad (2) |
| 7 | 23762511 | Low Voltage Cap |
| 8 | 46543025 | Cord |
| 9 | 27724050 | Terminal Bushing |
| 10 | 38783013 | Grommet |
| 11 | 28162014 | Switch Assem. |
| 12 | 27479307 | Wire Tie (2) |
| 13 | 27135008 | Trans/Relay Assem. |
| 15 | 42213379 | Filter Enclosure Assembly - AAM - S5671, S5673 (Early Models) |
| | 42213380 | Filter Enclosure Assembly - ABM - S5673 (Late Models) |
| | 42213381 | Filter Enclosure Assembly - AG - S5677 |
| 16 | 38784069 | Can Gasket |
| 17 | 23715191 | Can Latch (2) |
| 18 | 43641017 | Dust Container Assem. - ABM - S5673 - Late Models |
| | 43641021 | Dust Container Assem. - AAM - S5673 - Early Models |
| | 43641016 | Dust Container Assem. - AAM - S5671 |
| | 43641025 | Dust Container Assem. - ADE - S5677 |
| 19 | 21774007 | Screw (2) |
| 20 | 35143001 | Bezel - AG |
| 21 | 25435010 | Intake Port |
| 22 | 38763009 | Filter |
| 23 | 38761018 | Deflector |
| | 43611043 | Deflector - S5677 |
| 24 | 38784066 | Deflector Gasket |
| 25 | 42192004 | Motor Enclosure Assem. - AAM - S5673 (Early Models) |
| | 42192005 | Motor Enclosure Assem. - ABM - S5673 (Late Models) |
| | 42192003 | Motor Enclosure Assem. - AAM - S5671 (Early Models) |
| | 42192004 | Motor Enclosure Assem. - AAM - S5671 (Late Models) |
| | 42192011 | Motor Enclosure Assem. - AG - S5677 |

Models S5671, S5673, *S5673-080, S5677

| Ref. No. | Part No. | Description |
|----------|----------|---|
| 26 | 38763018 | Air Baffle - S5671 |
| | 38763019 | Air Baffle - S5673 |
| | 38764008 | Air Baffle - S5677 |
| 27 | 42228007 | Top Cover - AAM |
| | 42228010 | Top Cover - AG - S5677 |
| 28 | 160508 | Self Tapping Screw (2) |
| 29 | 27292001 | Carbon Brush - S5671 |
| | 27292002 | Carbon Brush - S5673 |
| 30 | 21372203 | Speed Nut (3) |
| 31 | 31744024 | Exhaust Port |
| 32 | 43577005 | Motor Assembly - S5671 |
| | 43577014 | Motor Assembly - S5673 |
| | 27212047 | Motor Assembly - S5677 |
| 33 | 38763005 | Motor Screen - early designs |
| 34 | 38784050 | Gasket - Motor - early designs |
| 35 | 41427036 | Motor Filter Mount Assem.(It. 48 req'd) |
| | 37196153 | Motor Mount Plate/ Seal Assembly - S5677 (item 48 required) |
| 36 | 43526014 | Inlet Valve |
| 37 | 31742008 | Bezel Spacer (2) |
| 38 | N/A | Screw |
| 39 | N/A | Lock Washer |
| 40 | 15854EF | Hex Nut (2) |
| 41 | 21479439 | Screw |
| 42 | 31733006 | Spacer |
| 43 | 37351 | Expansion Nut |
| 44 | 31324001 | Spacer |
| 45 | 34227012 | PCB. Barrier |
| 46 | 21854103 | Nut |
| 47 | 43543005 | Motor Mounting Kit - S5671, S5673 |
| | 40309035 | Motor Mounting Kit - S5677 |
| 48 | 21831029 | Carriage Bolt (3) |
| 49 | 38784066 | Seal |
| 50 | 21447216 | Screw |

PACKAGING MATERIAL

| | |
|----------|----------------------|
| 58158004 | Carton - S5671 |
| 58158011 | Carton - S5673 |
| 58158027 | Carton - S5677 |
| 56513334 | Owner Manual |
| 56513351 | Owner Manual - S5677 |
| 58262008 | Bottom Support |
| 58248005 | Corner Support |

* The model S5673-080 is a CVS system package which includes the model S5673 Power Unit, the S5697 Power Nozzle Accessory Kit, the S5655 Car Kit, and the S5541 Installation Kit.