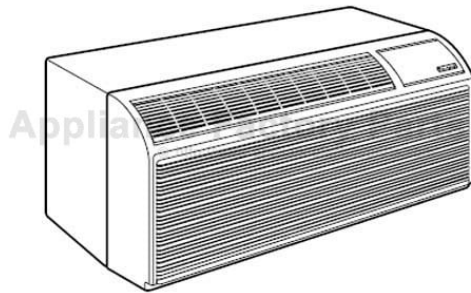


This Owner's Manual is provided and hosted by [Appliance Factory Parts](#).



FRIEDRICH PHO7K**C-A Owner's Manual

[Shop genuine replacement parts for FRIEDRICH
PHO7K**C-A](#)



[Find Your FRIEDRICH Air Conditioner Parts - Select From 1575 Models](#)

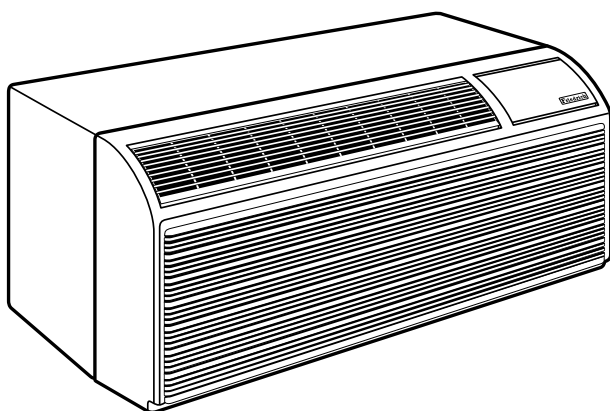
----- Manual continues below -----



Parts Manual

Wall Master®

Packaged Terminal Air Conditioner
B-A and C-A Suffix Models



MODELS

| | | | |
|------------|------------|------------|------------|
| PE07K**B-A | PE12K**B-A | PH07K**B-A | PH12K**B-A |
| PE07R**B-A | PE12R**B-A | PH07R**B-A | PH12R**B-A |
| PE09K**B-A | PE15K**B-A | PH09K**B-A | PH15K**B-A |
| PE09R**B-A | PE15R**B-A | PH09R**B-A | PH15R**B-A |
| PE07K**C-A | PE12K**C-A | PH07K**C-A | PH12K**C-A |
| PE07R**C-A | PE12R**C-A | PH07R**C-A | PH12R**C-A |
| PE09K**C-A | PE15K**C-A | PH09K**C-A | PH15K**C-A |
| PE09R**C-A | PE15R**C-A | PH09R**C-A | PH15R**C-A |

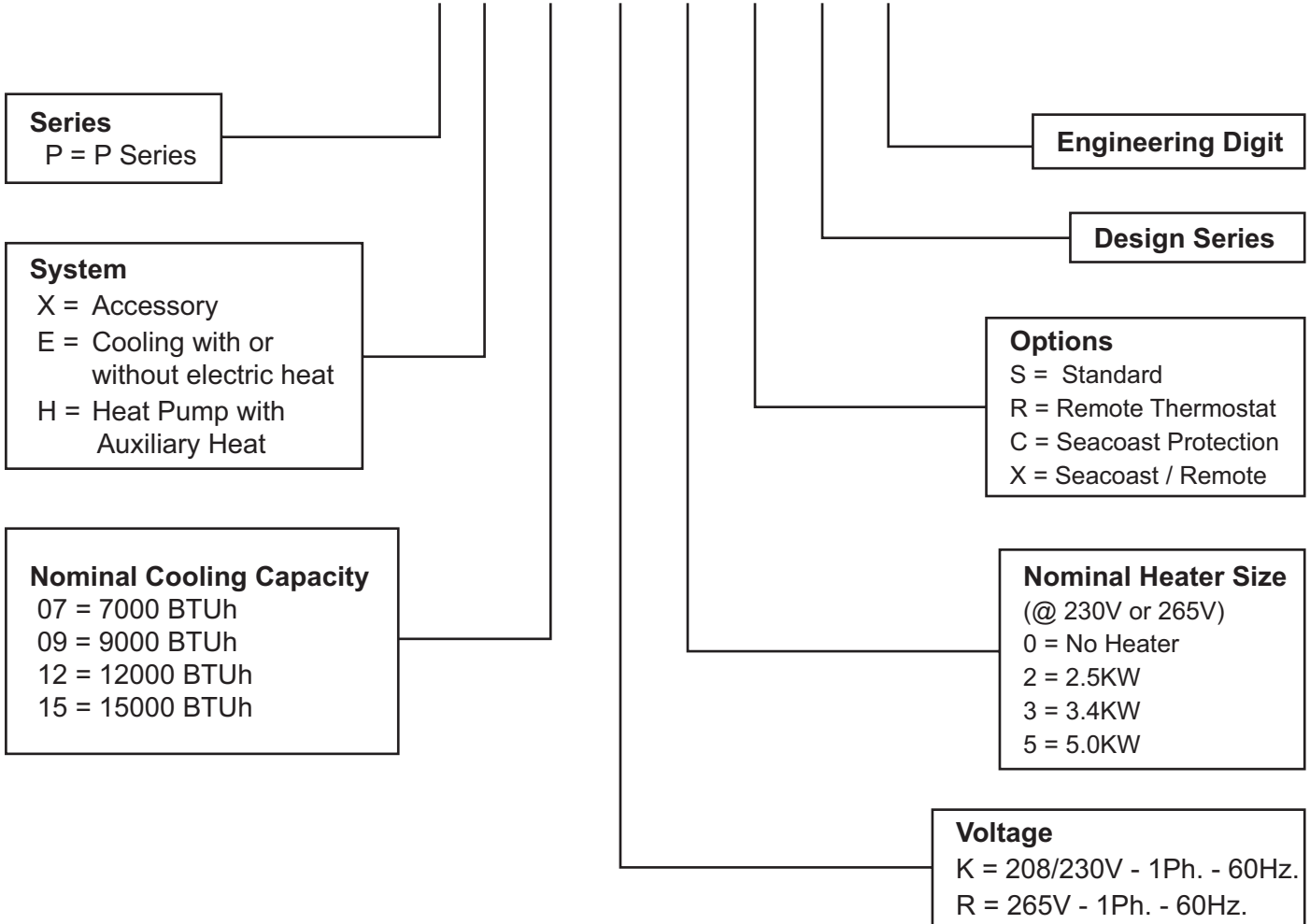
Table of Contents

| | |
|---|----|
| PTAC Model Number Identification Guide..... | 3 |
| PTAC Serial Number Identification Guide | 3 |
| Unit Assembly Drawing | 4 |
| Unit Assembly Parts List..... | 5 |
| Air Handler | 6 |
| Air Handler Parts List | 7 |
| Control Box Assembly | 8 |
| Control Box Parts List..... | 9 |
| Front Cover Assembly Drawing..... | 10 |
| Front Cover Parts List | 10 |
| Notes | 11 |

UNIT IDENTIFICATION

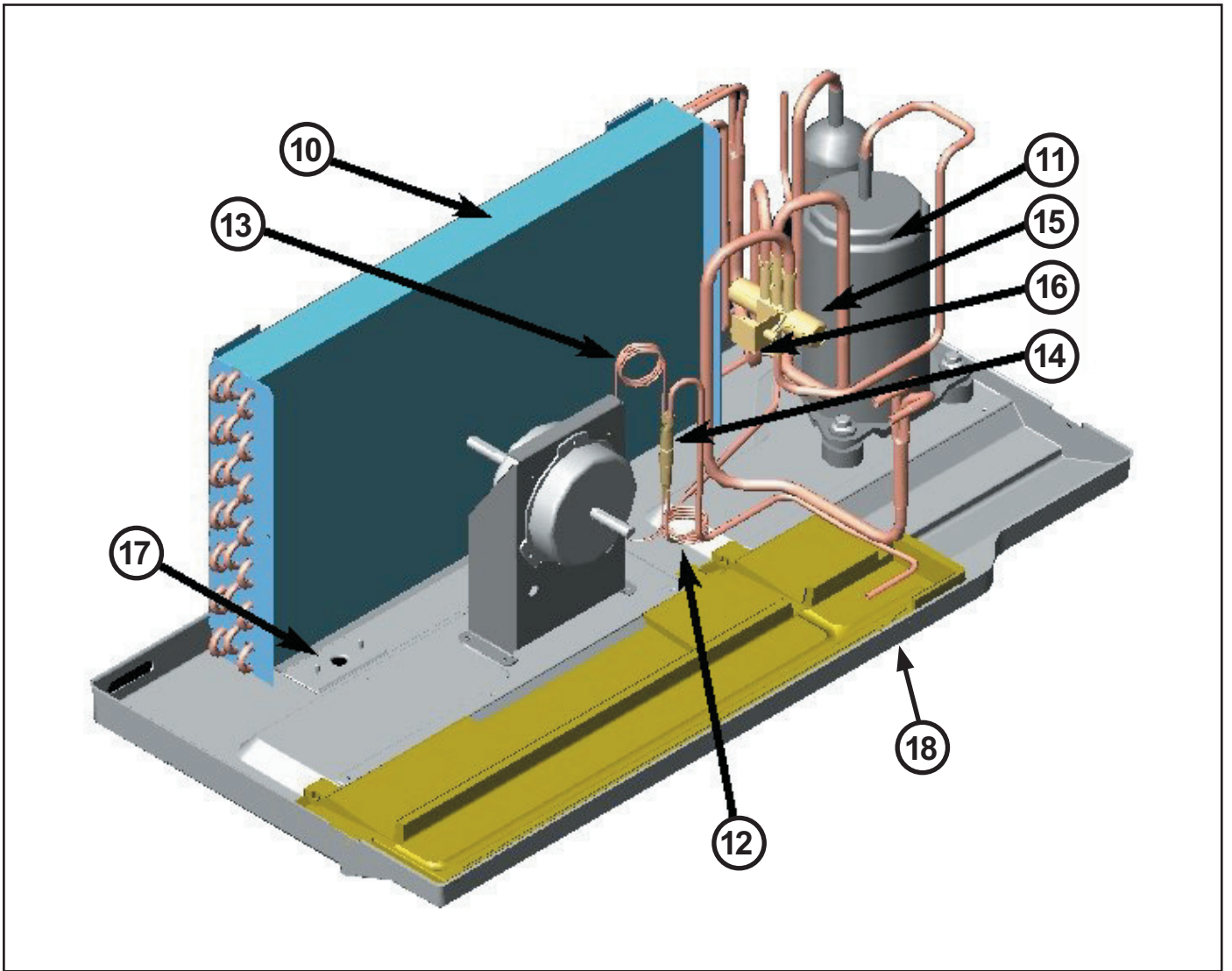
Model Number Code

P H 07 K 3 S B A



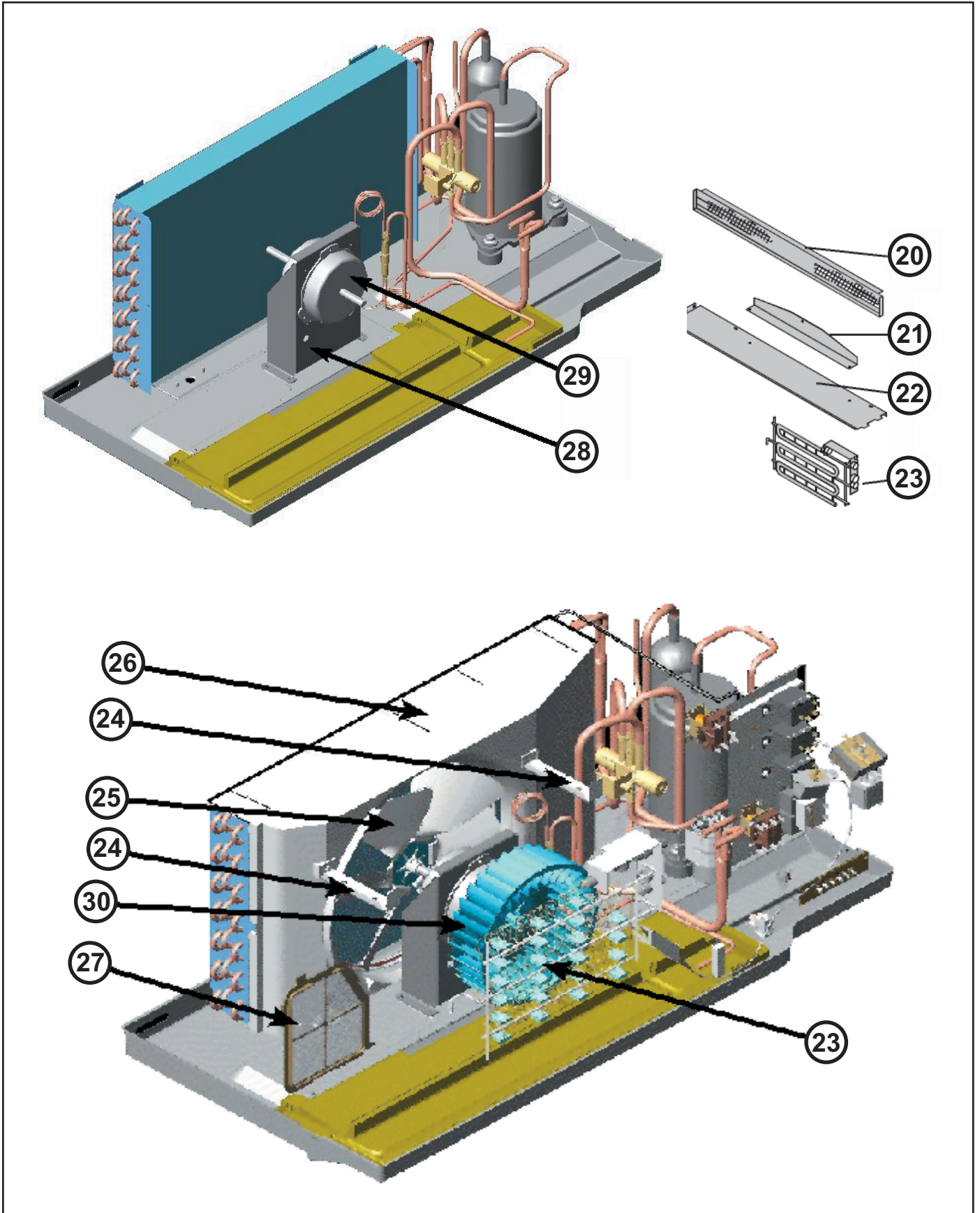
| PTAC Serial Number Identification Guide | | | | | |
|---|---|---|---|---|--|
| Serial Number | L | A | G | P | 00000 Production Run Number |
| Decade Manufactured L = 0 C = 3 F = 6 J = 9 A = 1 D = 4 G = 7 B = 2 E = 5 H = 8 | | | | | Product Line R = RAC P = PTAC E = EAC V = VPAK H = DSS |
| Year Manufactured A = 1 C = 3 E = 5 G = 7 J = 9 B = 2 D = 4 F = 6 H = 8 K = 0 | | | | | |
| Month Manufactured A = Jan D = Apr G = Jul K = Oct B = Feb E = May H = Aug L = Nov C = Mar F = Jun J = Sep M = Dec | | | | | |

UNIT ASSEMBLY



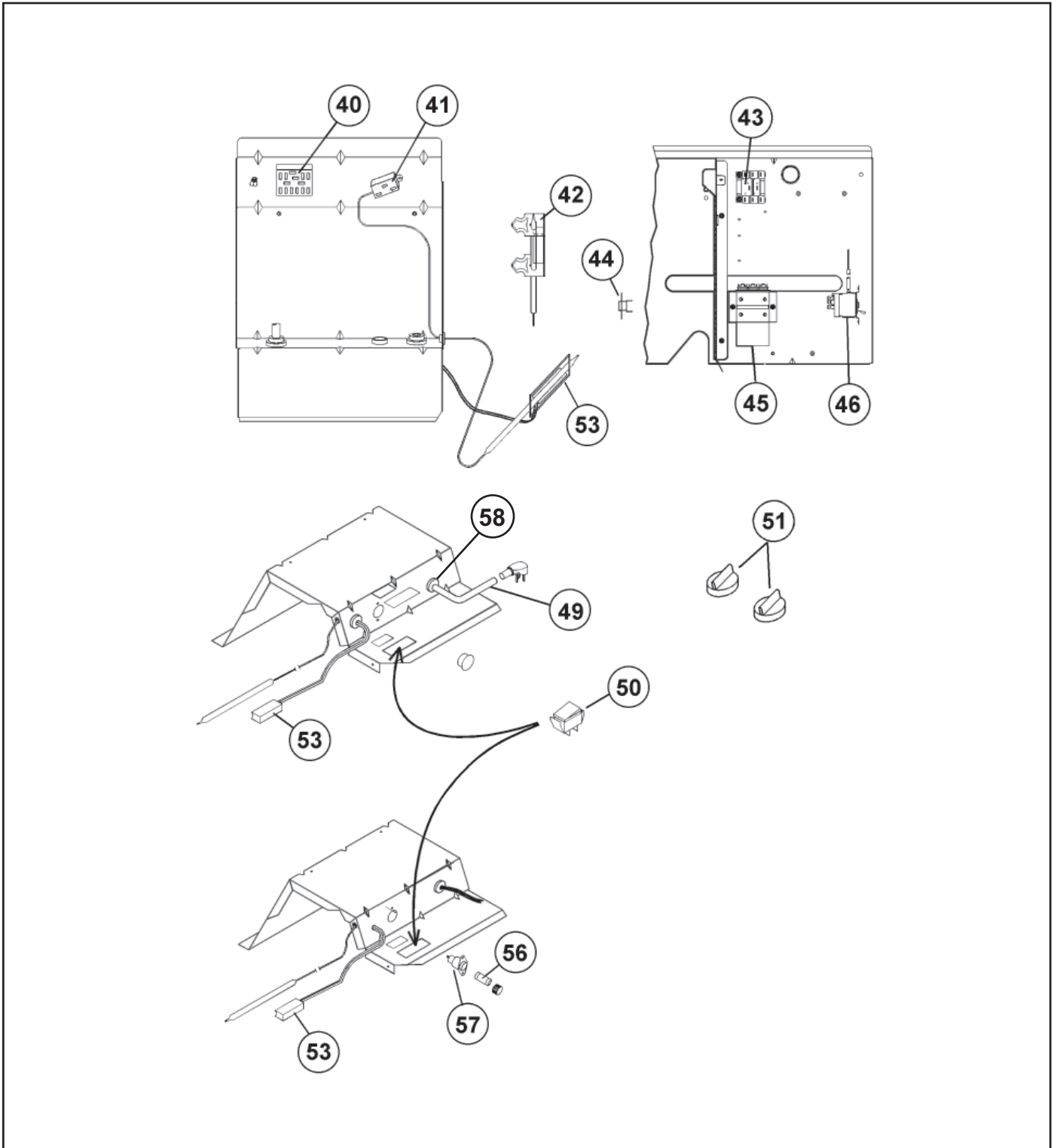
| REF. | PART NO. | DESCRIPTION | 07 | 09 | 12 | 15 | NOTES |
|------|----------|---------------------------------|----|----|----|----|----------|
| N/S | 25059400 | Coil, Indoor | 1 | 1 | 1 | – | |
| N/S | 25065000 | Coil, Indoor | – | – | – | 1 | |
| 10 | 25014820 | Coil, Outdoor | 1 | 1 | 1 | 1 | |
| 10 | 25014821 | Coil, Outdoor | 1 | 1 | 1 | 1 | Seacoast |
| 10 | 25064800 | Coil, Outdoor- Heat Pump Only | – | – | – | 1 | |
| 10 | 25064801 | Coil, Outdoor- Heat Pump Only | – | – | – | 1 | Seacoast |
| 11 | 25024915 | Compressor, 230 Volt | 1 | – | – | – | |
| 11 | 25024908 | Compressor, 230 Volt | – | 1 | – | – | |
| 11 | 25024907 | Compressor, 230 Volt | – | – | 1 | – | |
| 11 | 25024910 | Compressor, 230 Volt | – | – | – | 1 | |
| 11 | 25024914 | Compressor, 265 Volt | 1 | – | – | – | |
| 11 | 25024913 | Compressor, 265 Volt | – | 1 | – | – | |
| 11 | 25024912 | Compressor, 265 Volt | – | – | 1 | – | |
| 11 | 25024911 | Compressor, 265 Volt | – | – | – | 1 | |
| 12 | 03760548 | Cap Tube A/C-Electric Only | 1 | – | – | – | |
| 12 | 03760547 | Cap Tube A/C-Electric Only | – | 1 | – | – | |
| 12 | 03760511 | Cap Tube A/C-Electric Only | – | – | 1 | – | |
| 12 | 01389985 | Cap Tube A/C-Electric Only | – | – | – | 1 | |
| 12 | 03760547 | Cap Tube, Cooling, Heat Pump | 1 | – | – | – | |
| 12 | 03760547 | Cap Tube, Cooling, Heat Pump | – | 1 | – | – | |
| 12 | 01390000 | Cap Tube, Cooling, Heat Pump | – | – | 1 | – | |
| 12 | 01389975 | Cap Tube, Cooling, Heat Pump | – | – | – | 1 | |
| 13 | 03760473 | Cap Tube, Heating, Heat Pump | 1 | – | – | – | |
| 13 | 03760547 | Cap Tube, Heating, Heat Pump | – | 1 | – | – | |
| 13 | 01389975 | Cap Tube, Heating, Heat Pump | – | – | 1 | – | |
| 13 | 01389985 | Cap Tube, Heating, Heat Pump | – | – | – | 1 | |
| 14 | 25057200 | Check Valve | 1 | – | – | – | |
| 14 | 25057201 | Check Valve | – | 1 | 1 | 1 | |
| 15 | 25022010 | Reversing Valve Kit | 1 | 1 | – | – | |
| 15 | 25022020 | Reversing Valve Kit | – | – | 1 | 1 | |
| 16 | 25022050 | Solenoid Coil Kit 230 Volt | 1 | 1 | 1 | 1 | |
| 16 | 25022060 | Solenoid Coil Kit 265 Volt | 1 | 1 | 1 | 1 | |
| 17 | 60179903 | Condensate Valve (bellows type) | 1 | 1 | 1 | 1 | |
| 18 | 25014502 | Drain Pan | 1 | 1 | 1 | 1 | |
| N/S | 61764537 | Overload Compressor 230 Volt | 1 | – | – | – | |
| N/S | 61764535 | Overload Compressor 230 Volt | – | 1 | – | – | |
| N/S | 61764521 | Overload Compressor 230 Volt | – | – | 1 | – | |
| N/S | 61764532 | Overload Compressor 230 Volt | – | – | – | 1 | |
| N/S | 61764543 | Overload Compressor 265 Volt | 1 | – | – | – | |
| N/S | 61764542 | Overload Compressor 265 Volt | – | 1 | – | – | |
| N/S | 61764541 | Overload Compressor 265 Volt | – | – | 1 | – | |
| N/S | 61764538 | Overload Compressor 265 Volt | – | – | – | 1 | |

AIR HANDLER



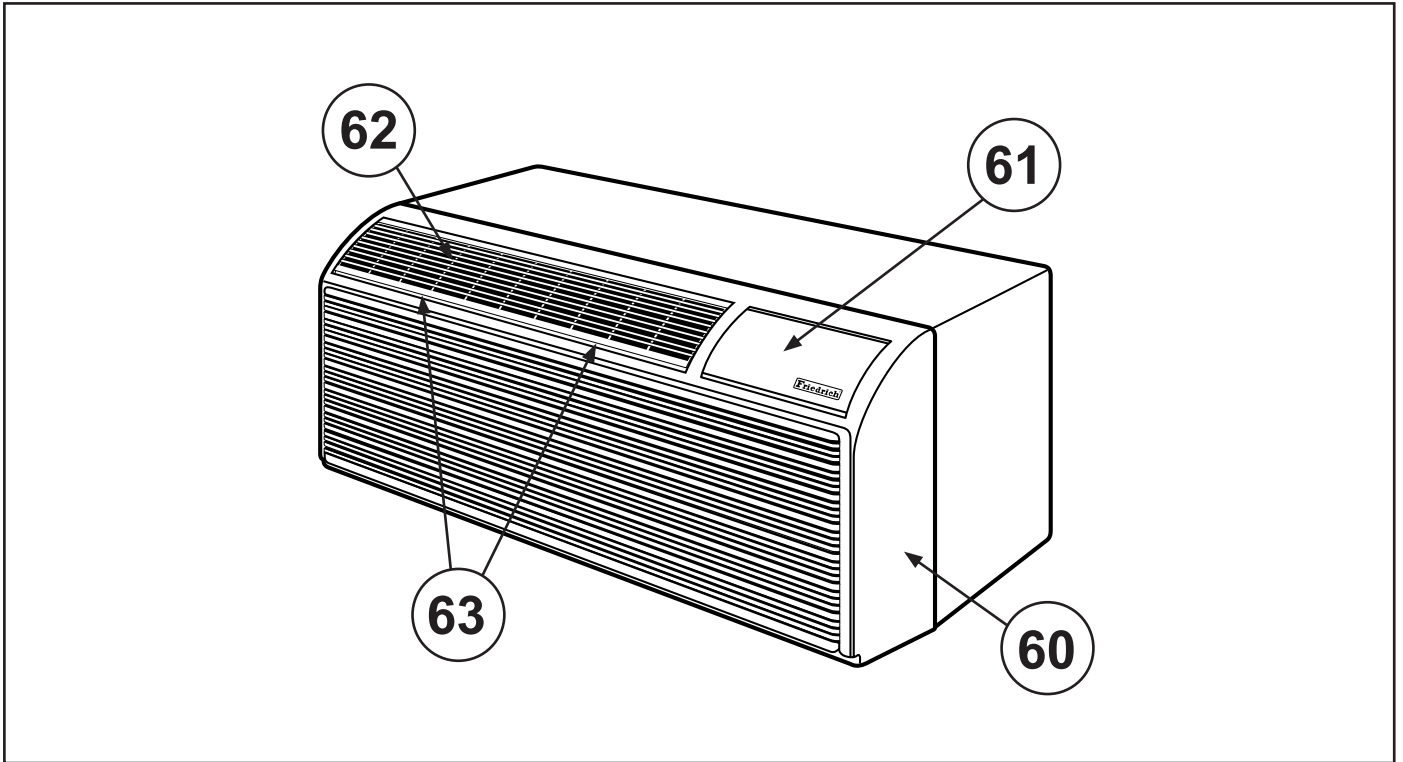
| REF. | PART NO. | DESCRIPTION | 07 | 09 | 12 | 15 | NOTES |
|------|----------|---------------------------------------|----|----|----|----|--------------|
| 20 | 25038401 | Discharge Screen | 1 | 1 | 1 | 1 | |
| 21 | 25067500 | Air Deflector | 1 | 1 | 1 | 1 | |
| 22 | 25016011 | Deck | 1 | 1 | 1 | 1 | |
| 23 | 25059160 | Heater, 2.5 kW @ 230 Volt | 1 | 1 | 1 | 1 | |
| 23 | 25059161 | Heater, 3.4 kW @ 230 Volt | 1 | 1 | 1 | 1 | |
| 23 | 25059174 | Heater, 5.0 kW @ 230 Volt | 1 | 1 | 1 | 1 | |
| 23 | 25059162 | Heater, 2.5 kW @ 265 Volt | 1 | 1 | 1 | 1 | |
| 23 | 25059163 | Heater, 3.4 kW @ 265 Volt | 1 | 1 | 1 | 1 | |
| 23 | 25059175 | Heater, 5.0 kW @ 265 Volt | 1 | 1 | 1 | 1 | |
| 24 | 25036400 | Support Brace (condenser) | 1 | 1 | 1 | 1 | |
| 25 | 60542006 | Condenser slinger blade | 1 | 1 | 1 | 1 | |
| 26 | 25036801 | Condenser Shroud | 1 | 1 | 1 | 1 | |
| 27 | 25015300 | Fresh Air Door Screen | 1 | 1 | 1 | 1 | |
| 27 | 25034900 | Fresh Air Door Insulation | 1 | 1 | 1 | 1 | |
| 28 | 25014400 | Motor Mount Bracket | 1 | 1 | 1 | 1 | |
| 29 | 25014600 | Motor, 230 Volt 1/15 HP 2P | 1 | 1 | - | - | |
| 29 | 25014610 | Motor, 230 Volt 1/10 HP 2P | - | - | 1 | 1 | |
| 29 | 25014601 | Motor, 265 Volt 1/15 HP 2P | 1 | 1 | - | - | |
| 29 | 25014611 | Motor, 265 Volt 1/10 HP 2P | - | - | 1 | 1 | |
| 30 | 25069100 | Blower Wheel 7-9 | 1 | 1 | - | - | |
| 30 | 25069000 | Blower Wheel 12-15 | - | - | 1 | 1 | |
| N/S | 25014306 | Scroll 7-9 | 1 | 1 | - | - | |
| N/S | 25014306 | Scroll 12-15 | - | - | 1 | 1 | |
| N/S | 60217902 | Seal, Motor to Wall | 1 | 1 | 1 | 1 | |
| N/S | 25015900 | Fresh Air Door Latch | 1 | 1 | 1 | 1 | |
| N/S | 25045100 | Fresh Air Door Cable | 1 | 1 | 1 | 1 | |
| N/S | 25059620 | Primary Limit Switch 145°F 2.5-3.4 kW | 1 | 1 | 1 | 1 | |
| N/S | 25069621 | Primary Limit Switch 155°F 5 kW | - | 1 | 1 | 1 | |
| N/S | 25059618 | Secondary Limit Switch 200°F | 1 | 1 | 1 | 1 | |
| N/S | 61828200 | Suction Dryer | 1 | 1 | 1 | 1 | |
| N/S | 60308101 | Liquid line Dryer (not for heat pump) | 1 | 1 | 1 | 1 | Cooling Only |
| N/S | 25065700 | Jumper, Heater | 1 | 1 | 1 | 1 | |

CONTROL BOX ASSEMBLY



| REF. | PART NO. | DESCRIPTION | 07 | 09 | 12 | 15 | NOTES |
|------|----------|------------------------------------|----|----|----|----|------------|
| 40 | 25038203 | Switch, Cooling and Heating | 1 | 1 | 1 | 1 | |
| 40 | 25038302 | Switch, Cooling Only | 1 | 1 | 1 | 1 | |
| 41 | 25043300 | Thermostat, Indoor | 1 | 1 | 1 | 1 | |
| 42 | 61900500 | Retainer Clip, for Thermostat Bulb | 1 | 1 | 1 | 1 | |
| 43 | 21091127 | Hot Start Relay (230 Volt) DPST | 1 | 1 | 1 | 1 | Heat Pump |
| 43 | 21091155 | Hot Start Relay (265 Volt) DPST | 1 | 1 | 1 | 1 | Heat Pump |
| 43 | 21060940 | Hot Start Relay (24 Volt) DPST | 1 | 1 | 1 | 1 | Remote HP |
| 44 | 25039101 | Sensor, Hot Start | 1 | 1 | 1 | 1 | Heat Pump |
| 45 | 61080541 | Capacitor, 20/5 @ 370 (230 Volt) | 1 | - | - | - | |
| 45 | 61080573 | Capacitor, 15/5 @ 440 (265 Volt) | 1 | - | - | - | |
| 45 | 61080539 | Capacitor, 25/5 @ 370 (230 Volt) | - | 1 | - | - | |
| 45 | 61080571 | Capacitor, 20/5 @ 440 (265 Volt) | - | 1 | - | - | |
| 45 | 61080565 | Capacitor, 30/5 @ 370 (230 Volt) | - | - | 1 | - | |
| 45 | 61080571 | Capacitor, 20/5 @ 440 (265 Volt) | - | - | 1 | - | |
| 45 | 61080565 | Capacitor, 30/5 @ 370 (230 Volt) | - | - | - | 1 | |
| 45 | 61080571 | Capacitor, 20/5 @ 440 (265 Volt) | - | - | - | 1 | |
| 46 | 25039900 | Thermostat, Defrost | 1 | 1 | 1 | 1 | Heat Pump |
| 49 | 21058582 | Cord, 15A (2.5kW @ 230 Volt) | 1 | 1 | 1 | 1 | B Suffix |
| 49 | 21058583 | Cord, 20A (3.4kW @ 230 Volt) | 1 | 1 | 1 | 1 | B Suffix |
| 49 | 21058584 | Cord, 30A (5.0kW @ 230 Volt) | 1 | 1 | 1 | 1 | B Suffix |
| 49 | 60500190 | LCDI, 15A (2.5kW @ 230 Volt) | 1 | 1 | 1 | 1 | C Suffix |
| 49 | 60500191 | LCDI, 20A (3.4kW @ 230 Volt) | 1 | 1 | 1 | 1 | C Suffix |
| 49 | 60500192 | LCDI, 30A (5.0kW @ 230 Volt) | 1 | 1 | 1 | 1 | C Suffix |
| 50 | 25001900 | Rocker Switch | 1 | 1 | 1 | 1 | |
| 51 | 25043400 | Knob, Control | 1 | 1 | 1 | 1 | |
| 53 | 25043900 | Heat Anticipator (230 Volt) | 1 | 1 | 1 | 1 | |
| 53 | 25043900 | Heat Anticipator (265 Volt) | 1 | 1 | 1 | 1 | |
| 56 | 21058448 | Fuse, Time Delay 15A (2.5kW) | 1 | 1 | 1 | 1 | 265 Volt |
| 56 | 21058449 | Fuse, Time Delay 20A (3.4kW) | 1 | 1 | 1 | 1 | 265 Volt |
| 56 | 21058451 | Fuse, Time Delay 30A (5.0kW) | 1 | 1 | 1 | 1 | 265 Volt |
| 57 | 21058444 | Fuse Holder 15A (2.5kW) | 1 | 1 | 1 | 1 | 265 Volt |
| 57 | 21058446 | Fuse Holder 20A (3.4kW) | 1 | 1 | 1 | 1 | 265 Volt |
| 57 | 21058447 | Fuse Holder 30A (5.0kW) | 1 | 1 | 1 | 1 | 265 Volt |
| 58 | 25069600 | Strain Relief 15/20A | 1 | 1 | 1 | 1 | C Suffix |
| 58 | 25069700 | Strain Relief 30A | 1 | 1 | 1 | 1 | C Suffix |
| 58 | 20061450 | Strain Relief 15/20A | 1 | 1 | 1 | 1 | B Suffix |
| 58 | 20086915 | Strain Relief 30A | 1 | 1 | 1 | 1 | B Suffix |
| N/S | 25043201 | Terminal board, Low Voltage | 1 | 1 | 1 | 1 | Remote |
| N/S | 25042500 | Relay, DPST (NO) 24V Heat Relay | 1 | 1 | 1 | 1 | Remote HP |
| N/S | 21053004 | Relay, SPST 24V Fan/RV/Cooling | 1 | 1 | 1 | 1 | Remote HP |
| N/S | 25042501 | Relay, DPST (NC) 24V Desk Cont. | 1 | 1 | 1 | 1 | Desk Cont. |
| N/S | 21056899 | Transformer, (230 Volt) | 1 | 1 | 1 | 1 | Remote |
| N/S | 21091226 | Transformer, (265 Volt) | 1 | 1 | 1 | 1 | Remote |
| N/S | 60603900 | Suction Line Thermostat | 1 | 1 | 1 | 1 | Remote |

FRONT COVER



Front Cover Parts

| Key | Part Number | Description | 07 | 09 | 12 | 15 | Notes |
|-----|-------------|--|----|----|----|----|-------|
| 60 | 25037900 | Front Cover Complete (Includes Door and Filters) | 1 | 1 | 1 | 1 | |
| 61 | 25031900 | Control Door | 1 | 1 | 1 | 1 | |
| 62 | 25025901 | Grille, Discharge | 1 | 1 | 1 | 1 | |
| 63 | 25037800 | Filter | 2 | 2 | 2 | 2 | |
| N/S | 25060600 | Thumb Screw | 2 | 2 | 2 | 2 | |
| N/S | 25060500 | Speed Nut (U-Type) | 2 | 2 | 2 | 2 | |

Notes

Use Factory Certified Parts.



FRIEDRICH AIR CONDITIONING CO.

Post Office Box 1540 · San Antonio, Texas 78295-1540
4200 N. Pan Am Expressway · San Antonio, Texas 78218-5212
(210) 357-4400 · FAX (210) 357-4480
www.friedrich.com

Printed in the U.S.A.

PTACPRTS B-A C-A (7-04)