

This Owner's Manual is provided and hosted by [Appliance Factory Parts](#).



Sterling 5139-84 Owner's Manual

[Shop genuine replacement parts for Sterling 5139-84](#)



[Find Your Sterling Grill Parts - Select From 509 Models](#)

----- Manual continues below part list -----

Available Replacement Parts for Sterling 5139-84

18013	LARGE PROBE HEAT INDICATOR
S21124	SCREW PHCP #8 X 12 +
10390-E10	BURNER SIDE 10BTU W/ELEC #8 +
S15236	ROTISSERIE MOTOR AC 120V
10070-K421	ROTISSERIE BRACKET ASSY + W/HARDWARE
S15263	ROTISSERIE BUSHING
S15299	WASHER COUNTERWEIGHT ROTIS
S15270	ROTISSERIE COUNTERWEIGHT ASSY
S15271	ROTISSERIE HANDLE +
Y-12223	MAGNET SNAP IN - DOOR
Y-12222	MAGNET - DOOR
23000-271	SIDE BURNER BODY BASE
22009-901	GREASE PAN FORMED +
10342-E13	ELECTRODE W/WIRE
10342-T18	WIRE ELECTRODE S/B 600 +
24006-12A	HANDLE LID ASSY 625
S15260	SPIT ROD ROTISSERIE 750 45 INCH
27056-901	GREASE TRAY PORC FORMED 625
10240-19	DOOR PIN BOTTOM
21475-138	DOOR HANDLE RESIN
66024	grid, ci, 17.375 x 25.5; Huntington
96021	HEAT PLATE PORCELAIN STEEL
66025	grid, ci, 17.375 x 31.875; Huntington
00475	heat indicator
52904-144	BURNER ASSY MAIN SINGLE TUBE + LP
18431	OEM FLAV R WAVE - BARON
52007-181	COOKING GRID 550 PORC BLK +
21039-911	CASTER BRACKET BLACK
23000-251	COVER SIDE BURNER BLACK +
53139-98	GRID PORCELAIN S/B RAW *

52046-92	FIREBOX 550 HEAT SHIELD 5V AB
52316-151	FIREBOX 550 HOOD PANEL PORC
52006-991	WARMING RACK 550 PORC +
21036-991	GREASE RAIL 550/625
59006-074	CONTROL ASSEMBLY 5V W/SB RB LP
59006-077	CONTROL ASSY 5V S/B R/B NG
27906-354	REAR BURNER TUBULAR W/DEFLCTOR
10342-251	ELECTRONIC IGNITOR 5 POLE +
10892-23	CASTER RUBBER 3 INCH W/PLATE
52016-903	COLLECTOR BOX ASSEMBLY 625
80012	regulator and hose READ ADD. INFO
16121	BURNER TUBE, EACH SS
08012	BURNER CROSSOVER BAR, SS
03335	SPARK MODULE 5 PORT
04831	ELECTRODE WITH WIRE
50502	HEAVY DUTY MEAT FORKS
51176-214A	DOOR ASSEMBLY AB 550 RHS SS +
24009-936	HANDLE RING
10472-K431	CONTRL KNOB RESIN LRG BLCK W/SS BA STRIP
53001-011A	SHELF ASSEMBLY 330/440 RHS + SS FASCIA



REDI-BILT BARBECUES

ASSEMBLY MANUAL & PARTS LIST

MANUEL DE MONTAGE & LISTE DE PIÈCES



STERLING⁶

5023-64/67

5123-64/67

5123-84/87

broil-mate™

7123-64/67

7123-84/87



STERLING⁶

5133-64/67

5139-84/87

broil-mate™

7133-64/67

7139-84/87

RETAIN FOR FUTURE REFERENCE

VEUILLEZ CONSERVER POUR REFERENCE ULTERIEURE

1-800-265-2150

info@omcbbq.com



SINCE 1906

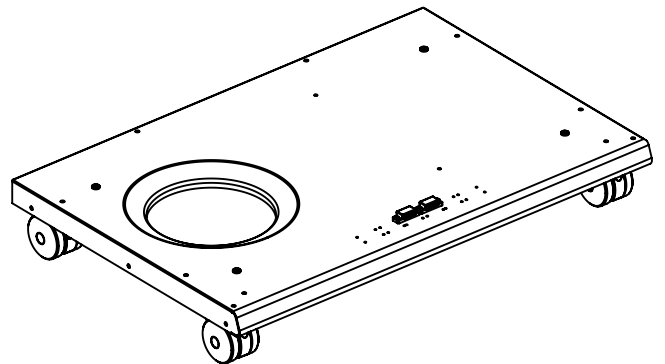
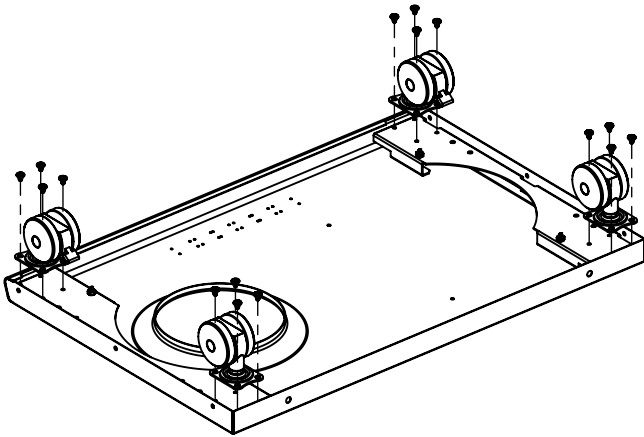
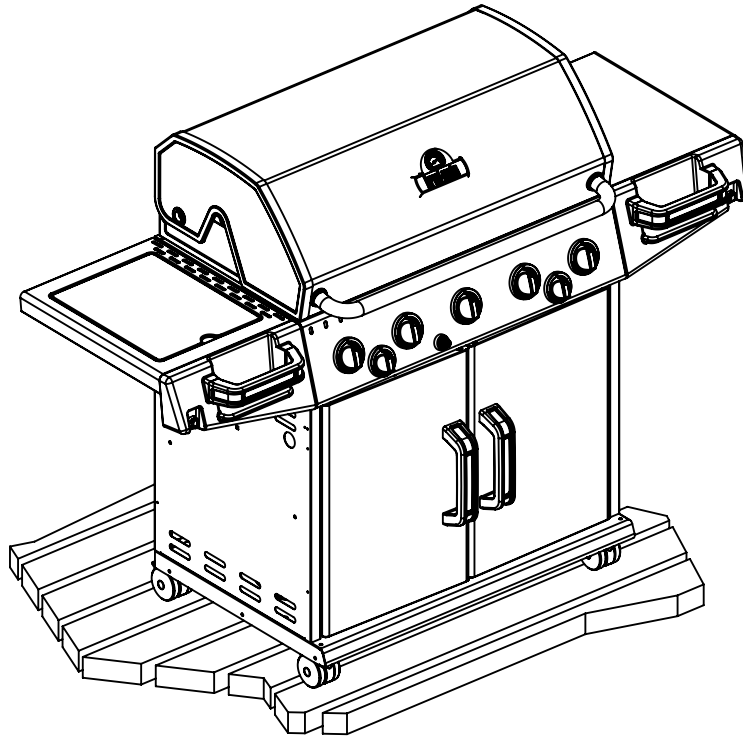
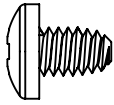
MANUFACTURING COMPANY

1000 EAST MARKET STREET
HUNTINGTON, INDIANA, 46750, USA

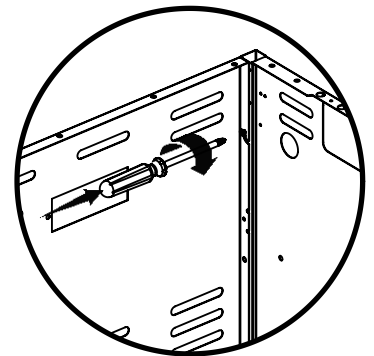
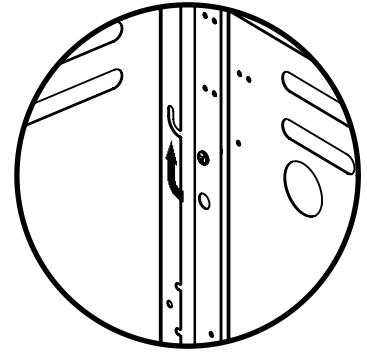
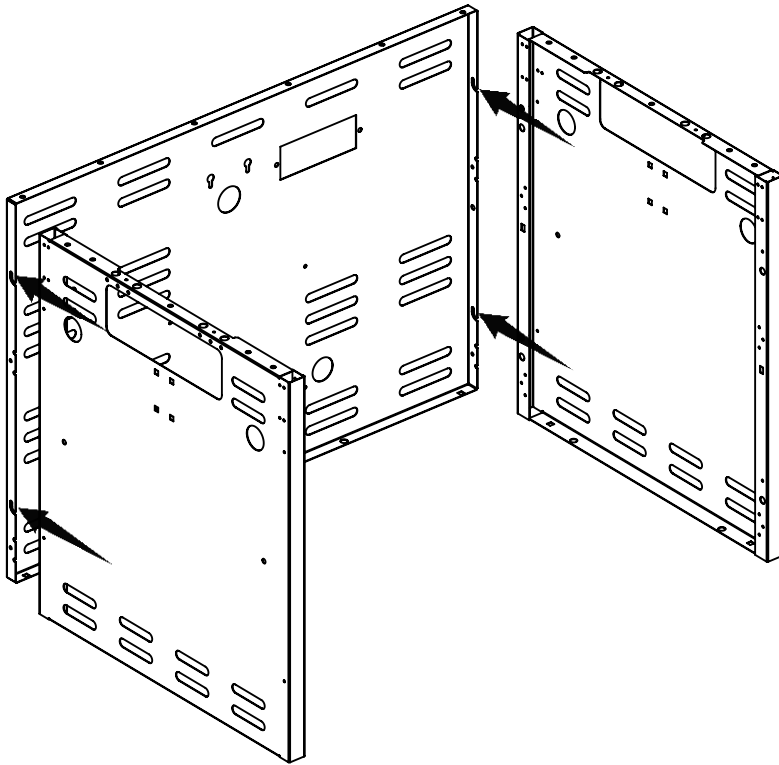
20084-E90 REVE 10/11

1

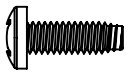
(16)

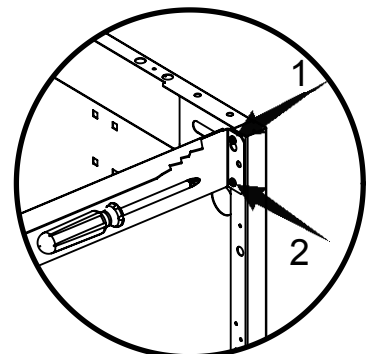
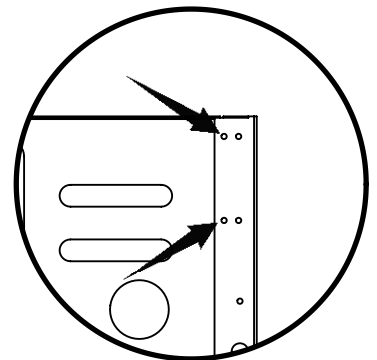
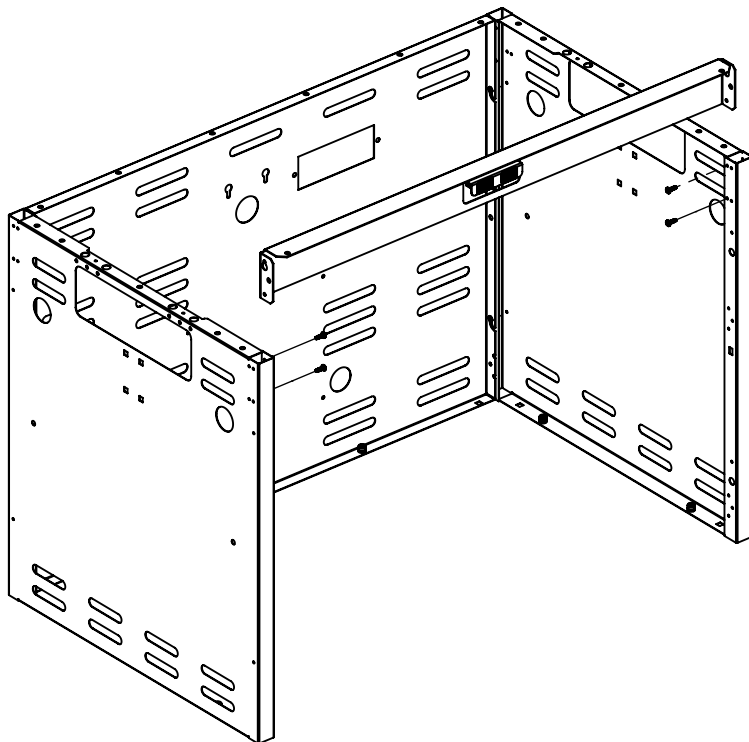


2

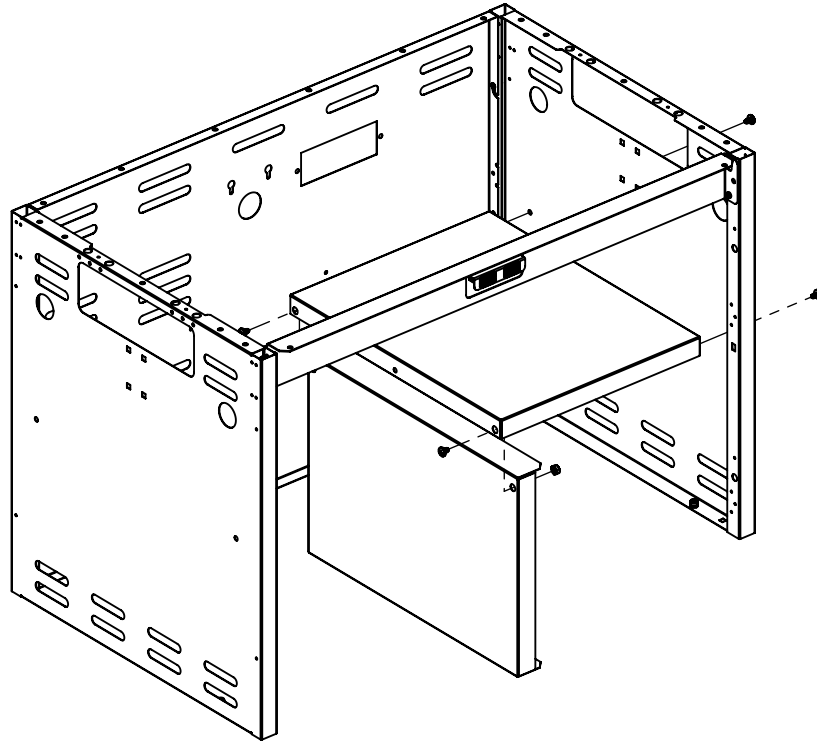
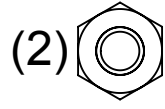
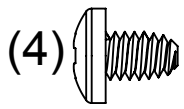


3

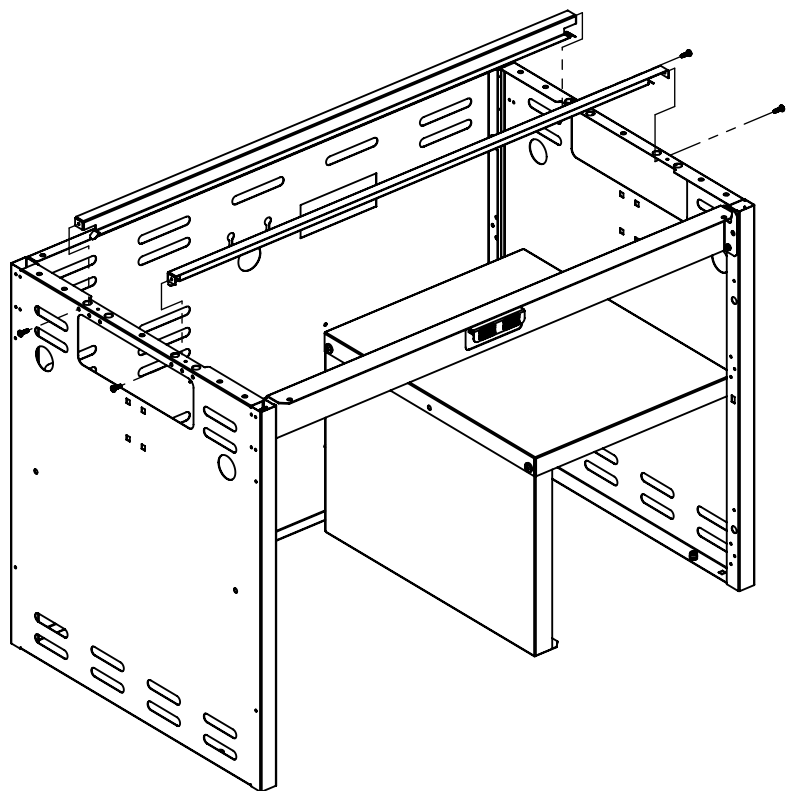
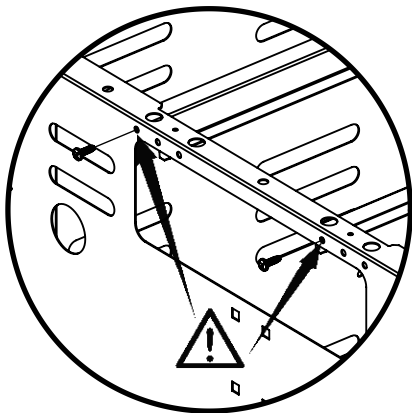
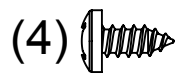
(4) 



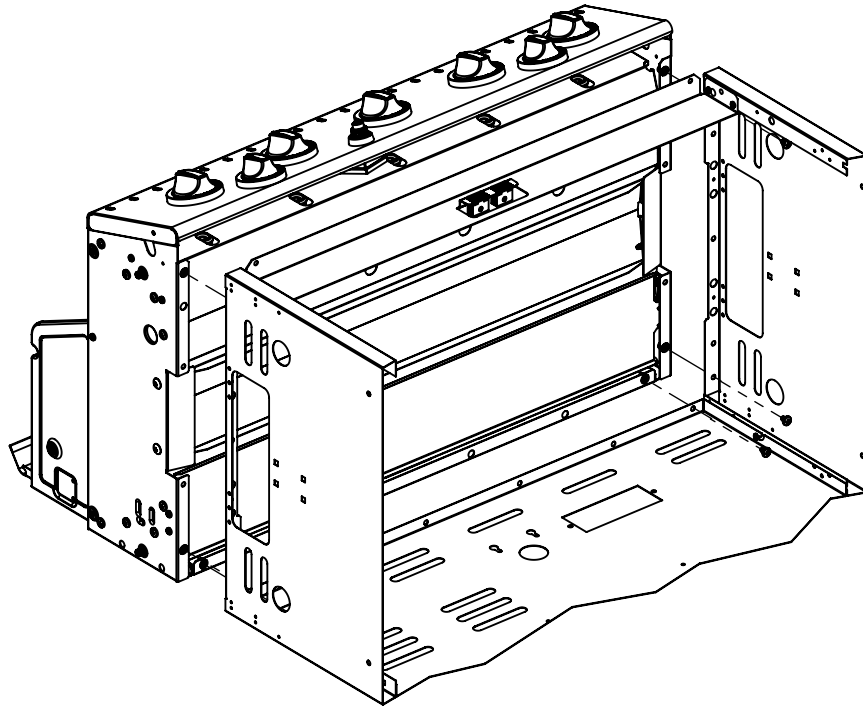
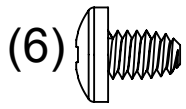
4



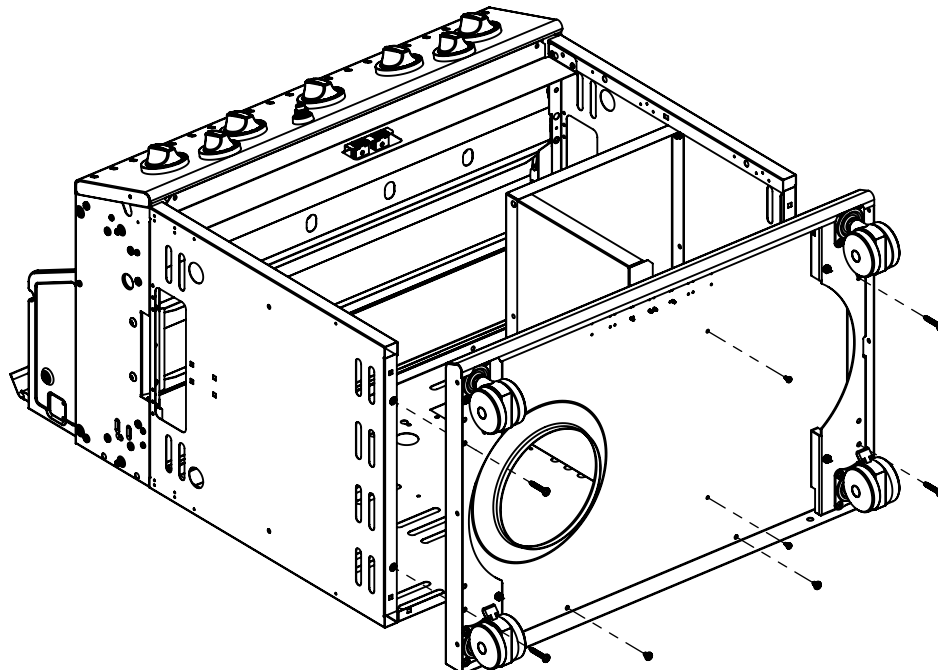
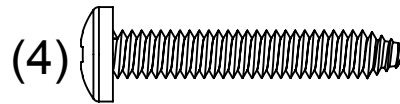
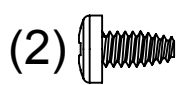
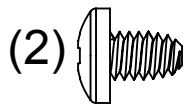
5



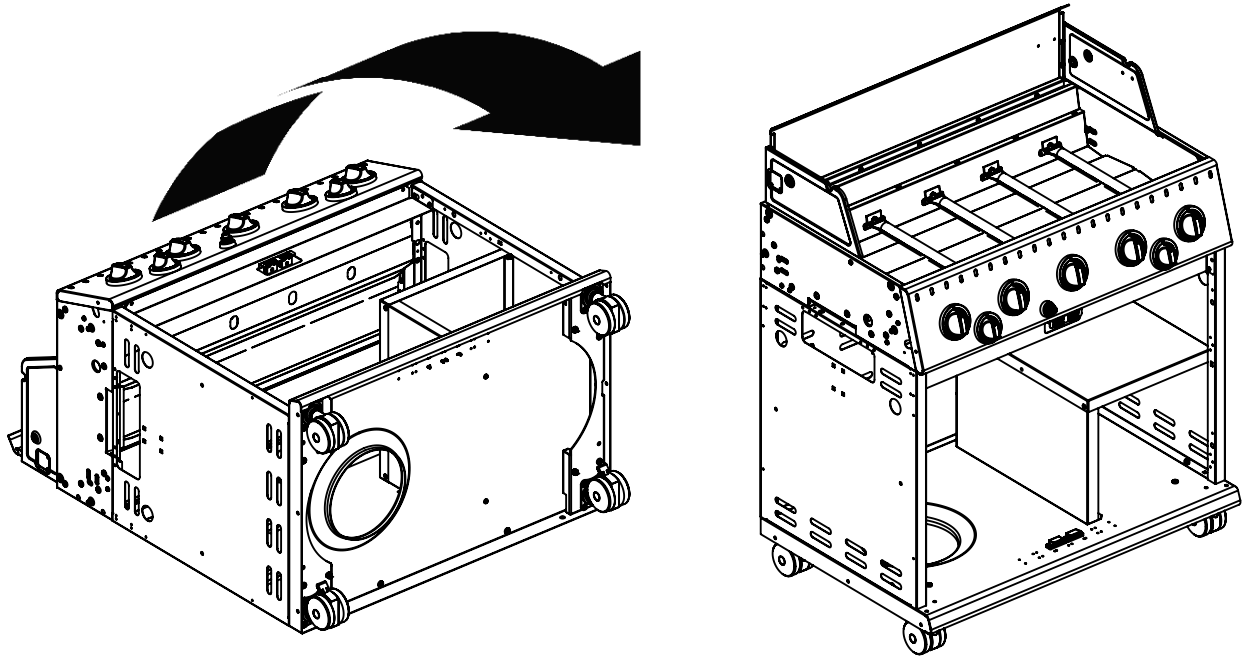
6



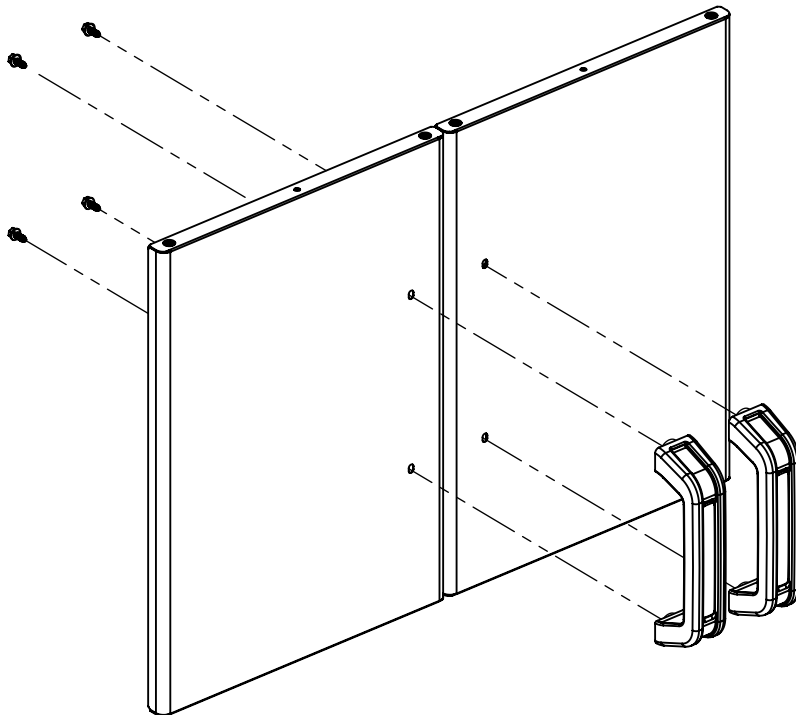
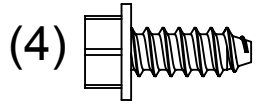
7



8

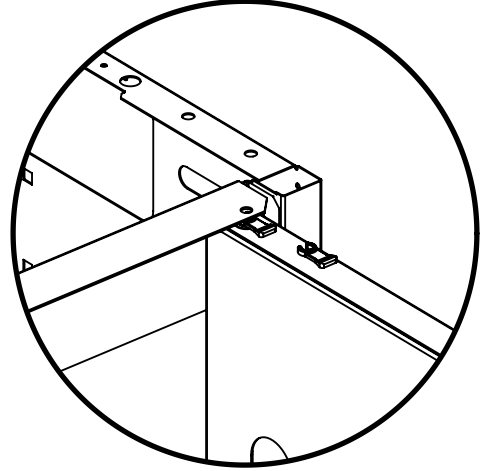
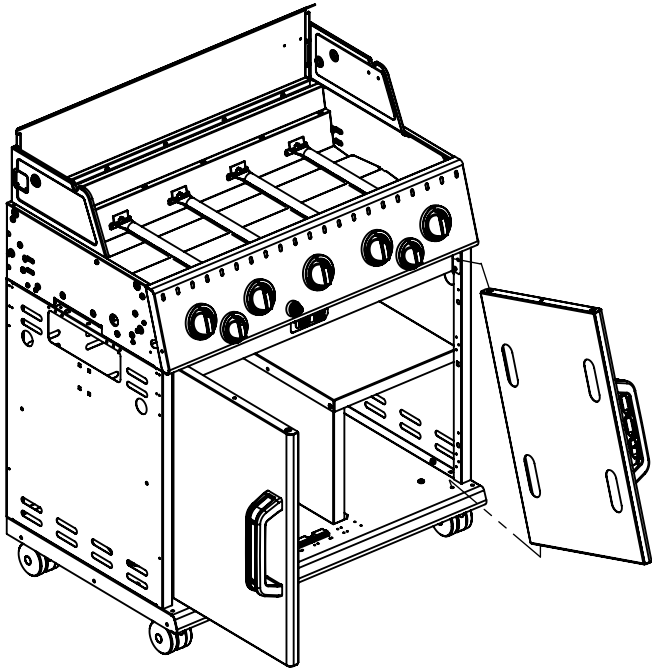
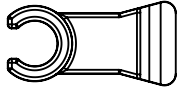


9

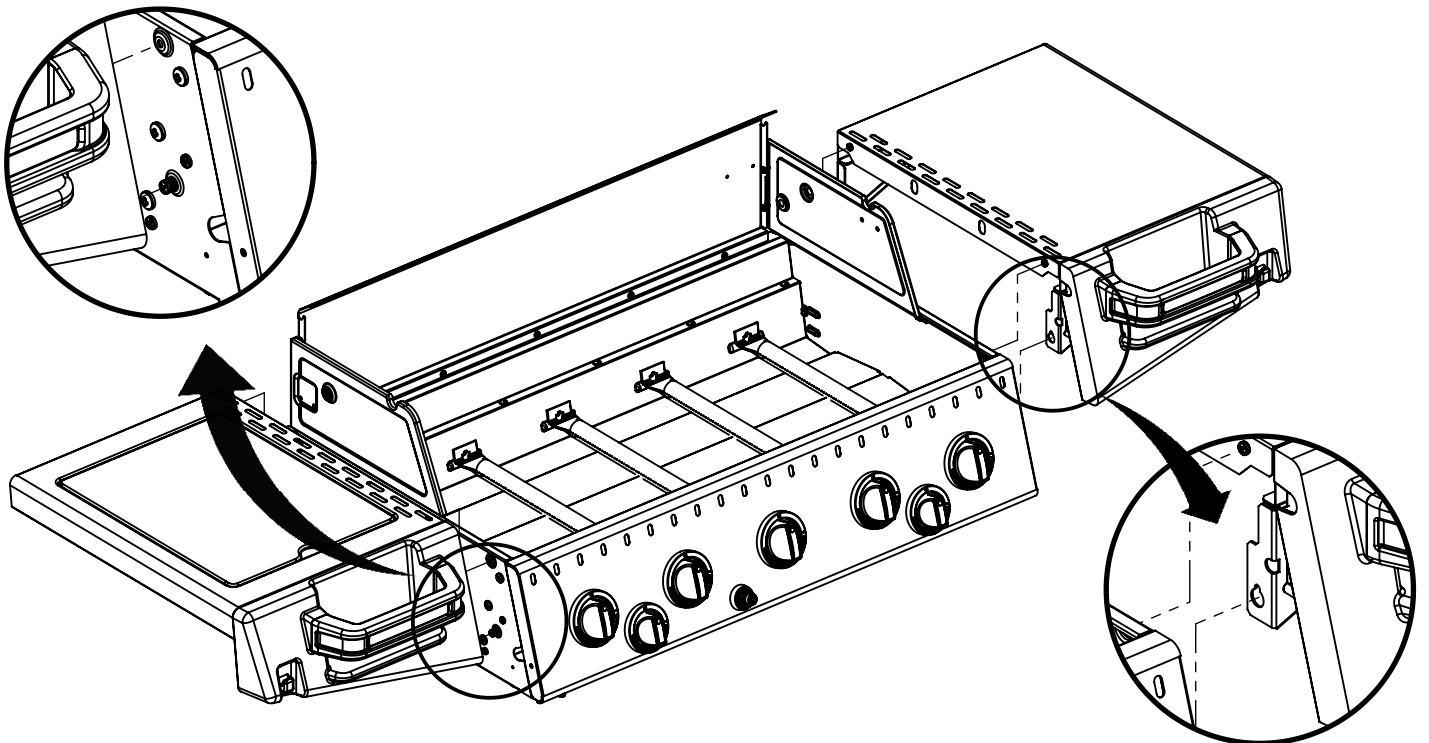


10

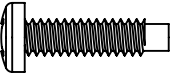
(2)

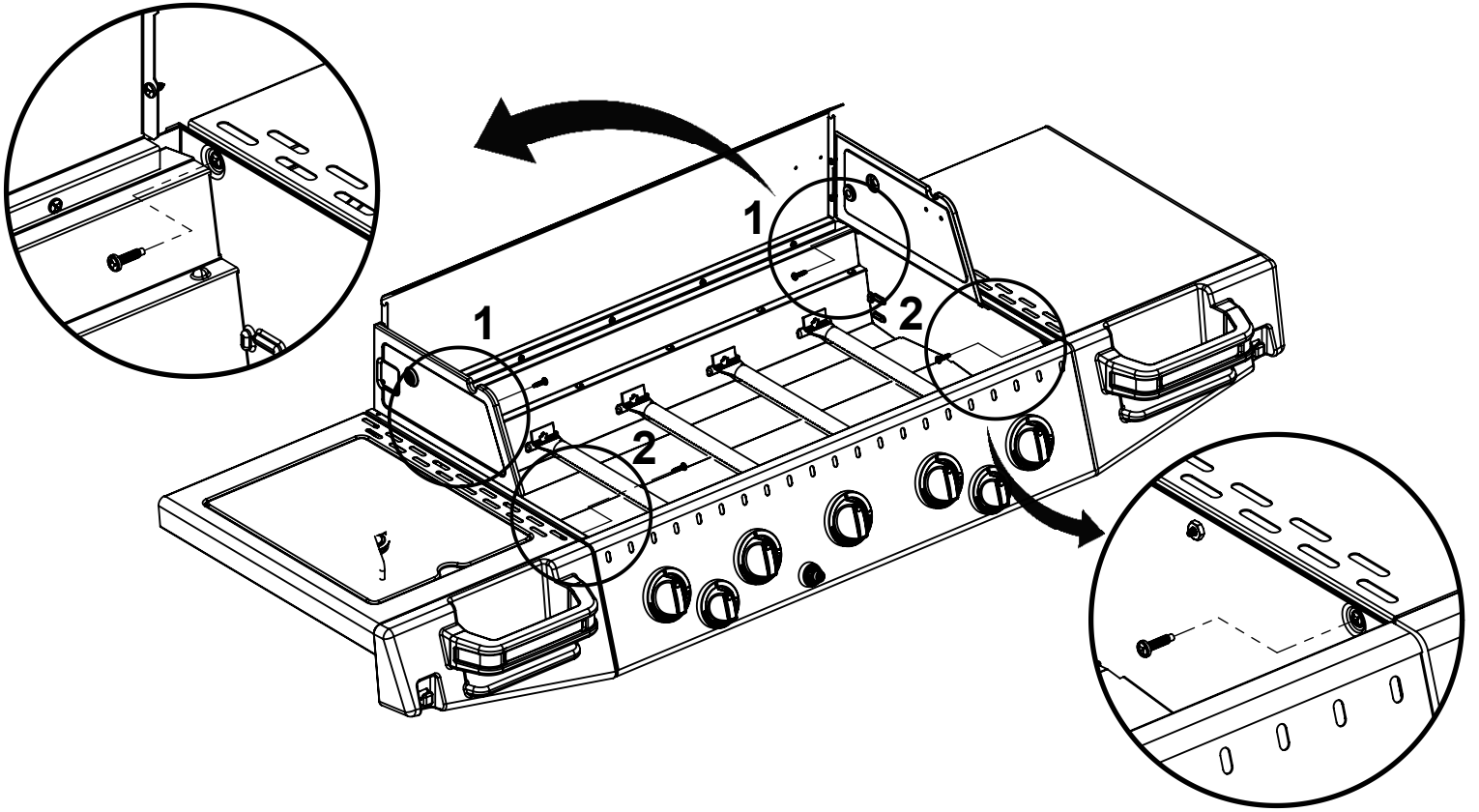


11

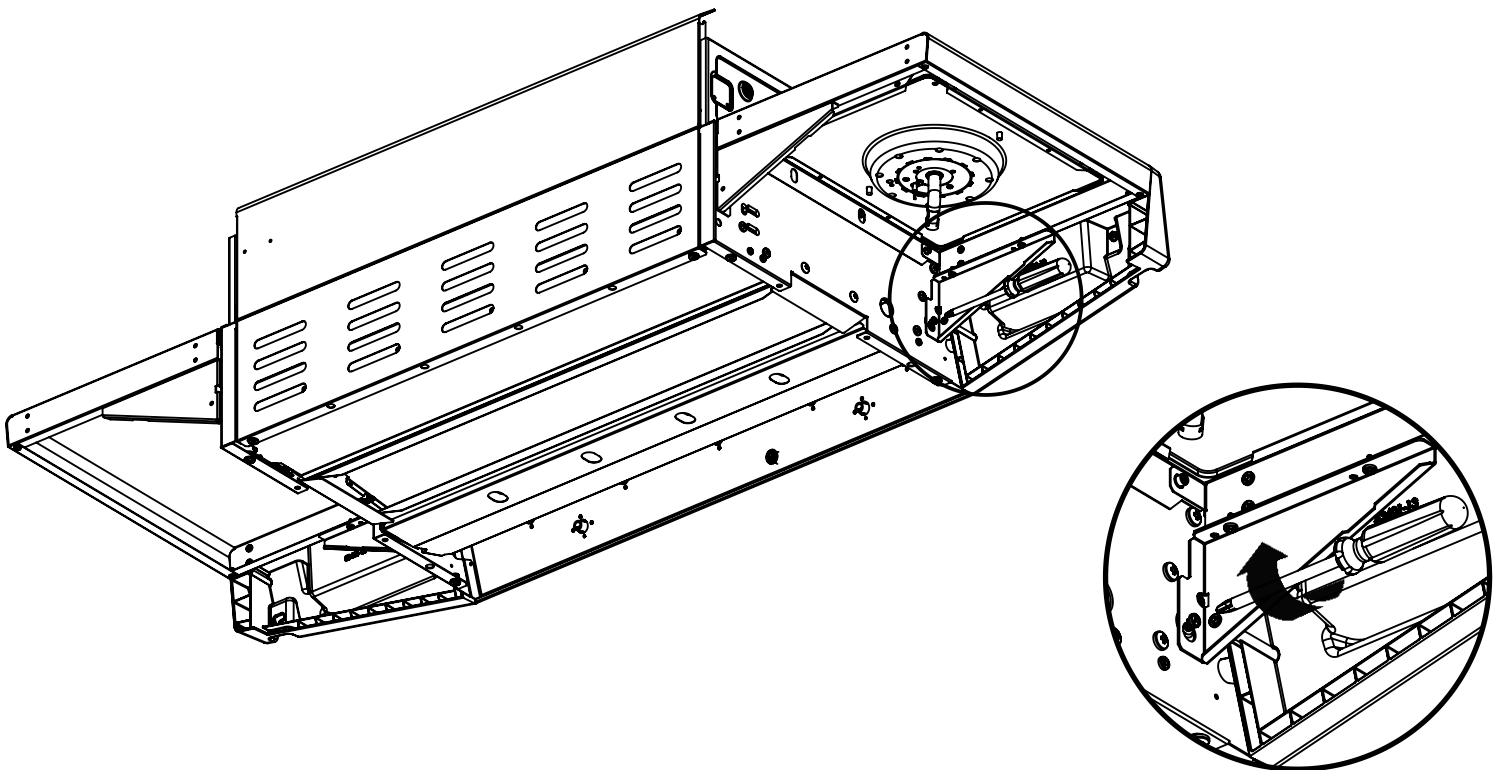


12

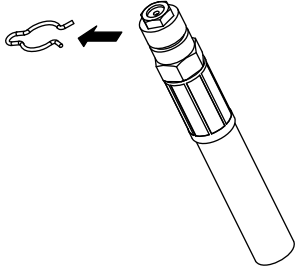
(4) 



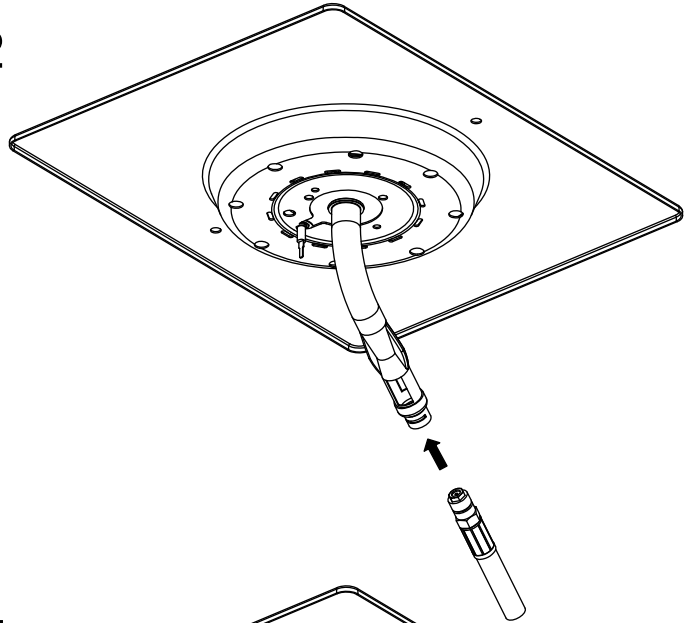
13



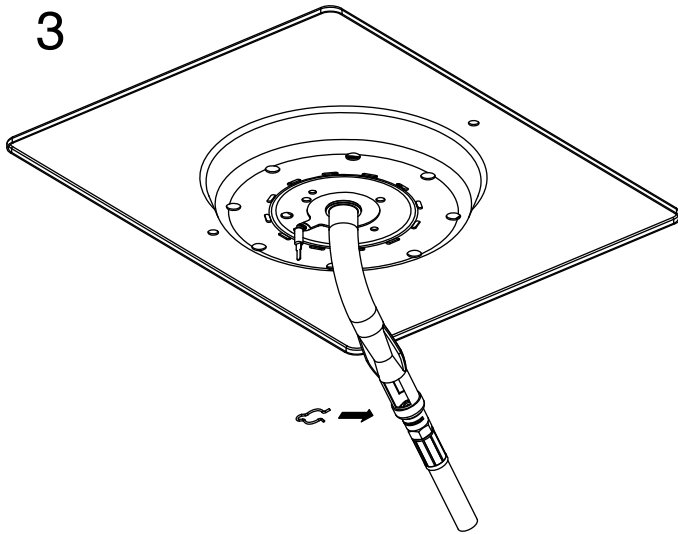
1



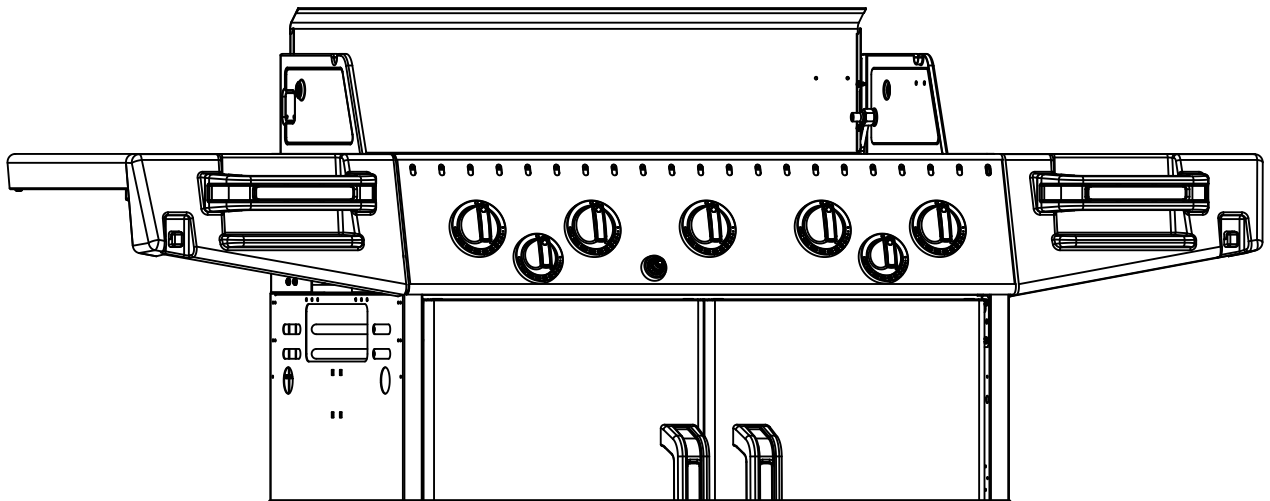
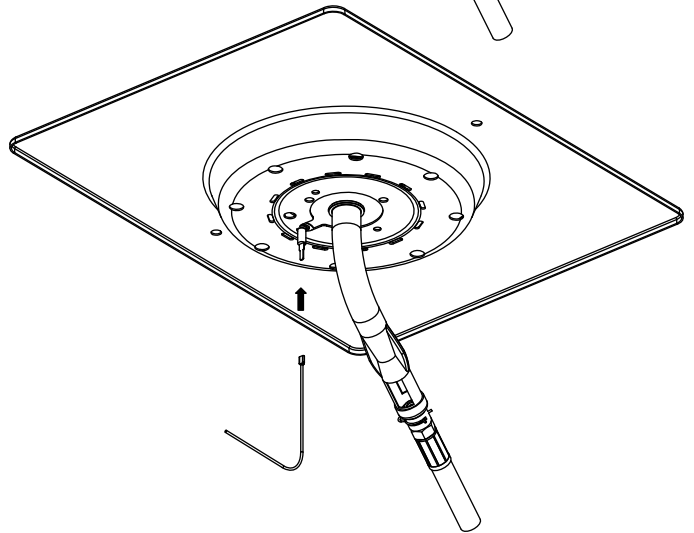
2

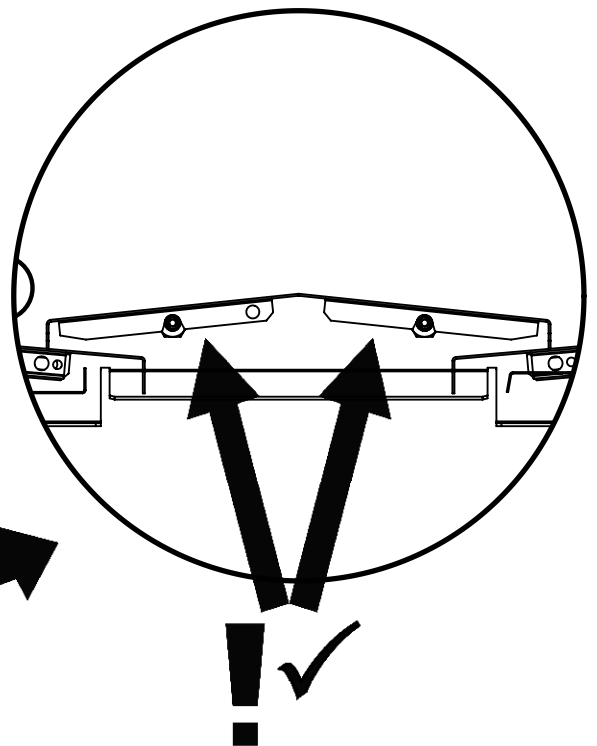
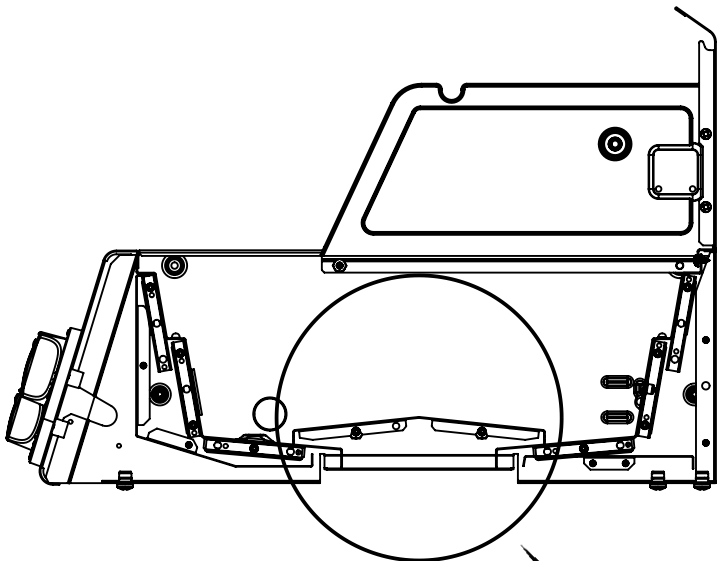
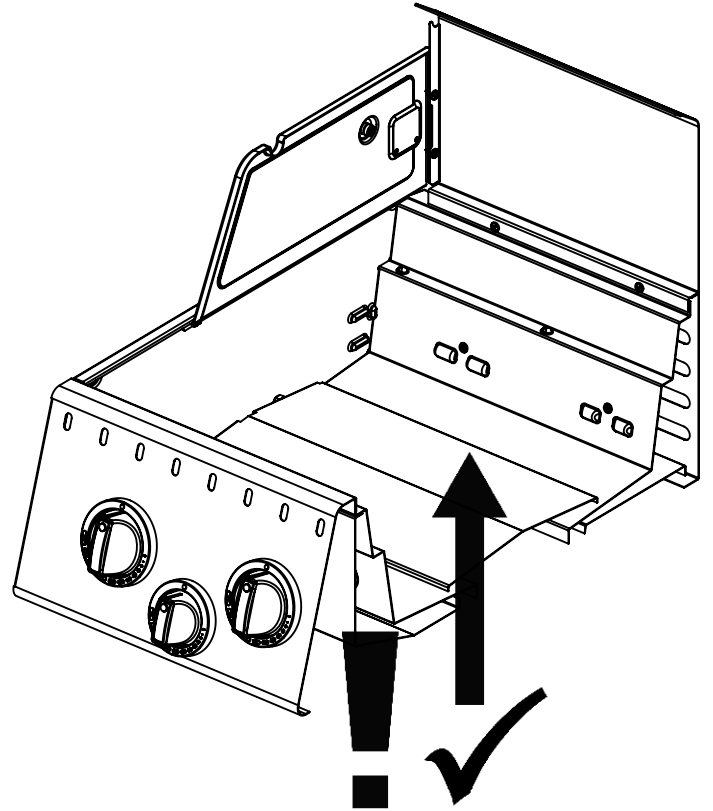
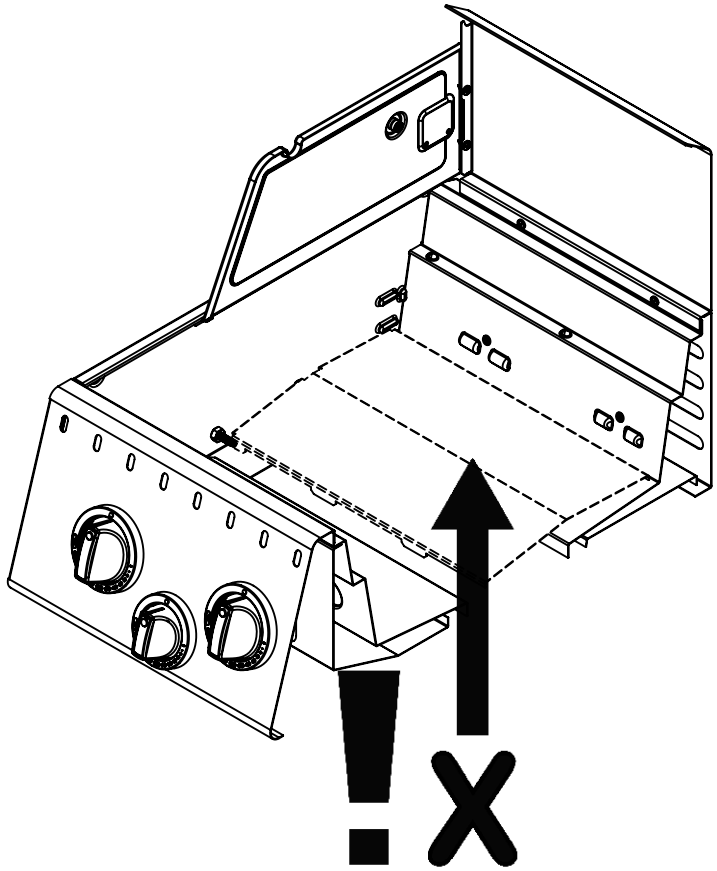


3

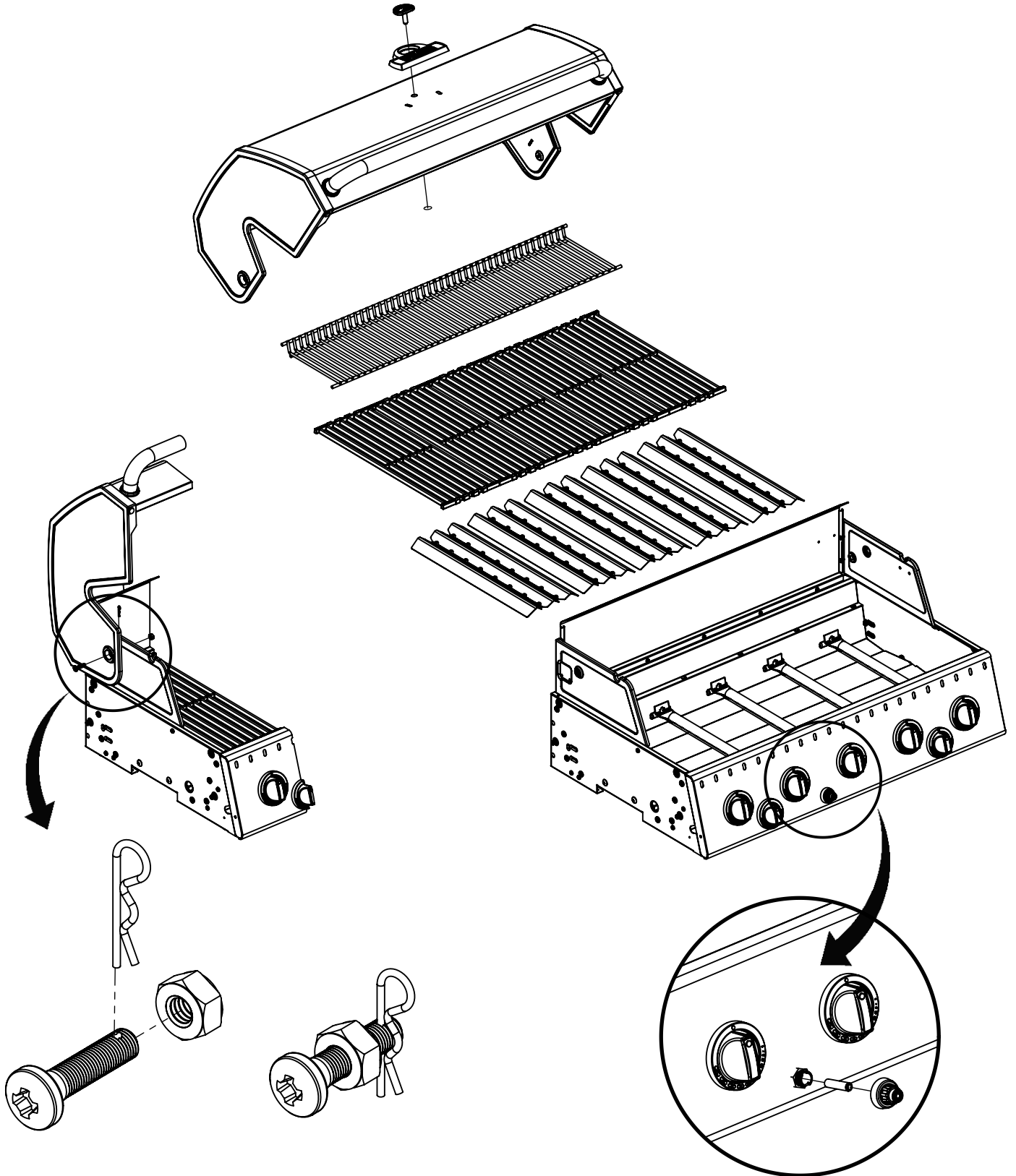
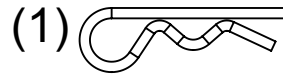
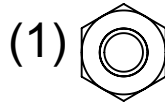
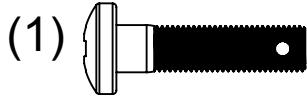


4

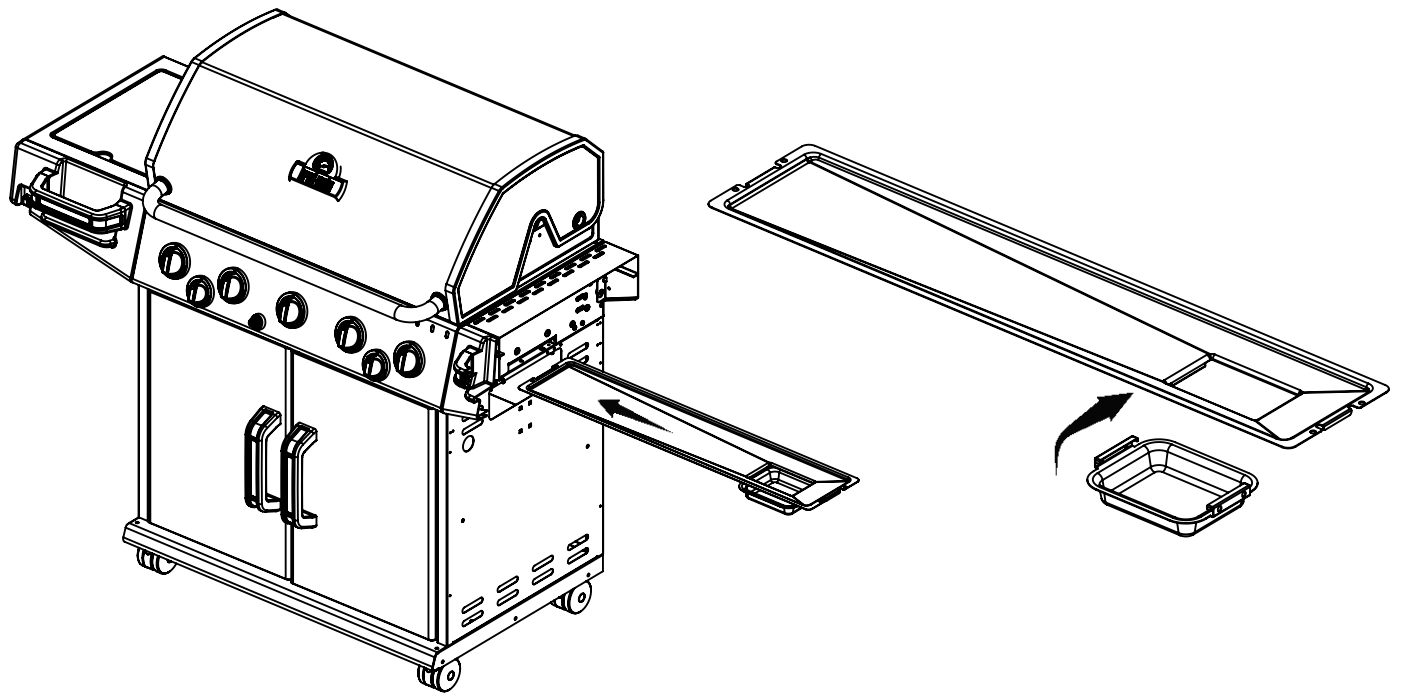




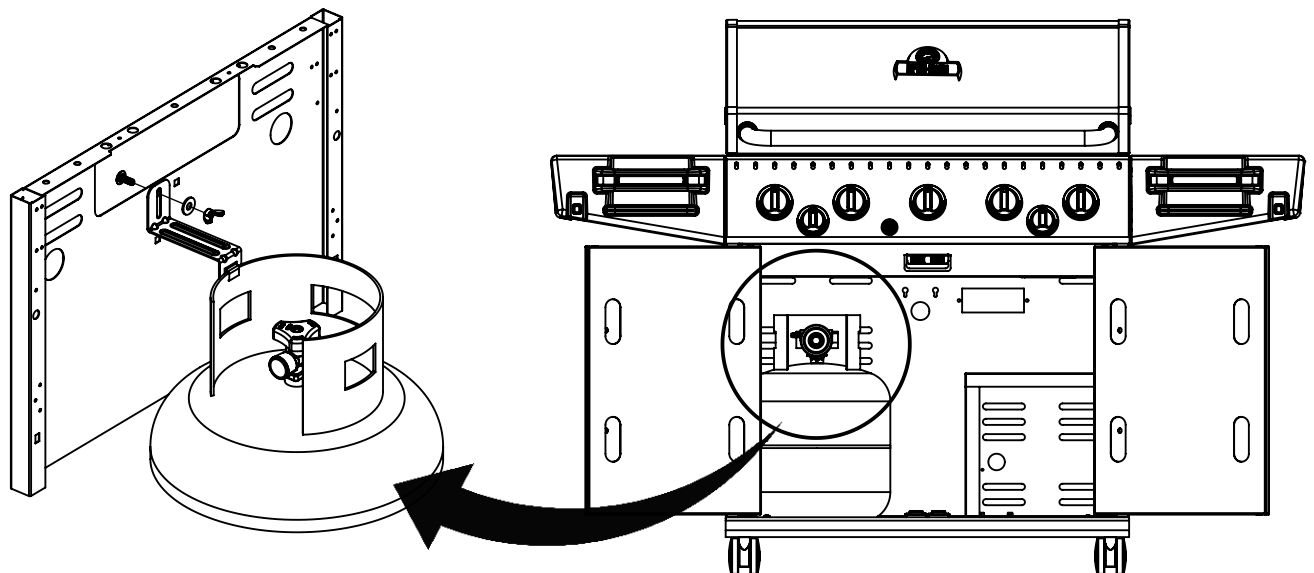
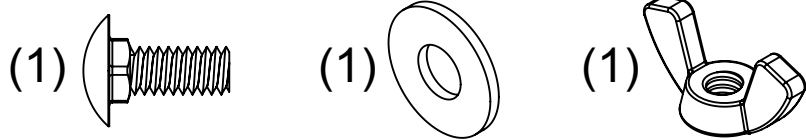
16



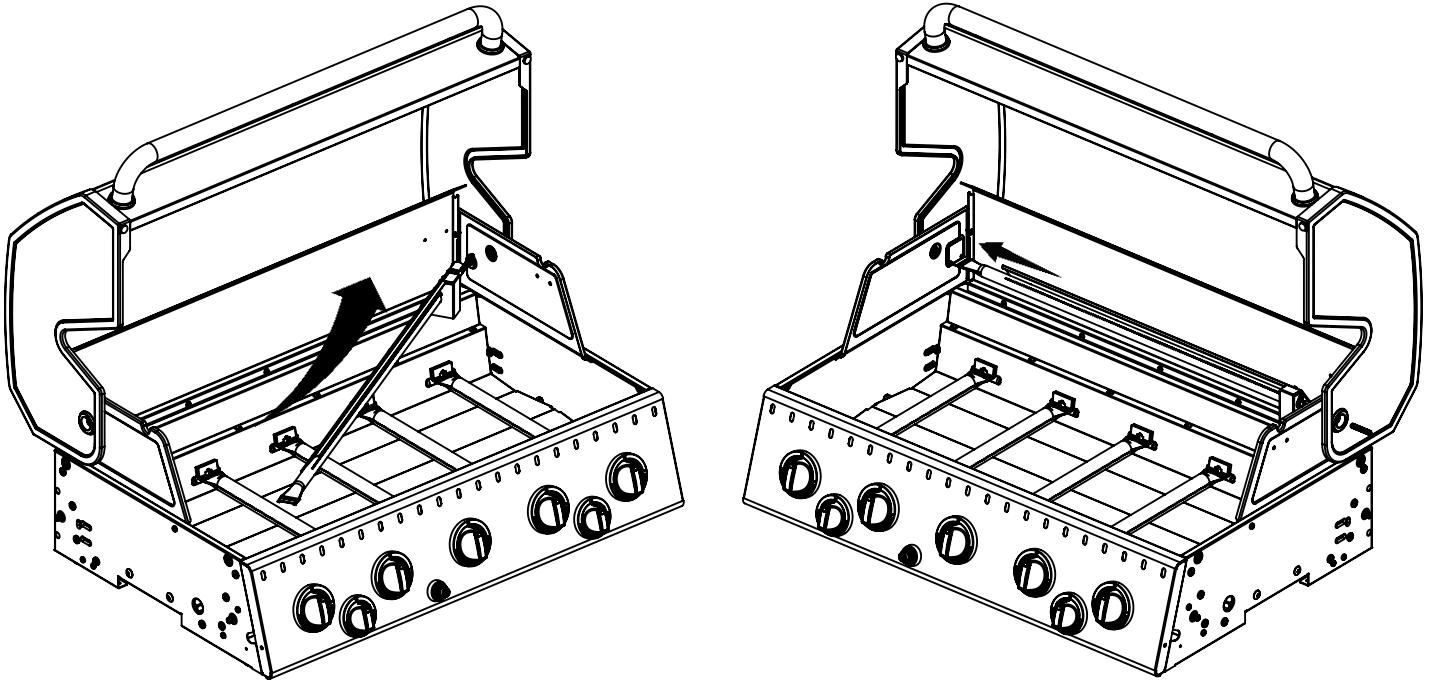
17



18



19



20

