



Commercial Dryers

Safety Information 2-5

Operating Instructions

Countdown Display 7

Reversing the Door 6

Venting 8

Care and Cleaning 9

Consumer Support

Consumer Support Back Cover

General Principles

of Good Practice 11

Warranty 10

Owner's Manual

DMCD330

Write the model and serial numbers here:

Model # _____

Serial # _____

They are on the label on the front of the dryer behind the door.



**IMPORTANT SAFETY INFORMATION.
READ ALL INSTRUCTIONS BEFORE USING.**

⚠ WARNING!

For your safety, the information in this manual must be followed to minimize the risk of fire or explosion, electric shock, or to prevent property damage, personal injury, or death.

Installation and service must be performed by a qualified installer, service agency or the gas supplier.

FOR GAS DRYERS: YOU MUST POST IN A PROMINENT LOCATION

- 1. Instructions to follow if the user smells gas: Contact your local gas supplier for information to be displayed.*
- 2. Instructions concerning flammable materials as follows:*

FOR YOUR SAFETY:

Do not store or use gasoline or other flammable vapors and liquids in the vicinity of this or any other appliance.

California Safe Drinking Water and Toxic Enforcement Act

This act requires the governor of California to publish a list of substances known to the state to cause cancer, birth defects or other reproductive harm and requires businesses to warn customers of potential exposure to such substances.

Gas appliances can cause minor exposure to four of these substances, namely benzene, carbon monoxide, formaldehyde and soot, caused primarily by the incomplete combustion of natural gas or LP fuels.

Properly adjusted dryers will minimize incomplete combustion. Exposure to these substances can be minimized further by properly venting the dryer to the outdoors.



PROPER INSTALLATION

This dryer must be properly installed and located in accordance with the *Installation Instructions* before it is used. If you did not receive an *Installation Instructions* sheet, you can receive one by visiting ge.com, or by calling 800.GE.CARES (800.432.2737).

- Properly ground dryer to conform with all governing codes and ordinances. Follow details in the *Installation Instructions* section.
- Install or store where it will not be exposed to temperatures below freezing or exposed to the weather.
- Connect to a properly rated, protected and sized power supply circuit to avoid electrical overload.
- Remove all sharp packing items and dispose of all shipping materials properly.
- In fulfilling the specific needs of different commercial installations, the purchaser of this dryer may wish to locate the coin box and controls in any of a number of locations. The responsibility for the proper performance of this work lies solely with the purchaser. It should be done by properly trained and qualified personnel, and in accordance with local code requirements.
- Any coin box or similar device added to the dryer, either electrically or mechanically, should be properly grounded.
- Remove any accumulated time by manually rotating timing cam in the coin box counterclockwise until switch shuts off. Apply a slight additional counterclockwise pressure to further seat drive. Make certain not to turn cam past switch shutoff position. Otherwise, one increment of time will be gained. Switches are off when the plastic switch actuating arm (inner) is down and all 3 switch buttons are depressed.

Exhaust/Ducting

- 1 This dryer **MUST** be exhausted to the outside.
- 2 Use only rigid metal 4" diameter ductwork inside the dryer cabinet. Use only rigid metal or flexible metal 4" diameter ductwork for exhausting to the outside. **USE OF PLASTIC OR OTHER COMBUSTIBLE DUCTWORK CAN CAUSE A FIRE. PUNCTURED DUCTWORK CAN CAUSE A FIRE IF IT COLLAPSES OR BECOMES OTHERWISE RESTRICTED IN USE OR DURING INSTALLATION.**

Follow details in the *Installation Instructions* section.

IMPORTANT SAFETY INFORMATION. READ ALL INSTRUCTIONS BEFORE USING.

▲ WARNING!



YOUR LAUNDRY AREA

- Keep the area underneath and around your appliances free of combustible materials, such as lint, paper, rags, chemicals, gasoline and other flammable vapors and liquids.
- Keep the floor around your appliances clean and dry to reduce the possibility of slipping.
- Keep area around the exhaust opening and surrounding areas free from the accumulation of lint, dust and dirt.
- Do not obstruct the flow of ventilating air. Do not stack or place laundry or throw rugs against the front or back of the dryer.
- Close supervision is necessary if this appliance is used by or near children. Do not allow children to play on, with or inside this or any other appliance.
- Keep all laundry aids (such as detergents, bleaches, etc.) out of the reach of children, preferably in a locked cabinet. Observe all warnings on container labels to avoid injury.
- Never climb on or stand on the dryer top.
- Do not install or store this appliance where it will be exposed to the weather.



WHEN USING YOUR DRYER

- Never reach into the dryer while the drum is moving. Before loading, unloading or adding clothes, wait until the drum has completely stopped.
- **Clean the lint filter before each load** to prevent lint accumulation inside the dryer or in the room. **DO NOT OPERATE THE DRYER WITHOUT THE LINT FILTER IN PLACE.**
- Do not wash or dry articles that have been cleaned in, washed in, soaked in or spotted with combustible or explosive substances (such as wax, oil, paint, gasoline, degreasers, dry-cleaning solvents, kerosene, etc.) which may ignite or explode. Do not add these substances to the wash water. Do not use or place these substances around your washer or dryer during operation.
- Any article on which you have used a cleaning solvent or that contains flammable materials (such as cleaning cloths, mops, towels used in beauty salons, restaurants or barber shops, etc.) must not be placed in or near the dryer until solvents or flammable materials have been removed. There are many highly flammable items used in homes such as acetone, denatured alcohol, gasoline, kerosene, some household cleaners, some spot removers, turpentine, waxes, wax removers and products containing petroleum distillates.
- The laundry process can reduce the flame retardancy of fabrics. To avoid such a result, carefully follow the garment manufacturer's care instructions.
- Do not dry articles containing rubber, plastic or similar materials such as padded bras, tennis shoes, galoshes, bath mats, rugs, bibs, baby pants, plastic bags, pillows, etc. that may melt or burn. Some rubber materials, when heated, can under certain circumstances produce fire by spontaneous combustion.
- Do not store plastic, paper or clothing that may burn or melt on top of the dryer during operation.
- Garments labeled *Dry Away from Heat* or *Do Not Tumble Dry* (such as life jackets containing Kapok) must not be put in your dryer.
- Do not dry fiberglass articles in your dryer. Skin irritation could result from the remaining particles that may be picked up by clothing during subsequent dryer uses.
- To minimize the possibility of electric shock, unplug this appliance from the power supply or disconnect the dryer at the distribution panel by removing the fuse or switching off the circuit breaker before attempting any maintenance or cleaning (except the removal and cleaning of the lint filter). **NOTE:** Turning the Cycle Selector knob to an off position does NOT disconnect the appliance from the power supply.
- Do not spray any type of aerosol into, on or near dryer at any time.
- Do not place items exposed to cooking oils in your dryer. Items contaminated with cooking oils may contribute to a chemical reaction that could cause a load to catch fire.



WHEN USING YOUR DRYER (cont.)

- Never attempt to operate this appliance if it is damaged, malfunctioning, partially disassembled, or has missing or broken parts, including a damaged cord or plug.
- The interior of the machine and the exhaust duct connection inside the dryer should be cleaned at least once a year by a qualified technician. See the *Care and Cleaning* section. Do not use any type of spray cleaner when cleaning dryer interior. Hazardous fumes or electrical shock could occur.
- If yours is a gas dryer, it is equipped with an automatic electric ignition and does not have a pilot light. **DO NOT ATTEMPT TO LIGHT WITH A MATCH.** Burns may result from having your hand in the vicinity of the burner when the automatic ignition turns on.
- You may wish to soften your laundered fabrics or reduce the static electricity in them by using a dryer-applied fabric softener or an anti-static conditioner. We recommend you use either a fabric softener in the wash cycle, according to the manufacturer's instructions for those products, or try a dryer-added product for which the manufacturer gives written assurance on the package that their product can be safely used in your dryer. Service or performance problems caused by use of these products are the responsibility of the manufacturers of those products and are not covered under the warranty to this appliance.



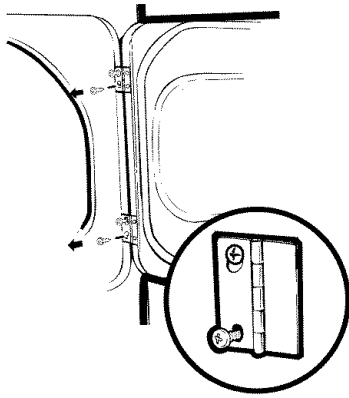
WHEN NOT USING YOUR DRYER

- Grasp the plug firmly when disconnecting this appliance to avoid damage to the cord while pulling. Place the cord away from traffic areas so it will not be stepped on, tripped over or subjected to damage.
- Do not attempt to repair or replace any part of this appliance or attempt any servicing unless specifically recommended in this Owner's Manual or in published user-repair instructions that you understand and have the skills to carry out.
- Before discarding a dryer, or removing it from service, remove the dryer door to prevent children from hiding inside.
- Do not tamper with controls.



**READ AND FOLLOW THIS SAFETY INFORMATION CAREFULLY.
SAVE THESE INSTRUCTIONS**

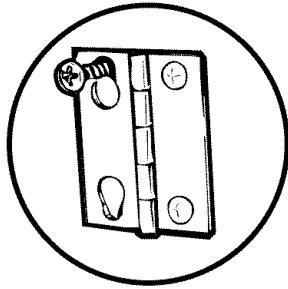
Reversing the door.



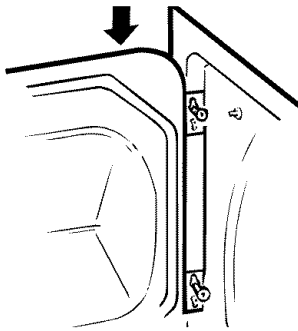
Tools needed:

- Standard #2 Phillips screwdriver
- Tape-tipped putty knife

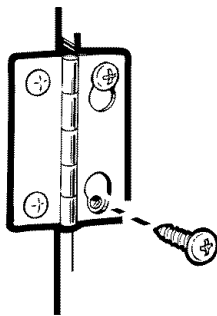
- 1 Open the door and remove the filler plugs opposite the hinges. With the door completely open, remove the bottom screw from each hinge on the dryer face. Insert these screws about halfway into the **TOP** holes, for each hinge, on the opposite side (where you removed the filler plugs). Apply firm pressure to get the screw started in new holes.



- 2 Loosen top screw from each hinge on the dryer face halfway. With one hand holding the top of the door and the other hand holding the bottom, remove the door from the dryer by lifting it **UP** and **OUT**.



- 3 Rotate the door 180°. Insert it on the opposite side of the opening by moving the door **IN** and **DOWN** until the top hinge and the bottom hinge are resting on the top screws inserted in step 1.

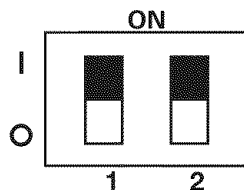


- 4 Remove the remaining screws from the side of the opening from which the door was removed. With these screws, secure each hinge at the bottom. Tighten the two top screws of each hinge. Reinsert the plastic plugs on the side from which the door was removed.

Countdown display. (DCCD models only)

ge.com

The countdown display shows the remaining operating time as well as the current drying cycle. The display board is configured for a 45-minute dry time at the factory to correspond with the 45-minute timer cam pre-installed in the coin box. If the timer cam is modified for another operating duration, the dip switches on the display board should be set as follows:



DRYING TIME (minutes)	DIP SWITCH NUMBERS	
	1	2
45	1	1
60	1	0
90	0	1
120	0	0

NOTE: This display does not accumulate time. See the following examples of display possibilities.

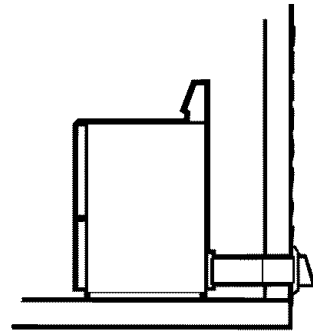
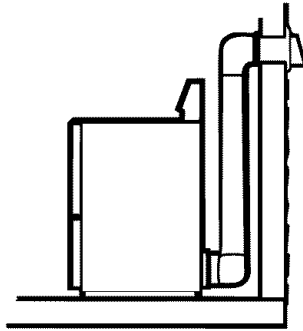
DIP SWITCH SETTING (min)	COIN SLIDE ACTUATIONS	DISPLAY READING (min)
45	1	45 to 0, then blank
45	2	45 to 1, then 1 for next 45 min., then 0 and blank
120	1	99 for 21 minutes, then 98 to 0, then blank

Venting the dryer.

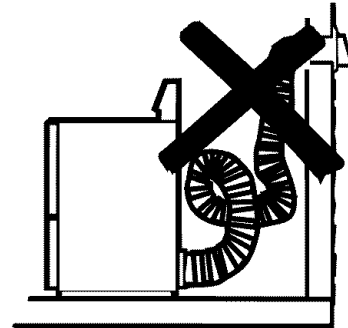
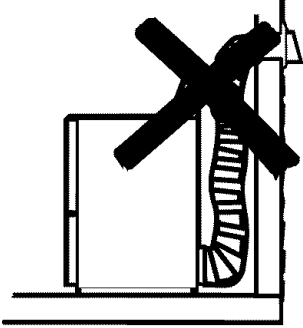
For the best drying performance, the dryer needs to be properly vented. **The dryer will use more energy and run longer if it is not vented to the below specifications. Carefully follow the details on Exhausting in the Installation Instructions.**

- Use only rigid metal 4" diameter ductwork inside the dryer cabinet. Use only rigid metal or flexible metal 4" diameter ductwork for exhausting to the outside.
- Do not use plastic or other combustible ductwork.
- Use the shortest length possible.
- Do not crush, kink or collapse the duct.
- Avoid resting the duct on sharp objects.
- **Venting must conform to local building codes.**

Correct Venting



Incorrect Venting

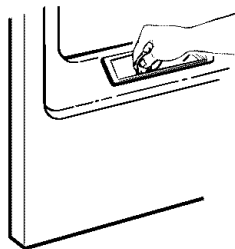




Care and Cleaning of the Dryer

The Exterior: Wipe or dust any spills or washing compounds with a damp cloth. Dryer control panel and finishes may be damaged by some laundry pretreatment soil and stain remover products. Apply these products away from the dryer. The fabric may then be washed and dried normally. Damage to your dryer caused by these products is not covered by your warranty.

The Lint Filter: Clean the lint filter before each use. Moisten your fingers and reach into the filter opening. Run your fingers across the filter. Have a qualified technician vacuum the lint from the dryer once a year.



The Exhaust Duct: Inspect and clean the exhaust ducting at least once a year to prevent clogging. A partially clogged exhaust can lengthen the drying time.

Follow these steps:

- 1 Turn off electrical supply by disconnecting the plug from the wall socket.
- 2 Disconnect the duct from the dryer.
- 3 Vacuum the duct with the hose attachment and reconnect the duct.

The Exhaust Hood: Check from the outside that the flaps of the hood move freely when operating. Make sure that there is no wildlife (birds, insects, etc.) nesting inside the duct or hood.

GE Commercial Dryer Warranty.

Coin-Operated Model DMCD330 Only



All warranty service provided by our Factory Service Centers, General Electric Commercial Laundry Distributors or an authorized Customer Care® technician. To get customer support, on-line, visit us at gecommerciallaundry.com, or call 800.GE.CARES (800.432.2737). Please have serial number and model number available when calling for service.

Staple your receipt here. Proof of the original purchase date is needed to obtain service under the warranty.

Safety Instructions

For The Period Of:	We Will Replace:
90 Days From the date of the original purchase	Any part of the dryer (except the coin system*) which fails due to a defect in materials or workmanship. During this limited 90-day warranty , GE will also provide, free of charge , all labor and related service to replace the defective part.
Three Years From the date of the original purchase	Any part of the dryer which fails due to a defect in materials or workmanship. During this limited three-year warranty , you will be responsible for any labor and related service costs.
Fourth through Fifth Year From the date of the original purchase	The dryer drum , if it should fail due to a defect in materials or workmanship, and the cabinet side panels, base and cover , if they should fail due to rust-through. During this limited additional two-year warranty , you will be responsible for any labor and related service costs.

Operating Instructions

What Is Not Covered:

- *Coin System (including the coin drop meter, coin slide mechanism, coin vault and locks) is covered under a separate manufacturer's warranty. See insert for details.
- Service trips to your place of business to teach you how to use the product.
- Improper installation, delivery or maintenance.
- Failure of the product if it is abused, misused, or used for other than the intended purpose.
- Damage caused after delivery.
- Replacement of the light bulb.
- Any and all implied warranties of merchantability and fitness for a particular purpose.
- Replacement of fuses or resetting of circuit breakers at place of business.
- Damage to the product caused by accident, fire, floods or acts of God.
- Incidental or consequential damage caused by possible defects with this appliance.
- Product not accessible to provide required service.

Care and Cleaning

EXCLUSION OF IMPLIED WARRANTIES—Your sole and exclusive remedy is product repair as provided in this Limited Warranty. Any implied warranties, including the implied warranties of merchantability or fitness for a particular purpose, are limited to one year or the shortest period allowed by law.

Consumer Support

This warranty is extended to the original purchaser and any succeeding owner for products purchased for commercial use within the USA. If the product is located in an area where service by a GE Authorized Servicer is not available, you may be responsible for a trip charge or you may be required to bring the product to an Authorized GE Service location for service. In Alaska, the warranty excludes the cost of shipping to your place of business.

Some states do not allow the exclusion or limitation of incidental or consequential damages. This warranty gives you specific legal rights, and you may also have other rights which vary from state to state. To know what your legal rights are, consult your local or state consumer affairs office or your state's Attorney General.

Warrantor: General Electric Company. Louisville, KY 40225

AUTOMATIC DRYER COMMERCIAL APPLICATION GENERAL ELECTRIC DRYERS GENERAL PRINCIPLES OF GOOD PRACTICE (COIN-OPERATED MODELS ONLY)

In fulfilling the specific needs of different commercial installations, the purchaser of this General Electric automatic dryer may wish to locate the coin box and controls in any of a number of locations. The responsibility for the proper performance of this work lies solely with the purchaser. It should be done by properly trained and qualified personnel, and in accordance with local code requirements.

In addition, General Electric Company assumes no responsibility or liability whatsoever to the purchaser for any patent infringement expenses, either in the form of damages or legal costs, where the alleged infringement is based on a patent claim including one or more components added by the purchaser (i.e., not supplied by General Electric Company with the purchased dryer).

Set forth below are some general principles which should be followed by persons installing the coin box and controls in the desired location. This listing is not all-inclusive, and is only intended to serve as a general guide. These principles are intended to supplement, not modify, the Installation Instructions which accompany the automatic dryer.

1. Any component added to the automatic dryer, either electrically or mechanically, should be properly grounded.
2. All current-carrying metal parts should be isolated from possible contact by the user.
3. All wiring should be properly protected from sharp edges, burrs, moving parts and other agencies which might cause abrasion of the insulation on the conductors.
4. All electrical connections should be mechanically secure, and should provide adequate and reliable electrical contact under conditions, such as vibration, to which they may be subjected.
5. All electrical components, wires and terminals should be of proper electrical rating for the specific application.
6. All insulating materials should remain effective under the specific conditions to which they will be exposed (e.g., humidity, temperature, etc.).
7. The installation should not be incompatible with the electrical circuit within the automatic dryer nor in any manner interfere with either the safety devices or the sequence of operations of the cycle which are engineered into the appliance.
8. Uninsulated current-carrying metal parts should have adequate and ensured permanence of spacing from other parts.

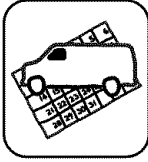
Consumer Support.



GE Appliances Website

ge.com

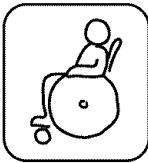
Have a question or need assistance with your appliance? Try the GE Appliances Website 24 hours a day, any day of the year! For greater convenience and faster service, you can now download Owner's Manuals, order parts or even schedule service on-line.



Schedule Service

ge.com

Expert GE repair service is only one step away from your door. Get on-line and schedule your service at your convenience 24 hours any day of the year! Or call 800.GE.CARES (800.432.2737) during normal business hours.



Real Life Design Studio

ge.com

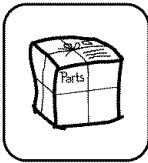
GE supports the Universal Design concept—products, services and environments that can be used by people of all ages, sizes and capabilities. We recognize the need to design for a wide range of physical and mental abilities and impairments. For details of GE's Universal Design applications, including kitchen design ideas for people with disabilities, check out our Website today. For the hearing impaired, please call 800.TDD.GEAC (800.833.4322).



Extended Warranties

ge.com

Purchase a GE extended warranty and learn about special discounts that are available while your warranty is still in effect. You can purchase it on-line anytime, or call 800.626.2224 during normal business hours. GE Consumer Home Services will still be there after your warranty expires.



Parts and Accessories

ge.com

Individuals qualified to service their own appliances can have parts or accessories sent directly to their homes (VISA, MasterCard and Discover cards are accepted). Order on-line today, 24 hours every day or by phone at 800.626.2002 during normal business hours.

Instructions contained in this manual cover procedures to be performed by any user. Other servicing generally should be referred to qualified service personnel. Caution must be exercised, since improper servicing may cause unsafe operation.



Contact Us

ge.com

If you are not satisfied with the service you receive from GE, contact us on our Website with all the details including your phone number, or write to: General Manager, Customer Relations
GE Appliances, Appliance Park
Louisville, KY 40225



Register Your Appliance

ge.com

Register your new appliance on-line—at your convenience! Timely product registration will allow for enhanced communication and prompt service under the terms of your warranty, should the need arise. You may also mail in the pre-printed registration card included in the packing material.