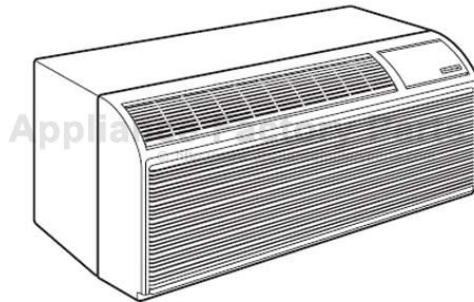


This Owner's Manual is provided and hosted by [Appliance Factory Parts](#).



FRIEDRICH PDH15K**B-A Owner's Manual

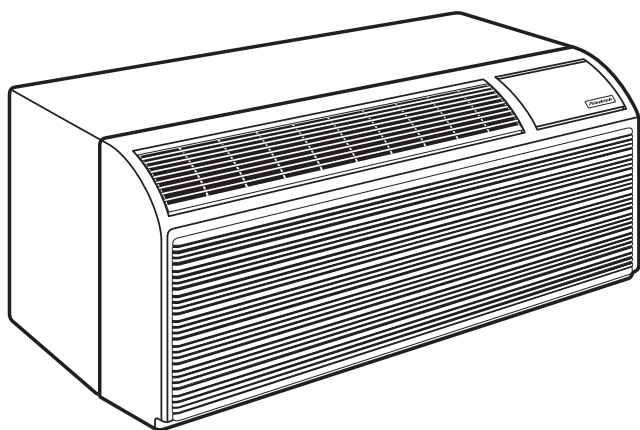
[Shop genuine replacement parts for FRIEDRICH
PDH15K**B-A](#)



[Find Your FRIEDRICH Air Conditioner Parts - Select From 1575 Models](#)

----- Manual continues below -----

Parts Manual



PTAC PD Series (Electronic Controls)

Packaged Terminal Air Conditioners

Packaged Terminal Heat Pumps

Serial Number LEAP and Later

MODELS

| | | | |
|--------------------|--------------------|--------------------|--------------------|
| PDE07K**B-A | PDE12K**B-A | PDH07K**B-A | PDH12K**B-A |
| PDE07R**B-A | PDE12R**B-A | PDH07R**B-A | PDH12R**B-A |
| PDE09K**B-A | PDE15K**B-A | PDH09K**B-A | PDH15K**B-A |
| PDE09R**B-A | PDE15R**B-A | PDH09R**B-A | PDH15R**B-A |

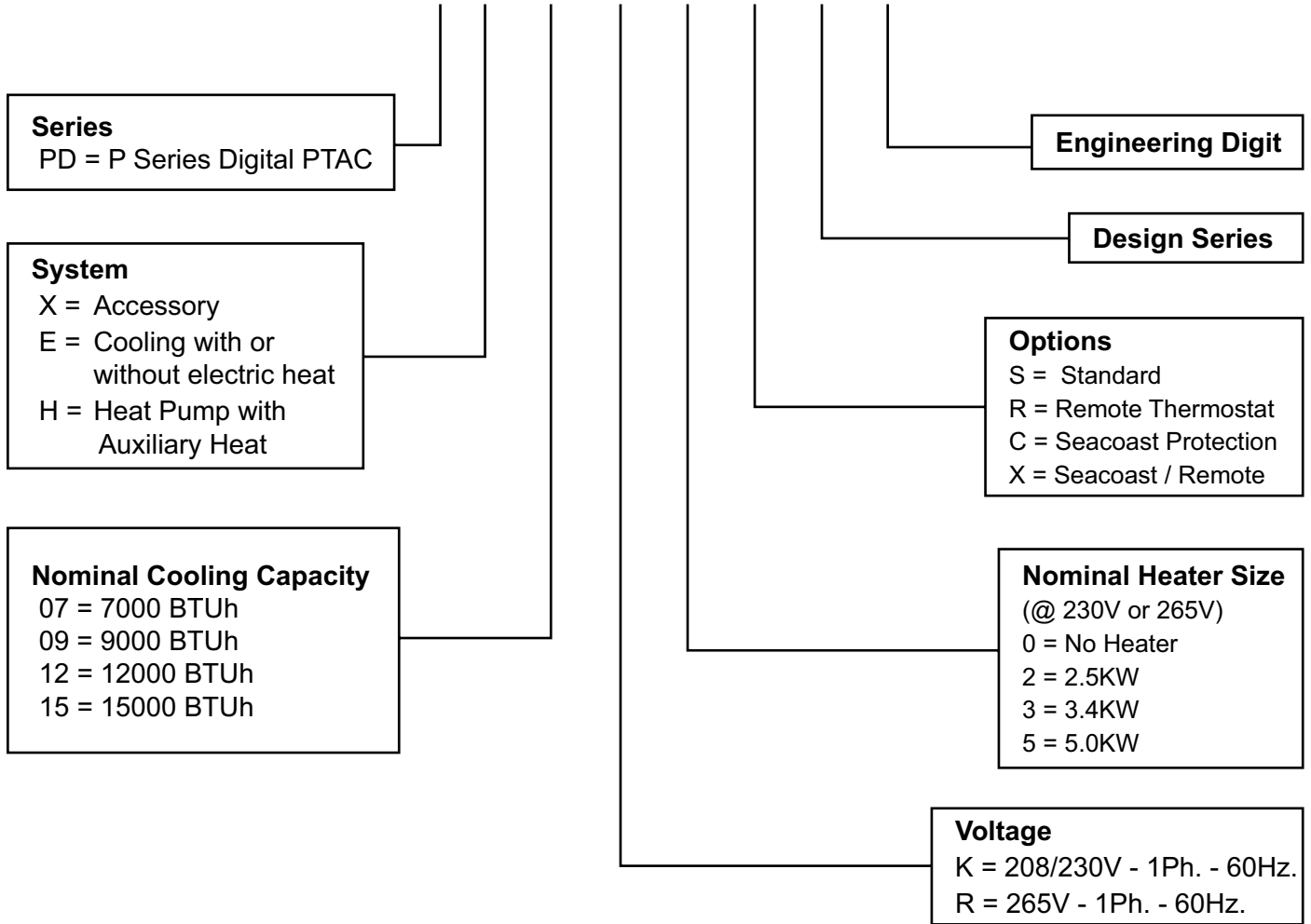
Table of Contents

| | |
|---|----|
| PTAC Model Number Identification Guide..... | 3 |
| PTAC Serial Number Identification Guide | 3 |
| Unit Assembly..... | 4 |
| Unit Assembly Parts List..... | 5 |
| Air Handler | 6 |
| Air Handler Parts List | 7 |
| Control Box Assembly | 8 |
| Front Cover Assembly..... | 10 |
| Notes | 11 |

UNIT IDENTIFICATION

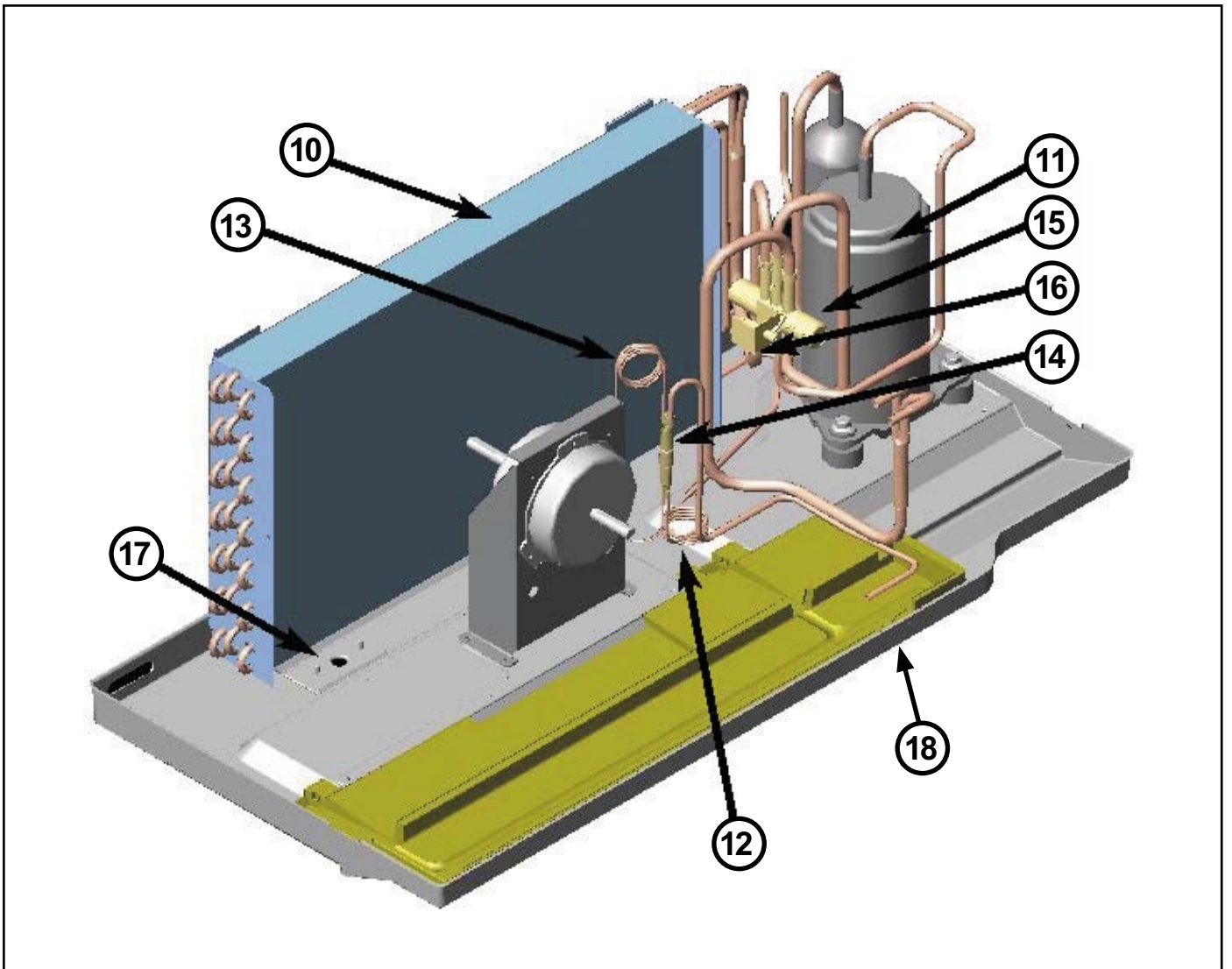
Model Number Code

PD H 07 K 3 S B A



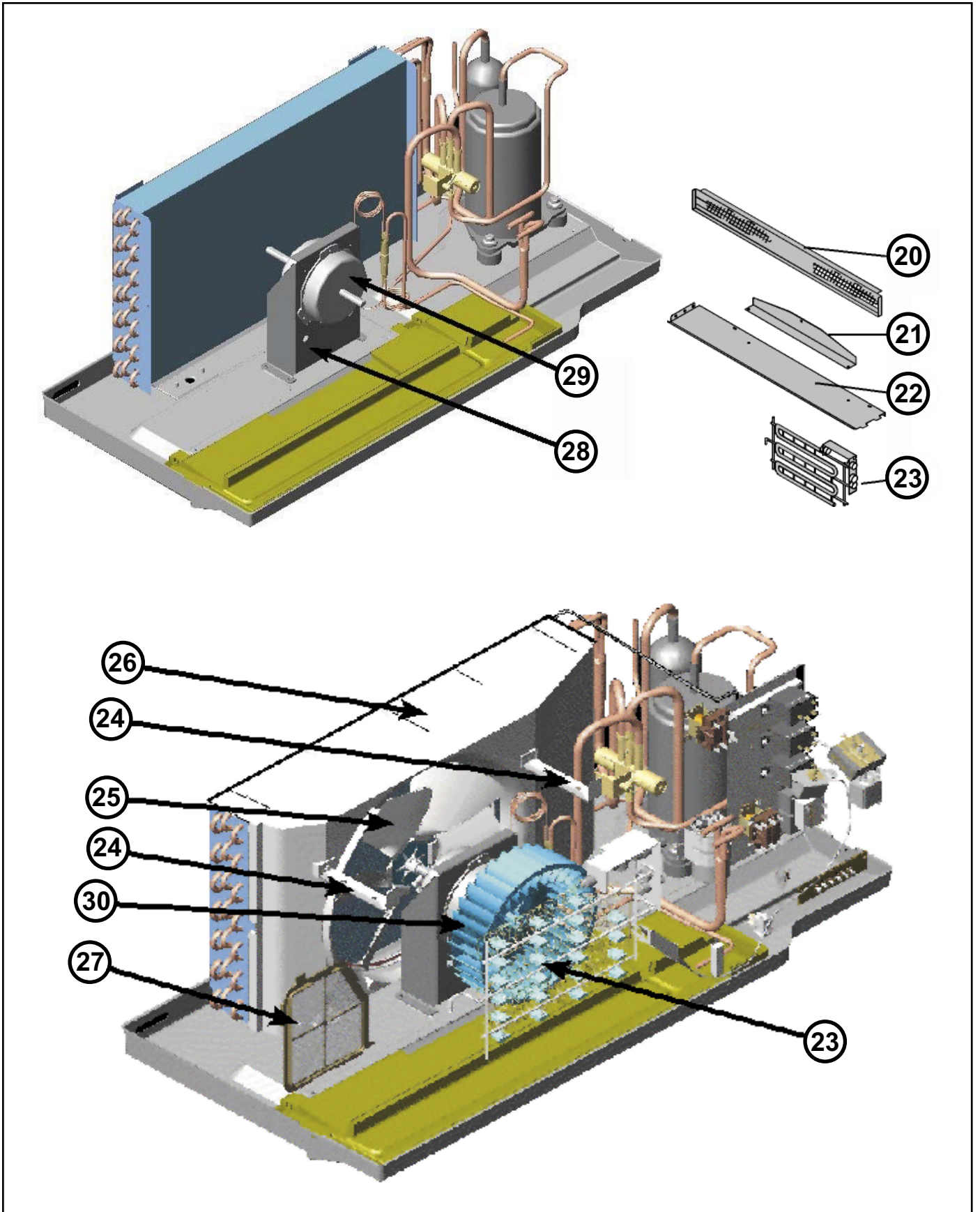
| PTAC Serial Number Identification Guide | | | | | |
|---|----------|----------|----------|----------|--|
| Serial Number | L | E | A | P | 00000 |
| | | | | | Production Run Number |
| Decade Manufactured L = 0 C = 3 F = 6 J = 9 A = 1 D = 4 G = 7 B = 2 E = 5 H = 8 | | | | | Product Line R = RAC P = PTAC E = EAC V = VPAK H = DSS |
| Year Manufactured A = 1 C = 3 E = 5 G = 7 J = 9 B = 2 D = 4 F = 6 H = 8 K = 0 | | | | | |
| Month Manufactured A = Jan D = Apr G = Jul K = Oct B = Feb E = May H = Aug L = Nov C = Mar F = Jun J = Sep M = Dec | | | | | |

UNIT ASSEMBLY



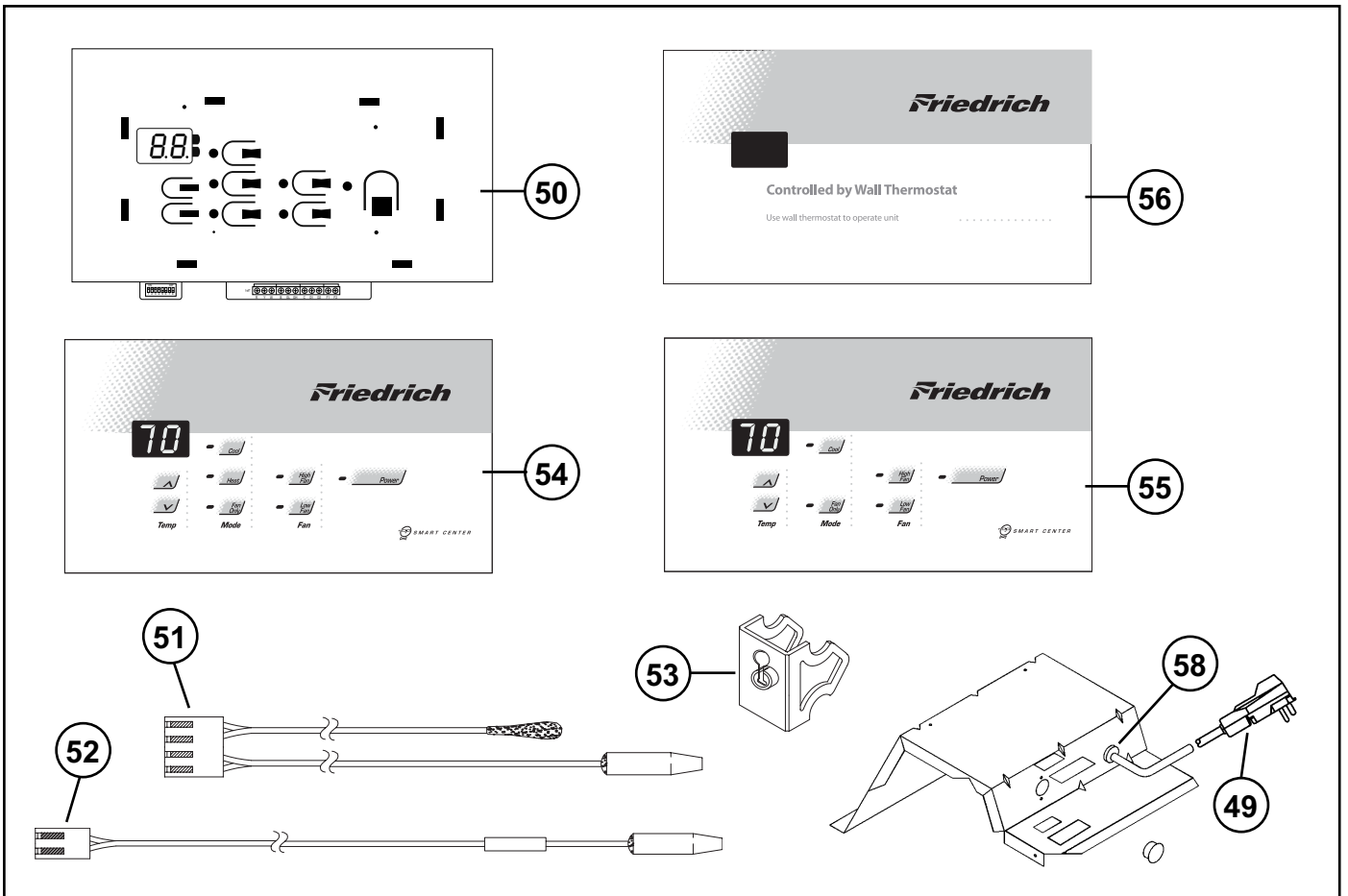
| REF. | PART NO. | DESCRIPTION | 07 | 09 | 12 | 15 | NOTES |
|------|----------|--|----|----|----|----|----------|
| N/S | 25059400 | Coil, Indoor | 1 | 1 | 1 | - | |
| N/S | 25065000 | Coil, Indoor | - | - | - | 1 | |
| 10 | 25014820 | Coil, Outdoor | 1 | 1 | 1 | 1 | |
| 10 | 25014821 | Coil, Outdoor | 1 | 1 | 1 | 1 | Seacoast |
| 10 | 25064800 | Coil, Outdoor- Heat Pump Only | - | - | - | 1 | |
| 10 | 25064801 | Coil, Outdoor- Heat Pump Only | - | - | - | 1 | Seacoast |
| 11 | 25024915 | Compressor, 230 Volt | 1 | - | - | - | |
| 11 | 25024908 | Compressor, 230 Volt | - | 1 | - | - | |
| 11 | 25024907 | Compressor, 230 Volt | - | - | 1 | - | |
| 11 | 25024910 | Compressor, 230 Volt | - | - | - | 1 | |
| 11 | 25024914 | Compressor, 265 Volt | 1 | - | - | - | |
| 11 | 25024913 | Compressor, 265 Volt | - | 1 | - | - | |
| 11 | 25024912 | Compressor, 265 Volt | - | - | 1 | - | |
| 11 | 25024911 | Compressor, 265 Volt | - | - | - | 1 | |
| 12 | 03760548 | Cap Tube A/C-Electric Only | 1 | - | - | - | |
| 12 | 03760547 | Cap Tube A/C-Electric Only | - | 1 | - | - | |
| 12 | 03760511 | Cap Tube A/C-Electric Only | - | - | 1 | - | |
| 12 | 01389985 | Cap Tube A/C-Electric Only | - | - | - | 1 | |
| 12 | 03760547 | Cap Tube, Cooling, Heat Pump | 1 | - | - | - | |
| 12 | 03760547 | Cap Tube, Cooling, Heat Pump | - | 1 | - | - | |
| 12 | 01390000 | Cap Tube, Cooling, Heat Pump | - | - | 1 | - | |
| 12 | 01389975 | Cap Tube, Cooling, Heat Pump | - | - | - | 1 | |
| 13 | 03760473 | Cap Tube, Heating, Heat Pump | 1 | - | - | - | |
| 13 | 03760547 | Cap Tube, Heating, Heat Pump | - | 1 | - | - | |
| 13 | 01389975 | Cap Tube, Heating, Heat Pump | - | - | 1 | - | |
| 13 | 01389985 | Cap Tube, Heating, Heat Pump | - | - | - | 1 | |
| 14 | 25057200 | Check Valve | 1 | - | - | - | |
| 14 | 25057201 | Check Valve | - | 1 | 1 | 1 | |
| 15 | 25022010 | Reversing Valve Kit (Includes Solenoids) | 1 | 1 | - | - | |
| 15 | 25022020 | Reversing Valve Kit (Includes Solenoids) | - | - | 1 | 1 | |
| 16 | 25022050 | Solenoid Coil 230 Volt | 1 | 1 | 1 | 1 | |
| 16 | 25022060 | Solenoid Coil 265 Volt | 1 | 1 | 1 | 1 | |
| 17 | 60179903 | Condensate Valve (bellows type) | 1 | 1 | 1 | 1 | |
| 18 | 25014502 | Drain Pan | 1 | 1 | 1 | 1 | |
| N/S | 61764537 | Overload Compressor 230 Volt | 1 | - | - | - | |
| N/S | 61764535 | Overload Compressor 230 Volt | - | 1 | - | - | |
| N/S | 61764521 | Overload Compressor 230 Volt | - | - | 1 | - | |
| N/S | 61764532 | Overload Compressor 230 Volt | - | - | - | 1 | |
| N/S | 61764543 | Overload Compressor 265 Volt | 1 | - | - | - | |
| N/S | 61764542 | Overload Compressor 265 Volt | - | 1 | - | - | |
| N/S | 61764541 | Overload Compressor 265 Volt | - | - | 1 | - | |
| N/S | 61764538 | Overload Compressor 265 Volt | - | - | - | 1 | |

AIR HANDLER



| REF. | PART NO. | DESCRIPTION | 07 | 09 | 12 | 15 | NOTES |
|------|----------|---------------------------------------|----|----|----|----|--------------|
| 20 | 25038401 | Discharge Screen | 1 | 1 | 1 | 1 | |
| 21 | 25067500 | Air Deflector | 1 | 1 | 1 | 1 | |
| 22 | 25016011 | Deck | 1 | 1 | 1 | 1 | |
| 23 | 25059160 | Heater, 2.5 kW @ 230 Volt | 1 | 1 | 1 | 1 | |
| 23 | 25059161 | Heater, 3.4 kW @ 230 Volt | 1 | 1 | 1 | 1 | |
| 23 | 25059184 | Heater, 5.0 kW @ 230 Volt | 1 | 1 | 1 | 1 | |
| 23 | 25059162 | Heater, 2.5 kW @ 265 Volt | 1 | 1 | 1 | 1 | |
| 23 | 25059163 | Heater, 3.4 kW @ 265 Volt | 1 | 1 | 1 | 1 | |
| 23 | 25059185 | Heater, 5.0 kW @ 265 Volt | 1 | 1 | 1 | 1 | |
| 24 | 25036400 | Support Brace (condenser) | 1 | 1 | 1 | 1 | |
| 25 | 60542006 | Condenser slinger blade | 1 | 1 | 1 | 1 | |
| 26 | 25036801 | Condenser Shroud | 1 | 1 | 1 | 1 | |
| 27 | 25015300 | Fresh Air Door Screen | 1 | 1 | 1 | 1 | |
| 27 | 25034900 | Fresh Air Door Insulation | 1 | 1 | 1 | 1 | |
| 28 | 25014400 | Motor Mount Bracket | 1 | 1 | 1 | 1 | |
| 29 | 25014600 | Motor, 230 Volt 1/15 HP 2P | 1 | 1 | - | - | |
| 29 | 25014610 | Motor, 230 Volt 1/10 HP 2P | - | - | 1 | 1 | |
| 29 | 25014601 | Motor, 265 Volt 1/15 HP 2P | 1 | 1 | - | - | |
| 29 | 25014611 | Motor, 265 Volt 1/10 HP 2P | - | - | 1 | 1 | |
| 30 | 25069100 | Blower Wheel 7-9 | 1 | 1 | - | - | |
| 30 | 25069000 | Blower Wheel 12-15 | - | - | 1 | 1 | |
| N/S | 25014306 | Scroll 7-9 | 1 | 1 | - | - | |
| N/S | 25014306 | Scroll 12-15 | - | - | 1 | 1 | |
| N/S | 60217902 | Seal, Motor to Wall | 1 | 1 | 1 | 1 | |
| N/S | 25015900 | Fresh Air Door Latch | 1 | 1 | 1 | 1 | |
| N/S | 25045100 | Fresh Air Door Cable | 1 | 1 | 1 | 1 | |
| N/S | 25059620 | Primary Limit Switch 145°F 2.5-3.4 kW | 1 | 1 | 1 | 1 | |
| N/S | 25059621 | Primary Limit Switch 155°F 5 kW | - | - | 1 | 1 | |
| N/S | 25059618 | Secondary Limit Switch 200°F | 1 | 1 | 1 | 1 | |
| N/S | 61828200 | Suction Dryer | 1 | 1 | 1 | 1 | |
| N/S | 60308101 | Liquid line Dryer (not for heat pump) | 1 | 1 | 1 | 1 | Cooling Only |
| N/S | 25065700 | Jumper, Heater | 1 | 1 | 1 | 1 | |

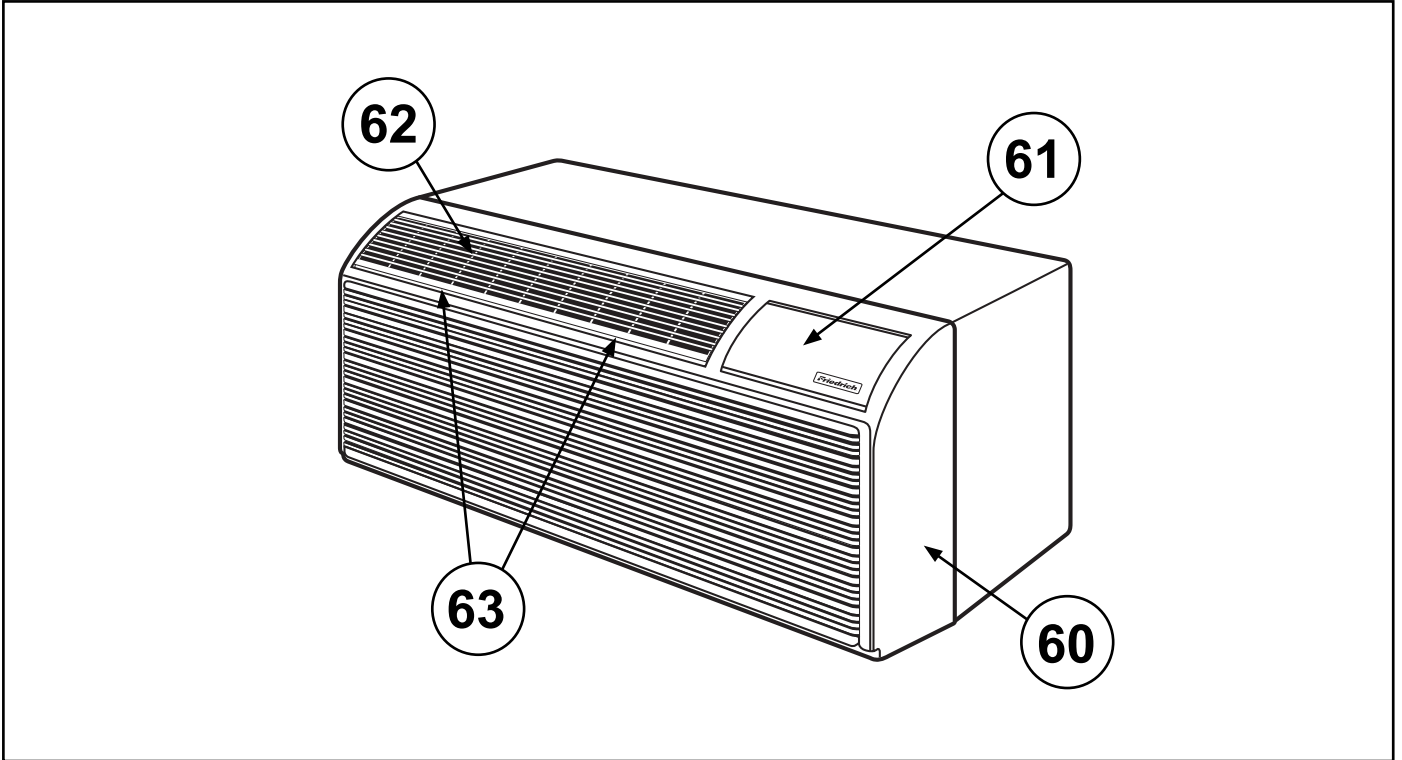
CONTROL BOX ASSEMBLY



| REF. | PART NO. | DESCRIPTION | 07 | 09 | 12 | 15 | NOTES |
|------|----------|----------------------------------|----|----|----|----|-----------|
| 49 | 60500190 | LCDI, 15A (2.5kW @ 230 Volt) | 1 | 1 | 1 | 1 | |
| 49 | 60500191 | LCDI, 20A (3.4kW @ 230 Volt) | 1 | 1 | 1 | 1 | |
| 49 | 60500192 | LCDI, 30A (5.0kW @ 230 Volt) | 1 | 1 | 1 | 1 | |
| 58 | 20061450 | Strain Relief 15/20A | 1 | 1 | 1 | 1 | |
| 58 | 20086915 | Strain Relief 30A | 1 | 1 | 1 | 1 | |
| 50 | 25070050 | Electronic Control Kit | 1 | 1 | 1 | 1 | See Note* |
| 51 | 61921152 | Dual Thermistor | 1 | 1 | 1 | 1 | |
| 52 | 61921153 | Single Thermistor | 1 | 1 | 1 | 1 | Heat Pump |
| 53 | 25067900 | Thermistor Holder | 2 | 2 | 2 | 2 | |
| 54 | 25070102 | Heat Cool Escutcheon | 1 | 1 | 1 | 1 | |
| 55 | 25070103 | Cool Only Escutcheon | 1 | 1 | 1 | 1 | |
| 56 | 25070104 | Remote Thermostat Escutcheon | 1 | 1 | 1 | 1 | |
| N/S | 61080541 | Capacitor, 20/5 @ 370 (230 Volt) | 1 | - | - | - | |
| N/S | 61080573 | Capacitor, 15/5 @ 440 (265 Volt) | 1 | - | - | - | |
| N/S | 61080539 | Capacitor, 25/5 @ 370 (230 Volt) | - | 1 | - | - | |
| N/S | 61080571 | Capacitor, 20/5 @ 440 (265 Volt) | - | 1 | - | - | |
| N/S | 61080565 | Capacitor, 30/5 @ 370 (230 Volt) | - | - | 1 | - | |
| N/S | 61080571 | Capacitor, 20/5 @ 440 (265 Volt) | - | - | 1 | - | |
| N/S | 61080565 | Capacitor, 30/5 @ 370 (230 Volt) | - | - | - | 1 | |
| N/S | 61080571 | Capacitor, 20/5 @ 440 (265 Volt) | - | - | - | 1 | |

*Note: **Electronic Control Kit includes:** Electronic Control Board, Dual Thermister, Single Thermister, Thermister Holder (2), Escutcheons (Heat/Cool, Cool Only, Remote Thermostat) and Installation Instructions

FRONT COVER



| REF. | PART NO. | DESCRIPTION | 07 | 09 | 12 | 15 | NOTES |
|------|----------|--|----|----|----|----|-------|
| 60 | 25037904 | Front Cover Complete (Includes Door and Filters) | 1 | 1 | 1 | 1 | |
| 61 | 25031903 | Control Door | 1 | 1 | 1 | 1 | |
| 62 | 25025903 | Grille, Discharge | 1 | 1 | 1 | 1 | |
| 63 | 25037804 | Filter | 2 | 2 | 2 | 2 | |
| N/S | 25060600 | Thumb Screw | 2 | 2 | 2 | 2 | |
| N/S | 25060500 | Speed Nut (U-Type) | 2 | 2 | 2 | 2 | |

Use Factory Certified Parts.

Friedrich

FRIEDRICH AIR CONDITIONING CO.

Post Office Box 1540 · San Antonio, Texas 78295-1540

4200 N. Pan Am Expressway · San Antonio, Texas 78218-5212

(210) 357-4400 · FAX (210) 357-4480

www.friedrich.com

Printed in the U.S.A.

PTACPRTS PD B-A (1-05)