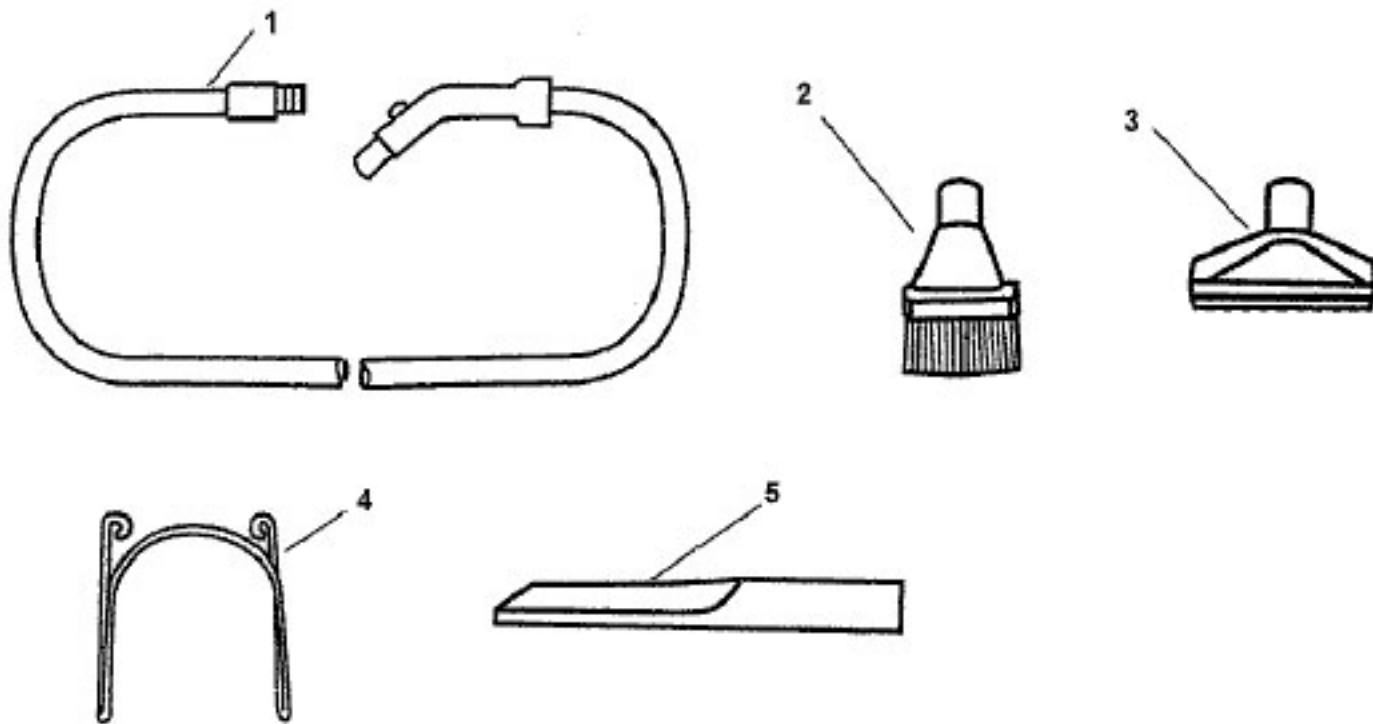


CENTRAL VACUUM SYSTEM

ASSEMBLY SCHEMATIC

S5676





CENTRAL VACUUM SYSTEM

PART LISTING

ITEM	PART NUMBER	MODELS TO FIT	PART DESCRIPTION
1	59132017	S5676	HOSE ASSEMBLY - 30'
2	43414145	S5676	DUSTING BRUSH
3	38614029	S5676	FURNITURE NOZZLE
4	33188001	S5676	WIRE FRAME - HOSE STORAGE
5	38617024	S5676	CREVICE TOOL

S5676