

Ref. No.	Part No.	Description
1	37232014	Motor Cover
	37232016	Motor Cover - S6530, S6530-600
2	27482145	Strain Relief
3	46543008	Attachment Cord - 6 Ft.
4	27479307	Lead Wire Tie
5	12227	Insulated Terminal
6	21447240	Screw - Self Tapping
7	43573015	Motor Assem. Comp. - S6543
	43573023	Motor Assem. Comp. - S6529, S6530
	43573021	Motor Assem. Comp. - S6530-600
8	36153051	Latch (2)
9	37232020	Lid - Std. (Incl. Item 8)
10	25661015	Ball Float
11	21447072	Screw - Self Tapping (6)
12	36426026	Filter Support
13	40203001	Foam Filter Sleeve
14	28177028	Switch
15	21364107	Speed Nut (2)
16	N/A	Motor Cover Label
17	38421004	Switch Button
18	4010074X	Filter Bag - 5 Pk.
19	36428023	Bag Retainer
20	38777011	Cleaner Tank - 6 Gal. (Incl. It. 21) - S6529, S6543
	38777042	Cleaner Tank - 6 Gal. (Incl. It. 21) - S6530
	38777050	Cleaner Tank - 6 Gal. (Incl. It. 21) - S6530-600
21	N/A	Tank Label
22	23737112	Caster Wheel (4)
23	34127004	Switch Insulator
	43611009	Cartridge Filter (Optional)

**PACKAGING MATERIAL**

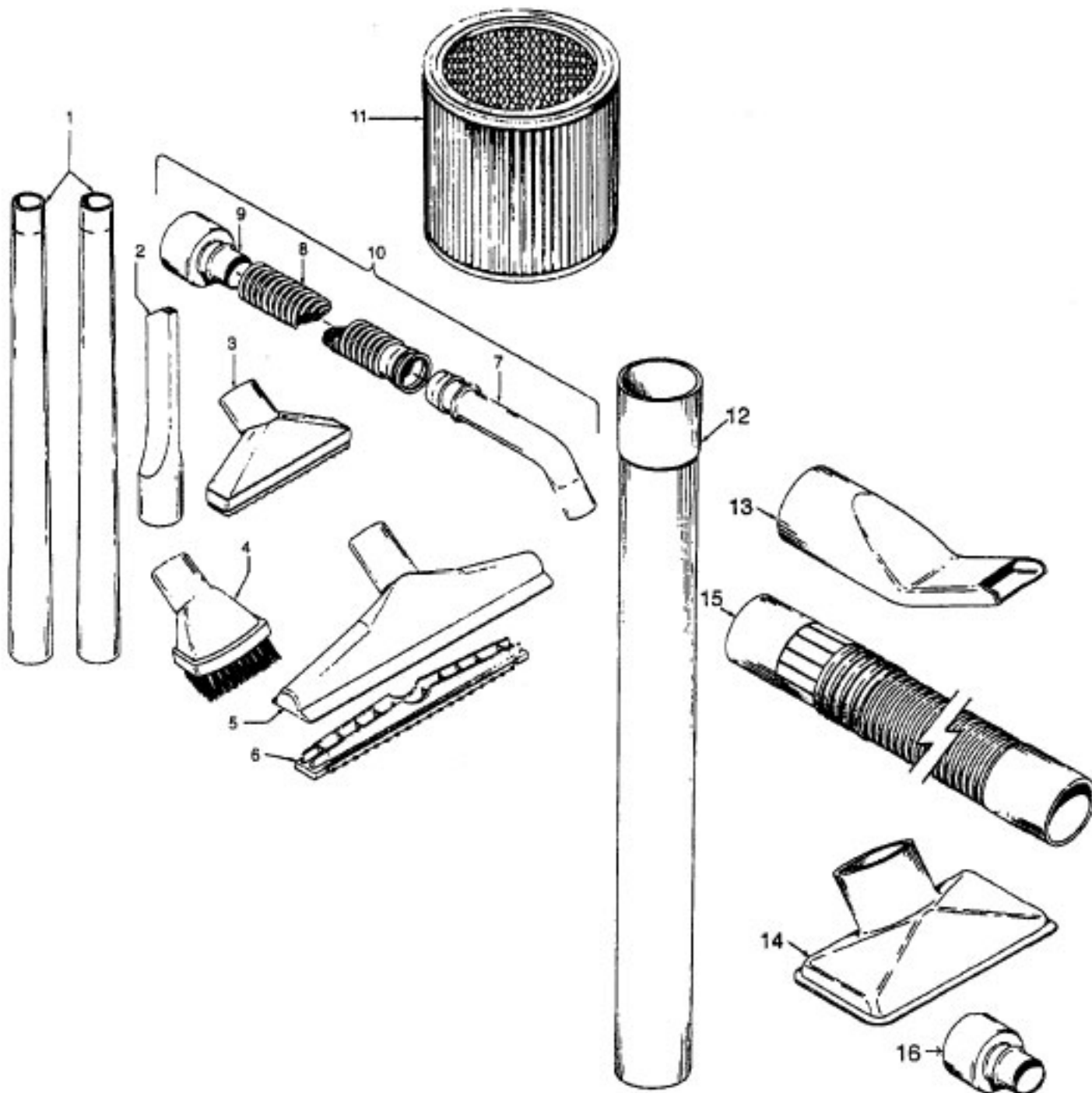
56514018	Owners Manual - S6530, S6530-600
56514002	Owners Manual
58158008	Carton - S6543
58158009	Carton - S6529
58158021	Carton - S6530
58158025	Carton - S6530-600

**CLEANING TOOLS - (P - 285)**

38634078	Extension Tube
38615008	Nozzle - 10"
39512006	Squeegee (For 10" Nozzle) - S6543
43434034	Hose Assem.

**ITEMS NOT ILLUSTRATED**

27618508	Wire Connector
34123045	Seal -Lid



Ref. No.	Part No	Description
1	38634078	Extension Tube (2)
2	38617024	Crevice Tool - AG
	38617008	Crevice Tool - AG - 2-1/2"
3	38614029	Furniture Nozzle - AG
4	43414145	Dusting Brush
5	38615008	Nozzle - 10"
	38615009	Nozzle - 14"
6	39512006	Squeegee (For 10" Nozzle)
7	39454059	Hand Grip
8	N/A	Hose

Ref. No.	Part No	Description
9	38638061	Hose Connector
10	43434034	Hose Assem. Comp.
11	43611009	Cartridge Filter (Optional)
12	38638032	Extension Tube - 2-1/2"
13	38619016	Blower Nozzle - 2-1/2"
14	38614027	Utility Nozzle - 2-1/2"
15	43434004	Hose Assem. - 2-1/2"
16	32283002	Adapter- For using 1 1/4" tools on 2" hose

Note: Accessories are all 1-1/4" Dia. unless otherwise specified.