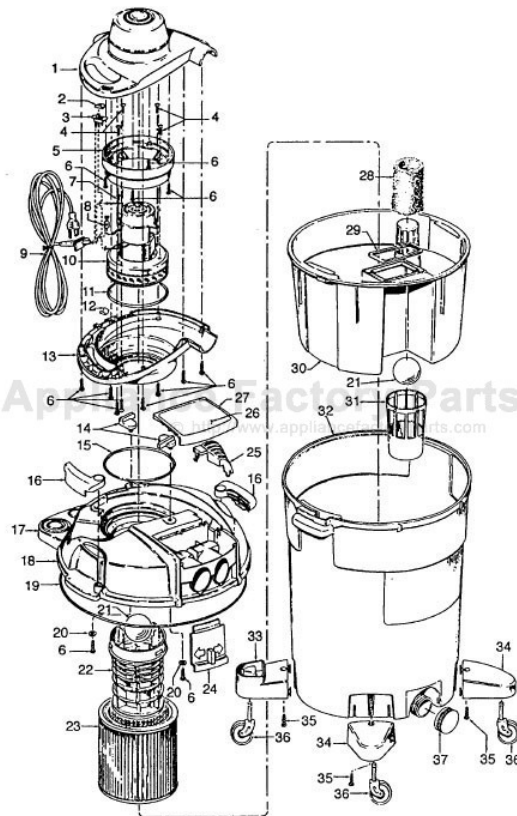


This Owner's Manual is provided and hosted by [Appliance Factory Parts](http://Appliance Factory Parts).



# HOOVER S6755 Owner's Manual

[Shop genuine replacement parts for HOOVER S6755](#)



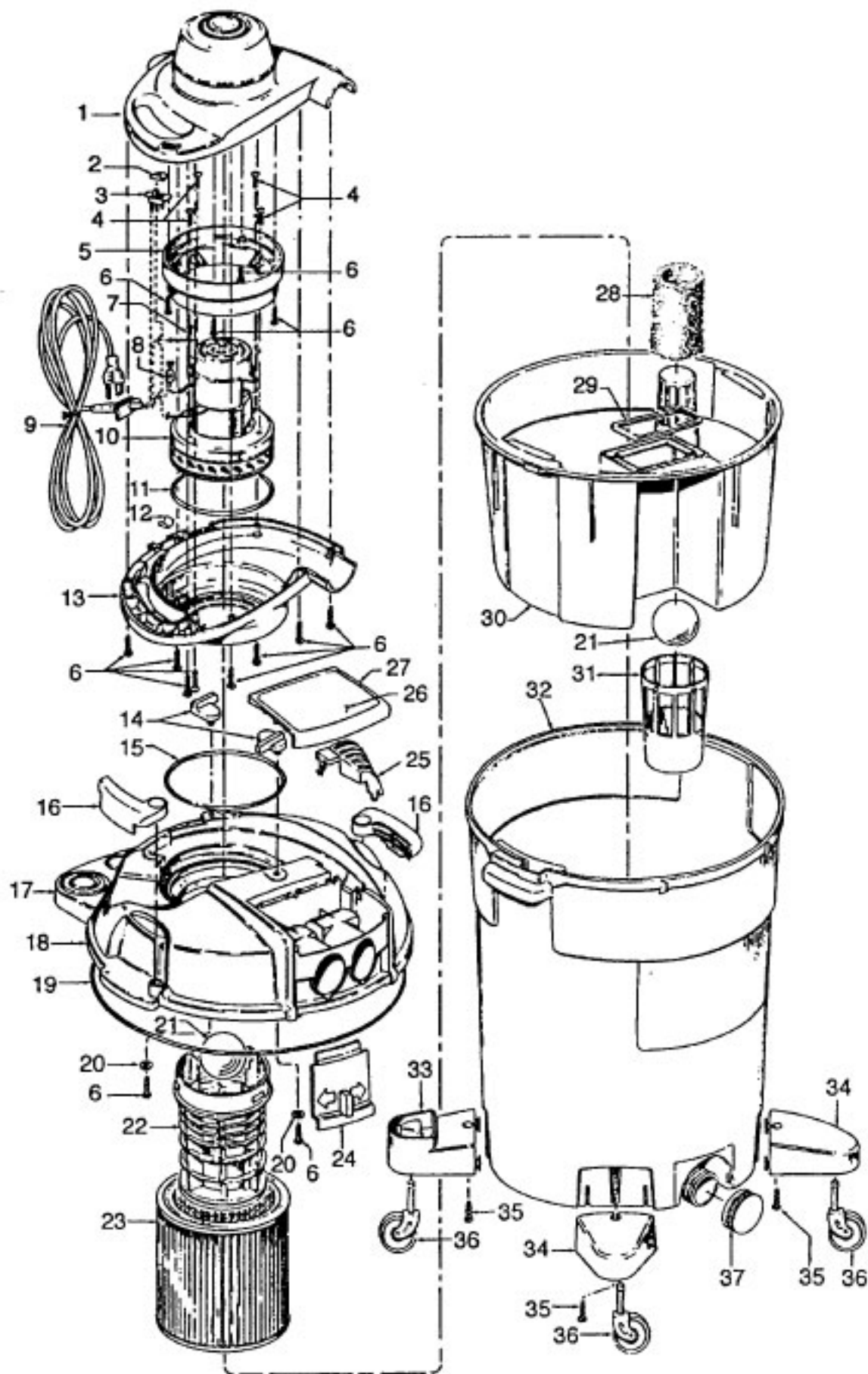
[Find Your HOOVER Vacuum Cleaner Parts - Select From 1456 Models](#)

----- Manual continues below part list -----

## Available Replacement Parts for HOOVER S6755

[H-38762010](#)

FILTER, EXTRACTOR FOAM



## Wet/Dry Vacuum

## Models S6751, S6755, S6757, S6760, S6760-600

| Ref. No. | Part No. | Description   |
|----------|----------|---|
| 1        | 37471001 | Blower Housing - Upper - AG                                   |
|          | 37471004 | Blower Housing - Upper - ABZ                                  |
| 2        | 38421043 | Switch Button - ABN   |
|          | 38421044 | Switch Button - S6757   |
|          | 38421020 | Switch Button - S6760, S6760-600                              |
| 3        | 28177030 | Switch  |
| 4        | 21455325 | Screw - Self Tapping (4)                                      |
| 5        | 36322009 | Motor Mounting Ring - AG                                      |
| 6        | 21447072 | Screw - Self Tapping (14)                                     |
| 7        | 21447240 | Screw - Self Tapping  |
| 8        | 12227    | Insulated Terminal  |
| 9        | 46543008 | Attachment Cord Assm. - 12 Ft. S6755, S6757, S6760, S6760-600 |
|          | 46543007 | Attachment Cord Assm. - 12 Ft. S6751                          |
| 10       | 27222005 | Motor - 6.0 PHP - S6755, S6757, S6760, S6760-600              |
|          | 27222004 | Motor - 3 PHP - S6751   |
| 11       | 38781033 | Seal  |
| 12       | 36913021 | Insulator   |
| 13       | 37471002 | Blower Housing - Lower - AG (Incl. Item 11)                   |
|          | 37471003 | Blower Housing - Lower - ABZ (Incl. It. 11)                   |
| 14       | 36152021 | Latch - ABN (2)   |
|          | 36152022 | Latch - ABZ (2)   |
| 15       | 38781034 | Seal - Inner  |
| 16       | 36153051 | Tank Latch (2)  |
|          | 36153057 | Tank Latch (2) - S6757, S6760                                 |
| 17       | 36433091 | Tool Rack -AG   |
| 18       | 42232026 | Lid Assm. (Incl. It. 14, 19, 20, 24, 25, 26, 27)              |
|          | 42232028 | Lid Assm. (Incl. It. 14, 19, 20, 24, 25, 26, 27) (S6757)      |
|          | 42232033 | Lid Assm. (Incl. It. 14, 19, 20, 24, 25, 26, 27) (S6760)      |
| 19       | 38781035 | Seal (O-Ring)   |
|          | 34123046 | Seal - Flat   |
| 20       | 21312797 | Flat Washer (2)   |
| 21       | 25661015 | Ball Float (2)  |
| 22       | 36426026 | Filter Support  |
| 23       | 43611009 | Cartridge Filter  |
| 24       | 37238005 | Valve Door  |
|          | 37238006 | Valve Door - S6757, S6760, S6760-600                          |
| 25       | N/A      | Diffuser - AG   |
| 26       | 51689037 | Valve Cover Label   |
|          | 51689073 | Valve Cover Label - S6757                                     |
|          | 51639158 | Valve Cover Label - S6760, S6760-600                          |
| 27       | N/A      | Valve Cover   |

| Ref. No. | Part No. | Description                     |
|----------|----------|---------------------------------|
| 28       | 43611040 | Inner Tank Filter               |
| 29       | 38783002 | Inner Tank Gasket               |
| 30       | 43641022 | Inner Tank (incl. Items 28,29)  |
| 31       | 38719026 | Float Retainer                  |
| 32       | 38777013 | Tank - MW - 16 Gal. - S6755     |
|          | 38777014 | Tank - MW - 12.5 Gal. - S6751   |
|          | 38777023 | Tank - 16 Gal. - S6757          |
|          | 38777047 | Tank - 16 Gal. - S6760          |
|          | 38777055 | Tank - 16 Gal. - S6760-600      |
| 33       | 36432046 | Caster Support - Deluxe (2)     |
| 34       | 36432042 | Caster Support - Standard (2)   |
| 35       | 21447215 | Screw - Self Tapping (4)        |
| 36       | 23737112 | Caster Wheel (4)                |
| 37       | 37911008 | Drain Cap & Seal                |
|          | 37911010 | Drain Cap & Seal - S6757, S6760 |

### PACKAGING MATERIAL

|          |                                |
|----------|--------------------------------|
| 56514013 | Owners Manual                  |
| 56514020 | Owners Manual - S6760          |
| 58366095 | Top Support                    |
| 58178022 | Carton - S6751                 |
| 58168039 | Carton - S6755                 |
| 58168032 | Carton - S6757                 |
| 58168046 | Carton - S6760                 |
| 58168050 | Carton - S6760-600             |
| 58286010 | Ext. Tube Support              |
| 58286014 | Extension Tube Support - S6760 |

### Cleaning Tools - (P - 285)

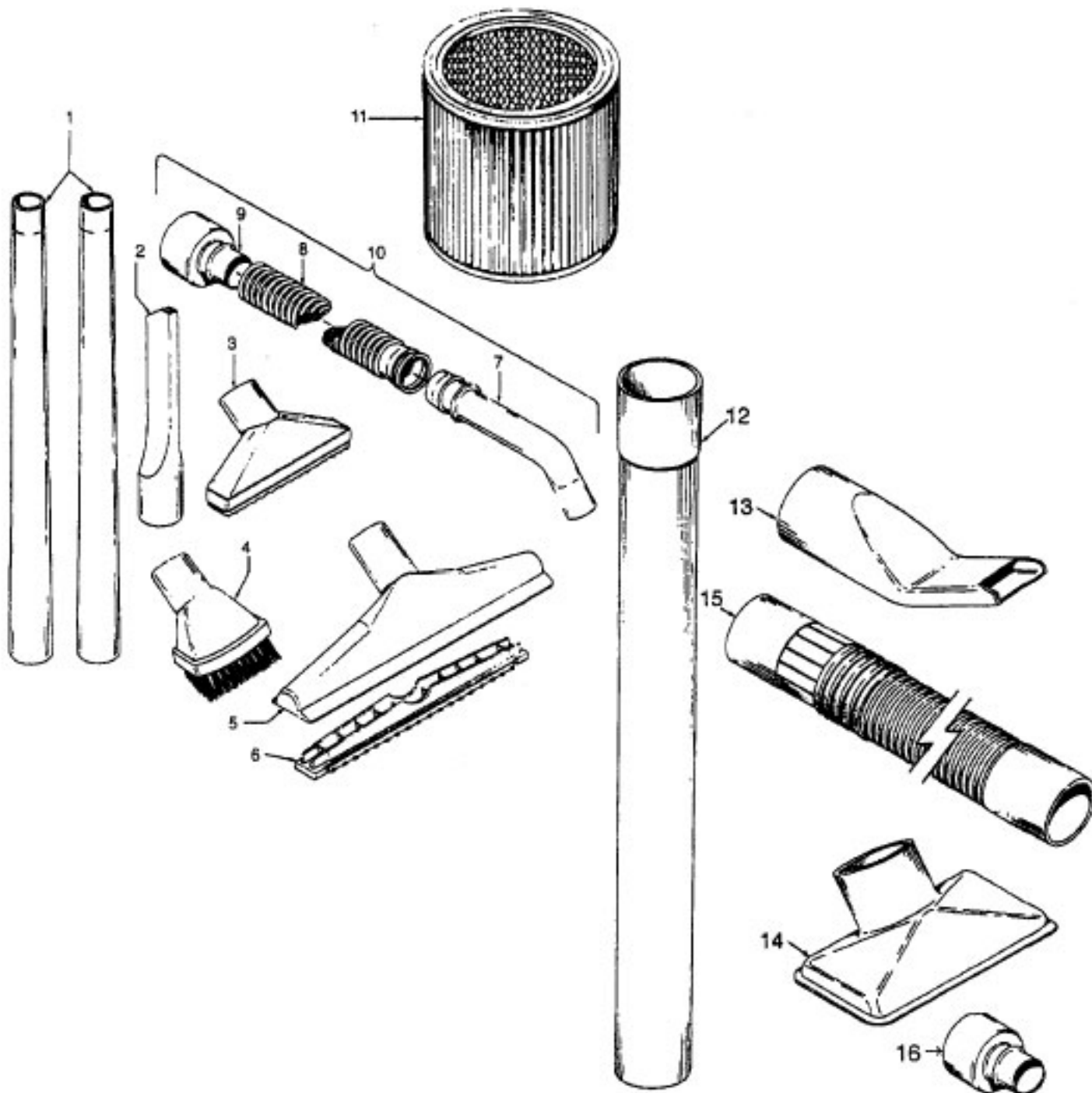
|          |                                |
|----------|--------------------------------|
| 38615008 | Nozzle - 10" (For 1-1/4" Hose) |
| 38615009 | Nozzle - 14" - S6757           |
| 39512006 | Squeegee (For 10" Nozzle)      |
| 38634078 | Extension Tube - 1-1/4"        |
| 38638032 | Ext. Tube - 2-1/2" (2)         |
| 38617024 | Crevice Tool - AG              |
| 38614029 | Furniture Nozzle - AG          |
| 38614027 | Utility Nozzle - 2-1/2"        |
| 38619016 | Blower Nozzle - 2-1/2"         |
| 43434004 | Hose Assm. - 2-1/2"            |
| 43434034 | Hose Assm. Comp.               |
| 32283002 | Adapter - S6757                |
| 43414145 | Dusting Brush Assm. - S6757    |

### ITEMS NOT ILLUSTRATED

|          |                |
|----------|----------------|
| 27618508 | Wire Connector |
|----------|----------------|

# Wet/Dry Vacuum

# Cleaning Tools



| Ref. No. | Part No  | Description                |
|----------|----------|----------------------------|
| 1        | 38634078 | Extension Tube (2)         |
| 2        | 38617024 | Crevice Tool - AG          |
|          | 38617008 | Crevice Tool - AG - 2-1/2" |
| 3        | 38614029 | Furniture Nozzle - AG      |
| 4        | 43414145 | Dusting Brush              |
| 5        | 38615008 | Nozzle - 10"               |
|          | 38615009 | Nozzle - 14"               |
| 6        | 39512006 | Squeegee (For 10" Nozzle ) |
| 7        | 39454059 | Hand Grip                  |
| 8        | N/A      | Hose                       |

| Ref. No. | Part No  | Description                                |
|----------|----------|--|
| 9        | 38638061 | Hose Connector                             |
| 10       | 43434034 | Hose Assem. Comp.                          |
| 11       | 43611009 | Cartridge Filter (Optional)                |
| 12       | 38638032 | Extension Tube - 2-1/2"                    |
| 13       | 38619016 | Blower Nozzle - 2-1/2"                     |
| 14       | 38614027 | Utility Nozzle - 2-1/2"                    |
| 15       | 43434004 | Hose Assem. - 2-1/2"                       |
| 16       | 32283002 | Adapter- For using 1 1/4" tools on 2" hose |

Note: Accessories are all 1-1/4" Dia. unless otherwise specified.