

This Owner's Manual is provided and hosted by [Appliance Factory Parts](#).



Coleman G35301 Owner's Manual

[Shop genuine replacement parts for Coleman G35301](#)



[Find Your Coleman Grill Parts - Select From 255 Models](#)

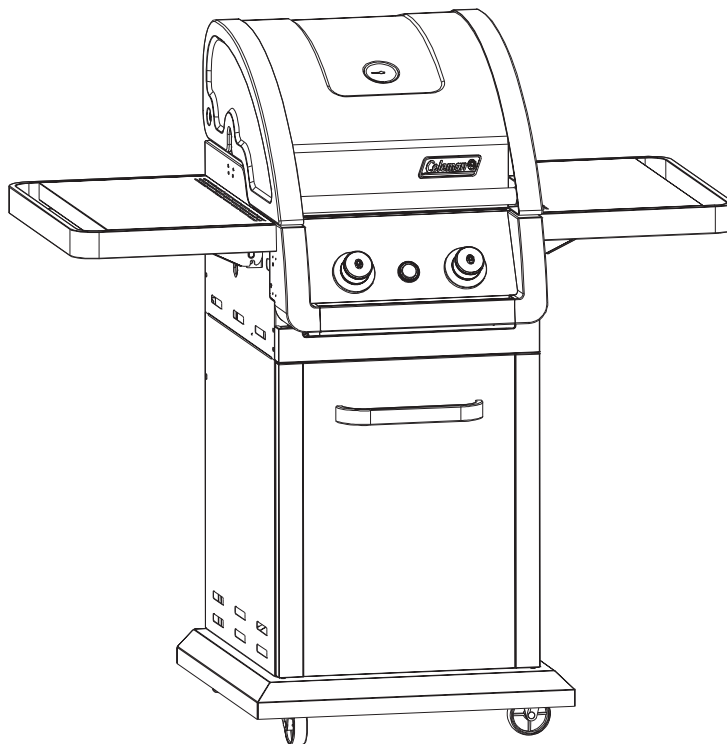
----- Manual continues below -----



DURABILITY • POWER • PERFORMANCE

EVEN HEAT™ BARBECUE

WITH 2 BURNERS



ASSEMBLY MANUAL

85-3046-2 (G35301) Propane
85-3047-0 (G35302) Natural Gas

LIMITED 5-YEAR WARRANTY

Read and save manual for future reference.

Assemble your grill immediately. Missing or damaged parts should be claimed within 30 days of purchase.

For product inquiries, parts, warranty and troubleshooting support, please call 1-800-275-4617.



HEAVY ARTICLE NEEDS 2 TO LIFT

THIS MANUAL MUST REMAIN WITH THE PRODUCT AT ALL TIMES

To ORDER non-warranty replacement parts or accessories,
or to register your warranty, please visit us on the web at
www.colemanbbqs.com

⚠ CAUTION

Sharp edges. Wear gloves when assembling your grill.

⚠ CAUTION

Read and follow all safety statements, assembly instructions, and use and care directions before attempting to assemble and cook.

⚠ INSTALLER OR ASSEMBLER/ CONSUMER

This manual should be kept with the BBQ at all times.

⚠ WARNING

Failure to follow all of the Manufacturer's instructions could result in hazardous fires, explosions, property damage, or serious personal injury or even death.

Follow all leak check procedures carefully prior to operation of barbecue, even if grill was dealer assembled. Do not try to light this barbecue without reading the Lighting Instructions section of this manual.

⚠ DANGER

1. If you smell Gas:
 - a. Shut off gas to the appliance
 - b. Extinguish any open flame
 - c. Open lid
 - d. If odor continues, keep away from the appliance and immediately call your gas supplier or your fire department
 2. Requires two people to complete the assembly process.
 3. Beware of sharp edges.
-

⚠ WARNING

1. Do not store or use gasoline or other flammable liquids or vapours in the vicinity of this or any other appliance.
 2. An LP cylinder not connected for use shall not be stored in the vicinity of this or any other appliance.
-

THIS BARBECUE IS FOR OUTDOOR USE ONLY
CONTACT CALL CENTRE IF ANY PARTS ARE MISSING
1-800-275-4617

PARTS LIST (PROPANE) FOR 85-3046-2 (G35301)

Item No.	Qty.	Description	Part No.	Item No.	Qty.	Description	Part No.
AA	1	Top lid assembly	G353-2000-01	DA	2	Support bracket A, side shelf	G535-1800-01
AB	1	Thermometer	G522-0062-01	DB	2	Support bracket B, side shelf	G353-1900-01
AC	2	Screw for top lid	G433-0002-01	DC	2	Side shelf	G353-6000-01
AD	2	Lid bumper	G508-0063-01				
				EA	1	Left side panel	G353-0300-01
BA	1	Burner box assembly	G353-3100-01	EB	1	Right side panel	G353-0400-01
BB	2	Even Heat™ burners	G522-4900-01	EC	1	Door assembly	G353-7000-01
BC	1	Carryover assembly	G353-0005-01	ED	1	Door handle	G415-0001-02
BD	2	Even Heat™ heat distribution plate	G522-0072-01	EE	1	Bottom shelf-LP	G353-0500-01
BE	2	Coleman® signature cooking grate	G522-0023-01	EF	2	Locking castor	G350-0023-01
BF	1	Warming rack	G350-0009-01	EG	2	Castor	G350-0024-01
BG	1	Match holder	G608-0019-01	EH	1	Door magnet assembly	G501-00F2-02
BH	2	Brace, Heat Distribution Plate	G353-0020-01				
				F1	1	Hardware pack	G353-B001-01
CA	1	Manifold assembly-LP	G353-3300-01	F2	1	Assembly manual	G353-M001-01
CB	1	Regulator	G513-0017-01	F3	1	Safe use and care manual	G353-M001-02
CC1	1	Electronic ignition assembly	G350-0017-01	F4	1	Tank Screw	G505-0047-01
CC2	1	Ignition battery cover	G515-0030-01				
CC3	1	Instastart™ ignition button	G353-0009-01				
CD	2	Electrode set, main burner	G522-0020-03				
CE	2	Control knob	G522-2700-01				
CF	1	Control panel	G353-0006-01				
CG	1	Front brace	G353-0010-01				
CH	1	Quick Clean™ grease tray	G353-0700-01				
CI	1	Quick Clean™ grease cup	G416-0015-01				
CJ	1	Upper back panel	G353-0011-01				
CK	1	Heat shield	G353-0021-01				
CL	1	Right track	G522-0043-01				
CM	1	Left track	G522-0027-01				
CN	1	Door support rail	G353-5000-01				

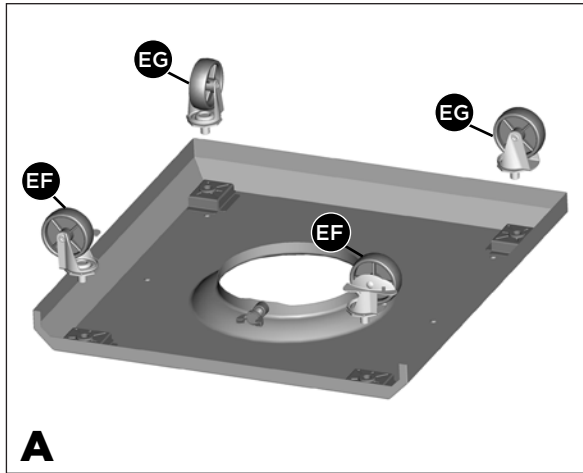
PARTS LIST (NATURAL GAS) FOR 85-3047-0 (G35302)

Item No.	Qty.	Description	Part No.
AA	1	Top lid assembly	G353-2000-01
AB	1	Thermometer	G522-0062-01
AC	2	Screw for top lid	G433-0002-01
AD	2	Lid bumper	G508-0063-01
BA	1	Burner box assembly	G353-3100-01
BB	2	Even Heat™ burners	G522-4900-01
BC	1	Carryover assembly	G353-0005-01
BD	2	Even Heat™ heat distribution plate	G522-0072-01
BE	2	Coleman® signature cooking grate	G522-0023-01
BF	1	Warming rack	G350-0009-01
BG	1	Match holder	G608-0019-01
BH	2	Brace, Heat Distribution Plate	G353-0020-01
CA	1	Manifold assembly-NG	G353-3600-01
CB	1	Natural Gas Hose	G501-0099-01
CC1	1	Electronic ignition assembly	G350-0017-01
CC2	1	Ignition battery cover	G515-0030-01
CC3	1	Instastart™ ignition button	G353-0009-01
CD	2	Electrode set, main burner	G522-0020-03
CE	2	Control knob	G522-2700-01
CF	1	Control panel	G353-0006-01
CG	1	Front brace	G353-0010-01
CH	1	Quick Clean™ grease tray	G353-0700-01
CI	1	Quick Clean™ grease cup	G416-0015-01
CJ	1	Upper back panel	G353-0011-01
CK	1	Heat shield	G353-0021-01
CL	1	Right track	G522-0043-01
CM	1	Left track	G522-0027-01
CN	1	Door support rail	G353-5000-01

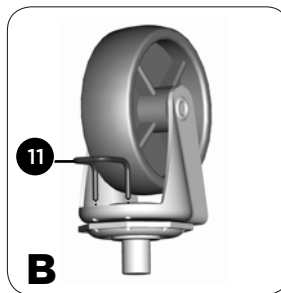
Item No.	Qty.	Description	Part No.
DA	2	Support Plate Assembly A, side shelf	G535-1800-01
DB	2	Support Plate Assembly B, side shelf	G353-1900-01
DC	2	Side shelf	G353-6000-01
EA	1	Left side panel	G353-0300-01
EB	1	Right side panel	G353-0400-01
EC	1	Door assembly	G353-7000-01
ED	1	Door handle	G415-0001-02
EE	1	Bottom shelf-NG	G353-0800-01
EF	2	Locking castor	G350-0023-01
EG	2	Castor	G350-0024-01
EH	1	Door magnet assembly	G501-00F2-02
F1	1	Hardware pack	G353-B001-01
F2	1	Assembly manual	G353-M001-01
F3	1	Safe use and care manual	G353-M001-02

ASSEMBLY INSTRUCTIONS

1



A
Upside down view



B
Close up

Separate the 2 different types of castors: 2 locking castors (EF) and 2 regular castors (EG).

Insert the U Pin (#11) into one of the regular castors (EG), as shown in image B. Attach the regular castor (EG) to the front of the bottom shelf (EE), and use the Pin (#11) to secure and tighten.

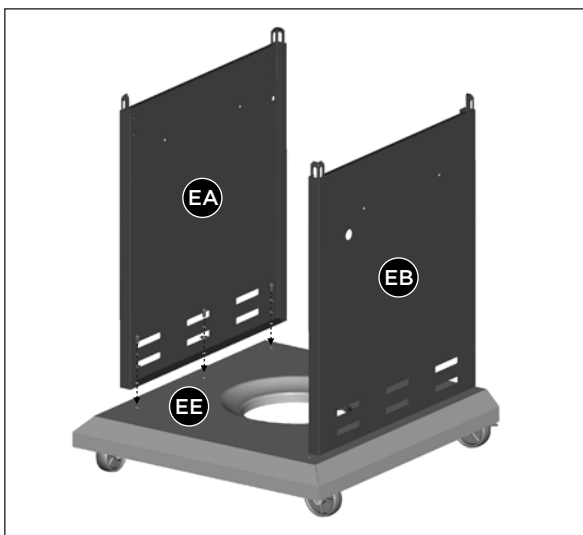
Repeat for remaining 3 castors (EF & EG).

NOTE: Regular castors (EG) need to be assembled to the front of the bottom shelf (EE), and locking castors (EF) need to be assembled to the back of the bottom shelf (EE), as shown in image A.

YOU WILL NEED:



2

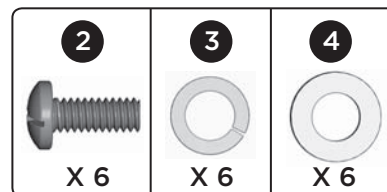


Front view

Ensure that the locking castors (EF) are firmly locked in the "ON" position before continuing.

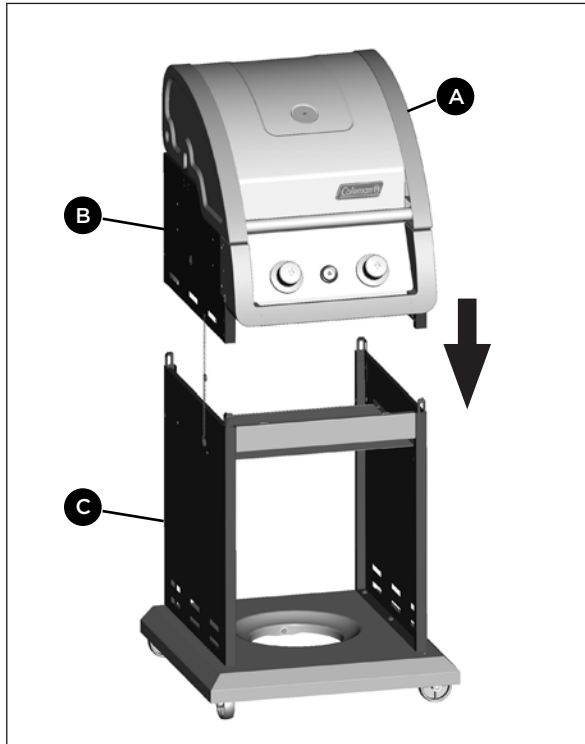
Assemble the left side panel (EA) and the right side panel (EB), to the bottom shelf (EE).

YOU WILL NEED:



ASSEMBLY INSTRUCTIONS

5

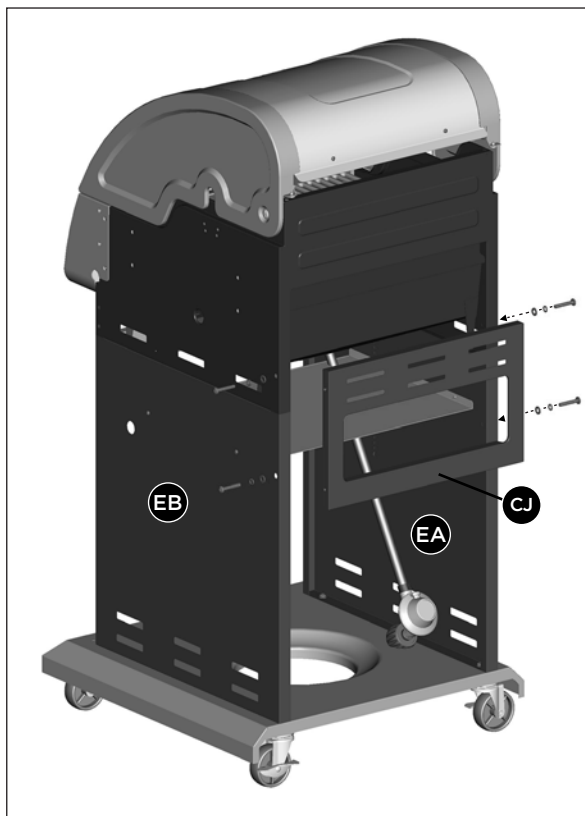


Front view

THIS STEP REQUIRES 3 PEOPLE. DO NOT ATTEMPT ALONE. EXTREMELY HEAVY!

- a. Position the top lid assembly and burner box assembly (A & B) onto the cart assembly (C), as shown.

6






Back view

Attach the upper back panel (CJ) to both the left and right side panels (EA & EB).

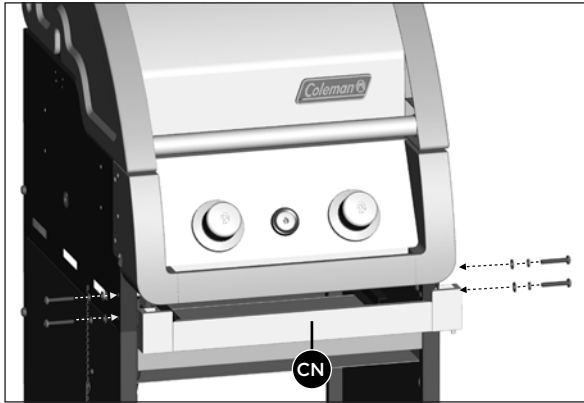
DO NOT tighten screws until all hardware has been positioned.

YOU WILL NEED:

1	3	4
		
X 4	X 4	X 4

ASSEMBLY INSTRUCTIONS

8






Front view

Assemble the door support rail (CN) to the left and right upper side panels (EA and EB), as shown.

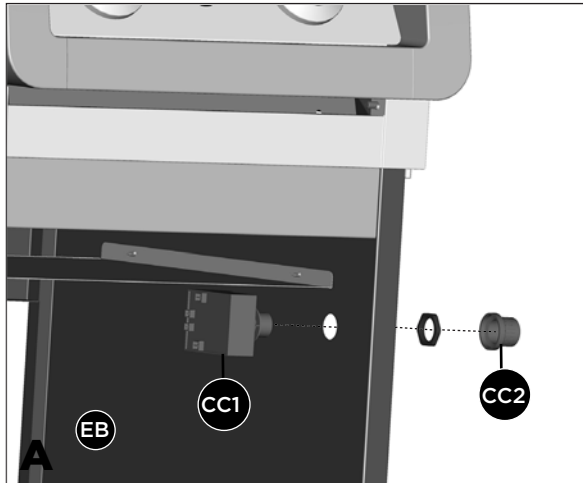
⚠ WARNING: This part may have sharp edges. Wear protective gloves when assembling.

YOU WILL NEED:

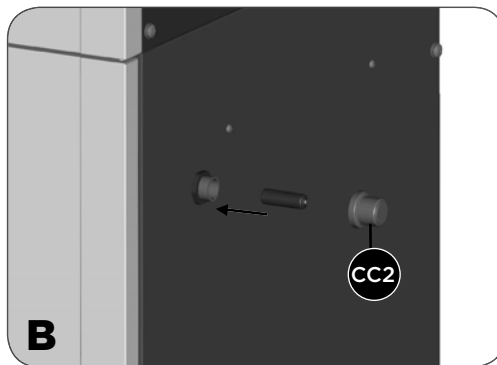
1	3	4
		
X 4	X 4	X 4

ASSEMBLY INSTRUCTIONS

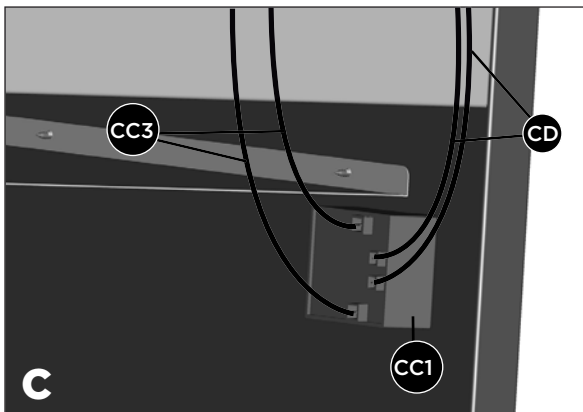
10



Right side panel, inside view



Right side panel, outside view



Right side panel, inside view

Electronic Ignition Assembly

a. Remove the ignition battery cover (CC2) and the plastic nut from the electronic ignition box (CC1)

b. Position the electronic ignition box (CC1) through the opening in the right side panel (EB) and secure using the nut.

c. Insert an “AA” battery into the battery compartment, as shown. Secure using the ignition button cover (CC2).

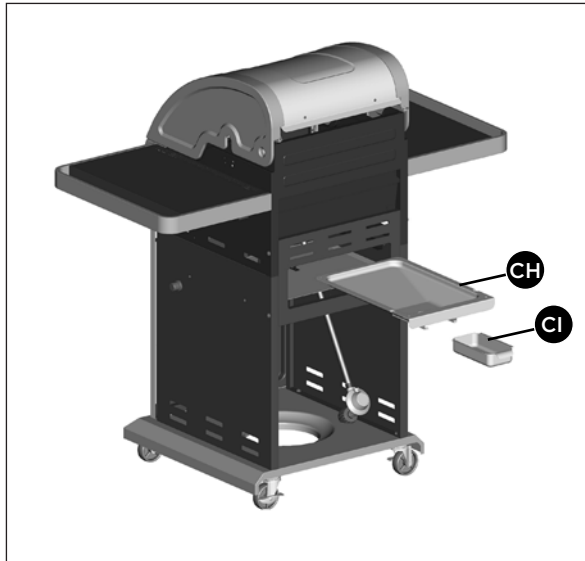
d. Insert the two Electrode set, main burner (CD) wires into the Electronic ignition assembly (CC1) as shown.

NOTE: All main burner electrode wire connection points are the same size.

e. Insert the Instastart™ ignition button (CC3) wires into the Electronic ignition assembly (CC1), as shown in figure C.

ASSEMBLY INSTRUCTIONS

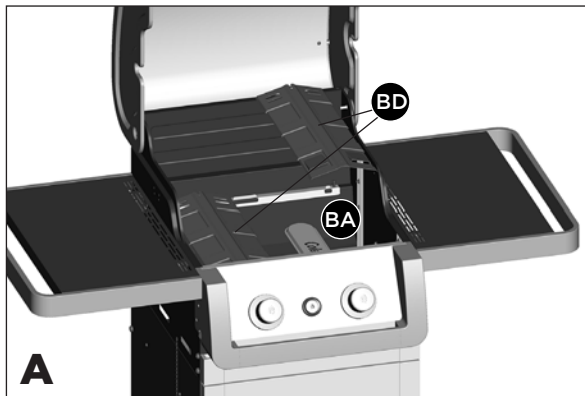
12



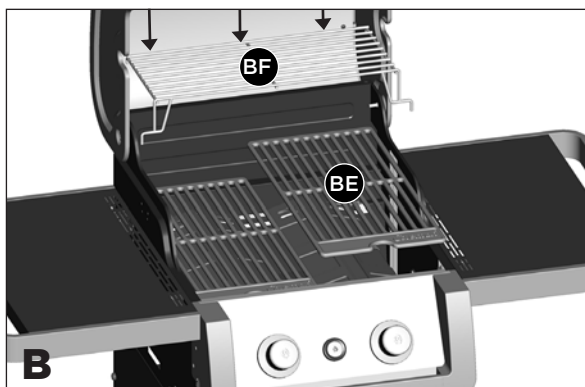
Back view

- Position the Quick Clean™ grease tray (CH) onto the right and left tracks (CL and CM), as shown.
- Position the QUICK CLEAN™ grease cup (CI) in position under the under the QUICK CLEAN™ grease tray (CH).

13



- Position the Even Heat™ heat distribution plates (BD) into the burner box (BA) as shown.



- Place the cooking grates (BE) into the burner box (BA), as shown in figure B.
- Assemble the warming rack (BF) by inserting the three fixed pins into the three holes provided on the burner box back panel (BA), as shown.

ADDITIONAL WARNINGS

You have now completed the Assembly of your COLEMAN® EVEN HEAT™ BARBECUE.

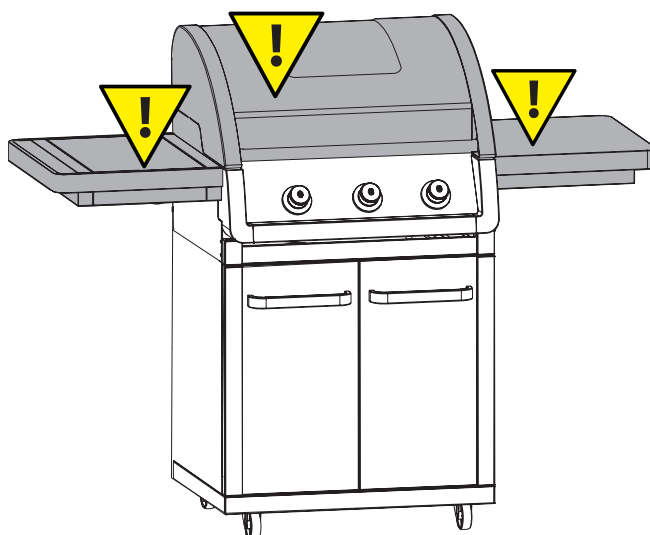
NEXT STEPS:

1. Position your BARBECUE
2. Read SAFE USE CARE MANUAL
3. Perform Grill Safety Check-list

▲ WARNING:

FOR YOUR FAMILIES SAFETY, DO NOT ATTEMPT TO LIGHT THIS BBQ UNTIL YOU HAVE REVIEWED PAGES 4-7 OF THE COLEMAN SAFE USE AND CARE MANUAL. ALL SAFETY AND LEAK TESTS MUST BE PERFORMED BY THE END USER, PRIOR TO LIGHTING THIS BBQ.

▲ WARNING HOT SURFACES:



POSITION YOUR BARBECUE

Always confirm that this Barbecue is not positioned under a combustible object (e.g., an awning or umbrella) or in a covered area (e.g., porch or gazebo) before lighting it, to prevent a possible fire.

Always confirm that this Barbecue is not positioned under the overhang of a house, a garage or other structure before lighting it. An overhang will serve to deflect fire-ups and radiate heat into the structure itself, which could result in a fire.

Always confirm that this Barbecue is positioned more than 36" (91.4cm) away from any combustible materials or surfaces before lighting it, and that no gasoline or other volatile substances are stored in the vicinity of this Barbecue. The temperature of a grease fire or of the radiated heat might otherwise be sufficient to ignite nearby combustibles or volatile substances. Do not position near windows, siding, or fencing.

Always locate the Barbecue where there will be ample combustion and ventilation air, but never position it in the direct path of a strong wind.