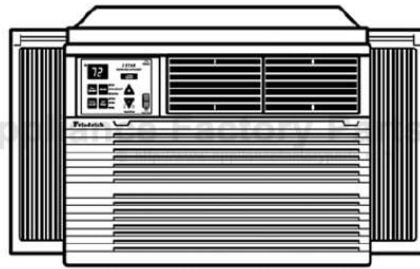


This Owner's Manual is provided and hosted by [Appliance Factory Parts](#).



FRIEDRICH KS12J10A-A Owner's Manual

[Shop genuine replacement parts for FRIEDRICH
KS12J10A-A](#)



[Find Your FRIEDRICH Air Conditioner Parts - Select From 1575 Models](#)

----- Manual continues below -----

2002 Room Air Conditioning Parts Manual



Friedrich[®]

TABLE OF CONTENTS

| | PAGE |
|--|-------------|
| PORTABLE "Q" SERIES UNITS | 3-15 |
| SMALL CHASSIS "S" SERIES UNITS (115 & 230 VOLT) | 16-25 |
| MEDIUM CHASSIS "M" SERIES UNITS (115 & 230 VOLT) | 26-31 |
| LARGE CHASSIS "L" SERIES UNITS | 32-37 |
| WALL MASTER "WM" SERIES UNITS (115 & 230 VOLT) | 38-43 |

**"Q" Series
Portable Chassis
Room Air Conditioner Section**

**"Q" SERIES CABINET PARTS
(KQ, SQ, YQ)**

NOTE: Items 2, 9A, 13 and 14 are used on "YQ" units only.



NOTE: Item 3 is used on "XQ" units only.

"Q" SERIES CABINET PARTS (KQ, SQ, YQ)

NOTE: Items 51, 56 and 57 are not included with the "YQ" unit.



"Q" SERIES CHASSIS PARTS (ZQ05A10A & ZQ07A10A)

**NOTE: Box A for ZQ05A10A
& ZQ07A10A**



"Q" SERIES CHASSIS PARTS (ZQ05A10A & ZQ07A10A)

**NOTE: Box A for ZQ05A10A
& ZQ07A10A**



**"Q" SERIES CHASSIS PARTS
(ZQ08A10B & ZQ10A10A)**

**NOTE: Box C is for ZQ08A10B
AND ZQ10A10A**



**NOTE: Box B is for all
ZQ Models**

**"Q" SERIES CABINET PARTS
(ZQ05A10A & ZQ07A10A)**



"Q" SERIES CABINET PARTS (ZQ08A10B & ZQ10A10A)



"S" Series
115V / 230 V
Small Chassis
Room Air Conditioner Section

SMALL CHASSIS "S" SERIES CHASSIS PARTS (EK, ES, KS, RS, SS & YS)



SMALL CHASSIS "S" SERIES CHASSIS PARTS (EK, ES, KS, RS, SS & YS)



SMALL CHASSIS "S" SERIES PARTS LIST

| REF | DESCRIPTION | PART NO# | KS 115 | | | | | RS 115 | | | SS 115 | | | | | | YS 115 | | CODE |
|-----|---------------------|----------|-----------|-----------|-----------|------------|------------|------------|----------|----------|------------|------------|------------|-------------|------------|-------------|-------------|------------|------|
| | | | KS10E10-A | KS12E10-A | KS10J10-B | KS12J10A-A | KS12J10B-A | RS12J10A-B | RS10J10B | RS10J10C | SS08J10R-A | SS09J10B-A | SS09J10C-A | SS10J10AR-A | SS10J10R-A | SS12J10AR-A | SS12J10AR-B | YS09J10A-A | |
| 1 | THERMOSTAT | 61822500 | 1 | 1 | 1 | 1 | 1 | 1 | 1 | 1 | | | | | | | | | 120 |
| 1 | THERMOSTAT | 61822400 | | | | | | | | | | | | | | | 1 | 1 | 122 |
| * | THERMOSTAT, DEFROST | 61350313 | | | | | | | | | | | | | | | 1 | 1 | 122 |
| 2 | ELECTRONIC CTRL. | 61921103 | | | | | | | | | 1 | 1 | 1 | 1 | 1 | 1 | | | 331 |
| * | REMOTE CONTROL | 61826602 | | | | | | | | | 1 | 1 | 1 | 1 | 1 | 1 | | | 350 |
| 3 | RESISTOR BLOCK | 61808000 | | | 1 | 1 | 1 | 1 | | 1 | | | | | | | 1 | 1 | 200 |
| * | OVERLOAD | 60364598 | | | 1 | | | | | | | | | | | | | | 190 |
| * | OVERLOAD | 61764519 | 1 | 1 | 1 | | | | 1 | 1 | | | | | | 1 | | | 190 |
| * | OVERLOAD | 61764504 | | | | 1 | 1 | 1 | | | | | | | 1 | | | | 190 |
| * | OVERLOAD | 60364594 | | | | | | | | | | | 1 | 1 | | | 1 | 1 | 190 |
| * | OVERLOAD | 61764536 | | | | | | | | | | | 1 | | | | | | 190 |
| * | OVERLOAD | 61764507 | | | | | | | | | 1 | | | | | | | | 190 |
| * | OVERLOAD | 61764510 | | | | | | | | | | 1 | | | | | | | 190 |
| 4 | CAPACITOR | 61080538 | | | | | | | | | | | 1 | 1 | | | 1 | 1 | 150 |
| 4 | CAPACITOR | 61080554 | 1 | | | | | | | 1 | | | 1 | | | | | | 150 |
| 4 | CAPACITOR | 61080569 | | 1 | | | | | | | | | | | | 1 | | | 150 |
| 4 | CAPACITOR | 61080535 | | | 1 | 1 | 1 | 1 | 1 | 1 | | 1 | 1 | | | 1 | | | 150 |
| 6 | SUPPLY CORD | 60500054 | 1 | | 1 | | | | 1 | 1 | 1 | 1 | 1 | 1 | 1 | 1 | 1 | 1 | 220 |
| 6 | SUPPLY CORD | 60500053 | | 1 | | 1 | 1 | | | | | | | | | | | | 220 |
| 6 | SWITCH | 60607203 | 1 | 1 | 1 | 1 | 1 | | | | | | | | | | | | 130 |
| 6 | SWITCH | 60607205 | | | | | | | 1 | 1 | 1 | | | | | | | | 130 |
| 6 | SWITCH | 60607204 | | | | | | | | | | | | | | | 1 | 1 | 130 |
| 7 | SWITCH (YES - NO) | 61806102 | 1 | 1 | 1 | 1 | 1 | 1 | 1 | 1 | | | | | | | 1 | 1 | 132 |
| 8 | FAN MOTOR | 61871431 | 1 | | 1 | | | | | | | | | | | | | | 110 |
| 8 | FAN MOTOR | 61871428 | | | | | | | | 1 | 1 | 1 | 1 | 1 | | | | | 110 |
| 8 | FAN MOTOR | 61871430 | | | | | | | | | | | | 1 | 1 | | | | 110 |
| 8 | FAN MOTOR | 61871436 | | 1 | | 1 | | | | | | | | | | | 1 | 1 | 110 |
| 8 | FAN MOTOR | 61071480 | | | 1 | 1 | | | | | | | | | | | | | 110 |
| 8 | FAN MOTOR | 61071493 | | | | | 1 | | | | | | | | | | | | 110 |
| 8 | FAN MOTOR | 61071476 | | | | | | | | | | | 1 | | | | | | 110 |
| 8 | FAN MOTOR | 61071479 | | | | | | | 1 | | | | | | | | 1 | | 110 |
| * | SOLENOID COIL | 25063500 | | | | | | | | | | | | | | | 1 | 1 | 240 |

* PARTS NOT SHOWN

SMALL CHASSIS "S" SERIES PARTS LIST

| REF | DESCRIPTION | PART NO# | KS 115 | | | | | RS 115 | | | SS 115 | | | | | YS 115 | | CODE | |
|-----|----------------------|----------|-----------|-----------|-----------|------------|------------|------------|----------|----------|------------|------------|------------|-------------|------------|-------------|-------------|------|------------|
| | | | KS10E10-A | KS12E10-A | KS10J10-B | KS12J10A-A | KS12J10B-A | RS12J10A-B | RS10J10B | RS10J10C | SS08J10R-A | SS09J10B-A | SS09J10C-A | SS10J10AR-A | SS10J10R-A | SS12J10AR-A | SS12J10AR-B | | YS09J10A-A |
| 9 | COMPRESSOR | 61716640 | | | | | | | | | | | | | | | | | 600 |
| 9 | COMPRESSOR | 61562838 | | | | 1 | | | | | | | | | | | | | 600 |
| 9 | COMPRESSOR | 61562832 | | | | | | | | 1 | | | | | | | | | 600 |
| 9 | COMPRESSOR | 61562833 | | | | | | | | | 1 | | | | | | | | 600 |
| 9 | COMPRESSOR | 61716622 | 1 | | 1 | | | | | | | | | | | | | | 600 |
| 9 | COMPRESSOR | 61716640 | | 1 | | | | | | | | | | | | | | | 600 |
| 9 | COMPRESSOR | 61562608 | | | | | | | | | | 1 | | | | | | | 600 |
| 9 | COMPRESSOR | 61716641 | | | | | | | 1 | | | | | | | | | | 600 |
| 9 | COMPRESSOR | 61562838 | | | | | 1 | 1 | | | | | | | 1 | | | | 600 |
| 9 | COMPRESSOR | 61562802 | | | | | | | | | | 1 | | | | | | | 600 |
| 9 | COMPRESSOR | 61562832 | | | | | | | | | 1 | | | | | | | | 600 |
| 9 | COMPRESSOR | 61562833 | | | | | | | | | | 1 | | | | | | | 600 |
| 9 | COMPRESSOR | 61562802 | | | | | | | | | | | 1 | | | | | | 600 |
| 9 | COMPRESSOR | 61562807 | | | | | | | | | | | | 1 | | | 1 | 1 | 600 |
| 10 | EVAPORATOR COIL | 61850101 | | | 1 | 1 | | | | | 1 | | 1 | | | | | | 400 |
| 10 | EVAPORATOR COIL | 61850100 | 1 | 1 | | 1 | 1 | 1 | 1 | 1 | 1 | 1 | 1 | 1 | 1 | 1 | 1 | 1 | 400 |
| 11 | CONDENSER COIL | 61850303 | | | 1 | | | | | | | 1 | | 1 | | | | | 410 |
| 11 | CONDENSER COIL | 61850217 | | 1 | 1 | 1 | 1 | | | | | | | | | 1 | | | 410 |
| 11 | CONDENSER COIL | 61850302 | 1 | | | | | 1 | 1 | 1 | | 1 | | | 1 | 1 | 1 | 1 | 410 |
| 11 | CONDENSER COIL | 61850300 | | | | | | | | | | 1 | 1 | | | | | | 410 |
| * | DRIER, LIQUID | 60308101 | 1 | 1 | 1 | 1 | 1 | 1 | | 1 | 1 | 1 | 1 | 1 | | 1 | 1 | 1 | 480 |
| * | DRIER, SUCTION | 61828200 | 1 | 1 | 1 | 1 | 1 | 1 | | 1 | 1 | 1 | 1 | 1 | | 1 | 1 | 1 | 480 |
| * | CHECK VALVE/CAP ASSY | 61865300 | | | | | | | | | | | | | | | 1 | 1 | 510 |
| * | CHECK VALVE | 61824400 | | | | | | | | | | | | | | | 1 | 1 | 510 |
| * | REVERSING VALVE | 25018200 | | | | | | | | | | | | | | | 1 | 1 | 500 |
| * | CAPILLARY TUBE (HTG) | 03760513 | | | | | | | | | | | | | | | 1 | 1 | 471 |
| * | CAPILLARY TUBE (CLG) | 03760554 | | | | | | | | | | | | | | | 1 | | 471 |
| * | CAPILLARY TUBE | 03760556 | | | | | | | | | | | | | | | | 1 | 471 |
| * | CAPILLARY TUBE | 03760511 | | | | | | | 1 | | | | | | | | | | 471 |
| * | CAPILLARY TUBE | 03760520 | 1 | | 1 | 1 | 1 | 1 | | 1 | | | | | 1 | | | | 471 |
| * | CAPILLARY TUBE | 03760473 | | 1 | | | | | | | | | 1 | 1 | | 1 | | | 471 |
| * | CAPILLARY TUBE | 01389903 | | | | | | | | | | | 1 | | | | | | 471 |
| * | CAPILLARY TUBE | 01390212 | | | 1 | | | | | | | 1 | | | | | | | 471 |
| * | CAPILLARY TUBE | 03760548 | | | | | | | | | 1 | | | | | | | | 471 |

* PARTS NOT SHOWN

SMALL CHASSIS "S" SERIES PARTS LIST

| REF | DESCRIPTION | PART NO# | KS | | | | | RS | | | SS | | | | | | YS | | CODE |
|-----|--------------------------|----------|-----------|-----------|-----------|------------|------------|------------|-----------|----------|------------|------------|------------|-------------|------------|-------------|-------------|------------|------|
| | | | KS10E10-A | KS12E10-A | KS10J10-B | KS12J10A-A | KS12J10B-A | RS12J10A-1 | RS10J10-B | RS10J10C | SS08J10R-A | SS09J10B-A | SS09J10C-A | SS10J10AR-A | SS10J10R-A | SS12J10AR-A | SS12J10AR-B | YS09J10A-A | |
| 12 | SHROUD, CONDENSER | 61803600 | 1 | 1 | 1 | 1 | 1 | 1 | 1 | 1 | 1 | 1 | 1 | 1 | 1 | 1 | 1 | 1 | 720 |
| * | SHROUD, SML W/SUMP LOOP | 61803601 | 1 | 1 | 1 | 1 | | 1 | 1 | 1 | 1 | 1 | 1 | 1 | 1 | 1 | 1 | 1 | 720 |
| 13 | FAN BLADE, CONDENSER | 60542003 | 1 | 1 | 1 | 1 | 1 | 1 | 1 | 1 | 1 | 1 | 1 | 1 | 1 | 1 | 1 | 1 | 710 |
| 14 | BLOWER WHEEL, EVAPORATOR | 60610603 | | 1 | 1 | | | 1 | | | | 1 | 1 | 1 | | | | 1 | 700 |
| 14 | BLOWER WHEEL, EVAPORATOR | 60610604 | 1 | | | | | | | 1 | | | | | | | | | 700 |
| 14 | BLOWER WHEEL, EVAPORATOR | 60610601 | | | | 1 | 1 | | | | | | | | | | | | 700 |
| 14 | BLOWER WHEEL, EVAPORATOR | 60610607 | | | | | | | 1 | | | | | 1 | 1 | | | | 700 |
| 15 | BRACE, COND. SHROUD | 61802600 | 3 | 3 | 3 | 3 | 3 | 3 | 3 | 3 | 3 | 3 | 3 | 3 | 3 | 3 | 3 | 3 | 722 |
| 16 | SCROLL | 61814900 | 1 | 1 | 1 | 1 | 1 | 1 | | | 1 | 1 | | 1 | 1 | | 1 | 1 | 743 |
| 16 | SCROLL | 61814902 | | | | | | 1 | 1 | 1 | | | | | | | | | 743 |
| 17 | BLOWER FRONT | 61817300 | 1 | 1 | 1 | 1 | 1 | 1 | 1 | 1 | 1 | 1 | 1 | 1 | 1 | 1 | 1 | 1 | 742 |
| * | INSULATION, INNER WALL | 61816900 | 1 | 1 | 3 | 3 | 1 | 1 | 1 | 1 | 1 | 1 | 1 | 1 | 1 | 1 | 3 | 1 | 781 |
| 18 | INNER WALL | 61907300 | 1 | 1 | 1 | 1 | 1 | 1 | 1 | 1 | 1 | 1 | 1 | 1 | 1 | 1 | 1 | 1 | 777 |
| 19 | COVER, TOP | 61906700 | 1 | 1 | 1 | 1 | 1 | 1 | 1 | 1 | 1 | 1 | 1 | 1 | 1 | 1 | 1 | 1 | 746 |
| 20 | INSULATION, TOP COVER | 61816701 | 1 | 1 | 1 | 1 | 1 | 1 | 1 | 1 | 1 | 1 | 1 | 1 | 1 | 1 | 1 | 1 | 781 |
| 21 | DECK | 61817100 | 1 | 1 | 1 | 1 | 1 | 1 | 1 | 1 | 1 | 1 | 1 | 1 | 1 | 1 | 1 | 1 | 745 |
| 22 | AIR FOIL | 61820200 | 1 | 1 | 1 | 1 | 1 | 1 | 1 | 1 | 1 | 1 | 1 | 1 | 1 | 1 | 1 | 1 | 744 |
| 23 | MOUNT, FAN MOTOR | 61802500 | 1 | 1 | 1 | 1 | 1 | 1 | 1 | 1 | 1 | 1 | 1 | 1 | 1 | 1 | 1 | 1 | 900 |
| 24 | SHIELD, BOTTOM | 61812900 | | | | | | | | | | | | | | | | 1 | 999 |
| 25 | BRACKET, HEATER MT. | 61818900 | | | | | | | | | | | | | | | | | 999 |
| 26 | SHIELD, SIDE | 61821800 | | | | | | | | | | | | | | | | 1 | 999 |
| 27 | BASE PAN | 61803409 | | | | 1 | 1 | 1 | | | 1 | 1 | 1 | | | 1 | 1 | | 730 |
| 27 | BASE PAN | 61803411 | 1 | 1 | 1 | | | | 1 | 1 | | | | 1 | 1 | | | | 730 |
| 27 | BASE PAN | 61809001 | | | | | | | | | | | | | | | | 1 | 730 |
| * | DRAIN PAN | 61803800 | 1 | 1 | 1 | 1 | 1 | 1 | 1 | 1 | 1 | 1 | 1 | 1 | 1 | 1 | 1 | 1 | 840 |
| * | BELLOWS, DRAIN VALVE | 60179900 | | | | | | | | | | | | | | | | 1 | 801 |
| * | GRILLE, REAR | 61818800 | 1 | 1 | 1 | 1 | 1 | 1 | 1 | 1 | 1 | 1 | 1 | 1 | 1 | 1 | 1 | 1 | 771 |
| 28 | DOOR, SLIDE ASSLY. | 61821500 | 1 | 1 | 1 | 1 | 1 | 1 | 1 | 1 | 1 | 1 | 1 | 1 | 1 | 1 | 1 | 1 | 810 |
| * | CONNECTOR, SLIDE DOOR | 61814800 | 1 | 1 | 1 | 1 | 1 | 1 | 1 | 1 | 1 | 1 | 1 | 1 | 1 | 1 | 1 | 1 | 811 |
| 29 | PANEL, CTRL. MT. | 61807200 | 1 | 1 | 1 | 1 | 1 | 1 | 1 | 1 | | | | | | | | 1 | 999 |
| 29 | PANEL, CTRL. MT. | 61807201 | | | | | | | | | 1 | 1 | 1 | 1 | 1 | 1 | 1 | | 999 |
| 30 | BRACKET, CAP. MT | 61820400 | 1 | 1 | 1 | 1 | 1 | 1 | | | 1 | 1 | 1 | 1 | 1 | 1 | 1 | 1 | 999 |
| * | PANEL, L/S | 61937200 | 1 | 1 | 1 | 1 | | | 1 | 1 | 1 | 1 | 1 | | 1 | 1 | 1 | 1 | 999 |
| * | PANEL, LIS | 61907000 | | | 1 | 1 | 1 | 1 | | | 1 | 1 | | 1 | 1 | | 1 | | 999 |
| 31 | PARTITION, CTRL. BOX | 61802800 | 1 | 1 | 1 | 1 | 1 | 1 | 1 | 1 | 1 | 1 | 1 | 1 | 1 | 1 | 1 | 1 | 999 |
| 32 | DECORATIVE PANEL | 61822603 | | | | | | 1 | 1 | 1 | | | | | | | | | 999 |
| * | BUSHING, SUPPLY CORD | 60071312 | 1 | 1 | 1 | 1 | 1 | 1 | 1 | 1 | 1 | 1 | | 1 | 1 | | 1 | 1 | 999 |
| 32 | DECORATIVE PANEL | 61822600 | 1 | 1 | 1 | 1 | 1 | | 1 | | | | | | | | | | 999 |
| 33 | KNOBS, CTRL. | 61493905 | 2 | 2 | 2 | 2 | 2 | 2 | 2 | 2 | | | | | | | | 2 | 761 |
| * | HOLDER, THERMISTER | 61925001 | | | | | | | | | 1 | 1 | 1 | 1 | 1 | 1 | 1 | | 764 |
| * | HOLDER, AIR FILTER | 61823000 | 2 | 2 | 2 | 2 | 2 | 2 | 2 | 2 | 2 | 2 | 2 | 2 | 2 | 2 | 2 | 2 | 756 |
| * | FILTER, AIR | 60865808 | 1 | 1 | 1 | 1 | 1 | 1 | 1 | 1 | 1 | 1 | | 1 | 1 | | 1 | 1 | 754 |
| * | CLAMP, SUPPLY CORD | 91500301 | 1 | 1 | 1 | 1 | 1 | 1 | 1 | 1 | 1 | 1 | | 1 | 1 | | 1 | 1 | 999 |
| * | BRACKET, RESISTO BLOCK | 61820600 | 1 | 1 | 1 | 1 | 1 | 1 | 1 | 1 | | | | | | | | 1 | 999 |
| 34 | GROMMET, SUCTION LINE | 61807602 | 1 | 1 | 1 | 1 | 1 | 1 | 1 | 1 | 1 | 1 | 1 | 1 | 1 | 1 | 1 | 1 | 999 |
| 34 | GROMMET, COMPRESSOR | 61028900 | 3 | 3 | 3 | 3 | 3 | 3 | 3 | 3 | 3 | 3 | 3 | 3 | 3 | 3 | 3 | 3 | 790 |
| 35 | SCREW, COMPRESSOR MT. | 91400400 | 3 | 3 | 3 | 3 | 3 | 3 | 3 | 3 | 3 | 3 | 3 | 3 | 3 | 3 | 3 | 3 | 999 |
| * | COUNTER WEIGHT | 61715800 | 2 | 2 | 2 | 2 | 2 | 2 | 2 | 2 | 2 | 2 | 2 | 2 | 2 | 2 | 2 | 2 | 999 |
| 36 | PLENUM ASSLY. | 61810200 | 1 | 1 | 1 | 1 | 1 | 1 | 1 | 1 | 1 | 1 | | 1 | 1 | 1 | 1 | 1 | 753 |

* PARTS NOT SHOWN

SMALL CHASSIS "S" SERIES PARTS LIST

| REF | DESCRIPTION | PART NO# | KS | | | | | RS | | | SS | | | | | YS | | CODE | | | |
|-----------------------------|------------------------|----------|-----------|-----------|-----------|------------|------------|------------|-----------|----------|------------|------------|------------|-------------|------------|-------------|-------------|------|------------|------------|-----|
| | | | KS10E10-A | KS12E10-A | KS10J10-B | KS12J10A-A | KS12J10B-A | RS12J10A-1 | RS10J10-B | RS10J10C | SS08J10R-A | SS09J10B-A | SS09J10C-A | SS10J10AR-A | SS10J10R-A | SS12J10AR-A | SS12J10AR-B | | YS09J10A-A | YS09J10B-A | |
| * | LEVER, FRESH & EXHAUST | 61809200 | 1 | 1 | 1 | 1 | 1 | 1 | 1 | 1 | 1 | 1 | 1 | 1 | 1 | 1 | 1 | 1 | 1 | 999 | |
| * | KNOB, FRESH & EXHAUST | 61809300 | 1 | 1 | 1 | 1 | 1 | 1 | 1 | 1 | 1 | 1 | 1 | 1 | 1 | 1 | 1 | 1 | 1 | 764 | |
| 37 | INTAKE GRILLE | 61808900 | 1 | 1 | 1 | 1 | 1 | 1 | 1 | 1 | 1 | 1 | 1 | 1 | 1 | 1 | 1 | 1 | 1 | 772 | |
| * | LATCH, INTAKE GRILLE | 61819900 | 2 | 2 | 2 | 2 | 2 | 2 | 2 | 2 | 2 | 2 | 2 | 2 | 2 | 2 | 2 | 2 | 2 | 999 | |
| 38 | OUTER SHELL ASSLY | 61803205 | 1 | 1 | 1 | 1 | 1 | 1 | 1 | 1 | 1 | 1 | 1 | 1 | 1 | 1 | 1 | 1 | 1 | 770 | |
| 39 | SILL PLATE | 61808403 | 1 | 1 | 1 | 1 | 1 | 1 | 1 | 1 | 1 | 1 | 1 | 1 | 1 | 1 | 1 | 1 | 1 | 999 | |
| * | CHASSIS GUIDE, SHELL | 61819601 | 2 | 2 | 2 | 2 | 2 | 2 | 2 | 2 | 2 | 2 | 2 | 2 | 2 | 2 | 2 | 2 | 2 | 999 | |
| * | FRIEDRICH SCRIPT | 60169105 | | | 1 | 1 | 1 | 1 | 1 | 1 | 1 | 1 | 1 | 1 | 1 | 1 | 1 | 1 | 1 | 999 | |
| * | PUSHNUTS, SCRIPT | 91002900 | 2 | 2 | 2 | 2 | 2 | 2 | 2 | 2 | 2 | 2 | 2 | 2 | 2 | 2 | 2 | 2 | 2 | 999 | |
| * | ACCESSORY PKGE. | 61105004 | | | 1 | 1 | 1 | 1 | 1 | 1 | 1 | 1 | 1 | 1 | 1 | 1 | 1 | 1 | 1 | 999 | |
| 40 | WINGBOARD | 60294408 | 1 | 1 | 1 | 1 | 1 | 1 | 1 | 1 | 1 | 1 | 1 | 1 | 1 | 1 | 1 | 1 | 1 | 999 | |
| 41 | BRACKET, SUPPORT | 61109503 | 2 | 2 | 2 | 2 | 2 | 2 | 2 | 2 | 2 | 2 | 2 | 2 | 2 | 2 | 2 | 2 | 2 | 999 | |
| 42 | ANGLE, WINGBOARD | 61819801 | 2 | 2 | 2 | 2 | 2 | 2 | 2 | 2 | 2 | 2 | 2 | 2 | 2 | 2 | 2 | 2 | 2 | 999 | |
| 43 | ANGLE, TOP | 61819701 | 1 | 1 | 1 | 1 | 1 | 1 | 1 | 1 | 1 | 1 | 1 | 1 | 1 | 1 | 1 | 1 | 1 | 999 | |
| 44 | GASKET, VINYL | 60610303 | 1 | 1 | 1 | 1 | 1 | 1 | 1 | 1 | 1 | 1 | 1 | 1 | 1 | 1 | 1 | 1 | 1 | 999 | |
| * | HARDWARE BAG(SCREWS) | 60846017 | | | | | | | | | | | | | | | | | 1 | 1 | 999 |
| * | HARDWARE BAG(SCREWS) | 60846016 | 1 | 1 | 1 | 1 | 1 | 1 | 1 | 1 | 1 | 1 | 1 | 1 | 1 | 1 | 1 | 1 | 1 | 999 | |
| 45 | GASKET, CHASSIS | 61717301 | 1 | 1 | 1 | 1 | 1 | 1 | 1 | 1 | 1 | 1 | 1 | 1 | 1 | 1 | 1 | 1 | 1 | 999 | |
| 45 | GASKET, WINDOW | 60073300 | | | 1 | 1 | 1 | 1 | 1 | 1 | 1 | 1 | 1 | 1 | 1 | 1 | 1 | 1 | 1 | 999 | |
| * | CARTON, SHIPPING | 61839800 | | | | | | | | | | 1 | 1 | 1 | 1 | 1 | 1 | 1 | 1 | 999 | |
| * | PAD, SHIPPING | 61839500 | 1 | 1 | 1 | 1 | 1 | 1 | 1 | 1 | 1 | 1 | 1 | 1 | 1 | 1 | 1 | 1 | 1 | 999 | |
| * | PAD, FRONT SUPPORT | 61839700 | 1 | 1 | 1 | 1 | 1 | 1 | 1 | 1 | 1 | 1 | 1 | 1 | 1 | 1 | 1 | 1 | 1 | 999 | |
| * | PAD, SHIPPING TOP | 61839600 | 1 | 1 | 1 | 1 | 1 | 1 | 1 | 1 | 1 | 1 | 1 | 1 | 1 | 1 | 1 | 1 | 1 | 999 | |
| * | CARTON, SHIPPING | 61839801 | 1 | 1 | 1 | 1 | 1 | 1 | 1 | 1 | 1 | 1 | 1 | 1 | 1 | 1 | 1 | 1 | 1 | 999 | |
| OPTIONAL ACCESSORIES | | | | | | | | | | | | | | | | | | | | | |
| * | ACCESSORY PACKAGE | WIKS | | | | | | | | | | | | | | | | | 1 | 1 | |
| * | DRAIN KIT, DC-2 | 01900235 | 1 | 1 | 1 | 1 | 1 | 1 | 1 | | | 1 | 1 | | 1 | 1 | | 1 | 1 | 1 | |
| * | START KIT, CAP.RELAY | 61008903 | 1 | 1 | 1 | 1 | 1 | 1 | 1 | | | 1 | 1 | | 1 | 1 | | 1 | 1 | 1 | |
| * | REMOTE CONTROLLER | 61826602 | | | | | | | | | | 1 | | | | | | 1 | | | |
| * | INSTALLATION BOOK | 92003601 | | | 1 | 1 | 1 | 1 | 1 | | | 1 | 1 | | 1 | 1 | | | 1 | 1 | |
| * | INSTALLATION BOOK | 92003602 | | | | | | | | | | | | | | | | 1 | | | |
| * | OPERATION BOOK | 92000304 | | | | | | | | | | | | | | | | | 1 | 1 | |
| * | OPERATION BOOK | 92000505 | | | 1 | 1 | 1 | 1 | | | | | | | | | | | | | |
| * | OPERATION BOOK | 92006102 | | | | | | 1 | | | | | | | | | | | | | |
| * | OPERATION BOOK | 92009002 | | | | | | | | | | 1 | 1 | | 1 | 1 | | 1 | | | |
| * | QUICK REF. CARD | 92004401 | | | | | | | | | | 1 | 1 | | 1 | 1 | | 1 | | | |
| * | PARTS MANUAL | 92013200 | | | 1 | 1 | 1 | 1 | 1 | | | 1 | 1 | | 1 | 1 | | 1 | 1 | 1 | |
| * | SERVICE MANUAL | 92013100 | | | 1 | 1 | 1 | 1 | 1 | | | 1 | 1 | | 1 | 1 | | 1 | 1 | 1 | |

* PARTS NOT SHOWN

SMALL CHASSIS "S" SERIES PARTS LIST

| REF | DESCRIPTION | PART NO# | EK 230 | ES 230 | KS 230 | RS 230 | SS 230 | YS 230 | CODE | | |
|-----------------------------------|----------------------|----------|------------|-----------|------------|------------|------------|------------|------------|-----------|-----|
| | ELECTRICAL PARTS | | EK12J33B-A | ES12J33-A | ES16J33A-A | KS12J30B-A | RS16J30A-A | SS12J30B-A | SS16J30A-A | YS12J33-A | |
| 1 | THERMOSTAT | 61822400 | 1 | 1 | 1 | | | | 1 | 120 | |
| 1 | THERMOSTAT | 61822500 | | | | 1 | 1 | | | 120 | |
| * | THERMOSTAT, DEFROST | 61350313 | | | | | | | 1 | 122 | |
| 2 | ELECTRONIC CTR. | 61921104 | | | | | 1 | 1 | | 331 | |
| 3 | RESISTOR | 61808001 | 1 | 1 | 1 | 1 | 1 | | 1 | 200 | |
| * | OVERLOAD | 60364596 | | | | | 1 | | | 190 | |
| * | OVERLOAD | 61764521 | 1 | 1 | | 1 | 1 | | 1 | 190 | |
| * | OVERLOAD | 61764532 | | | 1 | 1 | | 1 | | 190 | |
| * | OVERLOAD | 60364597 | | | | | | | | 190 | |
| 4 | CAPACITOR | 61080536 | 1 | | | 1 | | 1 | 1 | 150 | |
| 4 | CAPACITOR | 61080537 | | 1 | 1 | | 1 | | 1 | 150 | |
| 5 | SUPPLY CORD | 60500049 | 1 | 1 | 1 | | | | 1 | 220 | |
| 5 | SUPPLY CORD | 60500051 | | | | 1 | 1 | 1 | 1 | 220 | |
| 6 | SWITCH | 60607204 | 1 | 1 | 1 | | | | 1 | 130 | |
| 6 | SWITCH | 60607203 | | | | 1 | | | | 130 | |
| 6 | SWITCH | 60607205 | | | | | 1 | | | 130 | |
| 7 | SWITCH (YES - NO) | 61806102 | 1 | 1 | 1 | 1 | 1 | | 1 | 132 | |
| 8 | FAN MOTOR | 61871429 | | | | | 1 | | 1 | 110 | |
| 8 | FAN MOTOR | 61871437 | 1 | 1 | | 1 | | | 1 | 110 | |
| 8 | FAN MOTOR | 61871438 | | | 1 | | | | | 110 | |
| 8 | FAN MOTOR | 61871429 | | | | | 1 | | 1 | 110 | |
| 8 | FAN MOTOR | 61871441 | | | | | | 1 | | 110 | |
| * | SOLENOID | 25063600 | | | | | | | | 1 | 240 |
| 8A | HEATER | 61878600 | 1 | 1 | 1 | | | | 1 | 210 | |
| * | FUSE LINK | 61596301 | 1 | 1 | 1 | | | | 1 | 192 | |
| * | LIMITER, HEATER | 61827900 | 1 | 1 | 1 | | | | 1 | 193 | |
| REFRIGERATION SYSTEM PARTS | | | | | | | | | | | |
| 9 | COMPRESSOR | 61562804 | | | | | 1 | | | 600 | |
| 9 | COMPRESSOR | 61716631 | | | 1 | | 1 | | 1 | 600 | |
| 9 | COMPRESSOR | 61716628 | 1 | | | 1 | | | 1 | 600 | |
| 9 | COMPRESSOR | 61716609 | | 1 | | | | | | 600 | |
| 9 | COMPRESSOR | 61562828 | | | 1 | | 1 | | 1 | 600 | |
| 9 | COMPRESSOR | 61562805 | | | | | | | | 600 | |
| 10 | EVAPORATOR COIL | 61850005 | | | 1 | | 1 | | 1 | 400 | |
| 10 | EVAPORATOR COIL | 61850100 | | 1 | | | | | 1 | 400 | |
| 10 | EVAPORATOR COIL | 61850101 | 1 | | | 1 | | 1 | | 400 | |
| 11 | CONDENSER COIL | 61850217 | 1 | | | 1 | | | | 410 | |
| 11 | CONDENSER COIL | 61850302 | | 1 | 1 | | 1 | 1 | | 410 | |
| 11 | CONDENSER COIL | 61850306 | | | | | | | 1 | 410 | |
| * | DRIER, LIQUID | 60308101 | 1 | 1 | 1 | 1 | 1 | 1 | 1 | 480 | |
| * | DRIER, SUCTION | 61828200 | 1 | 1 | 1 | 1 | 1 | 1 | 1 | 480 | |
| * | CHECK VALVE | 61824400 | | | | | | | 1 | 510 | |
| * | REVERSING VALVE | 25018300 | | | | | | | 1 | 500 | |
| * | CAPILLARY TUBE (HTG) | 03760513 | | | | | | | 1 | 471 | |
| * | CAPILLARY TUBE (CLG) | 03760545 | | | | | | | 1 | 471 | |
| * | CAPILLARY TUBE | 01390212 | | | | 1 | | | | 471 | |
| * | CAPILLARY TUBE | 03760511 | | | | | | | | 471 | |
| * | CAPILLARY TUBE | 01390000 | | | | | | 1 | | 471 | |
| * | CAPILLARY TUBE | 01390005 | | | | | 1 | | 1 | 471 | |
| * | CAPILLARY TUBE | 03760520 | 1 | 1 | 1 | 1 | | | | 471 | |

* PARTS NOT SHOWN

SMALL CHASSIS "S" SERIES PARTS LIST

| REF | DESCRIPTION | PART NO# | EK 230 | ES 230 | KS 230 | RS 230 | SS 230 | YS 230 | CODE | | |
|-----|---------------------------|----------|------------|-----------|------------|------------|------------|------------|------------|-----------|-----|
| | CHASSIS PARTS | | EK12J33B-A | ES12J33-A | ES16J33A-A | KS12J30B-A | RS16J30A-A | SS12J30B-A | SS16J30A-A | YS12J33-A | |
| 12 | SHROUD, CONDENSER | 61803600 | 1 | 1 | 1 | 1 | 1 | 1 | 1 | 1 | 720 |
| 13 | FAN BLADE | 60542003 | 1 | 1 | 1 | 1 | 1 | 1 | 1 | 1 | 710 |
| 14 | BLOWER WHEEL | 60610601 | | | 1 | | 1 | | 1 | | 700 |
| 14 | BLOWER WHEEL | 60610603 | 1 | 1 | | 1 | | 1 | | 1 | 700 |
| 15 | BRACE, COND. SHROUD | 61802600 | 3 | 3 | 3 | 3 | 3 | 3 | 3 | 3 | 722 |
| 16 | SCROLL | 61814900 | 1 | 1 | 1 | 1 | 1 | 1 | 1 | 1 | 743 |
| 17 | BLOWER FRONT | 61817300 | 1 | 1 | 1 | 1 | 1 | 1 | 1 | 1 | 742 |
| * | INSULATION, INNER WALL | 61816900 | 1 | 1 | 1 | 1 | 1 | 1 | 1 | 1 | 781 |
| 18 | INNER WALL | 61907300 | 1 | 1 | 1 | 1 | 1 | 1 | 1 | 1 | 777 |
| 19 | COVER, TOP | 61906700 | 1 | 1 | 1 | 1 | 1 | 1 | 1 | 1 | 746 |
| 20 | INSULATION, TOP COVER | 61816701 | 1 | 1 | 1 | 1 | 1 | 1 | 1 | 1 | 781 |
| 21 | DECK | 61817100 | 1 | 1 | 1 | 1 | 1 | 1 | 1 | 1 | 745 |
| 22 | AIR FOIL | 61820200 | 1 | 1 | 1 | | | | | 1 | 744 |
| 22 | AIR FOIL | 61820202 | 1 | 1 | 1 | 1 | 1 | 1 | 1 | | 744 |
| 23 | MOUNT, FAN MOTOR | 61802500 | 1 | 1 | 1 | 1 | 1 | 1 | 1 | 1 | 900 |
| 24 | SHIELD, BOTTOM | 61812900 | | 1 | 1 | 1 | 1 | 1 | 1 | 1 | 999 |
| 24 | SHIELD, BOTTOM | 61812902 | 1 | | | | | | | | 999 |
| 25 | BRACKET, HEATER MT. | 61818900 | 1 | 1 | 1 | | | | | 1 | 999 |
| 26 | SHIELD, SIDE | 61821800 | 1 | 1 | 1 | 1 | 1 | 1 | 1 | 1 | 999 |
| 27 | BASE PAN | 61809005 | 1 | 1 | 1 | | | | | | 730 |
| 27 | BASE PAN | 61803411 | | | | 1 | 1 | 1 | 1 | | 730 |
| 27 | BASE PAN | 61809001 | | | | | | | | 1 | 730 |
| * | DRAIN PAN | 61803800 | 1 | 1 | 1 | 1 | 1 | 1 | 1 | 1 | 840 |
| * | BELLOWS, DRAIN VALVE | 60179900 | 1 | 1 | 1 | | | | | 1 | 801 |
| * | GRILLE, REAR | 61818800 | 1 | 1 | 1 | 1 | 1 | 1 | 1 | 1 | 771 |
| 28 | DOOR, SLIDE ASSLY. | 61821500 | 1 | 1 | 1 | 1 | 1 | 1 | 1 | 1 | 810 |
| * | CONNECTOR, SLIDE DOOR | 61814800 | 1 | 1 | 1 | 1 | 1 | 1 | 1 | 1 | 811 |
| 29 | PANEL, CTRL. MT. | 61807201 | | | | | | | 1 | | 999 |
| 29 | PANEL, CTRL. MT. | 61807200 | 1 | 1 | 1 | 1 | 1 | | | 1 | 999 |
| 30 | BRACKET, CAP. MT | 61820400 | 1 | 1 | 1 | 1 | 1 | 1 | 1 | 1 | 999 |
| * | PANEL, LIS | 61937200 | 1 | 1 | 1 | 1 | 1 | 1 | 1 | 1 | 999 |
| 31 | PARTITION, CTRL. BOX | 61802800 | | | | 1 | 1 | 1 | 1 | | 999 |
| 31 | PARTITION, CTRL. BOX | 61802801 | 1 | 1 | 1 | | | | | 1 | 999 |
| * | BUSHING, SUPPLY CORD | 60071311 | 1 | 1 | 1 | | | | | 1 | 999 |
| * | BUSHING, SUPPLY CORD | 60071312 | 1 | 1 | 1 | 1 | 1 | 1 | 1 | 1 | 999 |
| 32 | DECORATIVE PANEL | 61823300 | 1 | 1 | 1 | 1 | 1 | 1 | 1 | 1 | 999 |
| 32 | DECORATIVE PANEL | 61822600 | 1 | 1 | 1 | 1 | | | | 1 | 999 |
| 33 | KNOBS, CTRL. | 61493905 | 2 | 2 | 2 | 2 | 2 | | | 2 | 761 |
| 29 | PANEL, CONTROL SML | 61807200 | | | | | | | | 1 | 999 |
| 29 | PANEL, CONTROL | 61807201 | | | | | | 1 | 1 | | 999 |
| * | HOLDER, THERMISTER | 61925001 | | | | | | 1 | 1 | | 764 |
| * | HOLDER, AIR FILTER | 61823000 | 2 | 2 | 2 | 2 | 2 | 2 | 2 | 2 | 756 |
| * | FILTER, AIR | 60865808 | 1 | 1 | 1 | 1 | 1 | 1 | 1 | 1 | 754 |
| * | CLAMP, SUPPLY CORD | 91500301 | 1 | 1 | 1 | 1 | 1 | 1 | 1 | 1 | 999 |
| * | BRACKET, RESISTO BLOCK | 61820600 | 1 | 1 | 1 | 1 | 1 | 1 | 1 | 1 | 999 |
| * | GROMMET, SUCTION LINE | 61807602 | 1 | 1 | 1 | 1 | 1 | 1 | 1 | 1 | 999 |
| 34 | GROMMET, COMPRESSOR | 61028900 | 3 | 3 | 3 | 3 | 3 | 3 | 3 | 3 | 790 |
| 35 | SCREW, COMPRESSOR MT. | 91400400 | 3 | 3 | 3 | 3 | 3 | 3 | 3 | 3 | 999 |
| * | COUNTER WEIGHT | 61715800 | 2 | 2 | 2 | 2 | 2 | 2 | 2 | 2 | 999 |
| 36 | PLENUM ASSLY. | 61810200 | 1 | 1 | 1 | 1 | 1 | 1 | 1 | 1 | 753 |
| * | KNOB, FRESH AIR & EXHAUST | 61809300 | 1 | 1 | 1 | 1 | 1 | 1 | 1 | 1 | 761 |

* PARTS NOT SHOWN

SMALL CHASSIS "S" SERIES PARTS LIST

| REF | DESCRIPTION | PART NO# | EK 230 | ES 230 | | KS 230 | RS 230 | SS 230 | | YS 230 | CODE |
|-----------------------------|-------------------------|----------|------------|-----------|------------|------------|------------|------------|------------|-----------|------|
| | | | EK12J33B-A | ES12J33-A | ES16J33A-A | KS12J30B-A | RS16J30A-A | SS12J30B-A | SS16J30A-A | YS12J33-A | |
| | ELECTRICAL PARTS | | | | | | | | | | |
| 37 | INTAKE GRILLE | 61808900 | 1 | 1 | 1 | 1 | 1 | 1 | 1 | 1 | 772 |
| * | LATCH, INTAKE GRILLE | 61819900 | 2 | 2 | 2 | 2 | 2 | 2 | 2 | 2 | 999 |
| 38 | OUTER SHELL ASSLY | 61803205 | 1 | 1 | 1 | 1 | 1 | 1 | 1 | 1 | 999 |
| 39 | SILL PLATE | 61808403 | 1 | 1 | 1 | 1 | 1 | 1 | 1 | 1 | 999 |
| * | CHASSIS GUIDE, SHELL | 61819601 | 2 | 2 | 2 | 2 | 2 | 2 | 2 | 2 | 999 |
| * | FRIEDRICH SCRIPT | 60169105 | 1 | 1 | 1 | 1 | 1 | 1 | 1 | 1 | 999 |
| * | PUSHNUTS, SCRIPT | 91002900 | 2 | 2 | 2 | 2 | 2 | 2 | 2 | 2 | 999 |
| * | ACCESSORY PKGE. | 61105004 | 1 | 1 | 1 | 1 | 1 | 1 | 1 | 1 | 999 |
| 40 | WINGBOARD | 60294408 | 1 | 1 | 1 | 1 | 1 | 1 | 1 | | 999 |
| 41 | BRACKET, SUPPORT | 61109503 | | | | 2 | 2 | 2 | 2 | | 999 |
| 42 | ANGLE, WINGBOARD | 61819801 | | | | 2 | 2 | 2 | 2 | | 999 |
| 43 | ANGLE, TOP | 61819701 | | | | 1 | 1 | 1 | 1 | | 999 |
| 44 | GASKET, VINYL | 60610303 | 1 | 1 | 1 | 1 | 1 | 1 | 1 | 1 | 999 |
| * | HARDWARE BAG(SCREWS) | 60846017 | 1 | 1 | 1 | | | | | 1 | 999 |
| * | HARDWARE BAG(SCREWS) | 60846016 | | | | 1 | 1 | 1 | 1 | | 999 |
| 45 | GASKET, CHASSIS | 61717301 | 1 | 1 | 1 | 1 | 1 | 1 | 1 | 1 | 999 |
| 45 | GASKET, WINDOW | 60073300 | 1 | 1 | 1 | 1 | 1 | 1 | 1 | | 999 |
| * | PAD, SHIPPING TOP | 61839600 | 1 | 1 | 1 | 1 | 1 | 1 | 1 | 1 | 999 |
| * | PAD, SHIPPING | 61839500 | 1 | 1 | 1 | 1 | 1 | 1 | 1 | | 999 |
| * | PAD, FRONT SUPPORT | 61839700 | 1 | 1 | 1 | 1 | 1 | 1 | 1 | 1 | 999 |
| * | CARTON, SHIPPING | 61839800 | | | | | | 1 | 1 | | 999 |
| * | CARTON, SHIPPING | 61839801 | 1 | 1 | 1 | 1 | 1 | | | 1 | 999 |
| OPTIONAL ACCESSORIES | | | | | | | | | | | |
| * | DRAIN KIT, DC-2 | 01900235 | 1 | 1 | 1 | 1 | 1 | 1 | 1 | 1 | |
| * | START KIT, CAP.RELAY | 61008903 | 1 | 1 | 1 | 1 | 1 | 1 | 1 | 1 | |
| * | REMOTE CONTROLLER | 61826602 | | | | | | 1 | 1 | | |
| * | INSTALLATION BOOK | 92003601 | 1 | 1 | 1 | 1 | 1 | 1 | 1 | 1 | |
| * | OPERATION BOOK | 92000304 | 1 | 1 | 1 | | | | | 1 | |
| * | OPERATION BOOK | 92000505 | | | | 1 | | | | | |
| * | OPERATION BOOK | 92006102 | | | | | 1 | | | | |
| * | OPERATION BOOK | 92000901 | | | | | | 1 | 1 | | |
| * | QUICK REF. CARD | 92004401 | | | | | | 1 | 1 | | |
| * | PARTS MANUAL | 92013200 | 1 | 1 | 1 | 1 | 1 | 1 | 1 | 1 | |
| * | SERVICE MANUAL | 92013100 | 1 | 1 | 1 | 1 | 1 | 1 | 1 | 1 | |

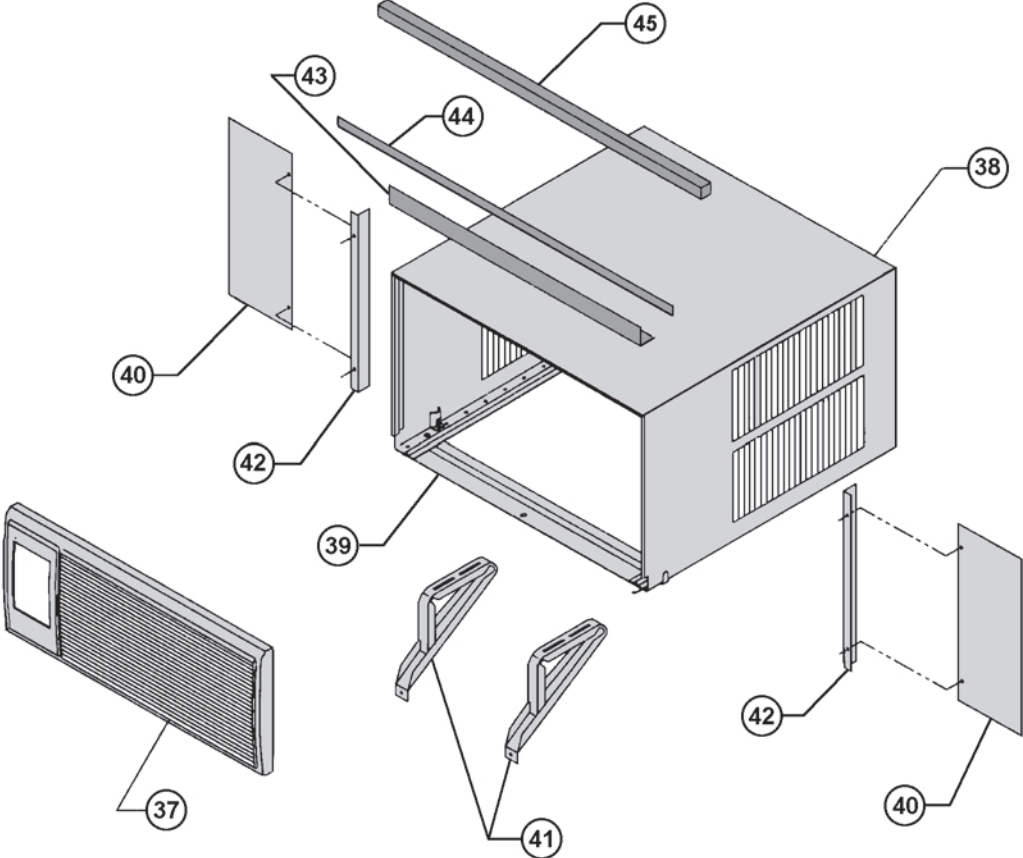
* PARTS NOT SHOWN

"M" Series
115 V / 230 V
Medium Chassis
Room Air Conditioner Section

Medium Chassis "M" SERIES CHASSIS PARTS (EK, EM, KM, RM, SM, & YM)



Medium Chassis "M" SERIES CABINET & MOUNTING PARTS (EK, EM, KM, RM, SM, YM)



MEDIUM CHASSIS "M" SERIES PARTS LIST

| REF | DESCRIPTION | PART NO# | EK 230 | EM 230 | KM 115 | KM 230 | RM 115 | RM 230 | SM 115 | SM 230 | YM 230 | CODE | | |
|-----------------------------------|---------------------|----------|------------|-----------|------------|------------|-----------|------------|-----------|------------|------------|------------|------------|-----|
| | ELECTRICAL PARTS | | EK18J34B-A | EM19J34-B | KM14J10B-A | KM18J30B-A | KM21J30-A | RM14J10A-A | RM19J30-B | SM14J10R-A | SM19J30R-B | SM21J30B-A | YM18J34B-A | |
| 1 | THERMOSTAT | 61822400 | 1 | 1 | | | | | | | | | 1 | 120 |
| 1 | THERMOSTAT | 61822500 | | | 1 | 1 | 1 | 1 | 1 | | | | | 120 |
| * | THERMOSTAT, DEF. | 61350313 | | | | | | | | | | | 1 | 122 |
| 2 | ELECTRONIC BOARD | 61921103 | | | | | | | 1 | | | | | 331 |
| 2 | ELECTRONIC BOARD | 61921104 | | | | | | | | 1 | 1 | | | 331 |
| * | REMOTE CONTROL | 61826602 | | | | | | | 1 | 1 | | | | 350 |
| * | OVERLOAD | 61764522 | | | 1 | | | 1 | 1 | | | | | 190 |
| 4 | CAPACITOR | 61080536 | | 1 | | 1 | | | | | 1 | | 1 | 150 |
| 4 | CAPACITOR | 61080534 | | | | | 1 | | | | | 1 | | 150 |
| 4 | CAPACITOR | 61080536 | 1 | | | 1 | | | | | | | | 150 |
| 4 | CAPACITOR | 61080553 | | | | | | 1 | | | | | | 150 |
| 4 | CAPACITOR | 61080562 | | | 1 | | | 1 | | 1 | | | | 150 |
| 5 | SUPPLY CORD | 60500048 | 1 | 1 | | | | | | | | | 1 | 220 |
| 5 | SUPPLY CORD | 60500053 | | | 1 | | | 1 | | 1 | | | | 220 |
| 5 | SUPPLY CORD | 60500051 | | | | 1 | | | 1 | | 1 | | | 220 |
| 5 | SUPPLY CORD | 60500049 | | | | | 1 | | | | | 1 | | 220 |
| 33 | RESISTOR | 61808001 | 1 | 1 | | 1 | 1 | | 1 | | | | 1 | 200 |
| 33 | RESISTOR | 61808000 | | | 1 | | | 1 | | | | | | 200 |
| 6 | SWITCH | 60607204 | 1 | 1 | | | | | | | | | 1 | 130 |
| 6 | SWITCH | 60607203 | | | 1 | 1 | 1 | | | | | | | 130 |
| 6 | SWITCH | 60607205 | | | | | | 1 | 1 | | | | | 130 |
| 7 | SWITCH (YES - NO) | 61806102 | 1 | 1 | 1 | 1 | 1 | 1 | 1 | | | | 1 | 132 |
| 8 | FAN MOTOR | 61871432 | | | | | | 1 | 1 | 1 | | 1 | | 110 |
| 8 | FAN MOTOR | 61871442 | | | 1 | | | | | | | | | 110 |
| 8 | FAN MOTOR | 61871439 | 1 | 1 | | 1 | 1 | | | | | | | 110 |
| 8 | FAN MOTOR | 61871432 | | | | | | | 1 | | 1 | 1 | | 110 |
| * | SOLENOID COIL | 25063600 | | | | | | | | | | | 1 | 240 |
| 8A | HEATER | 61878601 | 1 | 1 | | | | | | | | | 1 | 210 |
| REFRIGERATION SYSTEM PARTS | | | | | | | | | | | | | | |
| 9 | COMPRESSOR | 61716603 | | 1 | | | | | 1 | | 1 | | 1 | 600 |
| 9 | COMPRESSOR | 61716617 | 1 | | | 1 | | | | | | | | 600 |
| 9 | COMPRESSOR | 61716619 | | | 1 | | | 1 | | 1 | | | | 600 |
| 9 | COMPRESSOR | 61716607 | | | | | 1 | | | | 1 | | | 600 |
| 9 | COMPRESSOR | 61716626 | | | | | | | 1 | | | | | 600 |
| 10 | EVAPORATOR COIL | 61850011 | 1 | | | 1 | | | | | | | | 400 |
| 10 | EVAPORATOR COIL | 61850002 | | 1 | 1 | | 1 | 1 | 1 | 1 | 1 | | | 400 |
| 10 | EVAPORATOR COIL | 61850001 | | | | | | | | | | | 1 | 400 |
| 11 | CONDENSER COIL | 61850200 | 1 | 1 | 1 | 1 | 1 | 1 | 1 | 1 | 1 | | | 410 |
| 11 | CONDENSER COIL | 61850205 | | | | | | | | | | | 1 | 410 |
| * | DRIER, LIQUID | 60308101 | 1 | 1 | 1 | 1 | 1 | 1 | 1 | 1 | 1 | 1 | | 480 |
| * | DRIER, SUCTION | 61828200 | 1 | 1 | 1 | 1 | 1 | 1 | 1 | 1 | 1 | 1 | 1 | 480 |
| * | CHECK VALVE | 61824400 | | | | | | | | | | | 1 | 510 |
| * | REVERSING VALVE | 25018700 | | | | | | | | | | | 1 | 500 |
| * | CAPILLARY TUBE(HTG) | 03760473 | | | | | | | | | | | 1 | 471 |
| * | CAPILLARY TUBE(CLG) | 03760555 | | | | | | | | | | | 1 | 471 |
| * | CAPILLARY TUBE | 01389975 | 1 | | | 1 | | | | | | | | 471 |
| * | CAPILLARY TUBE | 03760479 | | 3 | | | 3 | | 3 | | 3 | 3 | | 471 |
| * | CAPILLARY TUBE | 03760500 | | | 1 | | | 1 | | 1 | | | | 471 |

* PARTS NOT SHOWN

MEDIUM CHASSIS "M" SERIES PARTS LIST

| REF | DESCRIPTION | PART NO# | EK 230 | EM 230 | KM 115 | KM 230 | RM 115 | RM 230 | SM 115 | SM 230 | YM 230 | CODE | |
|-----|-----------------------|----------|------------|-----------|------------|------------|-----------|------------|-----------|------------|------------|------------|------------|
| | CHASSIS PARTS | | EK18J34B-A | EM19J34-B | KM14J10B-A | KM18J30B-A | KM21J30-A | RM14J10A-A | RM19J30-B | SM14J10R-A | SM19J30R-B | SM21J30B-A | YM18J34B-A |
| 12 | SHROUD, CONDENSER | 61804900 | 1 | 1 | 1 | 1 | 1 | 1 | 1 | 1 | 1 | 1 | 720 |
| 13 | FAN BLADE, COND. | 60542004 | 1 | 1 | 1 | 1 | 1 | 1 | 1 | 1 | 1 | 1 | 710 |
| 14 | BLOWER WHEEL, EVAP. | 60610601 | 1 | 1 | | 1 | | 1 | 1 | 1 | | | 700 |
| 14 | BLOWER WHEEL, EVAP. | 60610603 | | | 1 | | | 1 | | 1 | | | 700 |
| 14 | BLOWER WHEEL, EVAP. | 60610605 | | | | 1 | | | | | 1 | 1 | 700 |
| 15 | BRACE, COND.SHROUD | 61802600 | 3 | 3 | 3 | 3 | 3 | 3 | 3 | 3 | 3 | 3 | 722 |
| 16 | SCROLL | 61817500 | 1 | 1 | 1 | 1 | 1 | 1 | 1 | 1 | 1 | 1 | 743 |
| 17 | BLOWER FRONT | 61817400 | 1 | 1 | 1 | 1 | 1 | 1 | 1 | 1 | 1 | 1 | 742 |
| * | INSULATION, LIS | 61816800 | 1 | 1 | 1 | 1 | 1 | 1 | 1 | 1 | 1 | 1 | 781 |
| 20 | INSULATION, TOP | 61816701 | 1 | 1 | 1 | 1 | 1 | 1 | 1 | 1 | 1 | 1 | 781 |
| | INSULATION, INNERWALL | 61816901 | 1 | 1 | 1 | 1 | 1 | 1 | 1 | 1 | 1 | 1 | 781 |
| 18 | INNER WALL | 61907200 | 1 | 1 | 1 | 1 | 1 | 1 | 1 | 1 | 1 | 1 | 777 |
| 19 | TOP COVER | 61906700 | 1 | 1 | 1 | 1 | 1 | 1 | 1 | 1 | 1 | 1 | 746 |
| 21 | DECK | 61817100 | 1 | 1 | 1 | 1 | 1 | 1 | 1 | 1 | 1 | 1 | 745 |
| 22 | AIR FOIL | 61820200 | 1 | 1 | 1 | 1 | 1 | 1 | 1 | 1 | 1 | 1 | 744 |
| 24 | SHIELD, BOTTOM | 61812900 | 1 | | | | | | | | | | 999 |
| 24 | SHIELD, BOTTOM | 61812901 | | 1 | | | | | | | | | 999 |
| 26 | SHIELD, SIDE | 61821801 | 1 | 1 | | | | | | | | | 999 |
| 25 | BRACKET, HTR | 61818900 | 1 | 1 | | | | | | | | | 730 |
| 27 | BASE PAN | 61809005 | 1 | 1 | | | | | | | | | 730 |
| 27 | BASE PAN | 61803401 | | | 1 | 1 | 1 | 1 | 1 | 1 | 1 | | 730 |
| 27 | BASE PAN | 61803411 | | | | 1 | | 1 | | | | | 730 |
| 27 | BASE PAN | 61809009 | | | | | | | | | | 1 | 730 |
| * | BELLOWS, DRAIN VALVE | 60179900 | 1 | 1 | | | | | | | | | 801 |
| * | DRAIN PAN, EVAP. | 61803800 | 1 | 1 | 1 | 1 | 1 | 1 | 1 | 1 | 1 | 1 | 840 |
| * | GRILLE, REAR | 61818801 | 1 | 1 | 1 | 1 | 1 | 1 | 1 | 1 | 1 | 1 | 771 |
| 28 | DOOR, SLIDE ASSY | 61821500 | 1 | 1 | 1 | 1 | 1 | 1 | 1 | 1 | 1 | 1 | 810 |
| * | CONNECTOR SLIDE ASSY | 61814800 | 1 | 1 | 1 | 1 | 1 | 1 | 1 | 1 | 1 | 1 | 811 |
| * | WIRE CLIP, SLIDE ASSY | 60301800 | 1 | 1 | 1 | 1 | 1 | 1 | 1 | 1 | 1 | 1 | 999 |
| 29 | PANEL, CTRL. MOUNT | 61811000 | 1 | 1 | 1 | 1 | 1 | 1 | | | | | 999 |
| 29 | PANEL, CTRL. MOUNT | 61811001 | | | | | | | 1 | 1 | 1 | | 999 |
| * | PANEL, LIS MED | 61937100 | 1 | | 1 | 1 | 1 | 1 | 1 | 1 | 1 | | 999 |
| * | PANEL, LIS | 61906900 | 1 | 1 | | 1 | 1 | 1 | | | 1 | 1 | 999 |
| 31 | PARTITION, CTRL. BOX | 61804301 | 1 | 1 | | | | | | | | | 999 |
| 31 | PARTITION, CTRL. BOX | 61804300 | | | 1 | 1 | 1 | 1 | 1 | 1 | 1 | | 999 |
| 30 | BRACKET, CAP. MOUNT | 61820400 | 1 | 1 | 1 | 1 | 1 | 1 | 1 | 1 | 1 | 1 | 999 |
| * | STRAP, CAP. | 61820700 | 1 | 1 | 1 | 1 | 1 | 1 | 1 | 1 | 1 | 1 | 999 |
| 32 | DECORATIVE PANEL | 61823300 | 1 | 1 | | | | | | | | | 999 |
| 32 | DECORATIVE PANEL | 61822600 | | | 1 | 1 | 1 | | | | | | 999 |
| 32 | DECORATIVE PANEL | 61822603 | | | | | 1 | 1 | | | 1 | | 999 |
| 33 | KNOBS, CRTL. | 61493905 | 2 | 2 | 2 | 2 | 2 | 2 | | | | 2 | 761 |
| * | BRACKET, RESISTOR BLK | 61820600 | 1 | 1 | 1 | 1 | 1 | 1 | | | | | 999 |
| * | BLOCK, RESISTOR | 61808001 | 1 | 1 | 1 | 1 | 1 | 1 | | | | | 999 |
| * | HOLDER, THERMISTOR | 61925001 | | | | | | | 1 | 1 | 1 | | 764 |
| * | HOLDER, AIR FILTER | 61823000 | 2 | 2 | 2 | 2 | 2 | 2 | 2 | 2 | 2 | 2 | 756 |
| * | FILTER, AIR | 60865809 | 1 | 1 | 1 | 1 | 1 | 1 | 1 | 1 | 1 | 1 | 754 |
| * | CLAMP, SUPPLY CORD | 91500302 | 1 | 1 | | | | | | | | | 999 |
| * | CLAMP, SUPPLY CORD | 91500301 | | | 1 | 1 | 1 | 1 | 1 | 1 | 1 | | 999 |
| 34 | GROMMET, COMP. | 01150934 | | | | 3 | | | | | | 3 | 790 |
| 34 | GROMMET, COMP. | 61028900 | 3 | 3 | 3 | 3 | 3 | 3 | 3 | 3 | | | 790 |
| 35 | SCREW, COMP. | 91400400 | 3 | 3 | 3 | 3 | 3 | 3 | 3 | 3 | 3 | | 999 |
| * | COUNTER WEIGHT | 61715800 | 1 | 1 | 1 | 1 | 2 | 1 | 2 | 1 | 1 | 2 | 999 |
| * | GROMMET, SUCTION L.N. | 61807600 | 1 | 1 | 1 | 1 | 1 | 1 | 1 | 1 | 1 | 1 | 999 |
| 23 | MOUNT, FAN MOTOR | 61804100 | 1 | 1 | 1 | 1 | 1 | 1 | 1 | 1 | 1 | 1 | 900 |

* PARTS NOT SHOWN

MEDIUM CHASSIS "M" SERIES PARTS LIST

| REF | DESCRIPTION | PART NO# | EK 230 | EM 230 | KM 115 | KM 230 | RM 115 | RM 230 | SM 115 | SM 230 | YM 230 | CODE | | |
|-----------------------------|----------------------|----------|------------|-----------|------------|------------|-----------|------------|-----------|------------|------------|------------|------------|-----|
| | ELECTRICAL PARTS | | EK18J34B-A | EM19J34-B | KM14J10B-A | KM18J30B-A | KM21J30-A | RM14J10A-A | RM19J30-B | SM14J10R-A | SM19J30R-B | SM21J30B-A | YM18J34B-A | |
| 36 | PLENIUM ASLY. | 61810200 | 1 | 1 | 1 | 1 | 1 | 1 | 1 | 1 | 1 | 1 | 1 | 753 |
| 37 | GRILLE, INTAKE | 61811100 | 1 | 1 | 1 | 1 | 1 | 1 | 1 | 1 | 1 | 1 | 1 | 772 |
| * | LATCH, GRILLE INTAKE | 61819900 | 2 | 2 | 2 | 2 | 2 | 2 | 2 | 2 | 2 | 2 | 2 | 999 |
| 38 | OUTER SHELL | 61825701 | 1 | 1 | 1 | 1 | 1 | 1 | 1 | 1 | 1 | 1 | 1 | 770 |
| 39 | SILL PLATE | 61808403 | 1 | 1 | 1 | 1 | 1 | 1 | 1 | 1 | 1 | 1 | 1 | 999 |
| * | CHASSIS GUIDE, SHELL | 61819601 | 2 | 2 | 2 | 2 | 2 | 2 | 2 | 2 | 2 | 2 | 2 | 999 |
| * | CHASSIS RETAINER | 61826400 | 1 | 1 | 1 | 1 | 1 | 1 | 1 | 1 | 1 | 1 | 1 | 999 |
| * | FRIEDRICH SCRIPT | 60169105 | 1 | 1 | 1 | 1 | 1 | 1 | 1 | 1 | 1 | 1 | 1 | 999 |
| * | PUSHNUTS, SCRIPT | 91002900 | 2 | 2 | 2 | 2 | 2 | 2 | 2 | 2 | 2 | 2 | 2 | 999 |
| * | FRIEDRICH SCRIPT | 60169103 | | | | | 1 | | | | | | | 999 |
| * | ACCESSORY PKGE. | 61105005 | | | 1 | 1 | 1 | 1 | 1 | 1 | 1 | 1 | | 999 |
| 40 | WINGBOARD | 60294409 | | | 1 | 1 | 1 | 1 | 1 | 1 | 1 | 1 | | 999 |
| * | HARDWARE (SCREWS) | 60846017 | 1 | 1 | | | | | | | | | 1 | 999 |
| * | HARDWARE (SCREWS) | 60846016 | | | 1 | 1 | 1 | 1 | 1 | 1 | 1 | 1 | | 999 |
| 45 | GASKET, CHASSIS | 61717301 | 1 | 1 | 1 | 1 | 1 | 1 | 1 | 1 | 1 | 1 | 1 | 780 |
| 45 | GASKET, WINDOW | 60073300 | | | 1 | 1 | 1 | 1 | 1 | 1 | 1 | 1 | | 780 |
| 46 | GASKET, VINYL | 60610303 | | | 1 | 1 | 1 | 1 | 1 | 1 | 1 | 1 | | 780 |
| * | CARTON, SHIPPING | 61839803 | | | | | | | 1 | 1 | 1 | | | 999 |
| * | CARTON, SHIPPING | 61839804 | 1 | 1 | 1 | 1 | 1 | 1 | 1 | | | | 1 | 999 |
| * | PAD, SHIPPING TOP | 61839600 | 1 | 1 | 1 | 1 | 1 | 1 | 1 | 1 | 1 | 1 | 1 | 999 |
| * | PAD, FRONT SUPPORT | 61839700 | 1 | 1 | 1 | 1 | 1 | 1 | 1 | 1 | 1 | 1 | 1 | 999 |
| * | PAD, SHIPPING | 61839900 | 2 | 2 | 2 | 2 | 2 | 2 | 2 | 2 | 2 | 2 | 2 | 999 |
| * | PAD, SHIPPING | 61839500 | | | 1 | 1 | 1 | 1 | 1 | 1 | 1 | 1 | | 999 |
| * | PAD, SHIPPING | 61840001 | 1 | 1 | | | | | | | | | 1 | 999 |
| 41 | BRACKET, SUPPORT | 61109503 | | | 2 | 2 | 2 | 2 | 2 | 2 | 2 | 2 | | 999 |
| 43 | ANGLE, TOP SUPPORT | 61819701 | | | 1 | 1 | 1 | 1 | 1 | 1 | 1 | 1 | | 999 |
| 42 | ANGLE, WINGBOARDS | 61819803 | | | 2 | 2 | 2 | 2 | 2 | 2 | 2 | 2 | | 999 |
| OPTIONAL ACCESSORIES | | | | | | | | | | | | | | |
| * | ACCESSORY PKGE. | WIKM | 1 | 1 | | | | | | | | | 1 | |
| * | DRAIN KIT, DC-2 | 01900235 | 1 | 1 | 1 | 1 | 1 | 1 | 1 | 1 | 1 | 1 | 1 | |
| * | START KIT, CAP.RELAY | 61008903 | 1 | 1 | 1 | 1 | 1 | 1 | 1 | 1 | 1 | 1 | 1 | |
| * | REMOTE CONTROLLER | 61826602 | | | | | | | | | | 1 | | |
| * | PARTS MANUAL | 92013200 | 1 | 1 | 1 | 1 | 1 | 1 | 1 | 1 | 1 | 1 | 1 | |
| * | SERVICE MANUAL | 92013100 | 1 | 1 | 1 | 1 | 1 | 1 | 1 | 1 | 1 | 1 | 1 | |
| * | INSTALLATION BOOK | 92003601 | 1 | 1 | 1 | 1 | 1 | 1 | 1 | 1 | 1 | 1 | 1 | |
| * | OPERATION BOOK | 92000304 | 1 | 1 | | | | | | | | | 1 | |
| * | OPERATION BOOK | 92000505 | | | 1 | 1 | 1 | | | | | | | |
| * | OPERATION BOOK | 92006102 | | | | | 1 | 1 | | | | | | |
| * | OPERATION BOOK | 92009001 | | | | | | | 1 | 1 | 1 | | | |
| * | QUICK REF. CARD | 92004401 | | | | | | | 1 | 1 | 1 | | | |

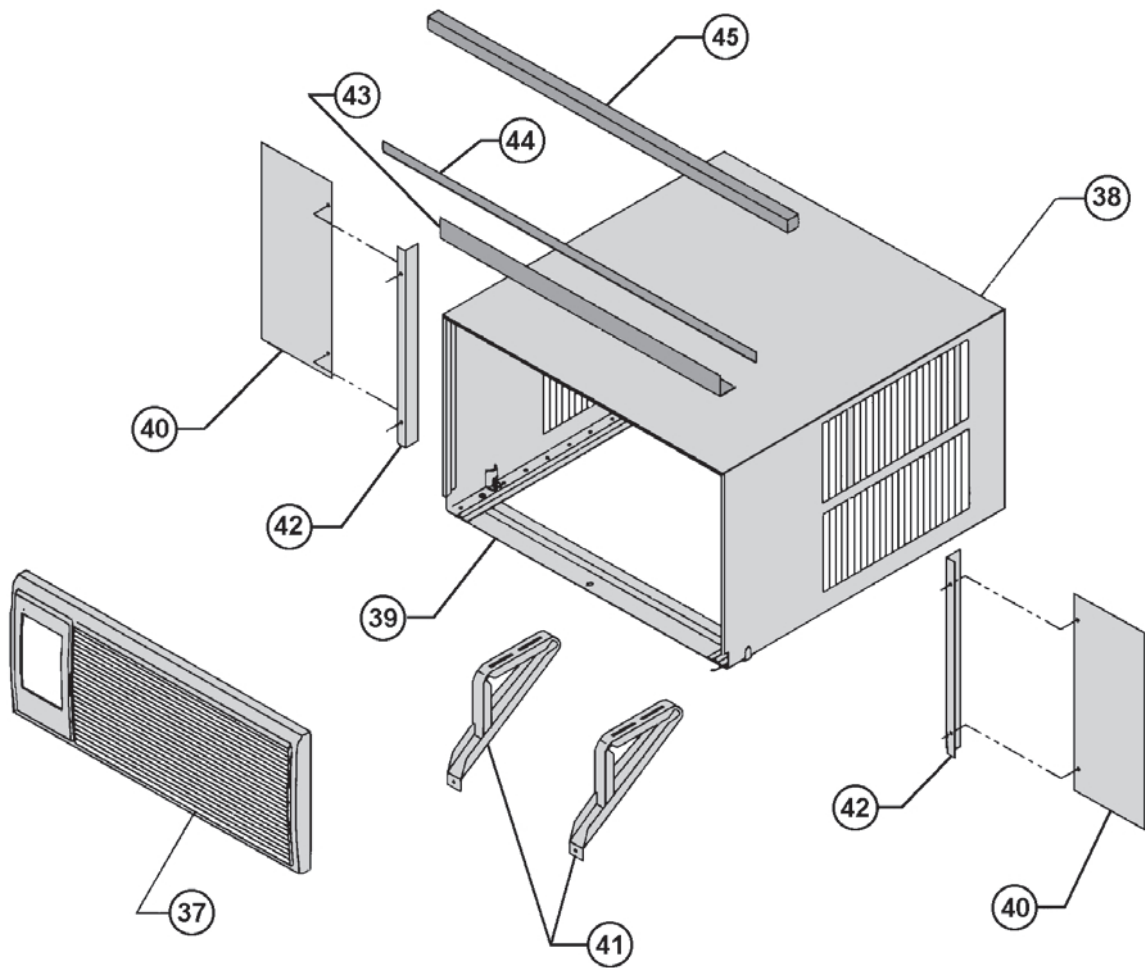
* PARTS NOT SHOWN

**"L" Series
Large Chassis
Room Air Conditioner Section**

LARGE CHASSIS "L" SERIES CHASSIS PARTS (KL, SL, EL, & YL)



LARGE CHASSIS "L" SERIES CABINET & MOUNTING PARTS (KL, SL, EL, & YL)



LARGE CHASSIS "L" SERIES PARTS LIST

| REF | DESCRIPTION | PART NO# | KL 230 | | SL 230 | | | EL 230 | | YL 230 | CODE |
|-----------------------------------|----------------------|----------|------------|------------|------------|------------|-----------|------------|-----------|------------|------|
| | | | KL25J30A-1 | KL25J30A-A | SL24J30A-A | SL28J30A-D | SL35J30-A | EL24J35A-A | EL35J35-A | YL24J35A-B | |
| ELECTRICAL PARTS | | | | | | | | | | | |
| 1 | THERMOSTAT | 61822500 | 1 | 1 | 1 | 1 | 1 | | | | 120 |
| 1 | THERMOSTAT | 61822400 | | | | | | 1 | 1 | 1 | 120 |
| * | THERMOSTAT, DEF. | 61350313 | | | | | | | | 1 | 122 |
| 4 | CAPACITOR | 61080556 | 1 | | | | | | | | 150 |
| 4 | CAPACITOR | 61080551 | | | | | | | | | 150 |
| 4 | CAPACITOR | 61080557 | | | | | | | | | 150 |
| 4 | CAPACITOR | 61080533 | | | | | | 1 | | | 150 |
| 4 | CAPACITOR | 61080556 | | | | | | | | 1 | 150 |
| 4 | CAPACITOR | 61080551 | | 1 | 1 | | | 1 | | | 150 |
| 4 | CAPACITOR | 61080564 | | | | | 1 | | | | 150 |
| 4 | CAPACITOR | 61080567 | | | | 1 | | | | | 150 |
| 5 | SUPPLY CORD | 60500049 | 1 | 1 | 1 | 1 | | | | | 220 |
| 5 | SUPPLY CORD | 60500048 | | | | | | | | | 220 |
| 5 | SUPPLY CORD | 60500055 | | | | | 1 | 1 | 1 | 1 | 220 |
| 3 | RESISTOR BLOCK | 61808001 | 1 | 1 | 1 | 1 | 1 | 1 | 1 | 1 | 200 |
| 6 | SWITCH | 60607203 | 1 | 1 | 1 | 1 | 1 | | | | 130 |
| 6 | SWITCH | 60607204 | | | | | | 1 | 1 | 1 | 130 |
| 7 | SWITCH (YES - NO) | 61806102 | 1 | 1 | 1 | 1 | 1 | 1 | 1 | 1 | 132 |
| 8 | FAN MOTOR | 61871485 | 1 | | | | | | | | 110 |
| 8 | FAN MOTOR | 61871434 | | | | | 1 | | | | 110 |
| 8 | FAN MOTOR | 61871435 | | 1 | 1 | 1 | | 1 | 1 | 1 | 110 |
| * | SOLENOID COIL | 25063600 | | | | | | | | 1 | 240 |
| 8A | HEATER | 61878602 | | | | | | 1 | 1 | 1 | 210 |
| REFRIGERATION SYSTEM PARTS | | | | | | | | | | | |
| 9 | COMPRESSOR | 61193547 | 1 | | | | | | | 1 | 600 |
| 9 | COMPRESSOR | 61716606 | | 1 | 1 | | | 1 | | | 600 |
| 9 | COMPRESSOR | 61716632 | | | | | 1 | | | | 600 |
| 9 | COMPRESSOR | 61716634 | | | | 1 | | | | | 600 |
| 9 | COMPRESSOR | 61818702 | | | | | | 1 | | | 600 |
| 10 | EVAPORATOR COIL | 62050001 | | | | 1 | 1 | | | | 400 |
| 10 | EVAPORATOR COIL | 61850003 | 1 | 1 | 1 | | | 1 | | 1 | 400 |
| 10 | EVAPORATOR COIL | 61850004 | | | | | | | 1 | | 400 |
| 11 | CONDENSER COIL | 61850209 | 1 | 1 | 1 | 1 | 1 | 1 | | | 410 |
| 11 | CONDENSER COIL | 61850201 | | | | | | | | | 410 |
| 11 | CONDENSER COIL | 61850202 | | | | | | | 1 | | 410 |
| 11 | CONDENSER COIL | 61850203 | | | | | | | | 1 | 410 |
| * | DRIER, LIQUID | 60308101 | 1 | 1 | 1 | 1 | 1 | 1 | 1 | | 480 |
| * | DRIER, SUCTION | 61828201 | | | | | | | | 1 | 480 |
| * | CHECK VALVE | 61824400 | | | | | | | | 1 | 510 |
| * | REVERSING VALVE | 25018700 | | | | | | | | 1 | 500 |
| * | CAPILLARY TUBE (HTG) | 01389985 | | | | 2 | | | | 1 | 471 |
| * | CAPILLARY TUBE | 01390005 | | | | | 2 | | | | 471 |
| * | CAPILLARY TUBE (CLG) | 03760518 | | | | | | | | 1 | 471 |
| * | CAPILLARY TUBE | 03760473 | 2 | 2 | 2 | | | 2 | | | 471 |
| * | CAPILLARY TUBE | 03760520 | | | | | | | | | 471 |
| * | CAPILLARY TUBE | 03760545 | | | | | | | 5 | | 471 |

* PARTS NOT SHOWN

LARGE CHASSIS "L" SERIES PARTS LIST

| REF | DESCRIPTION | PART NO# | KL 230 | | SL 230 | | | EL 230 | | YL 230 | CODE |
|-----|-----------------------|----------|------------|------------|------------|------------|-----------|------------|-----------|------------|------|
| | | | KL25J30A-1 | KL25J30A-A | SL24J30A-A | SL28J30A-D | SL35J30-A | EL24J35A-A | EL35J35-A | YL24J35A-B | |
| 12 | SHROUD, CONDENSER | 61807700 | 1 | 1 | 1 | 1 | 1 | 1 | 1 | 1 | 720 |
| * | SHROUD, W/SUMP LRG | 61807701 | | 1 | 1 | 1 | 1 | 1 | | | 720 |
| 13 | FAN BLADE, COND. | 60542001 | 1 | 1 | 1 | 1 | 1 | 1 | 1 | 1 | 710 |
| 14 | BLOWER WHEEL, EVAP. | 60610602 | 1 | 1 | 1 | 1 | | 1 | | 1 | 700 |
| 14 | BLOWER WHEEL, EVAP. | 60610609 | | | | | 1 | | 1 | | 700 |
| 15 | BRACE, COND.SHROUD | 61810000 | 3 | 3 | 3 | 3 | 3 | 3 | 3 | 3 | 722 |
| 16 | SCROLL | 61818100 | 1 | 1 | 1 | 1 | 1 | 1 | 1 | 1 | 743 |
| 17 | BLOWER FRONT | 61817800 | 1 | 1 | 1 | 1 | 1 | 1 | 1 | 1 | 742 |
| * | INSULATION, L\IS LRG | 61817600 | 1 | 1 | 1 | 1 | 1 | 1 | | | 781 |
| * | INSULATION, L\IS | 61818300 | 1 | 1 | 1 | 1 | 1 | 1 | 1 | 1 | 781 |
| 20 | INSULATION, TOP | 61818201 | 1 | 1 | 1 | 1 | 1 | 1 | 1 | 1 | 781 |
| * | INSULATION, INNERWALL | 61816902 | 1 | 1 | 1 | 1 | 1 | 1 | 1 | 1 | 781 |
| 18 | INNER WALL | 61907100 | 1 | 1 | 1 | 1 | 1 | 1 | 1 | 1 | 777 |
| 19 | TOP COVER | 61906600 | 1 | 1 | 1 | 1 | 1 | 1 | 1 | 1 | 746 |
| 21 | DECK | 61818000 | 1 | 1 | 1 | 1 | 1 | 1 | 1 | 1 | 745 |
| 22 | AIR FOIL | 61820201 | 1 | 1 | 1 | 1 | 1 | 1 | 1 | 1 | 744 |
| 24 | SHIELD, BOTTOM | 61813501 | | | | | | 1 | | 1 | 999 |
| 24 | SHIELD, BOTTOM | 61813502 | | | | | | | 1 | | 999 |
| 26 | SHIELD, SIDE | 61821900 | | | | | | 1 | 1 | 1 | 999 |
| 25 | BRACKET, HTR | 61818900 | | | | | | 1 | 1 | 1 | 999 |
| 27 | BASE PAN | 61807101 | 1 | | 1 | 1 | 1 | | | | 730 |
| 27 | BASE PAN | 61807104 | | 1 | | | | | | | 730 |
| 27 | BASE PAN | 61809501 | | | | | | | 1 | 1 | 730 |
| 27 | BASE PAN | 61809503 | | | | | | 1 | | | 730 |
| * | BELLOWS, DRAIN VALVE | 60179900 | | | | | | 1 | 1 | 1 | 801 |
| * | DRAIN PAN, EVAP. | 61807400 | 1 | 1 | 1 | 1 | 1 | 1 | 1 | 1 | 840 |
| * | GRILLE, REAR | 61818802 | 1 | 1 | 1 | 1 | 1 | 1 | 1 | 1 | 771 |
| 28 | DOOR, SLIDE ASY | 61821500 | 1 | 1 | 1 | 1 | 1 | 1 | 1 | 1 | 810 |
| * | CONNECTOR SLIDE ASY | 61814801 | 1 | 1 | 1 | 1 | 1 | 1 | 1 | 1 | 811 |
| * | WIRE CLIP, SLIDE ASSY | 60301800 | 2 | 2 | 2 | 2 | 2 | 2 | 2 | 2 | 999 |
| 29 | PANEL, CTRL. MOUNT | 61806900 | 1 | 1 | 1 | 1 | 1 | 1 | 1 | 1 | 999 |
| * | PANEL, L\IS | 61906800 | 1 | 1 | 1 | | 1 | 1 | 1 | 1 | 999 |
| * | PANEL, L\IS | 61906802 | | | | 1 | | | | | 999 |
| * | PANEL, L\IS LRG | 61937000 | | 1 | 1 | 1 | 1 | 1 | | | 999 |
| 31 | PARTITION, CTRL. BOX | 61807000 | 1 | 1 | 1 | 1 | 1 | | | | 999 |
| 31 | PARTITION, CTRL. BOX | 61807001 | | | | | | 1 | 1 | 1 | 999 |
| 30 | BRACKET, CAP.MOUNT | 61820400 | 1 | 1 | 1 | 1 | 1 | 1 | 1 | 1 | 999 |
| * | STRAP, CAP. | 61820702 | | | | 1 | 1 | | | | 999 |
| * | STRAP, CAP. | 61820700 | 1 | 1 | 1 | | | 1 | 1 | 1 | 999 |
| 32 | DECORATIVE PANEL | 61822600 | 1 | 1 | 1 | 1 | 1 | | | | 999 |
| 32 | DECORATIVE PANEL | 61823300 | | | | | | 1 | 1 | 1 | 999 |
| 33 | KNOBS, CRTL. | 61493905 | 2 | 2 | 2 | 2 | 2 | 2 | 2 | 2 | 761 |
| * | BRACKET,RESISTOR BLK | 61820600 | 1 | 1 | 1 | 1 | 1 | 1 | 1 | 1 | 999 |
| 23 | MOUNT, FAN MOTOR | 61806700 | 1 | 1 | 1 | 1 | 1 | 1 | 1 | 1 | 900 |
| * | HARNESS, FAN MOTOR | 61820800 | 1 | 1 | 1 | 1 | 1 | 1 | 1 | 1 | 999 |
| * | HOLDER, AIR FILTER | 61823000 | 2 | 2 | 2 | 2 | 2 | 2 | 2 | 2 | 756 |
| * | FILTER, AIR | 60865810 | 1 | 1 | 1 | 1 | 1 | 1 | 1 | 1 | 754 |
| * | CLAMP, SUPPLY CORD | 91500301 | 1 | 1 | 1 | 1 | | | | | 999 |
| * | CLAMP, SUPPLY CORD | 91500302 | | | | 1 | | 1 | 1 | 1 | 999 |
| 34 | GROMMET, COMP. | 01150934 | 3 | 3 | 3 | 3 | 3 | 3 | 3 | 3 | 790 |
| 35 | SCREW, COMP. | 91400400 | 3 | 3 | 3 | 3 | 3 | 3 | 3 | 3 | 999 |
| * | RETAINER, CHASSIS | 61826400 | 1 | 1 | 1 | 1 | 1 | 1 | 1 | 1 | 999 |
| * | COUNTER WEIGHT | 61715800 | 2 | 2 | 2 | 2 | 2 | 2 | 2 | 2 | 999 |
| * | GROMMET, SUCTION L.N. | 61807601 | 1 | 1 | 1 | 1 | 1 | 1 | 1 | 1 | 999 |

* PARTS NOT SHOWN

LARGE CHASSIS "L" SERIES PARTS LIST

| REF | DESCRIPTION | PART NO# | KL 230 | | SL 230 | | | EL 230 | | YL 230 | CODE |
|-----------------------------|----------------------|----------|------------|------------|------------|------------|-----------|------------|-----------|------------|------|
| | | | KL25J30A-1 | KL25J30A-A | SL24J30A-A | SL28J30A-D | SL35J30-A | EL24J35A-A | EL35J35-A | YL24J35A-B | |
| 36 | PLENIUM ASLY. | 61810500 | 1 | 1 | 1 | 1 | 1 | 1 | 1 | 1 | 753 |
| 37 | GRILLE, INTAKE | 61810400 | 1 | 1 | 1 | 1 | 1 | 1 | 1 | 1 | 772 |
| * | LATCH, GRILLEINTAKE | 61819900 | 2 | 2 | 2 | 2 | 2 | 2 | 2 | 2 | 772 |
| 38 | OUTER SHELL | 61825702 | 1 | 1 | 1 | 1 | 1 | 1 | 1 | 1 | 770 |
| 39 | SILL PLATE | 61808401 | 1 | 1 | 1 | 1 | 1 | 1 | 1 | 1 | 999 |
| * | CHASSIS GUIDE, SHELL | 61819601 | 2 | 2 | 2 | 2 | 2 | 2 | 2 | 2 | 999 |
| * | CHASSIS RETAINER | 61826400 | 1 | 1 | 1 | 1 | 1 | 1 | 1 | 1 | 999 |
| * | FRIEDRICH SCRIPT | 60169105 | 1 | 1 | 1 | 1 | 1 | 1 | 1 | 1 | 999 |
| * | PUSHNUTS, SCRIPT | 91002900 | 2 | 2 | 2 | 2 | 2 | 2 | 2 | 2 | 999 |
| * | ACCESSORY PKGE. | 61105003 | 1 | 1 | 1 | 1 | 1 | | | | 999 |
| 40 | WINGBOARD | 60294410 | 1 | 1 | 1 | 1 | 1 | | | | 999 |
| * | HARDWARE (SCREWS) | 60846016 | 1 | 1 | 1 | 1 | 1 | | | | 999 |
| * | HARDWARE (SCREWS) | 60846017 | | | | | | 1 | 1 | 1 | 999 |
| 45 | GASKET, CHASSIS | 61717301 | 1 | 1 | 1 | 1 | 1 | 1 | 1 | 1 | 780 |
| 45 | GASKET, WINDOW | 60073300 | 1 | 1 | 1 | 1 | 1 | | | | 780 |
| 44 | GASKET, VINYL | 60610303 | 1 | 1 | 1 | 1 | 1 | | | | 780 |
| * | CARTON, SHIPPING | 61839806 | 1 | 1 | 1 | 1 | 1 | 1 | 1 | 1 | 999 |
| * | PAD, SHIPPING TOP | 61839601 | 1 | 1 | 1 | 1 | 1 | 1 | 1 | 1 | 999 |
| * | PAD, FRONT SUPPORT | 61839701 | 1 | 1 | 1 | 1 | 1 | 1 | 1 | 1 | 999 |
| * | PAD, SHIPPING | 61839501 | 1 | 1 | 1 | 1 | 1 | 1 | 1 | 1 | 999 |
| * | SUPPORT, SHIPPING | 61839901 | 2 | 2 | 2 | 2 | 2 | 2 | 2 | 2 | 999 |
| * | SPACER, SHIPPING | 61915100 | 2 | 2 | 2 | 2 | 2 | 2 | 2 | 2 | 999 |
| 41 | BRACKET, SUPPORT | 61109503 | 2 | 2 | 2 | 2 | 2 | | | | 999 |
| 43 | ANGLE, TOP SUPPORT | 61819703 | 1 | 1 | 1 | 1 | 1 | | | | 999 |
| 42 | ANGLE, WINGBOARDS | 61819805 | 2 | 2 | 2 | 2 | 2 | | | | 999 |
| OPTIONAL ACCESSORIES | | | | | | | | | | | |
| * | ACCESSORY PKGE. | WIKL | | | | | | 1 | 1 | 1 | |
| * | DRAIN KIT, DC-2 | 01900235 | 1 | 1 | 1 | 1 | 1 | 1 | 1 | 1 | |
| * | START ASSIST KIT | 61008903 | 1 | 1 | 1 | 1 | 1 | 1 | 1 | 1 | |
| * | HARD START KIT | 61840900 | | | | | 1 | 1 | 1 | | |
| * | PARTS MANUAL | 92013200 | 1 | 1 | 1 | 1 | 1 | 1 | 1 | 1 | |
| * | SERVICE MANUAL | 92013100 | 1 | 1 | 1 | 1 | 1 | 1 | 1 | 1 | |
| * | INSTALLATION BOOK | 92003601 | 1 | 1 | 1 | 1 | 1 | 1 | 1 | 1 | |
| * | OPERATION BOOK | 92000505 | 1 | 1 | | | | | | | |
| * | OPERATION BOOK | 92000202 | | | 1 | 1 | 1 | | | | |
| * | OPERATION BOOK | 92000304 | | | | | | 1 | 1 | 1 | |

* PARTS NOT SHOWN

**"WM" Series
115 / 230 Volt
WallMaster Chassis
Room Air Conditioner Section**

"WE," "WS," & "WY" SERIES CHASSIS PARTS



"WE," "WS," & "WY" SERIES DECORATIVE FRONT



"WM" SERIES WALLMASTER PARTS LIST

| REF | DESCRIPTION | PART NO# | 115V | | | | 230V | 230V | 230V | 230V | 230V | 230V | 230V | CODE |
|-----------------------------------|---------------------|----------|------------|------------|----------|------------|------------|------------|----------|------------|------------|----------|------------|------|
| | | | WS07A10E-B | WS07A10E-C | WS10A10A | WS12A10E-A | WS09A30E-B | WS12A30E-A | WS15A30A | WE09A33E-B | WE12A33E-A | WE15A33A | WY09A33E-A | |
| 1 | THERMOSTAT | 61822501 | 1 | 1 | 1 | 1 | 1 | 1 | | | | | 120 | |
| 1 | THERMOSTAT | 61822401 | | | | | | | 1 | 1 | 1 | 1 | 120 | |
| 2 | THERMOSTAT, DEF. | 61350313 | | | | | | | | | 1 | 1 | 122 | |
| 3 | OVERLOAD | 61764533 | 1 | | | | | | | | | | 190 | |
| 3 | OVERLOAD | 61764516 | | 1 | | | | | | | | | 190 | |
| 3 | OVERLOAD | 61764519 | | | 1 | | | | | | | | 190 | |
| 3 | OVERLOAD | 61764521 | | | | | 1 | | | 1 | | | 190 | |
| 3 | OVERLOAD | 61764532 | | | | | | 1 | | | 1 | | 190 | |
| 3 | OVERLOAD | 61764535 | | | | 1 | | | | | | | 190 | |
| 3 | OVERLOAD | 61764528 | | | | 1 | | | | | | | 190 | |
| 3 | OVERLOAD | 61578001 | | | | | | | 1 | | | 1 | 190 | |
| 3 | OVERLOAD | 60364596 | | | | | | | | | | | 190 | |
| 3 | OVERLOAD | 60364597 | | | | | | | | | | | 190 | |
| 4 | CAPACITOR | 61080554 | 1 | | | | | | | | | | 150 | |
| 4 | CAPACITOR | 61080535 | | 1 | 1 | | | | | | | | 150 | |
| 4 | CAPACITOR | 61080539 | | | | | | | | | | | 150 | |
| 4 | CAPACITOR | 61080562 | | | | 1 | | | | | | | 150 | |
| 4 | CAPACITOR | 61080540 | | | | | 1 | | | | | 1 | 150 | |
| 4 | CAPACITOR | 61080565 | | | | | | 1 | 1 | | 1 | 1 | 150 | |
| 5 | SUPPLY CORD | 60500060 | 1 | 1 | 1 | | | | | | | | 220 | |
| 5 | SUPPLY CORD | 60500061 | | | | 1 | | | | | | | 220 | |
| 5 | SUPPLY CORD | 60500062 | | | | | 1 | 1 | 1 | | | | 220 | |
| 5 | SUPPLY CORD | 60500063 | | | | | | | | 1 | 1 | 1 | 220 | |
| 6 | SWITCH | 60607203 | 1 | 1 | 1 | 1 | 1 | 1 | | | | | 130 | |
| 6 | SWITCH | 60607204 | | | | | | | | 1 | 1 | 1 | 130 | |
| 7 | FAN MOTOR | 61071453 | 1 | 1 | 1 | | | | | | | | 110 | |
| 7 | FAN MOTOR | 61071452 | | | | 1 | | | | | | | 110 | |
| 7 | FAN MOTOR | 61071454 | | | | | 1 | | | | | 1 | 110 | |
| 7 | FAN MOTOR | 61071451 | | | | | | 1 | 1 | | 1 | 1 | 110 | |
| 8 | HEATER | 61580802 | | | | | | | | 1 | 1 | 1 | 210 | |
| 9 | COIL, SOLENOID | 21058643 | | | | | | | | | | 1 | 240 | |
| REFRIGERATION SYSTEM PARTS | | | | | | | | | | | | | | |
| 10 | REVERSING VALVE | 25018300 | | | | | | | | | | 1 | 1 | |
| 11 | CHECK VALVE | 61824400 | | | | | | | | | | 1 | 1 | |
| * | FILTER DRIER | 60308101 | 1 | 1 | 1 | 1 | 1 | 1 | 1 | 1 | 1 | 1 | 480 | |
| * | SUCTION DRIER | 61828200 | 1 | 1 | 1 | 1 | 1 | 1 | 1 | 1 | 1 | 1 | 480 | |
| 12 | COMPRESSOR | 61562805 | | | | | | | 1 | | | | 600 | |
| 12 | COMPRESSOR | 61562803 | | | | | | | | | | 1 | 600 | |
| 12 | COMPRESSOR | 61562804 | | | | | | 1 | | | | | 600 | |
| 12 | COMPRESSOR | 61716638 | | | | | 1 | | | 1 | | | 600 | |
| 12 | COMPRESSOR | 61716639 | 1 | | | | | | | | | | 600 | |
| 12 | COMPRESSOR | 61716605 | | 1 | | | | | | | | | 600 | |
| 12 | COMPRESSOR | 61716622 | | | 1 | | | | | | | | 600 | |
| 12 | COMPRESSOR | 61716628 | | | | | | | | 1 | | | 600 | |
| 12 | COMPRESSOR | 61716631 | | | | | | | 1 | | 1 | | 600 | |
| 12 | COMPRESSOR | 61716633 | | | | 1 | | 1 | | | | | 600 | |
| 13 | EVAPORATOR COIL | 61600221 | 1 | 1 | | | | | | | | | 400 | |
| 13 | EVAPORATOR COIL | 61600218 | | | | | | | | | | 1 | 400 | |
| 13 | EVAPORATOR COIL | 61600219 | | | | | | | | 1 | | | 400 | |
| 13 | EVAPORATOR COIL | 61600246 | | | | | | | | | | | 400 | |
| 13 | EVAPORATOR COIL | 62050000 | | | | 1 | | | 1 | | 1 | | 400 | |
| 13 | EVAPORATOR COIL | 62050002 | | | 1 | | 1 | | | 1 | | | 400 | |
| 14 | CONDENSER COIL | 61850309 | 1 | | | | | | | | | | 410 | |
| 14 | CONDENSER COIL | 61850308 | | | 1 | | | 1 | | | 1 | | 410 | |
| 14 | CONDENSER COIL | 61850210 | | | | | | | | | | | 410 | |
| 14 | CONDENSER COIL | 61600512 | | | | | | | | | | 1 | 410 | |
| 114 | CONDENSER COIL | 61600513 | | | | | | | | | | | 410 | |
| 14 | CONDENSER COIL | 62050200 | | | | 1 | | | | | 1 | | 410 | |
| 14 | CONDENSER COIL | 62050202 | | 1 | | | 1 | | | 1 | | | 410 | |
| 15 | CAPILLARY TUBE | 01389903 | | | 1 | | | | | | | | 471 | |
| 15 | CAPILLARY TUBE | 03760518 | | | | | 1 | | | | | | 471 | |
| 15 | CAPILLARY TUBE | 03760545 | | | | 1 | | | | | | | 471 | |
| 15 | CAPILLARY TUBE | 03760520 | | | | | | | | | | | 471 | |
| 15 | CAPILLARY TUBE | 03760550 | | | | | | | | | | | 471 | |
| 15 | CAPILLARY TUBE(HTG) | 03760543 | 1 | 1 | | | | | 2 | | 2 | 1 | 471 | |
| 15 | CAPILLARY TUBE(CLG) | 03760547 | | | | | | 1 | | | 1 | | 471 | |
| 15 | CAPILLARY TUBE(HTG) | 03760482 | | | | | | | | | | | 471 | |
| 15 | CAPILLARY TUBE(CLG) | 03760558 | | | | | | | | | | 1 | 471 | |

* PARTS NOT SHOWN

"WM" SERIES WALLMASTER PARTS LIST

| REF | DESCRIPTION | PART NO# | 115V | | | | 230V | 230V | 230V | 230V | 230V | 230V | 230V | 230V | CODE |
|-----|-----------------------|----------|------------|------------|----------|------------|------------|------------|----------|------------|------------|----------|------------|------------|------|
| | | | WS07A10E-B | WS07A10E-C | WS10A10A | WS12A10E-A | WS09A30E-B | WS12A30E-A | WS15A30A | WE09A33E-B | WE12A33E-A | WE15A33A | WY09A33E-A | WY12A33F-A | |
| 16 | SHROUD, CONDENSER | 61602700 | 1 | 1 | 1 | 1 | 1 | 1 | 1 | 1 | 1 | 1 | 1 | 720 | |
| 17 | FAN BLADE, COND. | 60542002 | 1 | 1 | 1 | 1 | 1 | 1 | 1 | 1 | 1 | 1 | 1 | 710 | |
| 18 | BLOWER WHEEL, EVAP. | 60610604 | 1 | 1 | | 1 | | | | | | | | 700 | |
| 18 | BLOWER WHEEL, EVAP. | 60415205 | | | 1 | | 1 | 1 | | | | | | 700 | |
| 18 | BLOWER WHEEL, EVAP. | 60610611 | | | | 1 | | | | | | | | 700 | |
| 18 | BLOWER WHEEL, EVAP. | 60415204 | | | | | | 1 | | | 1 | | | 700 | |
| 18 | BLOWER WHEEL, EVAP. | 60415203 | | | | | | | 1 | 1 | | 1 | 1 | 700 | |
| 19 | BLOWER FRONT | 61657100 | 1 | 1 | | 1 | | | | | | | | 742 | |
| 19 | BLOWER FRONT | 61603700 | | | 1 | | 1 | 1 | 1 | | | | | 742 | |
| 19 | BLOWER FRONT | 61612400 | | | | | | | 1 | 1 | 1 | 1 | 1 | 742 | |
| 20 | INNER WALL | 61605100 | 1 | 1 | 1 | 1 | 1 | 1 | 1 | | | | 1 | 777 | |
| 20 | INNER WALL | 61605101 | | | | | | | 1 | 1 | 1 | 1 | 1 | 777 | |
| 21 | BLOWER WRAPPER | 61022507 | 1 | 1 | 1 | 1 | 1 | 1 | 1 | 1 | 1 | 1 | 1 | 741 | |
| 22 | COVER, BULKHEAD | 61605800 | 1 | 1 | 1 | 1 | 1 | 1 | 1 | 1 | 1 | 1 | 1 | 746 | |
| 23 | DECK ASSLY | 61605600 | 1 | 1 | 1 | 1 | 1 | 1 | 1 | 1 | 1 | 1 | 1 | 745 | |
| 24 | COVER,SHROUD & BRACE | 61604400 | 1 | 1 | 1 | 1 | 1 | 1 | 1 | 1 | 1 | 1 | 1 | 999 | |
| 25 | BASE PAN ASLY. | 61606201 | 1 | | | | | | | | | | | 730 | |
| 25 | BASE PAN ASLY. | 61606203 | | 1 | 1 | 1 | 1 | 1 | 1 | | | | | 730 | |
| 25 | BASE PAN ASLY. | 61606205 | | | | | | | | 1 | 1 | 1 | 1 | 730 | |
| 26 | BELLOWS,DRAIN V ALVE | 60179900 | | | | | | | 1 | 1 | 1 | 1 | 1 | 801 | |
| 27 | DRAIN PAN, EVAP. | 61602600 | 1 | 1 | 1 | 1 | 1 | 1 | 1 | 1 | 1 | 1 | 1 | 840 | |
| 28 | DRAIN GASKET | 61603900 | 1 | 1 | 1 | 1 | 1 | 1 | 1 | 1 | 1 | 1 | 1 | 800 | |
| 29 | DRAIN PLATE | 61604000 | 1 | 1 | 1 | 1 | 1 | 1 | 1 | 1 | 1 | 1 | 1 | 800 | |
| 30 | RETAINER CUP ,FAN MTR | 60640600 | 3 | 1 | 3 | 3 | 3 | 3 | 3 | 3 | 3 | 3 | 3 | 771 | |
| 331 | GROMMET,FAN MTR | 60640500 | 3 | 3 | 3 | 3 | 3 | 3 | 3 | 3 | 3 | 3 | 3 | 790 | |
| 32 | NUT,FAN MTR | 91003000 | 3 | 3 | 3 | 3 | 3 | 3 | 3 | 3 | 3 | 3 | 3 | 999 | |
| 33 | DOOR, EXHAUST ASLY | 61358301 | 1 | 1 | 1 | 1 | 1 | 1 | 1 | 1 | 1 | 1 | 1 | 810 | |
| 34 | DOOR, SPRING | 61613600 | 1 | 1 | 1 | 1 | 1 | 1 | 1 | 1 | 1 | 1 | 1 | 810 | |
| 35 | LINK, EXHAUST DOOR | 61358401 | 1 | 1 | 1 | 1 | 1 | 1 | 1 | 1 | 1 | 1 | 1 | 810 | |
| 36 | HINGE PIN | 61610400 | 1 | 1 | 1 | 1 | 1 | 1 | 1 | 1 | 1 | 1 | 1 | 810 | |
| 37 | SLIDE, EXHAUST DOOR | 61656201 | 1 | 1 | 1 | 1 | 1 | 1 | 1 | 1 | 1 | 1 | 1 | 810 | |
| 38 | CHANNEL,EXHAUST DOOR | 61656200 | 1 | 1 | 1 | 1 | 1 | 1 | 1 | 1 | 1 | 1 | 1 | 810 | |
| 39 | PANEL, CTRL. MOUNT | 61757800 | 1 | 1 | 1 | 1 | 1 | 1 | 1 | 1 | 1 | 1 | 1 | 999 | |
| 40 | PANEL, L/S | 61604600 | 1 | 1 | 1 | 1 | 1 | 1 | 1 | 1 | 1 | 1 | 1 | 999 | |
| 41 | PANEL, CTRL. BOX | 61605404 | 1 | 1 | 1 | 1 | 1 | 1 | 1 | 1 | 1 | 1 | 1 | 999 | |
| 42 | FRONT PANEL | 61610100 | 1 | 1 | 1 | 1 | 1 | 1 | 1 | 1 | 1 | 1 | 1 | 760 | |
| 43 | DECORATIVE PANEL | 61750102 | 1 | 1 | 1 | 1 | 1 | 1 | 1 | | | | | 760 | |
| 43 | DECORATIVE PANEL | 61750202 | | | | | | | 1 | 1 | 1 | 1 | 1 | 760 | |
| 44 | KNOBS, CTRL. | 61911600 | 2 | 2 | 2 | 2 | 2 | 2 | 2 | 2 | 2 | 2 | 2 | 761 | |
| * | HOLDER, AIR FILTER | 60865900 | 1 | 1 | 1 | 1 | 1 | 1 | 1 | 1 | 1 | 1 | 1 | 764 | |
| 45 | HOLDER, THERMOSTAT | 61715100 | 1 | 1 | 1 | 1 | 2 | 2 | 2 | 2 | 2 | 2 | 2 | 764 | |
| 45 | FILTER, AIR | 60865805 | 1 | 1 | 1 | 1 | 1 | 1 | 1 | 1 | 1 | 1 | 1 | 754 | |
| * | FRONT, DECORATIVE | 61607002 | 1 | 1 | 1 | 1 | 1 | 1 | 1 | 1 | 1 | 1 | 1 | 750 | |
| 46 | FRAME, HOOD | 61612601 | 1 | 1 | 1 | 1 | 1 | 1 | 1 | 1 | 1 | 1 | 1 | 750 | |
| 47 | GRILLE, INTAKE | 61612703 | 1 | 1 | 1 | 1 | 1 | 1 | 1 | | | | | 750 | |
| 47 | GRILLE, INTAKE | 61612702 | | | | | | | | 1 | 1 | 1 | 1 | 750 | |
| 48 | GRILLE, EXHAUST | 61612800 | 1 | 1 | 1 | 1 | 1 | 1 | 1 | 1 | 1 | 1 | 1 | 750 | |
| 49 | LOUVER | 61612900 | 12 | 12 | 12 | 12 | 12 | 12 | 12 | 12 | 12 | 12 | 12 | 750 | |
| 50 | LOUVER, W/HANDLE | 61912901 | 2 | 2 | 2 | 2 | 2 | 2 | 2 | 2 | 2 | 2 | 2 | 750 | |
| 51 | BAR, CONNECTOR | 61613000 | 2 | 2 | 2 | 2 | 2 | 2 | 2 | 2 | 2 | 2 | 2 | 750 | |
| 52 | DOOR, CTRL. | 61613100 | 1 | 1 | 1 | 1 | 1 | 1 | 1 | 1 | 1 | 1 | 1 | 750 | |
| 53 | END CAP, GRILLE | 61613200 | 1 | 1 | 1 | 1 | 1 | 1 | 1 | 1 | 1 | 1 | 1 | 750 | |
| 54 | BUTTON, SLIDE EXHAUST | 61638900 | 1 | 1 | 1 | 1 | 1 | 1 | 1 | 1 | 1 | 1 | 1 | 999 | |
| * | BUTTON SLIDE PEARL | 61911700 | 1 | 1 | 1 | 1 | 1 | 1 | 1 | 1 | 1 | 1 | 1 | | |
| * | COUNTER WEIGHT | 61715800 | 2 | 2 | 2 | 2 | 2 | 2 | 2 | 2 | 2 | 2 | 2 | | |

* PARTS NOT SHOWN

"WM" SERIES WALLMASTER PARTS LIST

| REF | DESCRIPTION | PART NO# | 115V | | | | 230V | 230V | 230V | 230V | 230V | 230V | 230V | 230V | CODE |
|-----------------------------|---------------------|----------|------------|------------|----------|------------|------------|------------|----------|------------|------------|----------|------------|------------|------|
| | | | WS07A10E-B | WS07A10E-C | WS10A10A | WS12A10E-A | WS09A30E-B | WS12A30E-A | WS15A30A | WE09A33E-B | WE12A33E-A | WE15A33A | WY09A33E-A | WY12A33F-A | |
| * | HARDWARE, SCREWS | 60846014 | 1 | 1 | 1 | 1 | 1 | 1 | 1 | 1 | 1 | 1 | 1 | 999 | |
| * | GASKET, CHASSIS | 61717301 | 1 | 1 | 1 | 1 | 1 | 1 | 1 | 1 | 1 | 1 | 1 | 780 | |
| * | CARTON, SHIPPING | 61608401 | 1 | 1 | 1 | 1 | 1 | 1 | 1 | 1 | 1 | 1 | 1 | 999 | |
| * | CARTON, WALL SLEEVE | 61630606 | 1 | 1 | 1 | 1 | 1 | 1 | 1 | 1 | 1 | 1 | 1 | 999 | |
| * | PAD, SHIPPING | 61624604 | 1 | 1 | 1 | 1 | 1 | 1 | 1 | 1 | 1 | 1 | 1 | 999 | |
| * | INSERT, SHIPPING | 61624901 | 1 | 1 | 1 | 1 | 1 | 1 | 1 | 1 | 1 | 1 | 1 | 999 | |
| * | SUPPORT, SHIPPING | 61624701 | 1 | 1 | 1 | 1 | 1 | 1 | 1 | 1 | 1 | 1 | 1 | 999 | |
| OPTIONAL ACCESSORIES | | | | | | | | | | | | | | | |
| * | START KIT | 61008903 | 1 | 1 | 1 | 1 | 1 | 1 | 1 | 1 | 1 | 1 | 1 | 160 | |
| * | PARTS MANUAL | 92013200 | 1 | 1 | 1 | 1 | 1 | 1 | 1 | 1 | 1 | 1 | 1 | 999 | |
| * | SERVICE MANUAL | 92013100 | 1 | 1 | 1 | 1 | 1 | 1 | 1 | 1 | 1 | 1 | 1 | 999 | |
| 55 | SLEEVE (ONLY) | 61603601 | 1 | 1 | 1 | 1 | 1 | 1 | 1 | 1 | 1 | 1 | 1 | 770 | |
| 56 | INNER WEATHER PANEL | 61603200 | 1 | 1 | 1 | 1 | 1 | 1 | 1 | 1 | 1 | 1 | 1 | 999 | |
| * | GRILLE, STAMPED | 61603001 | 1 | 1 | 1 | 1 | 1 | 1 | 1 | 1 | 1 | 1 | 1 | 771 | |
| 58 | OUTER WEATHER PANEL | 61603301 | 1 | 1 | 1 | 1 | 1 | 1 | 1 | 1 | 1 | 1 | 1 | 999 | |
| * | FRIEDRICH SCRIPT | 60405804 | 1 | 1 | 1 | 1 | 1 | 1 | 1 | 1 | 1 | 1 | 1 | 999 | |

* PARTS NOT SHOWN

