

This Owner's Manual is provided and hosted by [Appliance Factory Parts](#).



Peg-Perego IGCD0517 Owner's Manual

[Shop genuine replacement parts for Peg-Perego
IGCD0517](#)



[Find Your Peg-Perego Ride On Parts - Select From 224 Models](#)

----- Manual continues below -----

Peg-Pérego



FIUS0202G40
Model Number CD 0517

USE AND CARE (USA)

EMPLEO Y MANUTENCION (E)

UTILISATION ET ENTRETIEN (F)

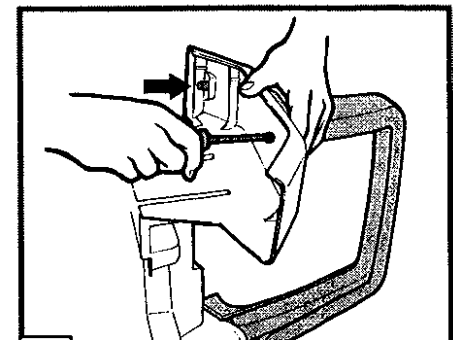
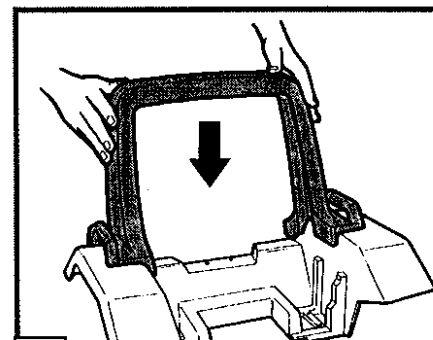
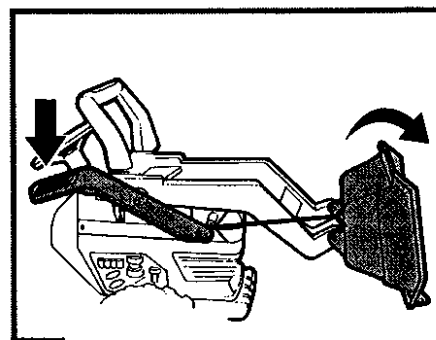
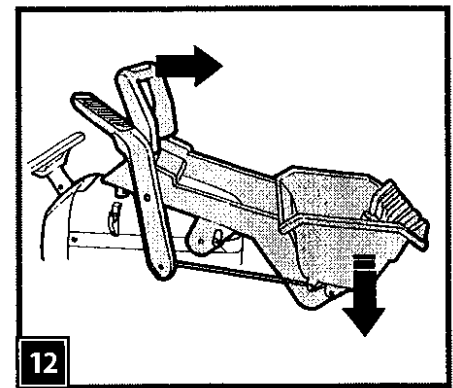
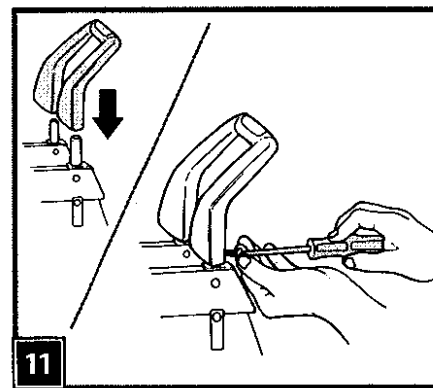
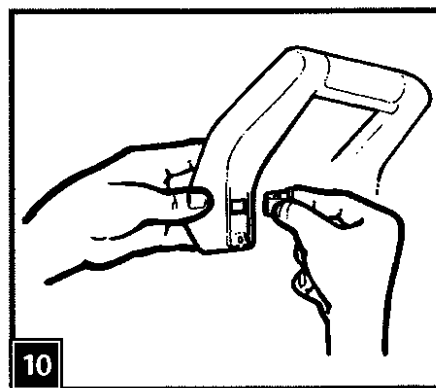
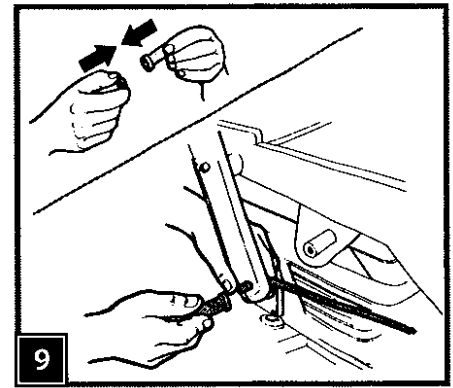
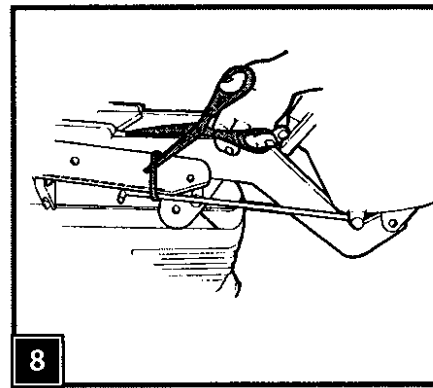
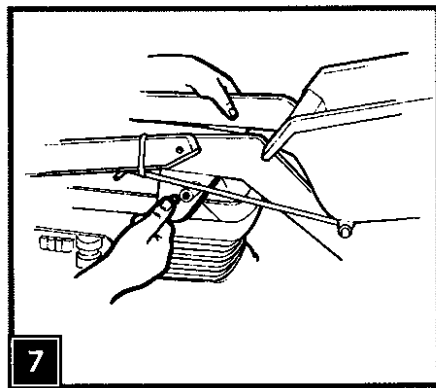
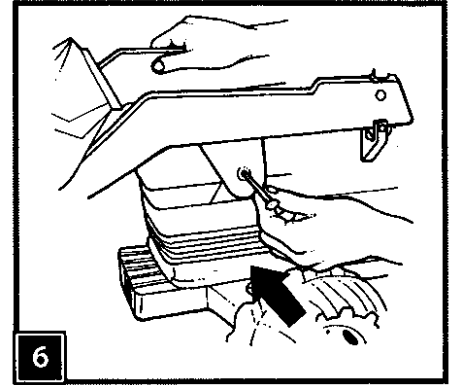
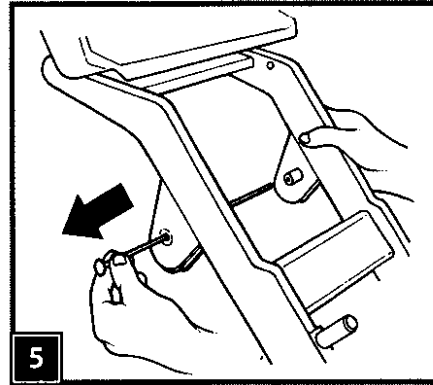
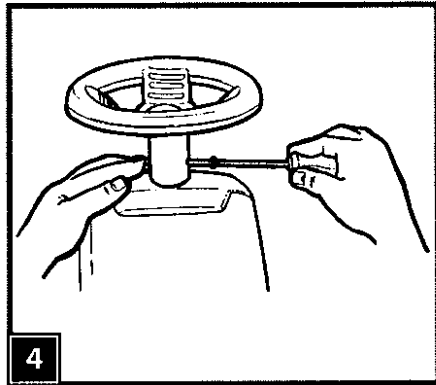
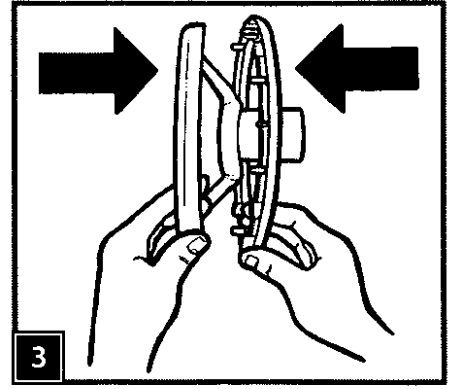
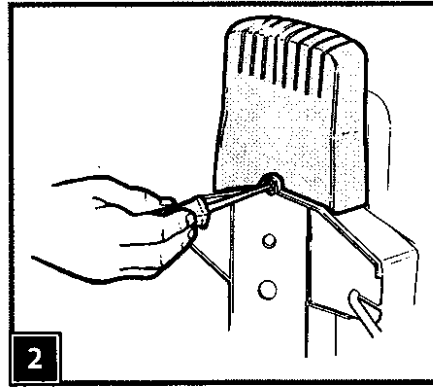
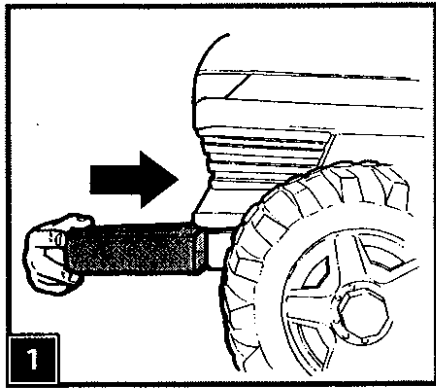


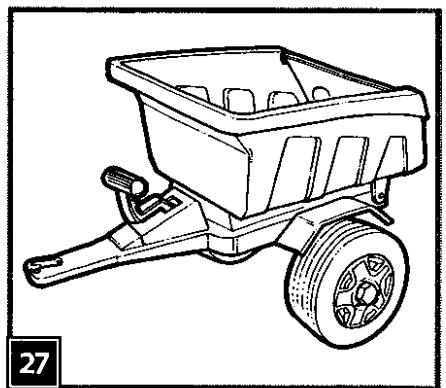
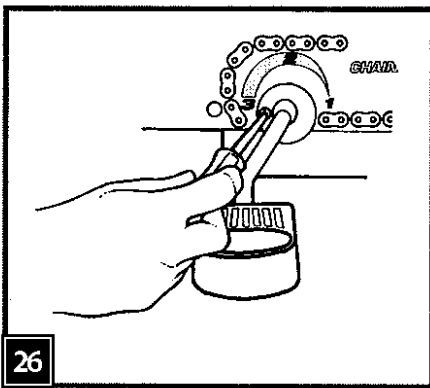
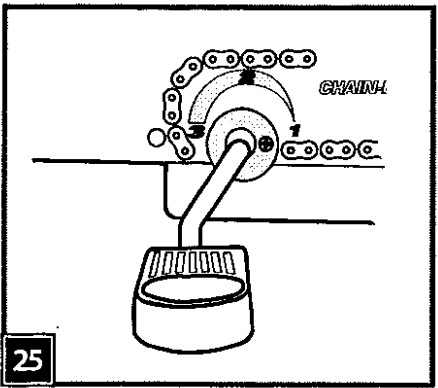
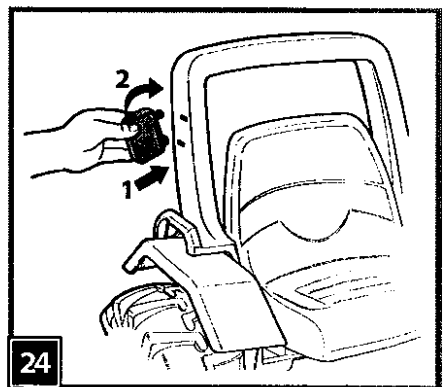
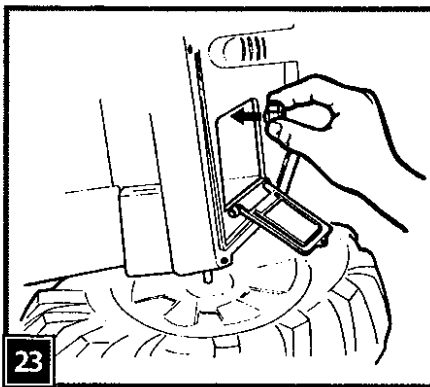
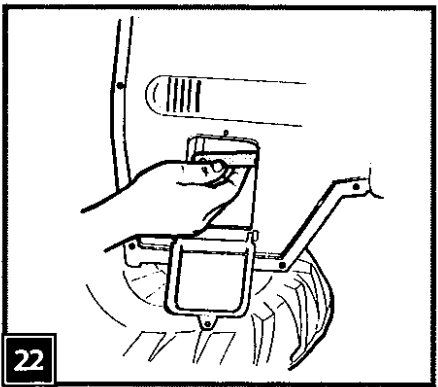
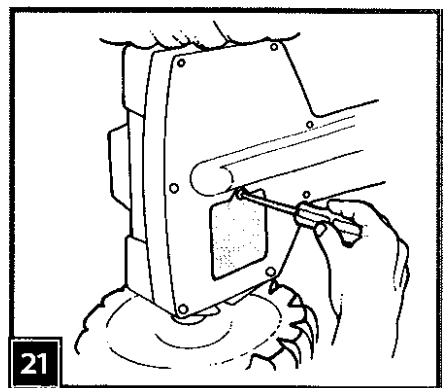
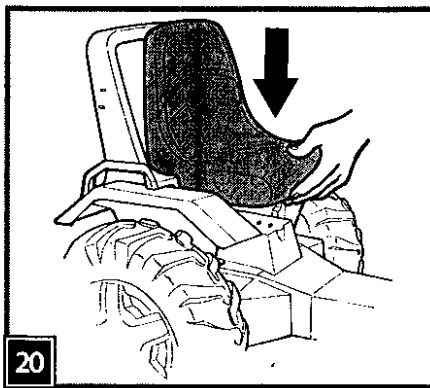
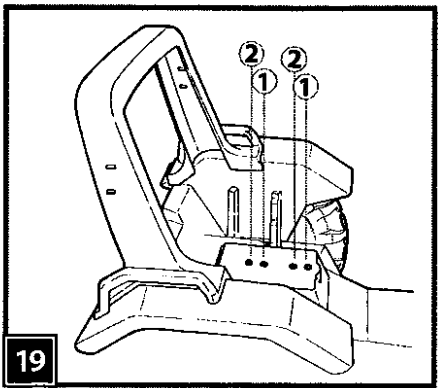
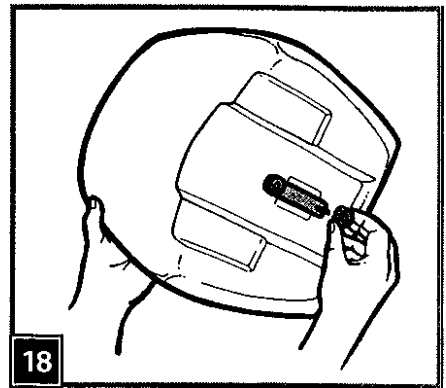
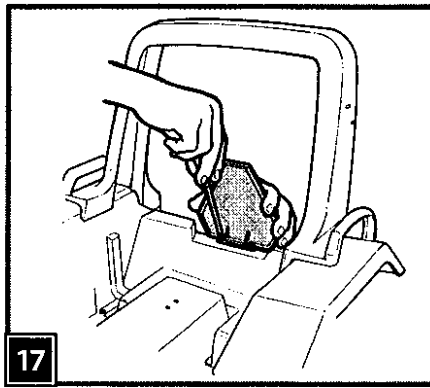
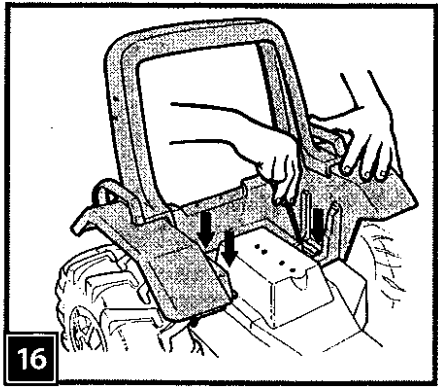
John Deere

TRACTOR WITH LOADER

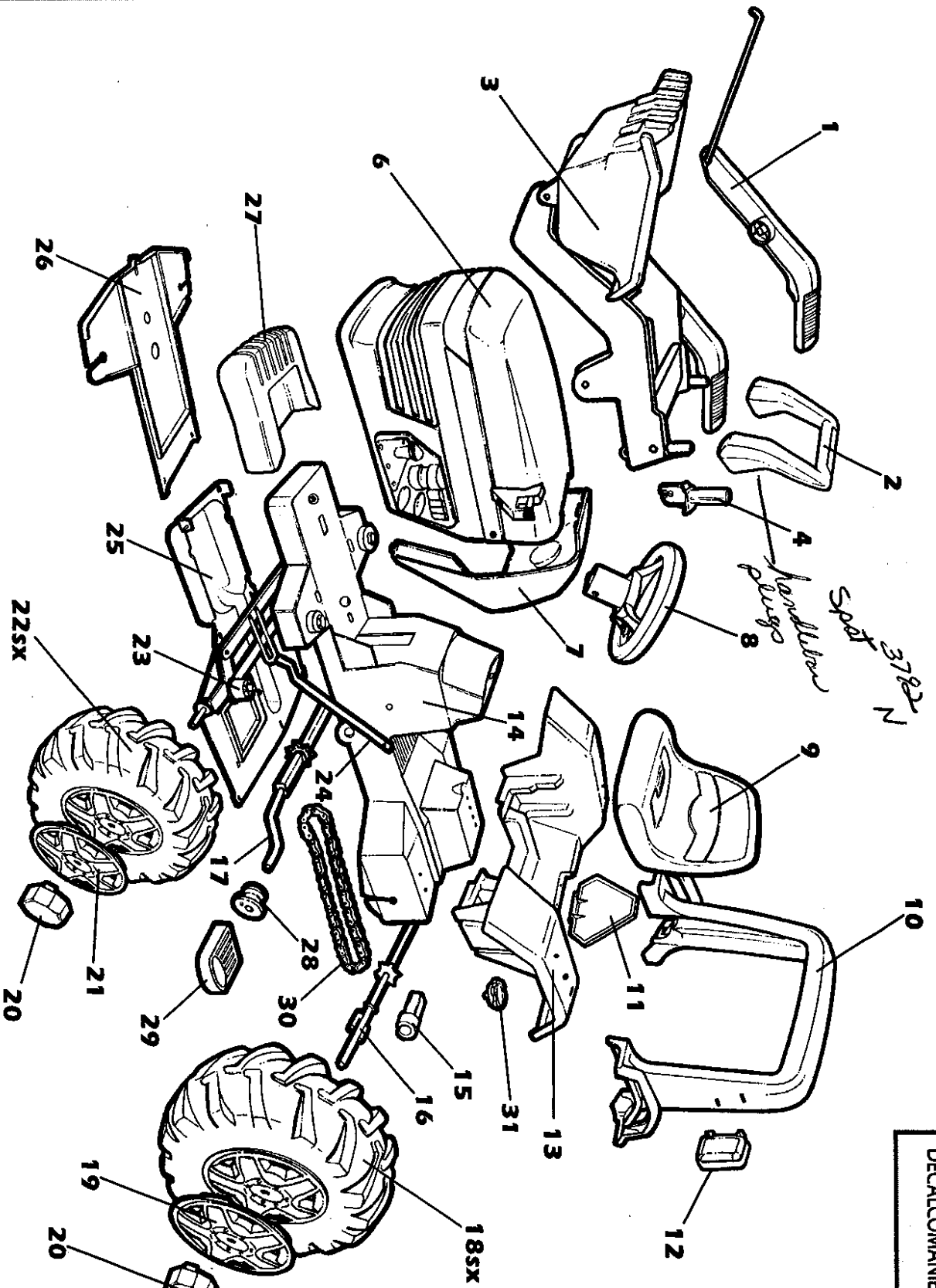


JOHN DEERE
LICENSED PRODUCT





- 1 ASGI0065N
- 2 ASGI0066YG
- 3 ASGI0124NVB
- 4 SPST3215N
- 5 MMEV0098
- 6 ASGI0125VB
- 7 SPST3729VB
- 8 ASGI0032Y
- 9 SARP8273YG
- 10 SPST8232N
- 11 SPST3808N
- 12 ASGI0130N
- 13 SPST3731JVB
- 14 SPST0210N
- 15 SPST3771L1C
- 16 SOGI00305C
- 17 SOGI0029
- 18dx SARP3738DN
- 18sx SARP37385N
- 19 SPST3736YG
- 20 SPST3185N
- 21 SPST3735YG
- 22dx SARP3737DN
- 22sx SARP37375N
- 23 ARGI0024
- 24 SOTF0133C
- 25 SPST3396N
- 26 SPST3404N
- 27 SPST0441N
- 28 SPST3811N
- 29 SPST0265N
- 30 SPST3813N
- 31 SPST3814YG



5 — DECALS
CALCOMANIAS
DECALCOMANIE

Peg-Pérego

PEG PEREGO® thanks you for choosing this product. For over 50 years, PEG PEREGO has been taking children for an outing: first with its famous baby carriages and strollers, later with its pedal and battery operated toy vehicles.

Read this instruction manual carefully to learn the use of this vehicle and to teach your child safe and enjoyable driving. Please keep this manual for use as a reference in the future.



Our toys conform with the safety requirements provided by the Council of the EEC, of the T.Ü.V; and the U.S. Consumer Toy Safety Specification F963.

Peg Perego reserves the right to modify or change their product. Price, literature, manufacturing processes or locations or any combination of these above mentioned entities may change at any time for any reason without notice with impunity.



Years 3-6

CUSTOMER SERVICE

PEG PEREGO offers after-sales services, directly or with a network of authorized service centers (see enclosed) for repairs or replacement parts.

EUROPE: ☎ 0039-39-6088213
☎ 0039-39-6088299

USA: ☎ 1-800-728-2108 call us toll free
☎ 1-800-225-1558 llame gratis

MEXICO: ☎ 1-800-225-1558 llame gratis

CANADA: ☎ 1-800-661-5050 call us toll free

ASSEMBLY INSTRUCTIONS

ADULT ASSEMBLY REQUIRED.

USE CARE WHEN UNPACKING AS COMPONENTS TO BE ASSEMBLED MAY POSE A SMALL PARTS/SHARP EDGE HAZARD.

ASSEMBLY

- 1 • Insert the fake counterweight at the front of the tractor.
- 2 • Tighten the screws in the base.
- 3 • Connect the two parts of the steering wheel.
- 4 • Attach the steering wheel with the proper screw and nut.
Note: nut fits into hexagon hole, screw into round hole.
- 5 • Remove the stud from the bucket arm.
- 6 • Before positioning the arm, apply the decal #5.
Position the arm on the motor and re-insert the stud.
- 7 • Fasten the tie rod with the stud by pressing firmly at both ends.
- 8 • Remove the tape.
- 9 • Insert a stud in the special device.
Insert the shovel rod in the hole on the command lever. Fasten the shovel tie rod with the stud as shown in the figure.
- 10 • Insert the plugs in the handlebar.
- 11 • Insert and fit the handlebar with the screws provided.
- 12 • To lower the entire bucket block, push the handle forwards.
- 13 • To tip the shovel, lower the command lever.
- 14 • Position the roll-bar to the fender.
- 15 • Tighten the four screws to fix the roll-bar.
- 16 • Position and screw on the fender with the 4 screws.
- 17 • Attach SMV triangle to tractor with two screw.
- 18 • Unscrew the two knobs and plate from seat bottom.
- 19 • The seat can be set at two different positions depending on the height of the child.
- 20 • Position the seat in one of the holes.
- 21 • Place the tractor on its side and unscrew the panel on the bottom.
- 22 • Insert the iron bar and hook it onto the grooved pin of the seat.
- 23 • Tight the seat with the two knobs and screw the panel back in place.
- 24 • Position the roll-bar lights (1), pushing them till they click (2).
- 25 • If you want to increase the tension of the

chain: Unscrew and rotate the plastic disk to position 2 or 3.

26 • Fasten the disk by tightening the screws.

27 • OPTIONAL: trailer.

VEHICLE MAINTENANCE AND SAFETY

This product conforms to EN 71 safety standard for toys.

This vehicle is not intended for use on streets, around traffic or parked cars.

MAINTENANCE AND CARE

- ▶ Regularly check the conditions of the vehicle. In case of fault, do not try to use the vehicle.
For repair use only original PEG PEREGO's spare parts.
- ▶ PEG PEREGO assumes no liability if the product as been tampered with.
- ▶ Do not leave vehicle near sources of heat such as radiators, stoves, fireplaces, etc.
- ▶ Protect vehicle from water, rain, snow, etc.
- ▶ Periodically lubricate (with a light weight oil) moving parts, such as wheel bearings, steering linkages, and chains at points of rotation or where they come in contact.
- ▶ The vehicle's surface can be cleaned with a damp cloth. Do not use abrasive cleaners. The cleaning must be carried out by adults only.
- ▶ Never disassemble the vehicles mechanisms unless authorized by PEG PEREGO.

SAFETY

WARNING! THE VEHICLE MUST BE USED UNDER ADULT SUPERVISION.

- ▶ A child must be 2 years of age or older for the necessary coordination and maturation to operate this motorized vehicle safely.
- ▶ Never use the vehicle on steep slopes, near steps or stairs, in the middle of traffic or between parked cars.
- ▶ Children should always wear shoes when riding in or driving a ride-in/ride-on vehicle.
- ▶ Do not allow children to place their hands, feet or any part of their body, clothing or other articles near the moving parts while vehicle is in operation.
- ▶ Never use gasoline or other flammable substances near the vehicle.
- ▶ The vehicle is constructed just for **one** child.



This document was created with Win2PDF available at <http://www.win2pdf.com>.
The unregistered version of Win2PDF is for evaluation or non-commercial use only.
This page will not be added after purchasing Win2PDF.