

*2001  
Friedrich Air Conditioning  
Co.  
Room Air Conditioning  
Parts Manual*

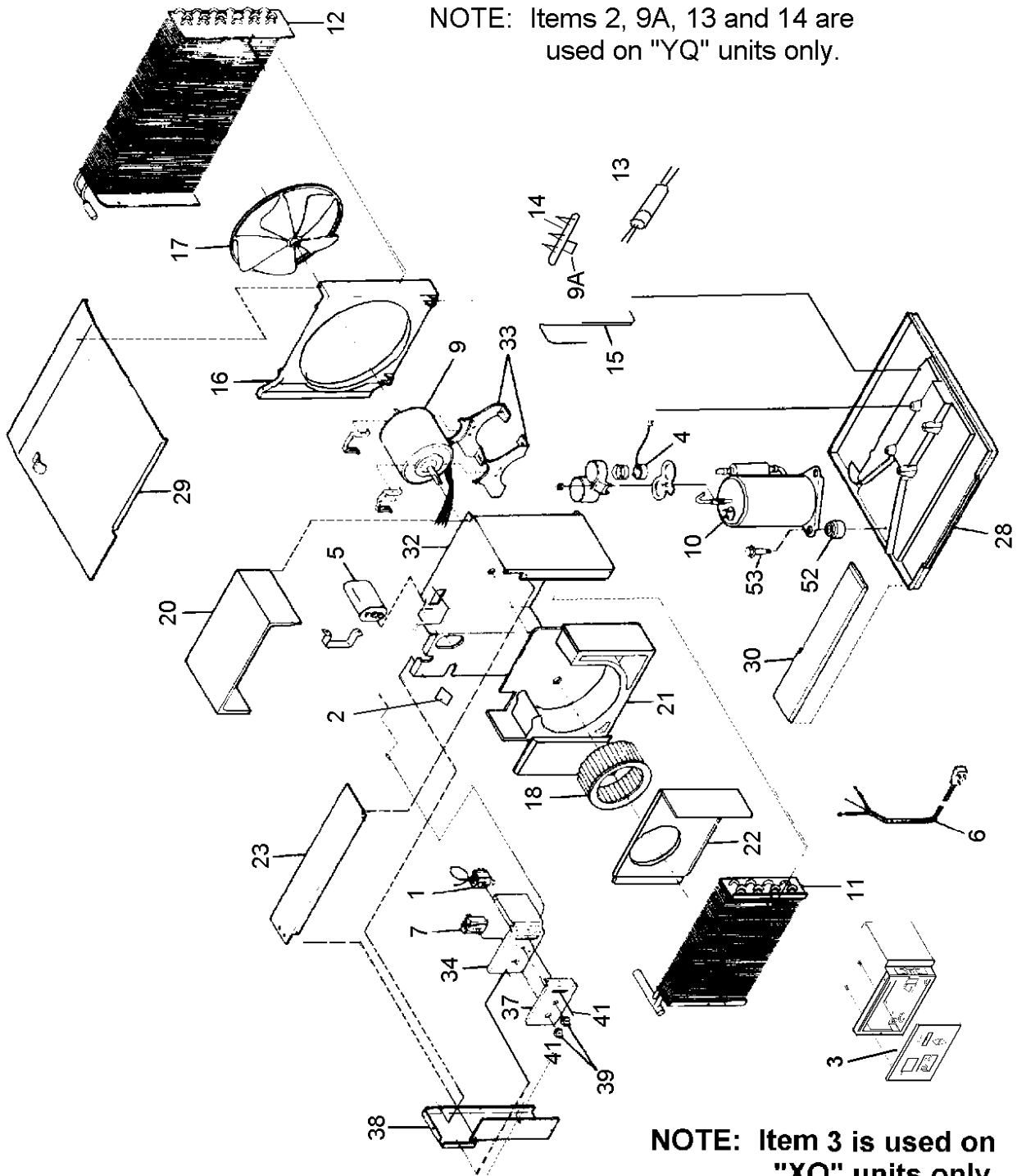


**Friedrich**

*"Q" Series Portable  
Chassis Room Air  
Conditioners*

# "Q" SERIES CABINET PARTS (KQ, SQ, YQ)

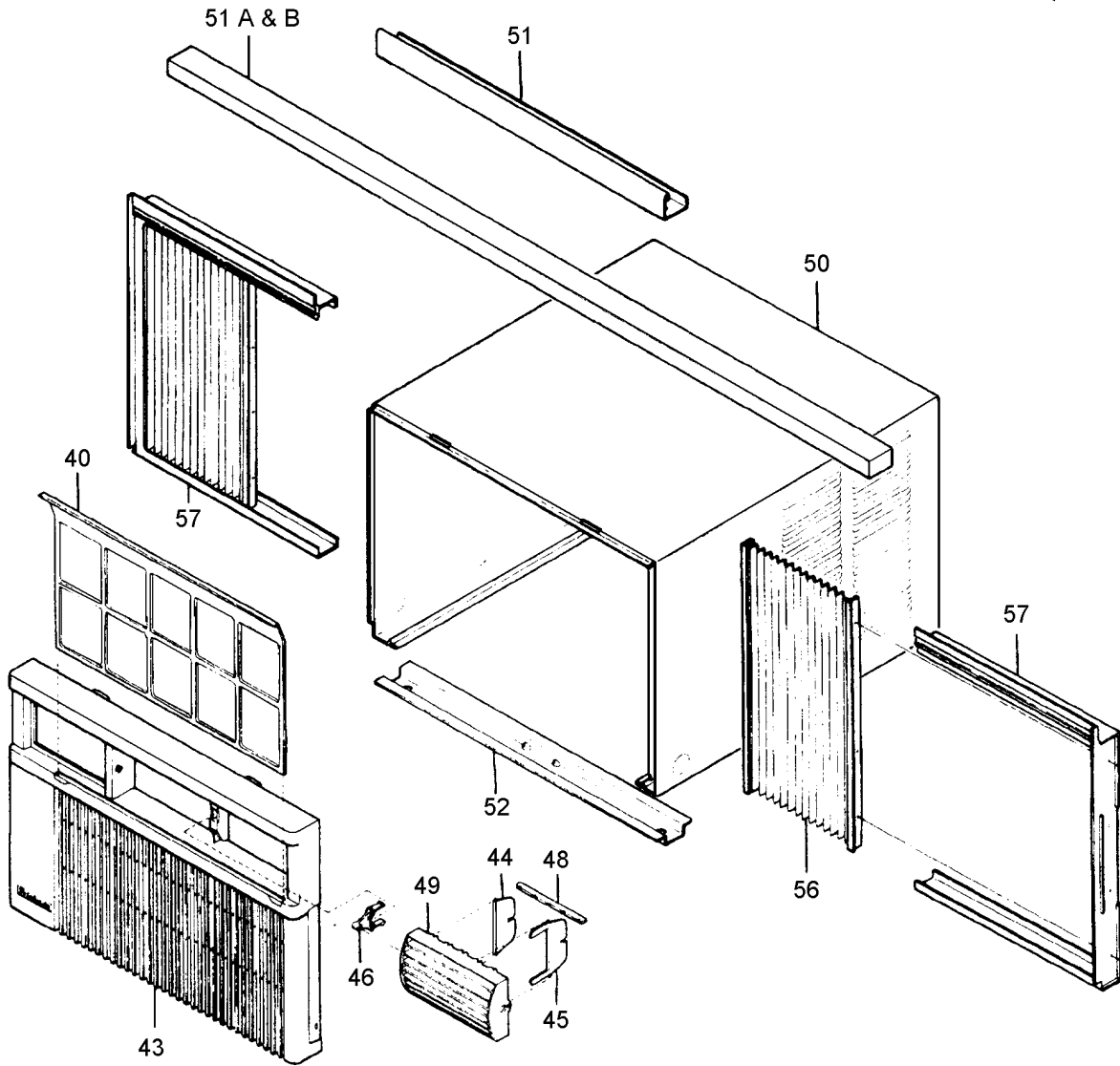
NOTE: Items 2, 9A, 13 and 14 are used on "YQ" units only.



NOTE: Item 3 is used on "XQ" units only.

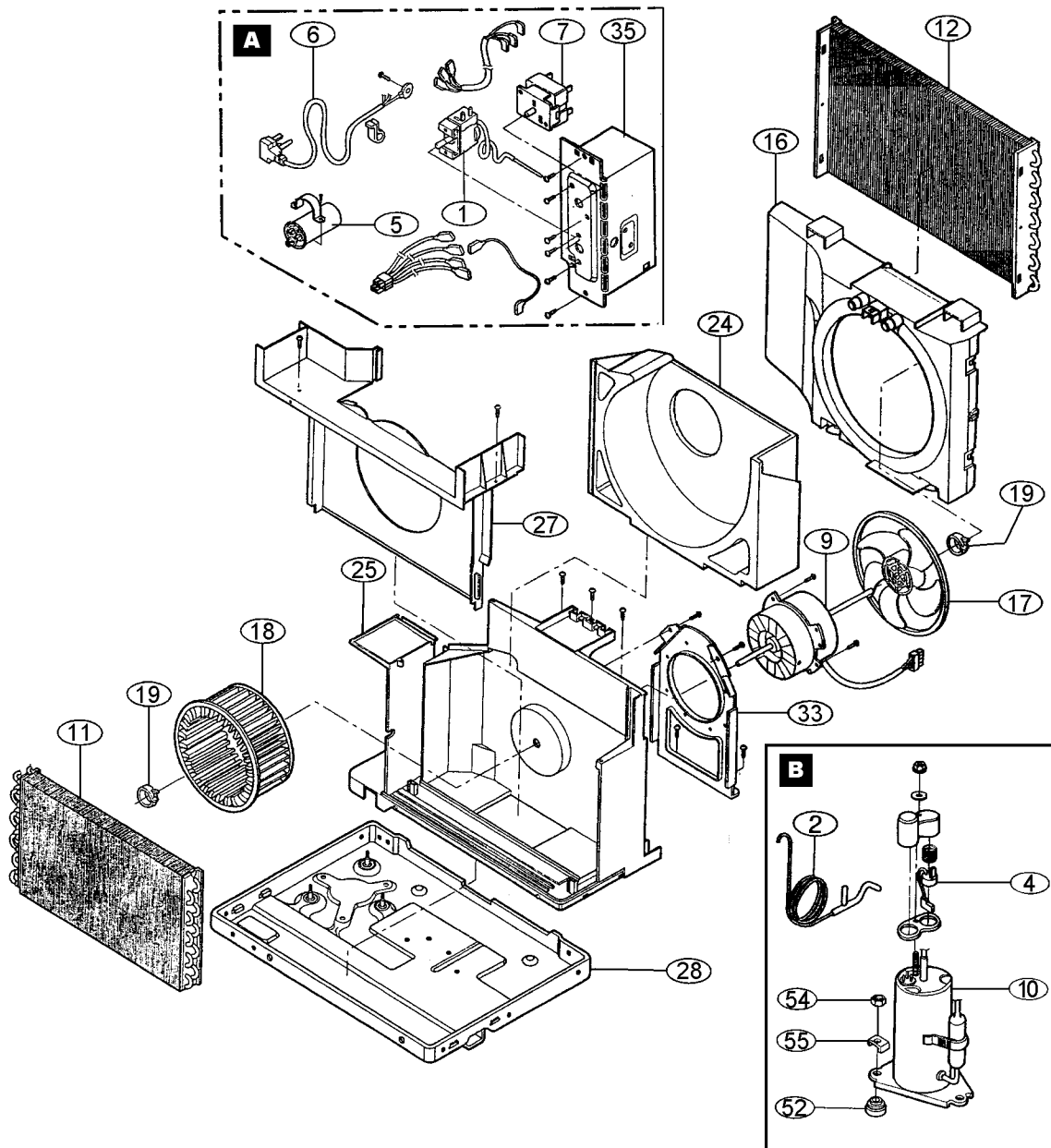
# "Q" SERIES CABINET PARTS (KQ, SQ, YQ)

NOTE: Items 51, 56 and 57 are not included  
included with the "YQ" unit.



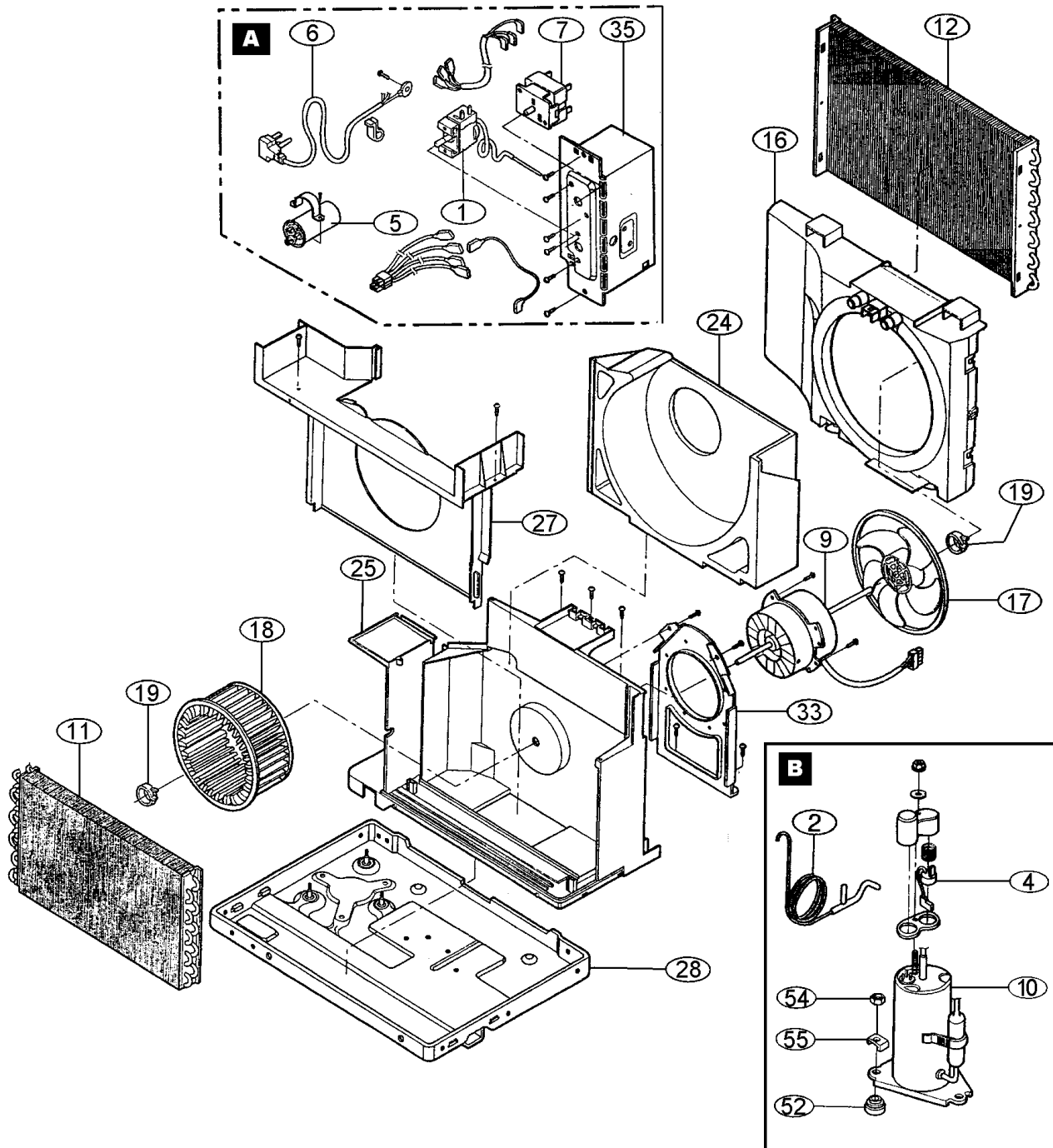
# "Q" SERIES CHASSIS PARTS (ZQ05A10A & ZQ07A10A)

**NOTE: Box A for ZQ05A10A  
& ZQ07A10A**



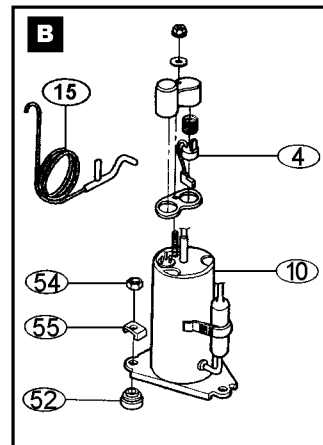
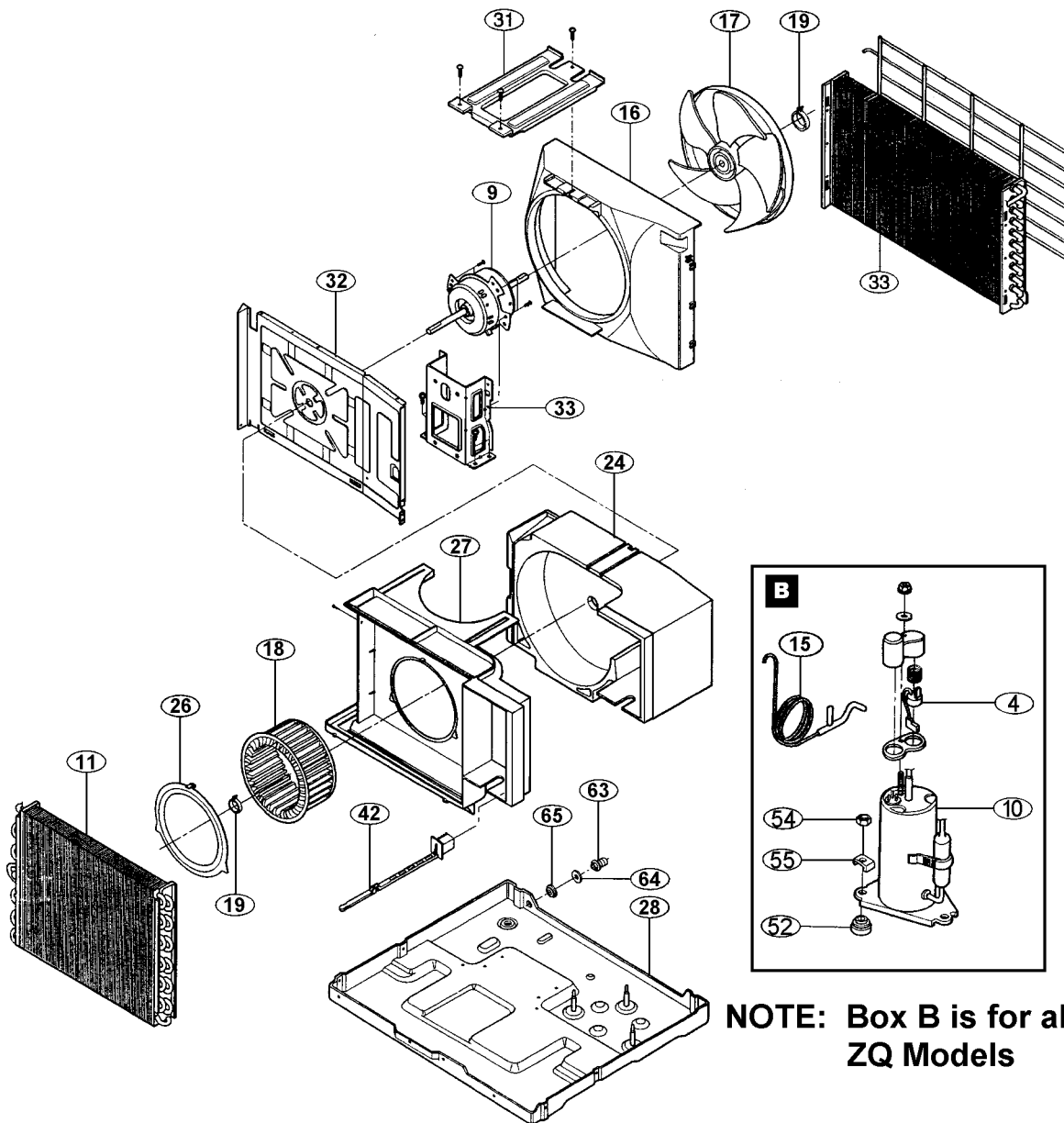
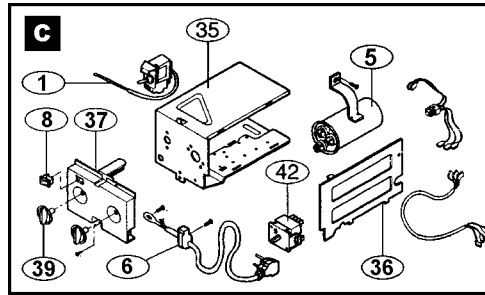
# "Q" SERIES CHASSIS PARTS (ZQ05A10A & ZQ07A10A)

**NOTE: Box A for ZQ05A10A  
& ZQ07A10A**



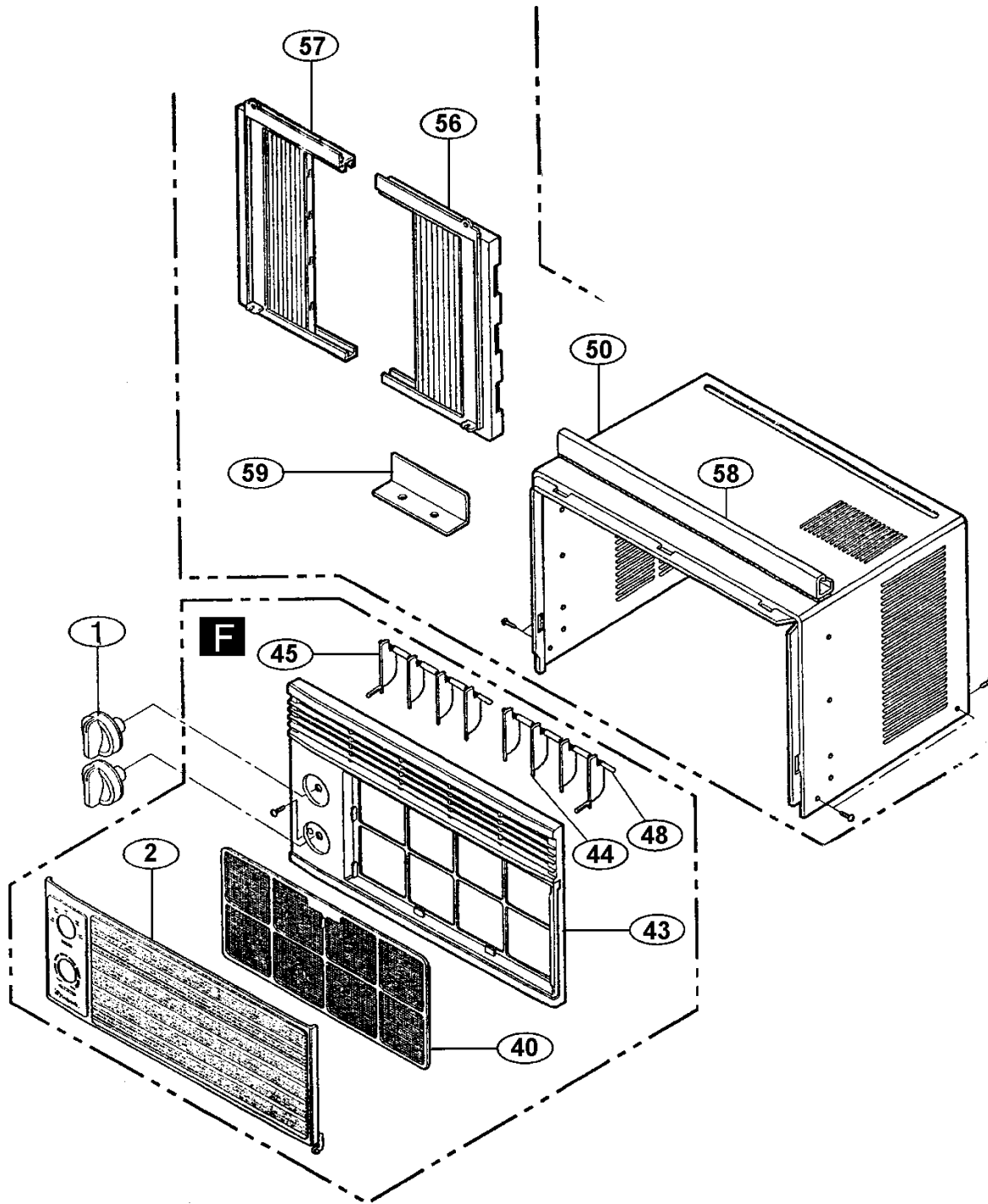
**"Q" SERIES CHASSIS PARTS  
(ZQ08A10B & ZQ10A10A)**

**NOTE: Box C is for ZQ08A10B  
AND ZQ10A10A**



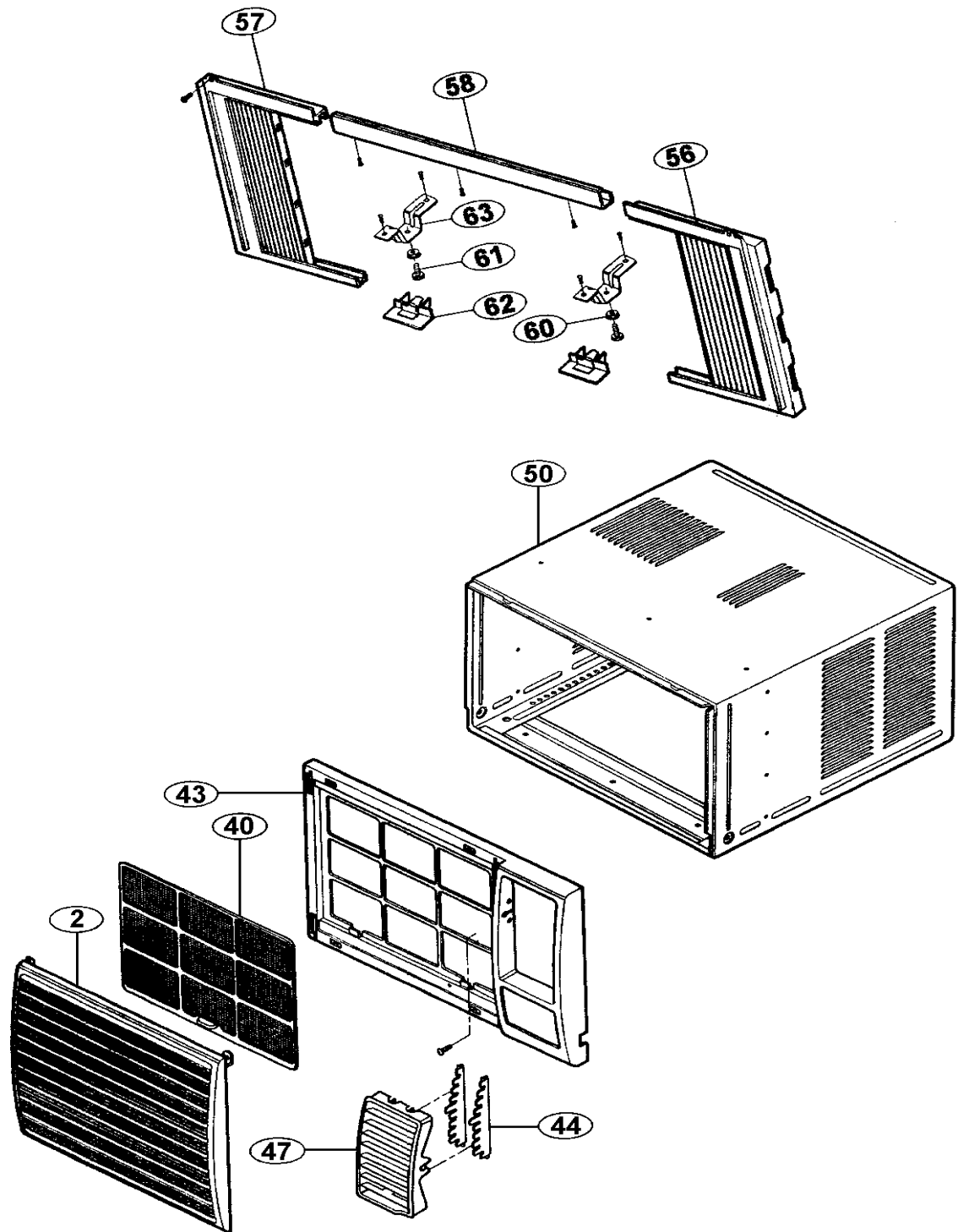
**NOTE: Box B is for all  
ZQ Models**

**"Q" SERIES CABINET PARTS  
(ZQ05A10A & ZQ07A10A)**





**"Q" SERIES CABINET PARTS  
(ZQ08A10B & ZQ10A10A)**



## PORTABLE "Q" SERIES

| REF. | DESCRIPTION                 | PART NO. | KSTAR      |            |            | QSTAR      |            |            | XSTAR     |           |           |           | YSTAR      | ZSTAR   |          |          |          | CODE |     |
|------|-----------------------------|----------|------------|------------|------------|------------|------------|------------|-----------|-----------|-----------|-----------|------------|---------|----------|----------|----------|------|-----|
|      |                             |          | KQ05J10B-3 | KQ06J10B-3 | KQ08J10B-3 | SQ05J10B-3 | SQ06J10B-3 | SQ08J10C-1 | XQ05J10-3 | XQ06J10-3 | XQ07J10-1 | XQ08J10-1 | YQ06J10A-1 | ZQ5A10A | ZQ07A10A | ZQ08A10B | ZQ10A10A |      |     |
| 1    | THERMOSTAT                  | 61822501 | 1          | 1          | 1          | 1          | 1          | 1          |           |           |           |           |            |         |          |          |          |      | 120 |
| 1    | THERMOSTAT                  | 61822401 |            |            |            |            |            |            |           |           |           |           | 1          |         |          |          |          |      | 120 |
| 1    | THERMOSTAT                  | 67300400 |            |            |            |            |            |            |           |           |           |           |            | 1       | 1        |          |          |      | 120 |
| 1    | THERMOSTAT                  | 67300402 |            |            |            |            |            |            |           |           |           |           |            |         |          | 1        | 1        |      | 120 |
| 2    | THERMOSTAT, DEFROST         | 60442500 |            |            |            |            |            |            |           |           |           |           | 1          |         |          |          |          |      | 122 |
| 3    | ELECTRONIC BOARD            | 61921102 |            |            |            |            |            |            | 1         | 1         | 1         | 1         |            |         |          |          |          |      | 331 |
| *    | REMOTE CONTROL              | 61826602 |            |            |            |            |            |            | 1         | 1         | 1         | 1         |            |         |          |          |          |      | 350 |
| *    | RESISTOR (Heat Anticipator) | 61900600 |            |            |            | 1          | 1          | 1          |           |           |           |           |            |         |          |          |          |      | 200 |
| 4    | OVERLOAD                    | 61764526 | 1          |            |            | 1          |            | 1          |           |           |           |           |            |         |          |          |          |      | 190 |
| 4    | OVERLOAD                    | 61764516 |            | 1          |            |            | 1          |            |           | 1         |           |           |            |         |          |          |          |      | 190 |
| 4    | OVERLOAD                    | 61764510 |            |            | 1          |            |            | 1          |           |           |           |           |            | 1       |          |          |          |      | 190 |
| 4    | OVERLOAD                    | 61764507 |            |            |            |            |            |            |           |           | 1         |           |            | 1       |          |          |          |      | 190 |
| 4    | OVERLOAD                    | 67301405 |            |            |            |            |            |            |           |           |           |           |            |         | 1        | 1        |          |      | 190 |
| 4    | OVERLOAD                    | 67301404 |            |            |            |            |            |            |           |           |           |           |            |         |          |          | 1        | 1    | 190 |
| 5    | CAPACITOR                   | 61080350 | 1          | 1          | 1          | 1          | 1          | 1          | 1         | 1         | 1         | 1         | 1          |         |          |          |          |      | 150 |
| 5    | CAPACITOR                   | 67300702 |            |            |            |            |            |            |           |           |           |           |            |         | 1        | 1        |          |      | 150 |
| 5    | CAPACITOR                   | 67300704 |            |            |            |            |            |            |           |           |           |           |            |         |          |          | 1        | 1    | 150 |
| 6    | SUPPLY CORD                 | 60500065 | 1          | 1          | 1          | 1          | 1          | 1          | 1         | 1         | 1         | 1         | 1          |         |          |          |          |      | 220 |
| 6    | SUPPLY CORD                 | 67300000 |            |            |            |            |            |            |           |           |           |           |            |         | 1        | 1        |          |      | 220 |
| 6    | SUPPLY CORD                 | 67300001 |            |            |            |            |            |            |           |           |           |           |            |         |          |          | 1        | 1    | 220 |
| 7    | SWITCH                      | 60441606 | 1          | 1          | 1          |            |            |            |           |           |           |           |            |         |          |          |          |      | 130 |
| 7    | SWITCH                      | 60441607 |            |            |            |            |            |            |           |           |           |           |            | 1       |          |          |          |      | 130 |
| 7    | SWITCH                      | 60607206 |            |            |            | 1          | 1          | 1          |           |           |           |           |            |         |          |          |          |      | 130 |
| 7    | SWITCH                      | 67300500 |            |            |            |            |            |            |           |           |           |           |            |         | 1        | 1        |          |      | 130 |
| 7    | SWITCH                      | 67300501 |            |            |            |            |            |            |           |           |           |           |            |         |          |          | 1        | 1    | 130 |
| *    | SWITCH (YES - NO)           | 61806102 |            |            |            | 1          | 1          | 1          |           |           |           |           |            |         |          |          |          |      | 132 |
| 8    | SWITCH (YES - NO)           | 67305701 |            |            |            |            |            |            |           |           |           |           |            |         |          |          | 1        | 1    | 132 |
| 9    | FAN MOTOR                   | 61871421 |            |            |            | 1          | 1          |            | 1         | 1         | 1         |           |            |         |          |          |          |      | 110 |
| 9    | FAN MOTOR                   | 61871422 | 1          | 1          |            |            |            |            |           |           |           |           | 1          |         |          |          |          |      | 110 |
| 9    | FAN MOTOR                   | 61871423 |            |            |            |            |            | 1          |           |           |           |           | 1          |         |          |          |          |      | 110 |
| 9    | FAN MOTOR                   | 61871424 |            |            | 1          |            |            |            |           |           |           |           |            |         |          |          |          |      | 110 |
| 9    | FAN MOTOR                   | 67303006 |            |            |            |            |            |            |           |           |           |           |            |         | 1        | 1        |          |      | 110 |
| 9    | FAN MOTOR                   | 67303004 |            |            |            |            |            |            |           |           |           |           |            |         |          |          | 1        |      | 110 |
| 9    | FAN MOTOR                   | 67303005 |            |            |            |            |            |            |           |           |           |           |            |         |          |          |          | 1    | 110 |
| 9A   | SOLENOID, REV. VALVE        | 25018800 |            |            |            |            |            |            |           |           |           |           | 1          |         |          |          |          |      | 240 |

\* PARTS NOT SHOWN

## PORTABLE "Q" SERIES

| REF. | DESCRIPTION          | PART NO. | KSTAR      |            |            | QSTAR      |            |            | XSTAR     |           |           |           | YSTAR      | ZSTAR   |          |          |          | CODE |     |
|------|----------------------|----------|------------|------------|------------|------------|------------|------------|-----------|-----------|-----------|-----------|------------|---------|----------|----------|----------|------|-----|
|      |                      |          | KQ05J10B-3 | KQ06J10B-3 | KQ08J10B-3 | SQ05J10B-3 | SQ06J10B-3 | SQ08J10C-1 | XQ05J10-3 | XQ06J10-3 | XQ07J10-1 | XQ08J10-1 | YQ06J10A-1 | ZQ5A10A | ZQ07A10A | ZQ08A10B | ZQ10A10A |      |     |
| 10   | COMPRESSOR           | 61716613 | 1          |            |            | 1          |            | 1          |           |           |           |           |            |         |          |          |          |      | 600 |
| 10   | COMPRESSOR           | 61716604 |            | 1          |            |            | 1          |            | 1         |           |           |           |            |         |          |          |          |      | 600 |
| 10   | COMPRESSOR           | 61562832 |            |            |            |            |            |            |           | 1         |           |           |            |         |          |          |          |      | 600 |
| 10   | COMPRESSOR           | 61562833 |            |            | 1          |            | 1          |            |           |           | 1         |           |            |         |          |          |          |      | 600 |
| 10   | COMPRESSOR           | 61562829 |            |            |            |            |            |            |           |           |           | 1         |            |         |          |          |          |      | 600 |
| 10   | COMPRESSOR           | 67301606 |            |            |            |            |            |            |           |           |           |           | 1          |         |          |          |          |      | 600 |
| 10   | COMPRESSOR           | 67301605 |            |            |            |            |            |            |           |           |           |           |            |         |          |          |          | 1    | 600 |
| 10   | COMPRESSOR           | 67301604 |            |            |            |            |            |            |           |           |           |           |            |         |          |          | 1        |      | 600 |
| 10   | COMPRESSOR           | 67301602 |            |            |            |            |            |            |           |           |           |           |            |         |          | 1        |          |      | 600 |
| 11   | EVAPORATOR COIL      | 61600266 | 1          |            |            |            |            |            |           |           |           |           |            |         |          |          |          |      | 400 |
| 11   | EVAPORATOR COIL      | 61600267 |            | 1          |            |            |            |            |           |           |           |           |            |         |          |          |          |      | 400 |
| 11   | EVAPORATOR COIL      | 61600258 |            |            | 1          |            | 1          |            |           | 1         | 1         |           |            |         |          |          |          |      | 400 |
| 11   | EVAPORATOR COIL      | 61600403 |            |            |            | 1          |            | 1          |           |           |           |           |            |         |          |          |          |      | 400 |
| 11   | EVAPORATOR COIL      | 61600257 |            |            |            | 1          |            | 1          |           |           |           | 1         |            |         |          |          |          |      | 400 |
| 11   | EVAPORATOR COIL      | 67302406 |            |            |            |            |            |            |           |           |           |           |            | 1       |          |          |          |      | 400 |
| 11   | EVAPORATOR COIL      | 67302402 |            |            |            |            |            |            |           |           |           |           |            |         |          | 1        |          |      | 400 |
| 11   | EVAPORATOR COIL      | 67302403 |            |            |            |            |            |            |           |           |           |           |            |         |          |          | 1        |      | 400 |
| 11   | EVAPORATOR COIL      | 67302405 |            |            |            |            |            |            |           |           |           |           |            |         |          |          |          | 1    | 400 |
| 12   | CONDENSER COIL       | 61600352 | 1          |            |            |            |            |            |           |           |           |           |            |         |          |          |          |      | 410 |
| 12   | CONDENSER COIL       | 61600349 |            | 1          |            |            |            |            |           |           |           |           |            |         |          |          |          |      | 410 |
| 12   | CONDENSER COIL       | 61600519 |            |            | 1          | 1          | 1          |            | 1         |           | 1         |           |            |         |          |          |          |      | 410 |
| 12   | CONDENSER COIL       | 61600517 |            |            |            | 1          |            | 1          |           |           |           |           |            |         |          |          |          |      | 410 |
| 12   | CONDENSER COIL       | 61600350 |            |            |            |            |            |            |           | 1         |           |           |            |         |          |          |          |      | 410 |
| 12   | CONDENSER COIL       | 61600515 |            |            |            |            |            |            |           |           |           | 1         |            |         |          |          |          |      | 410 |
| 12   | CONDENSER COIL       | 67303306 |            |            |            |            |            |            |           |           |           |           | 1          |         |          |          |          |      | 410 |
| 12   | CONDENSER COIL       | 67303302 |            |            |            |            |            |            |           |           |           |           |            |         |          | 1        |          |      | 410 |
| 12   | CONDENSER COIL       | 67303303 |            |            |            |            |            |            |           |           |           |           |            |         |          |          | 1        |      | 410 |
| 12   | CONDENSER COIL       | 67303305 |            |            |            |            |            |            |           |           |           |           |            |         |          |          |          | 1    | 410 |
| *    | DRIER, LIQUID        | 61481300 | 1          | 1          | 1          | 1          | 1          | 1          | 1         | 1         | 1         |           |            | 1       | 1        | 1        | 1        | 1    | 480 |
| *    | DRIER, SUCTION       | 61828200 |            |            |            |            |            |            |           |           |           |           | 1          |         |          |          |          |      | 480 |
| 13   | CHECK VALVE          | 61824400 |            |            |            |            |            |            |           |           |           |           | 1          |         |          |          |          |      | 510 |
| 14   | REVERSING VALVE      | 25018200 |            |            |            |            |            |            |           |           |           |           | 1          |         |          |          |          |      | 500 |
| 15   | CAPILLARY TUBE       | 67302106 |            |            |            |            |            |            |           |           |           |           |            | 1       |          |          |          |      | 471 |
| 15   | CAPILLARY TUBE       | 67302102 |            |            |            |            |            |            |           |           |           |           |            |         |          | 1        |          |      | 471 |
| 15   | CAPILLARY TUBE       | 67302103 |            |            |            |            |            |            |           |           |           |           |            |         |          |          | 1        |      | 471 |
| 15   | CAPILLARY TUBE       | 67302105 |            |            |            |            |            |            |           |           |           |           |            |         |          |          |          | 1    | 471 |
| 15   | CAPILLARY TUBE       | O3760545 | 1          | 1          |            |            |            |            |           |           |           |           |            |         |          |          |          |      | 471 |
| 15   | CAPILLARY TUBE       | O1389903 |            |            | 1          |            | 1          |            |           |           |           | 1         |            |         |          |          |          |      | 471 |
| 15   | CAPILLARY TUBE       | O3760543 |            |            |            | 1          | 1          |            | 1         | 1         |           |           |            |         |          |          |          |      | 471 |
| 15   | CAPILLARY TUBE       | O3760513 |            |            |            |            |            |            |           |           | 1         |           |            |         |          |          |          |      | 471 |
| 15   | CAPILLARY TUBE (HTG) | O3760500 |            |            |            |            |            |            |           |           |           |           | 1          |         |          |          |          |      | 471 |
| 15   | CAPILLARY TUBE (CLG) | O3760554 |            |            |            |            |            |            |           |           |           |           | 1          |         |          |          |          |      | 471 |

\* PARTS NOT SHOWN

## PORTABLE "Q" SERIES

| REF. | DESCRIPTION          | PART NO. | KSTAR      |            |            | QSTAR      |            |            | XSTAR     |           |           | YSTAR     | ZSTAR      |          |          |          | CODE |
|------|----------------------|----------|------------|------------|------------|------------|------------|------------|-----------|-----------|-----------|-----------|------------|----------|----------|----------|------|
|      |                      |          | KQ05J10B-3 | KQ06J10B-3 | KQ08J10B-3 | SQ05J10B-3 | SQ06J10B-3 | SQ08J10C-1 | XQ05J10-3 | XQ06J10-3 | XQ07J10-1 | XQ08J10-1 | YQ06J10A-1 | ZQ05A10A | ZQ07A10A | ZQ08A10B |      |
| 16   | SHROUD, CONDENSER    | 61627601 | 1          | 1          | 1          | 1          | 1          | 1          | 1         | 1         | 1         | 1         |            |          |          |          | 720  |
| 16   | SHROUD, CONDENSER    | 67303105 |            |            |            |            |            |            |           |           |           |           | 1          |          |          |          | 720  |
| 16   | SHROUD, CONDENSER    | 67303100 |            |            |            |            |            |            |           |           |           |           |            | 1        |          |          | 720  |
| 16   | SHROUD, CONDENSER    | 67303102 |            |            |            |            |            |            |           |           |           |           |            |          | 1        |          | 720  |
| 16   | SHROUD, CONDENSER    | 67303104 |            |            |            |            |            |            |           |           |           |           |            |          |          | 1        | 720  |
| 17   | FAN BLADE            | 61634001 | 1          | 1          | 1          | 1          | 1          | 1          | 1         | 1         | 1         | 1         |            |          |          |          | 710  |
| 17   | FAN BLADE            | 67303204 |            |            |            |            |            |            |           |           |           |           | 1          |          |          |          | 710  |
| 17   | FAN BLADE            | 67303200 |            |            |            |            |            |            |           |           |           |           |            | 1        |          |          | 710  |
| 17   | FAN BLADE            | 67303201 |            |            |            |            |            |            |           |           |           |           |            |          | 1        |          | 710  |
| 17   | FAN BLADE            | 67303203 |            |            |            |            |            |            |           |           |           |           |            |          |          | 1        | 710  |
| 18   | BLOWER WHEEL         | 60610606 | 1          | 1          | 1          | 1          | 1          | 1          | 1         | 1         | 1         | 1         |            |          |          |          | 700  |
| 18   | BLOWER WHEEL         | 67302605 |            |            |            |            |            |            |           |           |           |           | 1          |          |          |          | 700  |
| 18   | BLOWER WHEEL         | 67302600 |            |            |            |            |            |            |           |           |           |           |            | 1        |          |          | 700  |
| 18   | BLOWER WHEEL         | 67302603 |            |            |            |            |            |            |           |           |           |           |            |          | 1        |          | 700  |
| 18   | BLOWER WHEEL         | 67302604 |            |            |            |            |            |            |           |           |           |           |            |          |          | 1        | 700  |
| 19   | SPRING CLAMP         | 67302500 |            |            |            |            |            |            |           |           |           |           | 2          | 2        | 2        | 2        | 999  |
| 20   | COVER, BLOWER WRAP   | 61633101 | 1          | 1          | 1          | 1          | 1          | 1          | 1         | 1         | 1         | 1         |            |          |          |          | 745  |
| 21   | WRAPPER, BLOWER      | 61633300 | 1          | 1          | 1          | 1          | 1          | 1          | 1         | 1         | 1         | 1         |            |          |          |          | 741  |
| 22   | FRONT, BLOWER        | 61633201 | 1          | 1          | 1          | 1          | 1          | 1          | 1         | 1         | 1         | 1         |            |          |          |          | 742  |
| 23   | DECK, BLOWER         | 61619404 | 1          | 1          | 1          | 1          | 1          | 1          | 1         | 1         | 1         | 1         |            |          |          |          | 745  |
| 24   | SCROLL, BLOWER       | 67302800 |            |            |            |            |            |            |           |           |           |           | 1          | 1        |          |          | 743  |
| 24   | SCROLL, BLOWER       | 67302802 |            |            |            |            |            |            |           |           |           |           |            |          | 1        | 1        | 743  |
| 25   | ORIFICE, BLOWER      | 67303401 |            |            |            |            |            |            |           |           |           |           | 1          | 1        |          |          | 738  |
| 26   | ORIFICE RING, BLOWER | 67303403 |            |            |            |            |            |            |           |           |           |           |            |          | 1        |          | 738  |
| 26   | ORIFICE RING, BLOWER | 67303405 |            |            |            |            |            |            |           |           |           |           |            |          |          | 1        | 738  |
| 27   | AIR GUIDE UPPER      | 67302706 |            |            |            |            |            |            |           |           |           |           | 1          |          |          |          | 745  |
| 27   | AIR GUIDE LOWER      | 67302707 |            |            |            |            |            |            |           |           |           |           | 1          |          |          |          | 742  |
| 27   | AIR GUIDE ASSLY      | 67302700 |            |            |            |            |            |            |           |           |           |           |            | 1        |          |          | 742  |
| 27   | AIR GUIDE ASSLY      | 67302703 |            |            |            |            |            |            |           |           |           |           |            |          | 1        |          | 742  |
| 27   | AIR GUIDE ASSLY      | 67302705 |            |            |            |            |            |            |           |           |           |           |            |          |          | 1        | 742  |
| 28   | BASE PAN             | 61626302 | 1          | 1          | 1          | 1          | 1          | 1          | 1         | 1         | 1         | 1         |            |          |          |          | 730  |
| 28   | BASE PAN             | 67302906 |            |            |            |            |            |            |           |           |           |           | 1          |          |          |          | 730  |
| 28   | BASE PAN             | 67302902 |            |            |            |            |            |            |           |           |           |           |            | 1        |          |          | 730  |
| 28   | BASE PAN             | 67302903 |            |            |            |            |            |            |           |           |           |           |            |          | 1        |          | 730  |
| 28   | BASE PAN             | 67302905 |            |            |            |            |            |            |           |           |           |           |            |          |          | 1        | 730  |
| 29   | COVER, UNIT TOP      | 61715600 | 1          | 1          | 1          | 1          | 1          | 1          | 1         | 1         | 1         | 1         |            |          |          |          | 746  |
| 30   | DRAIN PAN, EVAP.     | 61638400 | 1          | 1          | 1          | 1          | 1          | 1          | 1         | 1         | 1         | 1         |            |          |          |          | 840  |
| 31   | BRACE, TOP           | 67303901 |            |            |            |            |            |            |           |           |           |           |            |          | 1        | 1        | 722  |
| 32   | INNER WALL           | 61597312 | 1          | 1          | 1          |            |            |            |           |           |           |           |            |          |          |          | 777  |
| 32   | INNER WALL           | 61597308 |            |            |            | 1          | 1          | 1          | 1         | 1         | 1         |           |            |          |          |          | 777  |
| 32   | INNER WALL           | 61597314 |            |            |            |            |            |            |           |           |           | 1         |            |          |          |          | 777  |
| 32   | INNER WALL           | 67306800 |            |            |            |            |            |            |           |           |           |           |            |          | 1        | 1        | 777  |
| 33   | FAN MOTOR MOUNT      | 61776901 | 1          | 1          | 1          | 1          | 1          | 1          | 1         | 1         | 1         | 1         |            |          |          |          | 900  |

\* PARTS NOT SHOWN

## PORTABLE "Q" SERIES

| REF. | DESCRIPTION          | PART NO. | KSTAR      |            |            | QSTAR      |            | XSTAR      |           |           |           | YSTAR     | ZSTAR      |         |          |          | CODE |
|------|----------------------|----------|------------|------------|------------|------------|------------|------------|-----------|-----------|-----------|-----------|------------|---------|----------|----------|------|
|      |                      |          | KQ05J10B-3 | KQ06J10B-3 | KQ08J10B-3 | SQ05J10B-3 | SQ06J10B-3 | SQ08J10C-1 | XQ05J10-3 | XQ06J10-3 | XQ07J10-1 | XQ08J10-1 | YQ06J10A-1 | ZQ5A10A | ZQ07A10A | ZQ08A10B |      |
| *    | SCREW, FAN MTR. MT.  | 21004672 | 3          | 3          | 3          | 3          | 3          | 3          | 3         | 3         | 3         | 3         |            |         |          |          | 999  |
| 33   | FAN MOTOR MOUNT      | 67303604 |            |            |            |            |            |            |           |           |           |           |            |         | 1        | 1        | 900  |
| 33   | FAN MOTOR MOUNT      | 67303602 |            |            |            |            |            |            |           |           |           |           | 1          | 1       |          |          | 900  |
| 34   | CONTROL MT. BRACKET  | 61619612 | 1          | 1          | 1          | 1          | 1          | 1          |           |           |           | 1         |            |         |          |          | 763  |
| 34   | CONTROL MT. BRACKET  | 61923900 |            |            |            |            |            |            | 1         | 1         | 1         | 1         |            |         |          |          | 763  |
| 35   | CONTROL BOX ASSLY    | 67305304 |            |            |            |            |            |            |           |           |           |           | 1          | 1       |          |          | 763  |
| 35   | CONTROL BOX ASSLY    | 67305301 |            |            |            |            |            |            |           |           |           |           |            |         | 1        |          | 763  |
| 35   | CONTROL BOX ASSLY    | 67305303 |            |            |            |            |            |            |           |           |           |           |            |         |          | 1        | 763  |
| 36   | COVER, RIS CTR. BOX  | 67300304 |            |            |            |            |            |            |           |           |           |           |            |         | 1        | 1        | 747  |
| 37   | CONTROL DEC. PANEL   | 61715914 | 1          | 1          | 1          |            |            |            |           |           |           |           |            |         |          |          | 760  |
| 37   | CONTROL DEC. PANEL   | 61715915 |            |            |            | 1          | 1          | 1          | 1         |           |           |           |            |         |          |          | 760  |
| 37   | CONTROL DEC. PANEL   | 61715916 |            |            |            |            |            |            |           |           |           | 1         |            |         |          |          | 760  |
| 37   | CONTROL DEC. PANEL   | 67305501 |            |            |            |            |            |            |           |           |           | 1         |            | 1       | 1        |          | 760  |
| 38   | PANEL ASSLY, LIS     | 61924900 | 1          | 1          | 1          | 1          | 1          | 1          | 1         | 1         | 1         | 1         |            |         |          |          | 765  |
| 39   | CONTROL KNOBS        | 61911600 | 2          | 2          | 2          | 2          | 2          | 2          |           |           |           | 2         |            |         |          |          | 761  |
| 39   | CONTROL KNOBS        | 67304100 |            |            |            |            |            |            |           |           |           |           | 2          | 2       |          |          | 761  |
| 39   | CONTROL KNOBS        | 67304103 |            |            |            |            |            |            |           |           |           |           |            |         | 2        | 2        | 761  |
| *    | HOLDER, TSTAT BULB   | 61900500 | 1          | 1          | 1          | 1          | 1          | 1          |           |           |           | 1         |            |         |          |          | 764  |
| *    | HOLDER, THERMISTER   | 61925001 |            |            |            |            |            |            | 1         | 1         | 1         | 1         |            |         |          |          | 764  |
| 40   | FILTER, AIR          | 61632302 | 1          | 1          | 1          | 1          | 1          | 1          | 1         | 1         | 1         | 1         |            |         |          |          | 754  |
| 40   | FILTER, AIR          | 67304300 |            |            |            |            |            |            |           |           |           |           | 1          | 1       |          |          | 754  |
| 40   | FILTER, AIR          | 67304302 |            |            |            |            |            |            |           |           |           |           |            |         | 1        | 1        | 754  |
| 41   | EXHAUST SLIDE BUTTON | 61923800 |            |            |            |            |            |            | 1         | 1         | 1         | 1         |            |         |          |          | 761  |
| *    | HOLE LINER, EXHAUST  | 61924400 |            |            |            |            |            |            | 1         | 1         | 1         | 1         |            |         |          |          | 999  |
| *    | SLIDER SNAP, EXHAUST | 61923801 |            |            |            |            |            |            | 1         | 1         | 1         | 1         |            |         |          |          | 999  |
| *    | LINK, EXHAUST        | 61927600 |            |            |            |            |            |            | 1         | 1         | 1         | 1         |            |         |          |          | 811  |
| *    | EXHAUST DOOR         | 61632200 |            |            |            |            |            |            | 1         | 1         | 1         | 1         |            |         |          |          | 810  |
| *    | WIRE CLIP, EXHAUST   | 60301800 |            |            |            |            |            |            | 1         | 1         | 1         | 1         |            |         |          |          | 999  |
| *    | EXHAUST DOOR         | 61632200 |            |            |            | 1          | 1          | 1          |           |           |           |           |            |         |          |          | 810  |
| *    | WIRE CLIP, EXHAUST   | 60301800 |            |            |            | 1          | 1          | 1          |           |           |           |           |            |         |          |          | 999  |
| *    | CHANNEL, EXHAUST     | 61656200 |            |            |            | 1          | 1          | 1          |           |           |           |           |            |         |          |          | 999  |
| *    | SLIDE, EXHAUST       | 61638000 |            |            |            | 1          | 1          | 1          |           |           |           |           |            |         |          |          | 761  |
| *    | LINK, EXHAUST        | 61639300 |            |            |            | 1          | 1          | 1          |           |           |           |           |            |         |          |          | 811  |
| 41   | BUTTON, EXHAUST      | 61911700 |            |            |            | 1          | 1          | 1          |           |           |           |           |            |         |          |          | 814  |
| 42   | DAMPER, EXHAUST      | 67303502 |            |            |            |            |            |            |           |           |           |           |            |         | 1        | 1        | 810  |
| 43   | FRONT, DECORATIVE    | 61637706 | 1          | 1          | 1          |            |            |            |           |           |           |           |            |         |          |          | 750  |
| 43   | FRONT, DECORATIVE    | 61637708 |            |            |            | 1          | 1          | 1          | 1         | 1         | 1         | 1         |            |         |          |          | 750  |
| 43   | FRONT, DECORATIVE    | 67306003 |            |            |            |            |            |            |           |           |           |           | 1          | 1       |          |          | 750  |
| 43   | FRONT, DECORATIVE    | 67306002 |            |            |            |            |            |            |           |           |           |           |            |         | 1        | 1        | 750  |
| 44   | LOUVER, VERTICAL     | 61626704 | 8          | 8          | 8          | 8          | 8          | 8          | 8         | 8         | 8         | 8         |            |         |          |          | 882  |
| 44   | LOUVER, VERTICAL     | 67304500 |            |            |            |            |            |            |           |           |           |           | 2          | 2       |          |          | 882  |
| 44   | LOUVER, VERTICAL     | 67306250 |            |            |            |            |            |            |           |           |           |           |            |         | 2        | 2        | 882  |
| 45   | LOUVER, VERTICAL CTR | 61626705 | 2          | 2          | 2          | 2          | 2          | 2          | 2         | 2         | 2         | 2         |            |         |          |          | 882  |
| 46   | PIVOT PIECE          | 61493801 | 2          | 2          | 2          | 2          | 2          | 2          | 2         | 2         | 2         | 2         |            |         |          |          | 999  |

\* PARTS NOT SHOWN

## PORTABLE "Q" SERIES

| REF. | DESCRIPTION              | PART NO. | KSTAR      |            |            | QSTAR      |            |            | XSTAR     |           |           | YSTAR     | ZSTAR      |          |          |          | CODE |
|------|--------------------------|----------|------------|------------|------------|------------|------------|------------|-----------|-----------|-----------|-----------|------------|----------|----------|----------|------|
|      |                          |          | KQ05J10B-3 | KQ06J10B-3 | KQ08J10B-3 | SQ05J10B-3 | SQ06J10B-3 | SQ08J10C-1 | XQ05J10-3 | XQ06J10-3 | XQ07J10-1 | XQ08J10-1 | YQ06J10A-1 | ZQ05A10A | ZQ07A10A | ZQ08A10B |      |
| 45   | LOUVER, VERTICAL CTR.    | 67304501 |            |            |            |            |            |            |           |           |           |           | 2          | 2        |          |          | 882  |
| 47   | LOUVER, HORIZONTAL       | 67306250 |            |            |            |            |            |            |           |           |           |           |            |          | 1        | 1        | 881  |
| 48   | CONNECTOR RAIL           | 67304600 |            |            |            |            |            |            |           |           |           |           | 2          | 2        |          |          | 999  |
| 48   | CONNECTOR RAIL           | 61626802 | 2          | 2          | 2          | 2          | 2          | 2          | 2         | 2         | 2         | 2         |            |          |          |          | 999  |
| 49   | GRILLE, DISCHARGE        | 61626602 | 2          | 2          | 2          | 2          | 2          | 2          | 2         | 2         | 2         | 2         |            |          |          |          | 881  |
| 50   | SHELL, OUTER             | 61623000 | 1          | 1          | 1          | 1          | 1          | 1          | 1         | 1         | 1         | 1         |            |          |          |          | 720  |
| 51   | ANGLE, TOP SUPPORT       | 61627303 | 1          | 1          | 1          | 1          | 1          | 1          | 1         | 1         | 1         | 1         |            |          |          |          | 999  |
| 52   | CHANNEL, SILL            | 61627201 | 1          | 1          | 1          | 1          | 1          | 1          | 1         | 1         | 1         | 1         |            |          |          |          | 999  |
| 50   | SHELL, OUTER             | 67303704 |            |            |            |            |            |            |           |           |           |           | 1          | 1        |          |          | 770  |
| 50   | SHELL, OUTER             | 67303703 |            |            |            |            |            |            |           |           |           |           |            |          | 1        | 1        | 770  |
| *    | SCRIPT, FRIEDRICH        | 60169103 |            |            |            | 1          | 1          | 1          | 1         | 1         | 1         | 1         |            |          |          |          | 999  |
| *    | SCRIPT, FRIEDRICH        | 60169105 | 1          | 1          | 1          |            |            |            |           |           |           |           |            |          |          |          | 999  |
| 51A  | GASKET, CHASSIS SEAL     | 61717300 | 1          | 1          | 1          | 1          | 1          | 1          | 1         | 1         | 1         | 1         | 1          | 1        | 1        | 1        | 780  |
| 51B  | GASKET, WINDOW SEAL      | 60073300 | 1          | 1          | 1          | 1          | 1          | 1          | 1         | 1         | 1         | 1         | 1          | 1        | 1        | 1        | 780  |
| *    | BAG ASSLY (SCREWS)       | 61778700 | 1          | 1          | 1          | 1          | 1          | 1          | 1         | 1         | 1         | 1         |            |          |          |          | 999  |
| *    | BAG ASSLY (SCREWS)       | 61778701 |            |            |            |            |            |            |           |           |           |           | 1          |          |          |          | 999  |
| *    | COUNTER WEIGHT           | 61715800 | 2          | 2          | 2          | 2          | 2          | 2          | 2         | 2         | 2         | 2         |            |          |          |          | 999  |
| *    | SEAL, FAN MOTOR          | 60217902 | 1          | 1          | 1          | 1          | 1          | 1          | 1         | 1         | 1         | 1         |            |          |          |          | 780  |
| 52   | GROMMET, COMP. MT.       | 61028900 | 3          | 3          | 3          | 3          | 3          | 3          | 3         | 3         | 3         | 3         |            |          |          |          | 790  |
| 53   | SCREW, COMP. MT.         | 91400400 | 3          | 3          | 3          | 3          | 3          | 3          | 3         | 3         | 3         | 3         |            |          |          |          | 999  |
| 52   | GROMMET, COMP. MT.       | 67301900 |            |            |            |            |            |            |           |           |           |           | 3          | 3        | 3        | 3        | 790  |
| 54   | NUT, COMP. MT.           | 67301700 |            |            |            |            |            |            |           |           |           |           | 3          | 3        | 3        | 3        | 999  |
| 55   | WASHER, COMP. MT.        | 67301800 |            |            |            |            |            |            |           |           |           |           | 3          | 3        | 3        | 3        | 999  |
| 56   | CURTAIN ASSLY.           | 61680203 | 2          | 2          | 2          | 2          | 2          | 2          | 2         | 2         | 2         | 2         |            |          |          |          | 999  |
| 57   | CURTAIN, FRAME L\IS      | 61627407 | 1          | 1          | 1          | 1          | 1          | 1          | 1         | 1         | 1         | 1         |            |          |          |          | 999  |
| 57   | CURTAIN, FRAME R\IS      | 61627406 | 1          | 1          | 1          | 1          | 1          | 1          | 1         | 1         | 1         | 1         |            |          |          |          | 999  |
| 57   | CURTAIN, FRAME L\IS ASSY | 67303800 |            |            |            |            |            |            |           |           |           |           | 1          | 1        |          |          | 999  |
| 56   | CURTAIN, FRAME R\IS ASSY | 67303801 |            |            |            |            |            |            |           |           |           |           | 1          | 1        |          |          | 999  |
| 57   | CURTAIN,FRAME L\IS ASSY  | 67303802 |            |            |            |            |            |            |           |           |           |           |            |          | 1        | 1        | 999  |
| 56   | CURTAIN,FRAME R\IS ASSY  | 67303803 |            |            |            |            |            |            |           |           |           |           |            |          | 1        | 1        | 999  |
| 58   | UPPER GUIDE              | 67304000 |            |            |            |            |            |            |           |           |           |           | 1          | 1        |          |          | 999  |
| 59   | LOWER BRACKET            | 67303901 |            |            |            |            |            |            |           |           |           |           | 1          | 1        |          |          | 999  |
| 58   | UPPER GUIDE              | 67304002 |            |            |            |            |            |            |           |           |           |           |            |          | 1        | 1        | 999  |
| 63   | BRACKET, ANGLE           | 67306500 |            |            |            |            |            |            |           |           |           |           |            |          | 2        | 2        | 999  |
| 60   | NUT                      | 67306700 |            |            |            |            |            |            |           |           |           |           |            |          | 2        | 2        | 999  |
| 61   | BOLT                     | 67306600 |            |            |            |            |            |            |           |           |           |           |            |          | 2        | 2        | 999  |
| 62   | FRAME GUIDE              | 67306400 |            |            |            |            |            |            |           |           |           |           |            |          | 2        | 2        | 999  |
| 63   | DRAIN PIPE               | 67307000 |            |            |            |            |            |            |           |           |           |           |            |          | 1        | 1        | 800  |
| 64   | WASHER                   | 67306902 |            |            |            |            |            |            |           |           |           |           |            |          | 1        | 1        | 999  |
| 65   | RUBBER GASKET            | 67307100 |            |            |            |            |            |            |           |           |           |           |            |          | 1        | 1        | 999  |
| *    | CARTON, SHIPPING         | 61902000 | 1          | 1          | 1          | 1          | 1          | 1          | 1         | 1         | 1         | 1         |            |          |          |          | 999  |
| *    | PAD, SHIPPING TOP        | 61716400 | 1          | 1          | 1          | 1          | 1          | 1          | 1         | 1         | 1         | 1         |            |          |          |          | 999  |
| *    | PAD, SHIPPING BOTTOM     | 61710001 | 1          | 1          | 1          | 1          | 1          | 1          | 1         | 1         | 1         | 1         |            |          |          |          | 999  |

\* PARTS NOT SHOWN

## PORTABLE "Q" SERIES

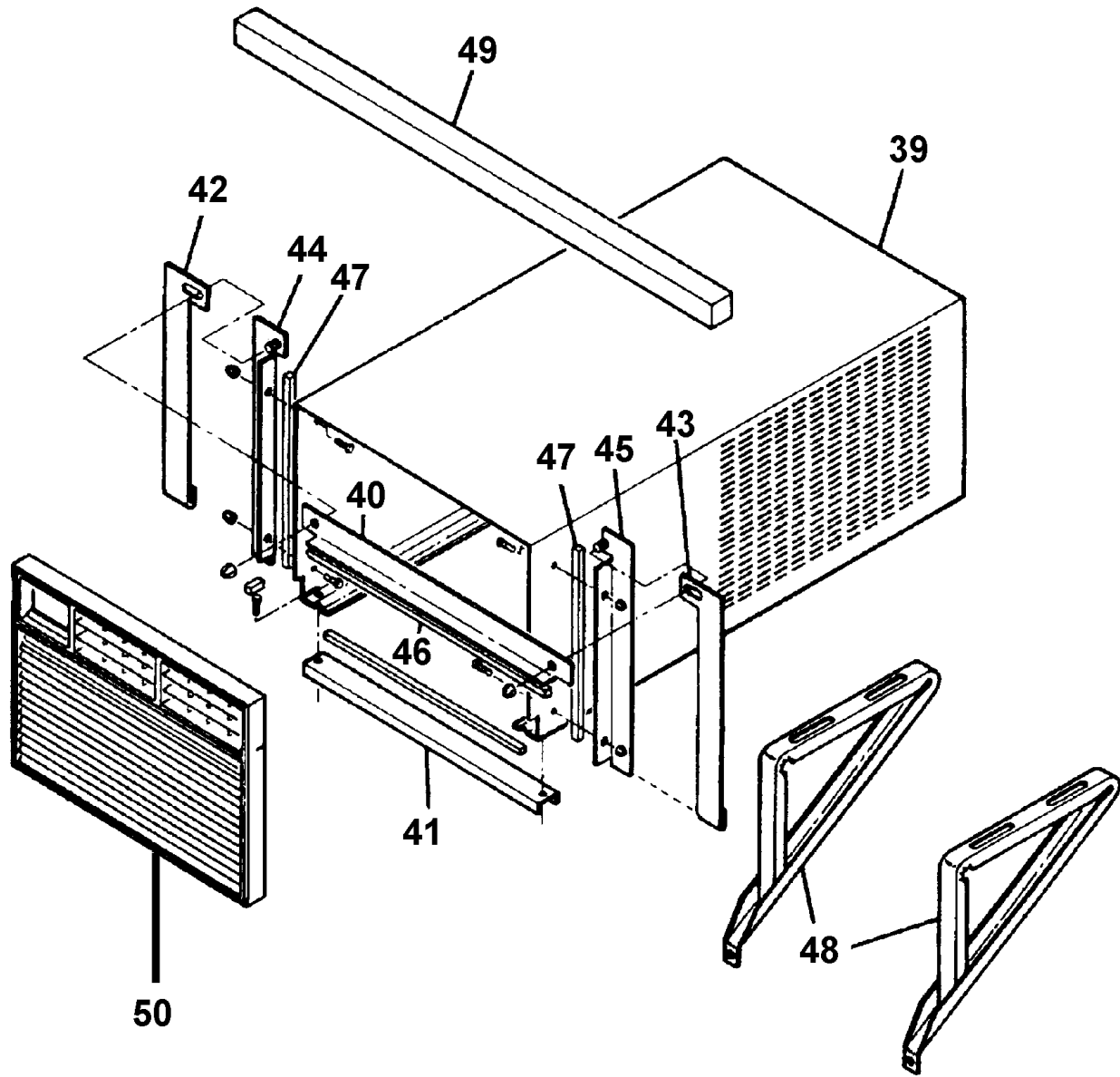
| REF.                            | DESCRIPTION             | PART NO. | KSTAR      |            |            | QSTAR      |            |            | XSTAR     |           |           |           | YSTAR      | ZSTAR    |          |          |          | CODE |
|---------------------------------|-------------------------|----------|------------|------------|------------|------------|------------|------------|-----------|-----------|-----------|-----------|------------|----------|----------|----------|----------|------|
|                                 |                         |          | KQ05J10B-3 | KQ06J10B-3 | KQ08J10B-3 | SQ05J10B-3 | SQ06J10B-3 | SQ08J10C-1 | XQ05J10-3 | XQ06J10-3 | XQ07J10-1 | XQ08J10-1 | YQ06J10A-1 | ZQ05A10A | ZQ07A10A | ZQ08A10B | ZQ10A10A |      |
| <b>OPTIONAL ACCESSORY ITEMS</b> |                         |          |            |            |            |            |            |            |           |           |           |           |            |          |          |          |          |      |
| *                               | WINDOW KIT              | 67306302 |            |            |            |            |            |            |           |           |           |           |            |          |          | 1        |          |      |
| *                               | WINDOW KIT              | 67306304 |            |            |            |            |            |            |           |           |           |           |            | 1        | 1        |          |          |      |
|                                 | WINDOW KIT              | 67306303 |            |            |            |            |            |            |           |           |           |           |            |          | 1        |          |          |      |
| *                               | WINDOW MOUNT KIT        | 61623100 |            |            |            |            |            |            |           |           |           | 1         |            |          |          |          |          |      |
| *                               | ANTI-ICE KIT            | 61680600 | 1          | 1          | 1          | 1          | 1          | 1          |           |           |           |           |            |          |          |          |          |      |
| *                               | START ASSIST (PTCR)     | 61008903 | 1          | 1          | 1          | 1          | 1          | 1          | 1         | 1         | 1         |           |            | 1        | 1        | 1        |          |      |
| *                               | START ASSIST (PTCR)     | 61883800 |            |            |            |            |            |            |           |           |           | 1         |            |          |          |          |          |      |
| *                               | DRAIN KIT, DC-2         | O1900235 | 1          | 1          | 1          | 1          | 1          | 1          | 1         | 1         | 1         | 1         |            |          |          |          |          |      |
| *                               | INSTALLION BOOK         | 92013849 | 1          | 1          | 1          | 1          | 1          | 1          | 1         | 1         | 1         | 1         | 1          |          |          |          |          |      |
| *                               | INSTALLION BOOK         | 92003401 | 1          | 1          | 1          | 1          | 1          | 1          | 1         | 1         | 1         | 1         | 1          |          |          |          |          |      |
| *                               | OPERATION BOOK          | 92000404 | 1          | 1          | 1          | 1          | 1          | 1          |           |           |           |           |            |          |          |          |          |      |
| *                               | OPERATION BOOK          | 92000303 |            |            |            |            |            |            |           |           |           | 1         |            |          |          |          |          |      |
| *                               | OPERATION BOOK          | 92011500 |            |            |            |            |            |            | 1         | 1         | 1         | 1         |            |          |          |          |          |      |
| *                               | INSTALLATION/OPER. BOOK | 92011800 |            |            |            |            |            |            |           |           |           |           |            |          | 1        | 1        |          |      |
| *                               | PARTS MANUAL            | 92013200 | 1          | 1          | 1          | 1          | 1          | 1          | 1         | 1         | 1         | 1         | 1          | 1        | 1        | 1        |          |      |
| *                               | SERVICE MANUAL          | 92013100 | 1          | 1          | 1          | 1          | 1          | 1          | 1         | 1         | 1         | 1         | 1          | 1        | 1        | 1        |          |      |

\* PARTS NOT SHOWN

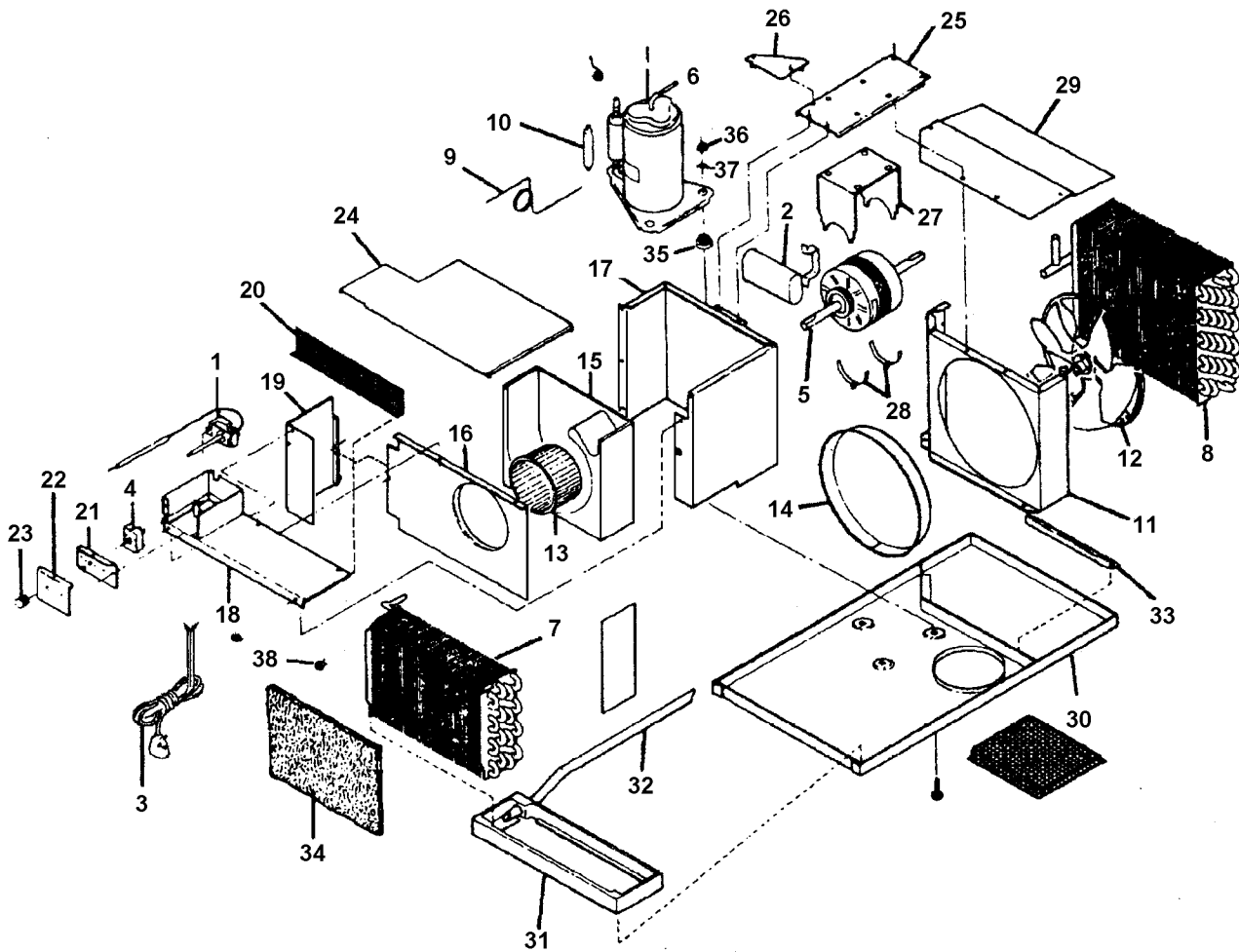
*"C" SERIES  
CASEMENT CHASSIS  
ROOM AIR  
CONDITIONER  
SECTION*



# "SC" SERIES CABINET & MOUNTING PARTS



# "SC" SERIES CHASSIS PARTS



## CASEMENT CHASSIS "SC" SERIES PARTS LIST

| REF.                              | DESCRIPTION                 | PART NO. | CASEMEN         | CODE |
|-----------------------------------|-----------------------------|----------|-----------------|------|
|                                   | <b>ELECTRICAL PARTS</b>     |          | <b>SC06H10D</b> |      |
| 1                                 | THERMOSTAT                  | 61350305 | 1               | 120  |
| *                                 | OVERLOAD                    | 60364583 | 1               | 190  |
| 2                                 | CAPACITOR                   | 61380378 | 1               | 150  |
| 3                                 | SUPPLY CORD                 | 60500094 | 1               | 220  |
| 4                                 | SWITCH                      | 60895102 | 1               | 130  |
| 5                                 | FAN MOTOR                   | 60571468 | 1               | 110  |
| <b>REFRIGERATION SYSTEM PARTS</b> |                             |          |                 |      |
| 6                                 | COMPRESSOR                  | 61562519 | 1               | 600  |
| 7                                 | EVAPORATOR COIL             | 61600204 | 1               | 400  |
| 8                                 | CONDENSER COIL              | 61600347 | 1               | 410  |
| 9                                 | CAPILLARY TUBE              | 03760452 | 1               | 471  |
| 10                                | FILTER DRIER (LIQUID)       | 61481300 | 1               | 480  |
| <b>CHASSIS SYSTEM PARTS</b>       |                             |          |                 |      |
| 11                                | SHROUD, CONDENSER           | 61076204 | 1               | 720  |
| 12                                | FAN BLADE, COND.            | 60063411 | 1               | 710  |
| 13                                | BLOWER WHEEL, EVAP.         | 60415201 | 1               | 700  |
| 14                                | RING, ORIFICE               | 60232200 | 1               | 738  |
| 15                                | WRAPPER, BLOWER             | 61107600 | 1               | 741  |
| 16                                | FRONT, BLOWER               | 61076501 | 1               | 742  |
| 17                                | HOUSING, BLOWER             | 61076801 | 1               | 740  |
| 18                                | DECK                        | 61077702 | 1               | 745  |
| 19                                | PANEL ASSEMBLY, LIS         | 61077301 | 1               | 747  |
| 20                                | SCREEN, BLOWER GUARD        | 61109001 | 1               | 774  |
| 21                                | BRACKET, CONTROL MOUNTING   | 61075902 | 1               | 999  |
| 22                                | PANEL, CONTROL (DECORATIVE) | 60416203 | 1               | 760  |
| 23                                | KNOB, CONTROL               | 61493903 | 2               | 761  |
| 24                                | COVER, BULKHEAD ASSLY.      | 61076302 | 1               | 746  |
| 25                                | BRACE, COND. SHROUD         | 61075502 | 1               | 722  |
| 26                                | COVER, CAPACITOR            | 61074904 | 1               | 999  |
| 27                                | MOUNT, MOTOR                | 61645402 | 1               | 900  |
| 28                                | CLIP, MOTOR MOUNT           | 01060445 | 2               | 999  |
| 29                                | COVER, CONDENSER SHROUD     | 61076101 | 1               | 721  |
| 30                                | BASE PAN ASSLY.             | 61498705 | 1               | 730  |
| 31                                | DRAIN PAN                   | 60199801 | 1               | 840  |
| 32                                | TUBE, DRAIN                 | 60203200 | 1               | 800  |
| 33                                | GUARD, SPLASH               | 61440300 | 1               | 999  |
| 34                                | FILTER, AIR                 | 60483801 | 1               | 754  |

\* PARTS NOT SHOWN

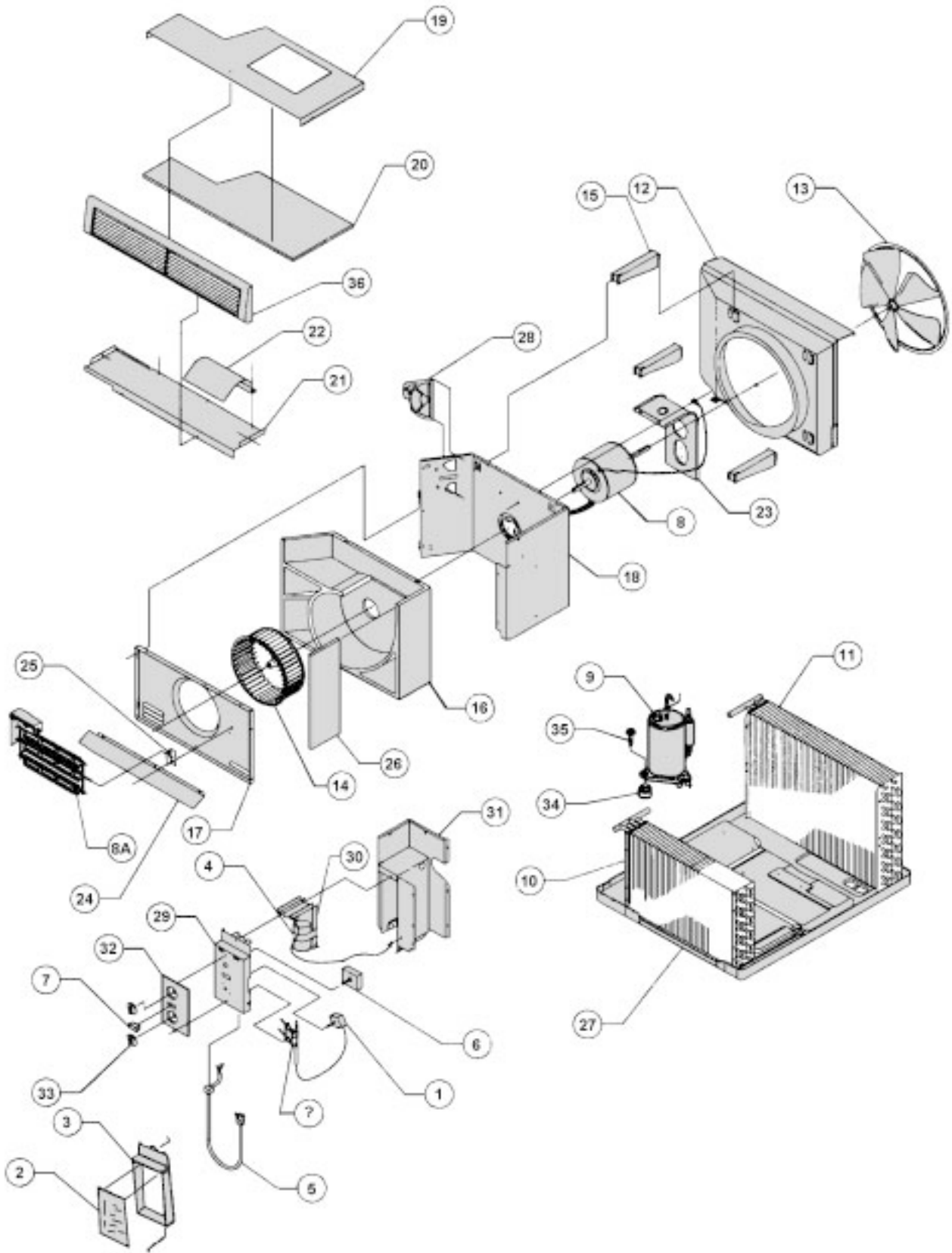
## CASEMENT CHASSIS "SC" SERIES PARTS LIST

| REF.                              | DESCRIPTION                      | PART NO. | CASEMEN  | CODE |
|-----------------------------------|----------------------------------|----------|----------|------|
|                                   | <b>CHASSIS SYSTEM PARTS</b>      |          | SC06H10D |      |
| 35                                | GROMMET, COMPRESSOR              | 01150931 | 3        | 790  |
| 36                                | NUT, COMPRESSOR                  | 91002300 | 3        | 999  |
| 37                                | WASHER, COMPRESSOR MT.           | 01423005 | 3        | 999  |
| 38                                | CLIP, THERMOSTAT                 | 61715100 | 1        | 764  |
| 39                                | SHELL ASSEMBLY                   | 61580900 | 1        | 770  |
| 40                                | ANGLE, SHELL TOP SUPPORT         | 61427001 | 1        | 999  |
| 41                                | SILL PLATE                       | 61074800 | 1        | 999  |
| 42                                | ANGLE, WINGBOARD ASSEMBLY (L/S)  | 61427200 | 1        | 999  |
| 43                                | ANGLE, WINGBOARD ASSEMBLY (R/S)  | 61427201 | 1        | 999  |
| 44                                | ANGLE ASSEMBLY - LEFT SIDE STUD  | 61427101 | 1        | 999  |
| 45                                | ANGLE ASSEMBLY - RIGHT SIDE STUD | 61427103 | 1        | 999  |
| 46                                | GASKET, ANGLE TOP SHELL SUPPORT  | 60467399 | 1        | 780  |
| 47                                | GASKET, WINGBOARDS               | 60467377 | 2        | 78   |
| 48                                | BRACKETS, SUPPORT                | 61109503 | 2        | 999  |
| *                                 | SCRIPT, FRIEDRICH                | 60169101 | 1        | 999  |
| *                                 | NUT, FRIEDRICH SCRIPT            | 91002900 | 2        | 999  |
| 49                                | GASKET, CHASSIS                  | 60073301 | 1        | 780  |
| 50                                | FRONT, DECORATIVE                | 61077501 | 1        | 750  |
| *                                 | HARDWARE KIT                     | 60714305 | 1        | 999  |
| *                                 | SHIPPING CARTON                  | 61630610 | 1        | 999  |
| *                                 | PAD, SHIPPING TOP                | 61630802 | 1        | 999  |
| *                                 | PAD, SHIPPING TOP                | 61632000 | 1        | 999  |
| *                                 | PAD, SHIPPING VERTICAL           | 61631900 | 1        | 999  |
| *                                 | PAD, SHIPPING VERTICAL           | 61631901 | 1        | 999  |
| <b>OPTIONAL ACCESSORIES PARTS</b> |                                  |          |          |      |
| *                                 | ANTI-ICE KIT                     | 60553104 | 1        |      |
| *                                 | START KIT                        | 61008903 | 1        |      |
| *                                 | INSTALLATION BOOK                | 92003500 | 1        |      |
| *                                 | OPERATION BOOK                   | 92000604 | 1        |      |
| *                                 | PARTS MANUAL                     | 92013200 | 1        |      |
| *                                 | SERVICE MANUAL                   | 92013100 | 1        |      |

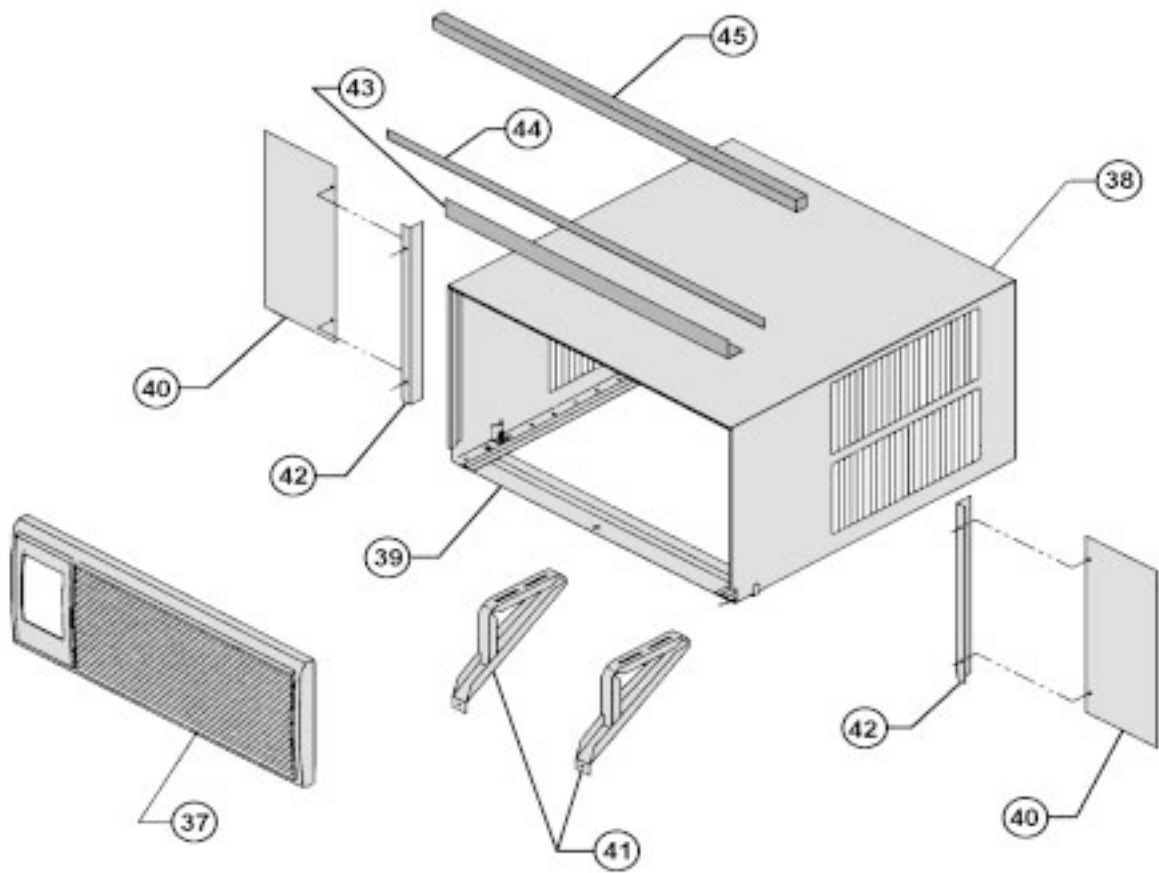
\* PARTS NOT SHOWN

*"S" SERIES  
115V / 230 V  
SMALL CHASSIS  
ROOM AIR  
CONDITIONER  
SECTION*

# SMALL CHASSIS "S" SERIES CHASSIS PARTS (EK, ES, KS, RS, SS & YS)



# SMALL CHASSIS "S" SERIES CHASSIS PARTS (EK, ES, KS, RS, SS & YS)



## SMALL CHASSIS "S" SERIES PARTS LIST

| REF.                              | DESCRIPTION         | PART NO. | KS115     |           |            | RS115     |           |            | SS 115     |            |            |             | YS115     | CODE |     |
|-----------------------------------|---------------------|----------|-----------|-----------|------------|-----------|-----------|------------|------------|------------|------------|-------------|-----------|------|-----|
|                                   |                     |          | KS10J10-1 | KS10J10-3 | KS12J10A-1 | RS10J10-1 | RS10J10-3 | RS12J10A-1 | SS08J10R-1 | SS09J10B-1 | SS10J10R-1 | SS12J10AR-1 | YS09J10-1 |      |     |
| <b>ELECTRICAL PARTS</b>           |                     |          |           |           |            |           |           |            |            |            |            |             |           |      |     |
| 1                                 | THERMOSTAT          | 61822500 | 1         | 1         | 1          | 1         | 1         | 1          |            |            |            |             |           |      | 120 |
| 1                                 | THERMOSTAT          | 61822400 |           |           |            |           |           |            |            |            |            |             |           | 1    | 120 |
| *                                 | THERMOSTAT, DEFROST | 61350313 |           |           |            |           |           |            |            |            |            |             |           | 1    | 122 |
| 2                                 | ELECTRONIC CTRL.    | 61921100 |           |           |            |           |           |            | 1          | 1          | 1          | 1           |           |      | 331 |
| *                                 | REMOTE CONTROL      | 61826602 |           |           |            |           |           |            | 1          |            | 1          | 1           |           |      | 350 |
| 3                                 | RESISTOR            | 61808000 | 1         | 1         | 1          | 1         | 1         | 1          |            |            |            |             |           | 1    | 200 |
| *                                 | OVERLOAD            | 60364598 | 1         |           |            |           |           |            |            |            |            |             |           |      | 190 |
| *                                 | OVERLOAD            | 61764519 |           | 1         |            |           | 1         |            |            |            |            |             |           |      | 190 |
| *                                 | OVERLOAD            | 61764504 |           |           | 1          |           |           | 1          |            |            |            |             | 1         |      | 190 |
| *                                 | OVERLOAD            | 60364594 |           |           |            | 1         |           |            |            |            | 1          |             |           | 1    | 190 |
| *                                 | OVERLOAD            | 61764507 |           |           |            |           |           |            | 1          |            |            |             |           |      | 190 |
| *                                 | OVERLOAD            | 61764510 |           |           |            |           |           |            |            | 1          |            |             |           |      | 190 |
| 4                                 | CAPACITOR           | 61080338 | 1         |           |            | 1         |           |            |            |            | 1          |             |           | 1    | 150 |
| 4                                 | CAPACITOR           | 61080335 |           | 1         | 1          |           | 1         | 1          | 1          | 1          |            |             | 1         |      | 150 |
| 6                                 | SUPPLY CORD         | 60500054 | 1         | 1         |            | 1         | 1         | 1          | 1          | 1          | 1          | 1           | 1         | 1    | 220 |
| 6                                 | SUPPLY CORD         | 60500053 |           |           | 1          |           |           |            |            |            |            |             |           |      | 220 |
| 6                                 | SWITCH              | 60607203 | 1         | 1         | 1          |           |           |            |            |            |            |             |           |      | 130 |
| 6                                 | SWITCH              | 60607205 |           |           |            | 1         | 1         | 1          |            |            |            |             |           |      | 130 |
| 6                                 | SWITCH              | 60607204 |           |           |            |           |           |            |            |            |            |             |           | 1    | 130 |
| 7                                 | SWITCH (YES - NO)   | 61806102 | 1         | 1         | 1          | 1         | 1         | 1          |            |            |            |             |           | 1    | 132 |
| 8                                 | FAN MOTOR           | 61071480 | 1         | 1         |            |           |           |            |            |            |            |             |           |      | 110 |
| 8                                 | FAN MOTOR           | 61071493 |           |           | 1          |           |           |            |            |            |            |             |           | 1    | 110 |
| 8                                 | FAN MOTOR           | 61071476 |           |           |            | 1         | 1         |            | 1          | 1          | 1          |             |           |      | 110 |
| 8                                 | FAN MOTOR           | 61071479 |           |           |            |           |           | 1          |            |            |            |             | 1         |      | 110 |
| *                                 | SOLENOID COIL       | 25018800 |           |           |            |           |           |            |            |            |            |             |           | 1    | 240 |
| <b>REFRIGERATION SYSTEM PARTS</b> |                     |          |           |           |            |           |           |            |            |            |            |             |           |      |     |
| 9                                 | COMPRESSOR          | 61562809 | 1         |           |            |           |           |            |            |            |            |             |           |      | 600 |
| 9                                 | COMPRESSOR          | 61716611 |           | 1         |            |           | 1         |            |            |            |            |             |           |      | 600 |
| 9                                 | COMPRESSOR          | 61562838 |           |           | 1          |           |           | 1          |            |            |            |             | 1         |      | 600 |
| 9                                 | COMPRESSOR          | 61562802 |           |           |            | 1         |           |            |            |            | 1          |             |           |      | 600 |
| 9                                 | COMPRESSOR          | 61562832 |           |           |            |           |           |            | 1          |            |            |             |           |      | 600 |
| 9                                 | COMPRESSOR          | 61562833 |           |           |            |           |           |            |            | 1          |            |             |           |      | 600 |
| 9                                 | COMPRESSOR          | 61562807 |           |           |            |           |           |            |            |            |            |             |           | 1    | 600 |
| 10                                | EVAPORATOR COIL     | 61850101 | 1         | 1         |            |           |           |            | 1          |            |            |             |           |      | 400 |
| 10                                | EVAPORATOR COIL     | 61850100 |           |           | 1          | 1         | 1         | 1          |            | 1          | 1          | 1           | 1         | 1    | 400 |
| 11                                | CONDENSER COIL      | 61850303 | 1         | 1         |            |           |           |            | 1          |            |            |             |           |      | 410 |
| 11                                | CONDENSER COIL      | 61850217 |           |           | 1          |           |           |            |            |            |            |             |           |      | 410 |
| 11                                | CONDENSER COIL      | 61850302 |           |           |            | 1         | 1         | 1          |            | 1          |            | 1           | 1         | 1    | 410 |
| 11                                | CONDENSER COIL      | 61850300 |           |           |            |           |           |            |            |            | 1          |             |           |      | 410 |
| *                                 | DRIER, LIQUID       | 60308101 | 1         | 1         | 1          | 1         | 1         | 1          | 1          | 1          | 1          | 1           | 1         |      | 480 |
| *                                 | DRIER, SUCTION      | 61828200 |           |           |            |           |           |            |            |            |            |             |           | 1    | 480 |
| *                                 | CHECK VALVE         | 61824400 |           |           |            |           |           |            |            |            |            |             |           | 1    | 510 |

\* PARTS NOT INCLUDED



## SMALL CHASSIS "S" SERIES PARTS LIST

| REF.                              | DESCRIPTION              | PART NO. | KS115     |           |            | RS115     |           |            | SS 115     |            |            |             | YS115     | CODE |
|-----------------------------------|--------------------------|----------|-----------|-----------|------------|-----------|-----------|------------|------------|------------|------------|-------------|-----------|------|
|                                   |                          |          | KS10J10-1 | KS10J10-3 | KS12J10A-1 | RS10J10-1 | RS10J10-3 | RS12J10A-1 | SS08J10R-1 | SS09J10B-1 | SS10J10R-1 | SS12J10AR-1 | YS09J10-1 |      |
| <b>REFRIGERATION SYSTEM PARTS</b> |                          |          |           |           |            |           |           |            |            |            |            |             |           |      |
| *                                 | REVERSING VALVE          | 25018200 |           |           |            |           |           |            |            |            |            |             | 1         | 500  |
| *                                 | CAPILLARY TUBE (HTG)     | 03760513 |           |           |            |           |           |            |            |            |            |             | 1         | 471  |
| *                                 | CAPILLARY TUBE (CLG)     | 03760554 |           |           |            |           |           |            |            |            |            |             | 1         | 471  |
| *                                 | CAPILLARY TUBE           | 03760520 |           | 1         | 1          | 1         |           | 1          |            |            |            |             | 1         | 471  |
| *                                 | CAPILLARY TUBE           | 03760473 |           |           |            |           | 1         |            |            |            |            | 1           |           | 471  |
| *                                 | CAPILLARY TUBE           | 01390212 | 1         |           |            |           |           |            |            | 1          |            |             |           | 471  |
| *                                 | CAPILLARY TUBE           | 03760548 |           |           |            |           |           |            | 1          |            |            |             |           | 471  |
| *                                 | CAPILLARY TUBE           | 03760511 |           |           |            |           | 1         |            |            |            |            |             |           | 471  |
| <b>CHASSIS SYSTEM PARTS</b>       |                          |          |           |           |            |           |           |            |            |            |            |             |           |      |
| 12                                | SHROUD, CONDENSER        | 61803600 | 1         | 1         | 1          | 1         | 1         | 1          | 1          | 1          | 1          | 1           | 1         | 720  |
| 13                                | FAN BLADE, CONDENSER     | 60542003 | 1         | 1         | 1          | 1         | 1         | 1          | 1          | 1          | 1          | 1           | 1         | 710  |
| 14                                | BLOWER WHEEL, EVAPORATOR | 60610603 | 1         | 1         |            |           |           | 1          | 1          | 1          |            | 1           | 1         | 700  |
| 14                                | BLOWER WHEEL, EVAPORATOR | 60610601 |           |           | 1          |           |           |            |            |            |            |             |           | 700  |
| 14                                | BLOWER WHEEL, EVAPORATOR | 60610607 |           |           |            | 1         | 1         |            |            |            | 1          |             |           | 700  |
| 15                                | BRACE, COND. SHROUD      | 61802600 | 3         | 3         | 3          | 3         | 3         | 3          | 3          | 3          | 3          | 3           | 3         | 722  |
| 16                                | SCROLL                   | 61814900 | 1         | 1         | 1          | 1         | 1         | 1          | 1          | 1          | 1          | 1           | 1         | 743  |
| 17                                | BLOWER FRONT             | 61817300 | 1         | 1         | 1          | 1         | 1         | 1          | 1          | 1          | 1          | 1           | 1         | 742  |
| *                                 | INSULATION, INNER WALL   | 61816900 | 1         | 1         | 1          | 1         | 1         | 1          | 1          | 1          | 1          | 1           | 1         | 781  |
| 18                                | INNER WALL               | 61907300 | 1         | 1         | 1          | 1         | 1         | 1          | 1          | 1          | 1          | 1           | 1         | 777  |
| 19                                | COVER, TOP               | 61906700 | 1         | 1         | 1          | 1         | 1         | 1          | 1          | 1          | 1          | 1           | 1         | 746  |
| 20                                | INSULATION, TOP COVER    | 61816701 | 1         | 1         | 1          | 1         | 1         | 1          | 1          | 1          | 1          | 1           | 1         | 781  |
| 21                                | DECK                     | 61817100 | 1         | 1         | 1          | 1         | 1         | 1          | 1          | 1          | 1          | 1           | 1         | 745  |
| 22                                | AIR FOIL                 | 61820200 | 1         | 1         | 1          | 1         | 1         | 1          | 1          | 1          | 1          | 1           | 1         | 744  |
| 23                                | MOUNT, FAN MOTOR         | 61802500 | 1         | 1         | 1          | 1         | 1         | 1          | 1          | 1          | 1          | 1           | 1         | 900  |
| 24                                | SHIELD, BOTTOM           | 61812900 |           |           |            |           |           |            |            |            |            |             | 1         | 999  |
| 25                                | BRACKET, HEATER MT.      | 61818900 |           |           |            |           |           |            |            |            |            |             | 1         | 999  |
| 26                                | SHIELD, SIDE             | 61821800 |           |           |            |           |           |            |            |            |            |             | 1         | 999  |
| 27                                | BASE PAN                 | 61803409 |           |           | 1          |           |           | 1          | 1          | 1          |            | 1           |           | 730  |
| 27                                | BASE PAN                 | 61803411 | 1         | 1         |            | 1         | 1         |            |            |            | 1          |             |           | 730  |
| 27                                | BASE PAN                 | 61809001 |           |           |            |           |           |            |            |            |            |             | 1         | 730  |
| *                                 | DRAIN PAN                | 61803800 | 1         | 1         | 1          | 1         | 1         | 1          | 1          | 1          | 1          | 1           | 1         | 840  |
| *                                 | BELLOWS, DRAIN VALVE     | 60179900 |           |           |            |           |           |            |            |            |            |             | 1         | 801  |
| *                                 | GRILLE, REAR             | 61818800 | 1         | 1         | 1          | 1         | 1         | 1          | 1          | 1          | 1          | 1           | 1         | 771  |
| 28                                | DOOR, SLIDE ASSLY.       | 61821500 | 1         | 1         | 1          | 1         | 1         | 1          | 1          | 1          | 1          | 1           | 1         | 810  |
| *                                 | CONNECTOR, SLIDE DOOR    | 61814800 | 1         | 1         | 1          | 1         | 1         | 1          | 1          | 1          | 1          | 1           | 1         | 811  |
| 29                                | PANEL, CTRL. MT.         | 61807200 | 1         | 1         | 1          | 1         | 1         | 1          |            |            |            |             | 1         | 999  |
| 29                                | PANEL, CTRL. MT.         | 61807201 |           |           |            |           |           |            | 1          | 1          | 1          | 1           |           | 999  |
| 30                                | BRACKET, CAP. MT         | 61820400 | 1         | 1         | 1          | 1         | 1         | 1          | 1          | 1          | 1          | 1           | 1         | 999  |
| *                                 | PANEL, LIS               | 61907000 | 1         | 1         | 1          | 1         | 1         | 1          | 1          | 1          | 1          | 1           | 1         | 999  |
| 31                                | PARTITION, CTRL. BOX     | 61802800 | 1         | 1         | 1          | 1         | 1         | 1          | 1          | 1          | 1          | 1           | 1         | 999  |
| 32                                | DECORATIVE PANEL         | 61822603 |           |           |            | 1         | 1         | 1          |            |            |            |             |           | 999  |
| *                                 | BUSHING, SUPPLY CORD     | 60071312 | 1         | 1         | 1          | 1         | 1         | 1          | 1          | 1          | 1          | 1           | 1         | 999  |

\* PARTS NOT SHOWN

## SMALL CHASSIS "S" SERIES PARTS LIST

| REF.                              | DESCRIPTION             | PART NO.   | KS115     |           |            | RS115     |           |            | SS 115     |            |            |             | YS115     | CODE |     |
|-----------------------------------|-------------------------|------------|-----------|-----------|------------|-----------|-----------|------------|------------|------------|------------|-------------|-----------|------|-----|
|                                   |                         |            | KS10J10-1 | KS10J10-3 | KS12J10A-1 | RS10J10-1 | RS10J10-3 | RS12J10A-1 | SS08J10R-1 | SS09J10B-1 | SS10J10R-1 | SS12J10AR-1 | YS09J10-1 |      |     |
| <b>CHASSIS SYSTEM PARTS</b>       |                         |            |           |           |            |           |           |            |            |            |            |             |           |      |     |
| 32                                | DECORATIVE PANEL        | 61822600   | 1         | 1         | 1          |           |           |            |            |            |            |             |           |      | 999 |
| 33                                | KNOBS, CTRL.            | 61493905   | 2         | 2         | 2          | 2         | 2         | 2          |            |            |            |             |           | 2    | 761 |
| *                                 | HOLDER, THERMISTER      | 61925001   |           |           |            |           |           |            | 1          | 1          | 1          | 1           |           |      | 764 |
| *                                 | HOLDER, AIR FILTER      | 61823000   | 2         | 2         | 2          | 2         | 2         | 2          | 2          | 2          | 2          | 2           | 2         | 2    | 756 |
| *                                 | FILTER, AIR             | 60865808   | 1         | 1         | 1          | 1         | 1         | 1          | 1          | 1          | 1          | 1           | 1         | 1    | 754 |
| *                                 | CLAMP, SUPPLY CORD      | 91500301   | 1         | 1         | 1          | 1         | 1         | 1          | 1          | 1          | 1          | 1           | 1         | 1    | 999 |
| *                                 | BRACKET, RESISTOR BLOCK | 61820600   | 1         | 1         | 1          | 1         | 1         | 1          |            |            |            |             |           | 1    | 999 |
| *                                 | GROMMET, SUCTION LINE   | 61807602   | 1         | 1         | 1          | 1         | 1         | 1          | 1          | 1          | 1          | 1           | 1         | 1    | 999 |
| 34                                | GROMMET, COMPRESSOR     | 61082900   | 3         | 3         | 3          | 3         | 3         | 3          | 3          | 3          | 3          | 3           | 3         | 3    | 790 |
| 35                                | SCREW, COMPRESSOR MT.   | 91400400   | 3         | 3         | 3          | 3         | 3         | 3          | 3          | 3          | 3          | 3           | 3         | 3    | 999 |
| *                                 | COUNTER WEIGHT          | 61715800   | 2         | 2         | 2          | 2         | 2         | 2          | 2          | 2          | 2          | 2           | 2         | 2    | 999 |
| 36                                | PLENUM ASSLY.           | 61810200   | 1         | 1         | 1          | 1         | 1         | 1          | 1          | 1          | 1          | 1           | 1         | 1    | 753 |
| *                                 | LEVER, FRESH & EXHAUST  | 61809200   | 1         | 1         | 1          | 1         | 1         | 1          | 1          | 1          | 1          | 1           | 1         | 1    | 999 |
| *                                 | KNOB, FRESH & EXHAUST   | 61809300   | 1         | 1         | 1          | 1         | 1         | 1          | 1          | 1          | 1          | 1           | 1         | 1    | 764 |
| 37                                | INTAKE GRILLE           | 61808900   | 1         | 1         | 1          | 1         | 1         | 1          | 1          | 1          | 1          | 1           | 1         | 1    | 772 |
| *                                 | LATCH, INTAKE GRILLE    | 61819900   | 2         | 2         | 2          | 2         | 2         | 2          | 2          | 2          | 2          | 2           | 2         | 2    | 999 |
| 38                                | OUTER SHELL ASSLY       | 61825700   | 1         | 1         | 1          | 1         | 1         | 1          | 1          | 1          | 1          | 1           | 1         | 1    | 770 |
| 39                                | SILL PLATE              | 61808403   | 1         | 1         | 1          | 1         | 1         | 1          | 1          | 1          | 1          | 1           | 1         | 1    | 999 |
| *                                 | CHASSIS GUIDE, SHELL    | 61819601   | 2         | 2         | 2          | 2         | 2         | 2          | 2          | 2          | 2          | 2           | 2         | 2    | 999 |
| *                                 | FRIEDRICH SCRIPT        | 60169105   | 1         | 1         | 1          | 1         | 1         | 1          | 1          | 1          | 1          | 1           | 1         | 1    | 999 |
| *                                 | PUSHNUTS, SCRIPT        | 91002900   | 2         | 2         | 2          | 2         | 2         | 2          | 2          | 2          | 2          | 2           | 2         | 2    | 999 |
| *                                 | ACCESSORY PKGE.         | 61105004   | 1         | 1         | 1          | 1         | 1         | 1          | 1          | 1          | 1          | 1           | 1         | 1    | 999 |
| 40                                | WINGBOARD               | 60294408   | 1         | 1         | 1          | 1         | 1         | 1          | 1          | 1          | 1          | 1           | 1         | 1    | 999 |
| 41                                | BRACKET, SUPPORT        | 61109503   | 2         | 2         | 2          | 2         | 2         | 2          | 2          | 2          | 2          | 2           | 2         | 2    | 999 |
| 42                                | ANGLE, WINGBOARD        | 61819801   | 2         | 2         | 2          | 2         | 2         | 2          | 2          | 2          | 2          | 2           | 2         | 2    | 999 |
| 43                                | ANGLE, TOP              | 61819701   | 1         | 1         | 1          | 1         | 1         | 1          | 1          | 1          | 1          | 1           | 1         | 1    | 999 |
| 44                                | GASKET, VINYL           | 60610303   | 1         | 1         | 1          | 1         | 1         | 1          | 1          | 1          | 1          | 1           | 1         | 1    | 999 |
| *                                 | HARDWARE BAG (SCREWS)   | 60846017   |           |           |            |           |           |            |            |            |            |             |           | 1    | 999 |
| *                                 | HARDWARE BAG (SCREWS)   | 60846016   | 1         | 1         | 1          | 1         | 1         | 1          | 1          | 1          | 1          | 1           | 1         | 1    | 999 |
| 45                                | GASKET, CHASSIS         | 61717301   | 1         | 1         | 1          | 1         | 1         | 1          | 1          | 1          | 1          | 1           | 1         | 1    | 999 |
| 45                                | GASKET, WINDOW          | 60073300   | 1         | 1         | 1          | 1         | 1         | 1          | 1          | 1          | 1          | 1           | 1         | 1    | 999 |
| *                                 | CARTON, SHIPPING        | 61839800   |           |           |            |           |           |            | 1          | 1          | 1          | 1           | 1         | 1    | 999 |
| *                                 | PAD, SHIPPING           | 61839500   | 1         | 1         | 1          | 1         | 1         | 1          | 1          | 1          | 1          | 1           | 1         | 1    | 999 |
| *                                 | PAD, FRONT SUPPORT      | 61839700   | 1         | 1         | 1          | 1         | 1         | 1          | 1          | 1          | 1          | 1           | 1         | 1    | 999 |
| *                                 | PAD, SHIPPING TOP       | 61839600   | 1         | 1         | 1          | 1         | 1         | 1          | 1          | 1          | 1          | 1           | 1         | 1    | 999 |
| *                                 | CARTON, SHIPPING        | 61839801   | 1         | 1         | 1          | 1         | 1         | 1          |            |            |            |             |           | 1    | 999 |
| <b>OPTIONAL ACCESSORIES ITEMS</b> |                         |            |           |           |            |           |           |            |            |            |            |             |           |      |     |
| *                                 | ACCESSORY PACKAGE       | 611-054-04 |           |           |            |           |           |            |            |            |            |             |           | 1    |     |
| *                                 | DRAIN KIT, DC-2         | 01900235   | 1         | 1         | 1          | 1         | 1         | 1          | 1          | 1          | 1          | 1           | 1         | 1    |     |
| *                                 | START KIT, CAP.RELAY    | 61008903   | 1         | 1         | 1          | 1         | 1         | 1          | 1          | 1          | 1          | 1           | 1         | 1    |     |
| *                                 | REMOTE CONTROLLER       | 61826602   |           |           |            |           |           |            |            | 1          |            |             |           |      |     |
| *                                 | INSTALLATION BOOK       | 92003601   | 1         | 1         | 1          | 1         | 1         | 1          | 1          | 1          | 1          | 1           | 1         | 1    |     |
| *                                 | OPERATION BOOK          | 92000304   |           |           |            |           |           |            |            |            |            |             |           | 1    |     |
| *                                 | OPERATION BOOK          | 92000505   | 1         | 1         | 1          |           |           |            |            |            |            |             |           |      |     |
| *                                 | OPERATION BOOK          | 92006102   |           |           |            | 1         | 1         | 1          |            |            |            |             |           |      |     |
| *                                 | OPERATION BOOK          | 92000901   |           |           |            |           |           |            | 1          | 1          | 1          | 1           | 1         |      |     |
| *                                 | QUICK REF. CARD         | 92004401   |           |           |            |           |           |            | 1          | 1          | 1          | 1           | 1         |      |     |
| *                                 | PARTS MANUAL            | 92013200   | 1         | 1         | 1          | 1         | 1         | 1          | 1          | 1          | 1          | 1           | 1         | 1    |     |
| *                                 | SERVICE MANUAL          | 92013100   | 1         | 1         | 1          | 1         | 1         | 1          | 1          | 1          | 1          | 1           | 1         | 1    |     |

\* PARTS NOT SHOWN

## SMALL CHASSIS "S" SERIES PARTS LIST

| REF.                              | DESCRIPTION          | PART NO. | EK230      |            | ES230      |            |           | KS230      |           | RS230     | SS230      |            | YS230     |           | CODE |
|-----------------------------------|----------------------|----------|------------|------------|------------|------------|-----------|------------|-----------|-----------|------------|------------|-----------|-----------|------|
|                                   |                      |          | EK12J33A-1 | EK12J33A-3 | ES12J33A-1 | ES12J33A-3 | ES16J33-1 | KS12J30A-1 | KS12J30A3 | RS16J30-1 | SS12J30B-1 | SS12J30B-3 | SS16J30-1 | YS13J33-1 |      |
| <b>ELECTRICAL SYSTEM PARTS</b>    |                      |          |            |            |            |            |           |            |           |           |            |            |           |           |      |
| 1                                 | THERMOSTAT           | 61822400 | 1          | 1          | 1          | 1          | 1         |            |           |           |            |            |           | 1         | 120  |
| 1                                 | THERMOSTAT           | 61822500 |            |            |            |            |           | 1          | 1         | 1         |            |            |           |           | 120  |
| *                                 | THERMOSTAT, DEFROST  | 61350313 |            |            |            |            |           |            |           |           |            |            |           | 1         | 122  |
| 2                                 | ELECTRONIC CTR.      | 61921101 |            |            |            |            |           |            |           |           | 1          | 1          | 1         |           | 331  |
| 3                                 | RESISTOR             | 61808001 | 1          | 1          | 1          | 1          | 1         | 1          | 1         | 1         |            |            |           | 1         | 200  |
| *                                 | OVERLOAD             | 60364596 | 1          |            | 1          |            |           | 1          |           |           | 1          |            |           |           | 190  |
| *                                 | OVERLOAD             | 61764521 |            | 1          |            | 1          |           |            | 1         |           |            | 1          |           |           | 190  |
| *                                 | OVERLOAD             | 61764506 |            |            |            |            | 1         |            |           | 1         |            |            | 1         |           | 190  |
| *                                 | OVERLOAD             | 60364597 |            |            |            |            |           |            |           |           |            |            |           | 1         | 190  |
| 4                                 | CAPACITOR            | 61080337 | 1          | 1          | 1          | 1          | 1         | 1          | 1         | 1         | 1          | 1          | 1         | 1         | 150  |
| 5                                 | SUPPLY CORD          | 60500049 | 1          | 1          | 1          | 1          | 1         |            |           |           |            |            |           | 1         | 220  |
| 5                                 | SUPPLY CORD          | 60500051 |            |            |            |            |           | 1          | 1         | 1         | 1          | 1          | 1         |           | 220  |
| 6                                 | SWITCH               | 60607204 | 1          | 1          | 1          | 1          | 1         |            |           |           |            |            |           | 1         | 130  |
| 6                                 | SWITCH               | 60607203 |            |            |            |            |           | 1          | 1         |           |            |            |           |           | 130  |
| 6                                 | SWITCH               | 60607205 |            |            |            |            |           |            |           | 1         |            |            |           |           | 130  |
| 7                                 | SWITCH (YES - NO)    | 61806102 | 1          | 1          | 1          | 1          | 1         | 1          | 1         | 1         |            |            |           | 1         | 132  |
| 8                                 | FAN MOTOR            | 61071494 | 1          | 1          | 1          | 1          |           | 1          | 1         |           |            |            |           | 1         | 110  |
| 8                                 | FAN MOTOR            | 61071495 |            |            |            |            | 1         |            |           |           |            |            |           |           | 110  |
| 8                                 | FAN MOTOR            | 61071478 |            |            |            |            |           |            |           | 1         |            |            | 1         |           | 110  |
| 8                                 | FAN MOTOR            | 61071477 |            |            |            |            |           |            |           |           | 1          | 1          |           |           | 110  |
| *                                 | SOLENOID             | 21058643 |            |            |            |            |           |            |           |           |            |            |           | 1         | 240  |
| 8A                                | HEATER               | 61878600 | 1          | 1          | 1          | 1          | 1         |            |           |           |            |            |           | 1         | 210  |
| *                                 | FUSE LINK            | 61596301 | 1          | 1          | 1          | 1          | 1         |            |           |           |            |            |           | 1         | 192  |
| *                                 | LIMITER, HEATER      | 61827900 | 1          | 1          | 1          | 1          | 1         |            |           |           |            |            |           | 1         | 193  |
| <b>REFRIGERATION SYSTEM PARTS</b> |                      |          |            |            |            |            |           |            |           |           |            |            |           |           |      |
| 9                                 | COMPRESSOR           | 61562804 | 1          |            | 1          |            |           | 1          |           |           | 1          |            |           |           | 600  |
| 9                                 | COMPRESSOR           | 61716609 |            | 1          |            | 1          |           |            | 1         |           |            | 1          |           |           | 600  |
| 9                                 | COMPRESSOR           | 61562828 |            |            |            |            | 1         |            |           | 1         |            |            | 1         |           | 600  |
| 9                                 | COMPRESSOR           | 61562805 |            |            |            |            |           |            |           |           |            |            |           | 1         | 600  |
| 9                                 | EVAPORATOR COIL      | 61850005 | 1          | 1          |            |            | 1         | 1          | 1         | 1         |            |            | 1         |           | 400  |
| 10                                | EVAPORATOR COIL      | 61850100 |            |            | 1          | 1          |           |            |           |           | 1          | 1          |           | 1         | 400  |
| 11                                | CONDENSER COIL       | 61850303 | 1          | 1          |            |            |           | 1          | 1         |           |            |            |           |           | 410  |
| 11                                | CONDENSER COIL       | 61850302 |            |            | 1          | 1          | 1         |            |           | 1         | 1          | 1          | 1         |           | 410  |
| 11                                | CONDENSER COIL       | 61850306 |            |            |            |            |           |            |           |           |            |            |           | 1         | 410  |
| *                                 | DRIER, LIQUID        | 60308101 | 1          | 1          | 1          | 1          | 1         | 1          | 1         | 1         | 1          | 1          | 1         |           | 480  |
| *                                 | DRIER, SUCTION       | 61828200 |            |            |            |            |           |            |           |           |            |            |           | 1         | 480  |
| *                                 | CHECK VALVE          | 61824400 |            |            |            |            |           |            |           |           |            |            |           | 1         | 510  |
| *                                 | REVERSING VALVE      | 25018300 |            |            |            |            |           |            |           |           |            |            |           | 1         | 500  |
| *                                 | CAPILLARY TUBE (HTG) | 03760513 |            |            |            |            |           |            |           |           |            |            |           | 1         | 471  |
| *                                 | CAPILLARY TUBE (CLG) | 03760545 |            |            |            |            |           |            |           |           |            |            |           | 1         | 471  |
| *                                 | CAPILLARY TUBE       | 01390212 | 1          |            |            |            |           | 1          |           |           |            |            |           |           | 471  |
| *                                 | CAPILLARY TUBE       | 03760511 |            | 1          |            |            |           |            | 1         |           |            |            |           |           | 471  |
| *                                 | CAPILLARY TUBE       | 01390000 |            |            | 1          |            |           |            |           |           | 1          |            |           |           | 471  |
| *                                 | CAPILLARY TUBE       | 03760512 |            |            |            | 1          |           |            |           |           |            | 1          |           |           | 471  |
| *                                 | CAPILLARY TUBE       | 01390005 |            |            |            |            | 1         |            |           | 1         |            |            | 1         |           | 471  |

\* NOT SHOWN

## SMALL CHASSIS "S" SERIES PARTS LIST

| REF | DESCRIPTION            | PART NO. | EK230      |            | ES230      |            | KS230     |            | RS230     | SS230     |            | YS230      |           | CODE |
|-----|------------------------|----------|------------|------------|------------|------------|-----------|------------|-----------|-----------|------------|------------|-----------|------|
|     |                        |          | EK12J33A-1 | EK12J33A-3 | ES12J33A-1 | ES12J33A-3 | ES16J33-1 | KS12J30A-1 | KS12J30A3 | RS16J30-1 | SS12J30B-1 | SS12J30B-3 | SS16J30-1 |      |
| 12  | SHROUD, CONDENSER      | 61803600 | 1          | 1          | 1          | 1          | 1         | 1          | 1         | 1         | 1          | 1          | 1         | 720  |
| 13  | FAN BLADE              | 60542003 | 1          | 1          | 1          | 1          | 1         | 1          | 1         | 1         | 1          | 1          | 1         | 710  |
| 14  | BLOWER WHEEL           | 60610601 | 1          | 1          |            |            | 1         | 1          | 1         |           |            | 1          |           | 700  |
| 14  | BLOWER WHEEL           | 60610603 |            |            | 1          | 1          |           |            |           | 1         | 1          |            | 1         | 700  |
| 15  | BRACE, COND. SHROUD    | 61802600 | 3          | 3          | 3          | 3          | 3         | 3          | 3         | 3         | 3          | 3          | 3         | 722  |
| 16  | SCROLL                 | 61814900 | 1          | 1          | 1          | 1          | 1         | 1          | 1         | 1         | 1          | 1          | 1         | 743  |
| 17  | BLOWER FRONT           | 61817300 | 1          | 1          | 1          | 1          | 1         | 1          | 1         | 1         | 1          | 1          | 1         | 742  |
| *   | INSULATION, INNER WALL | 61816900 | 1          | 1          | 1          | 1          | 1         | 1          | 1         | 1         | 1          | 1          | 1         | 781  |
| 18  | INNER WALL             | 61907300 | 1          | 1          | 1          | 1          | 1         | 1          | 1         | 1         | 1          | 1          | 1         | 777  |
| 19  | COVER, TOP             | 61906700 | 1          | 1          | 1          | 1          | 1         | 1          | 1         | 1         | 1          | 1          | 1         | 746  |
| 20  | INSULATION, TOP COVER  | 61816701 | 1          | 1          | 1          | 1          | 1         | 1          | 1         | 1         | 1          | 1          | 1         | 781  |
| 21  | DECK                   | 61817100 | 1          | 1          | 1          | 1          | 1         | 1          | 1         | 1         | 1          | 1          | 1         | 745  |
| 22  | AIR FOIL               | 61820202 | 1          | 1          | 1          | 1          | 1         | 1          | 1         | 1         | 1          | 1          | 1         | 744  |
| 23  | MOUNT, FAN MOTOR       | 61802500 | 1          | 1          | 1          | 1          | 1         | 1          | 1         | 1         | 1          | 1          | 1         | 900  |
| 24  | SHIELD, BOTTOM         | 61812900 | 1          | 1          | 1          | 1          | 1         |            |           |           |            |            | 1         | 999  |
| 25  | BRACKET, HEATER MT.    | 61818900 | 1          | 1          | 1          | 1          | 1         |            |           |           |            |            | 1         | 999  |
| 26  | SHIELD, SIDE           | 61821800 | 1          | 1          | 1          | 1          | 1         |            |           |           |            |            | 1         | 999  |
| 27  | BASE PAN               | 61809005 | 1          | 1          | 1          | 1          | 1         |            |           |           |            |            |           | 730  |
| 27  | BASE PAN               | 61803411 |            |            |            |            |           | 1          | 1         | 1         | 1          | 1          |           | 730  |
| 27  | BASE PAN               | 61809001 |            |            |            |            |           |            |           |           |            |            | 1         | 730  |
| *   | DRAIN PAN              | 61803800 | 1          | 1          | 1          | 1          | 1         | 1          | 1         | 1         | 1          | 1          | 1         | 840  |
| *   | BELLOWS, DRAIN VALVE   | 60179900 | 1          | 1          | 1          | 1          | 1         |            |           |           |            |            | 1         | 801  |
| *   | GRILLE, REAR           | 61818800 | 1          | 1          | 1          | 1          | 1         | 1          | 1         | 1         | 1          | 1          | 1         | 771  |
| 28  | DOOR, SLIDE ASSLY.     | 61821500 | 1          | 1          | 1          | 1          | 1         | 1          | 1         | 1         | 1          | 1          | 1         | 810  |
| *   | CONNECTOR, SLIDE DOOR  | 61814800 | 1          | 1          | 1          | 1          | 1         | 1          | 1         | 1         | 1          | 1          | 1         | 811  |
| 29  | PANEL, CTRL. MT.       | 61807200 | 1          | 1          | 1          | 1          | 1         | 1          | 1         |           |            |            | 1         | 999  |
| 30  | BRACKET, CAP. MT       | 61820400 | 1          | 1          | 1          | 1          | 1         | 1          | 1         | 1         | 1          | 1          | 1         | 999  |
| *   | PANEL, LIS             | 61907000 | 1          | 1          | 1          | 1          | 1         | 1          | 1         | 1         | 1          | 1          | 1         | 999  |
| 31  | PARTITION, CTRL. BOX   | 61802800 |            |            |            |            |           | 1          | 1         | 1         | 1          | 1          |           | 999  |
| 31  | PARTITION, CTRL. BOX   | 61802801 | 1          | 1          | 1          | 1          | 1         |            |           |           |            |            | 1         | 999  |
| *   | BUSHING, SUPPLY CORD   | 60071311 | 1          | 1          | 1          | 1          | 1         |            |           |           |            |            | 1         | 999  |
| *   | BUSHING, SUPPLY CORD   | 60071312 | 1          | 1          | 1          | 1          | 1         | 1          | 1         | 1         | 1          | 1          | 1         | 999  |
| 32  | DECORATIVE PANEL       | 61823300 | 1          | 1          | 1          | 1          | 1         |            |           |           |            |            | 1         | 999  |
| 33  | KNOBS, CTRL.           | 61493905 | 2          | 2          | 2          | 2          | 2         | 2          | 2         |           |            |            | 2         | 761  |
| 29  | PANEL, CONTROL         | 61807201 |            |            |            |            |           |            |           |           | 1          | 1          | 1         | 999  |
| *   | HOLDER, THERMISTER     | 61925001 |            |            |            |            |           |            |           |           | 1          | 1          | 1         | 764  |
| *   | HOLDER, AIR FILTER     | 61823000 | 2          | 2          | 2          | 2          | 2         | 2          | 2         | 2         | 2          | 2          | 2         | 756  |
| *   | FILTER, AIR            | 60865808 | 1          | 1          | 1          | 1          | 1         | 1          | 1         | 1         | 1          | 1          | 1         | 754  |
| *   | CLAMP, SUPPLY CORD     | 91500301 | 1          | 1          | 1          | 1          | 1         | 1          | 1         | 1         | 1          | 1          | 1         | 999  |
| *   | BRACKET, RESISTO BLOCK | 61820600 | 1          | 1          | 1          | 1          | 1         | 1          | 1         | 1         | 1          | 1          | 1         | 999  |
| *   | GROMMET, SUCTION LINE  | 61807602 | 1          | 1          | 1          | 1          | 1         | 1          | 1         | 1         | 1          | 1          | 1         | 999  |
| 34  | GROMMET, COMPRESSOR    | 61082900 | 3          | 3          | 3          | 3          | 3         | 3          | 3         | 3         | 3          | 3          | 3         | 790  |
| 35  | SCREW, COMPRESSOR MT.  | 91400400 | 3          | 3          | 3          | 3          | 3         | 3          | 3         | 3         | 3          | 3          | 3         | 999  |
| *   | COUNTER WEIGHT         | 61715800 | 2          | 2          | 2          | 2          | 2         | 2          | 2         | 2         | 2          | 2          | 2         | 999  |
| 36  | PLENUM ASSLY.          | 61810200 | 1          | 1          | 1          | 1          | 1         | 1          | 1         | 1         | 1          | 1          | 1         | 753  |

\* PARTS NOT SHOWN

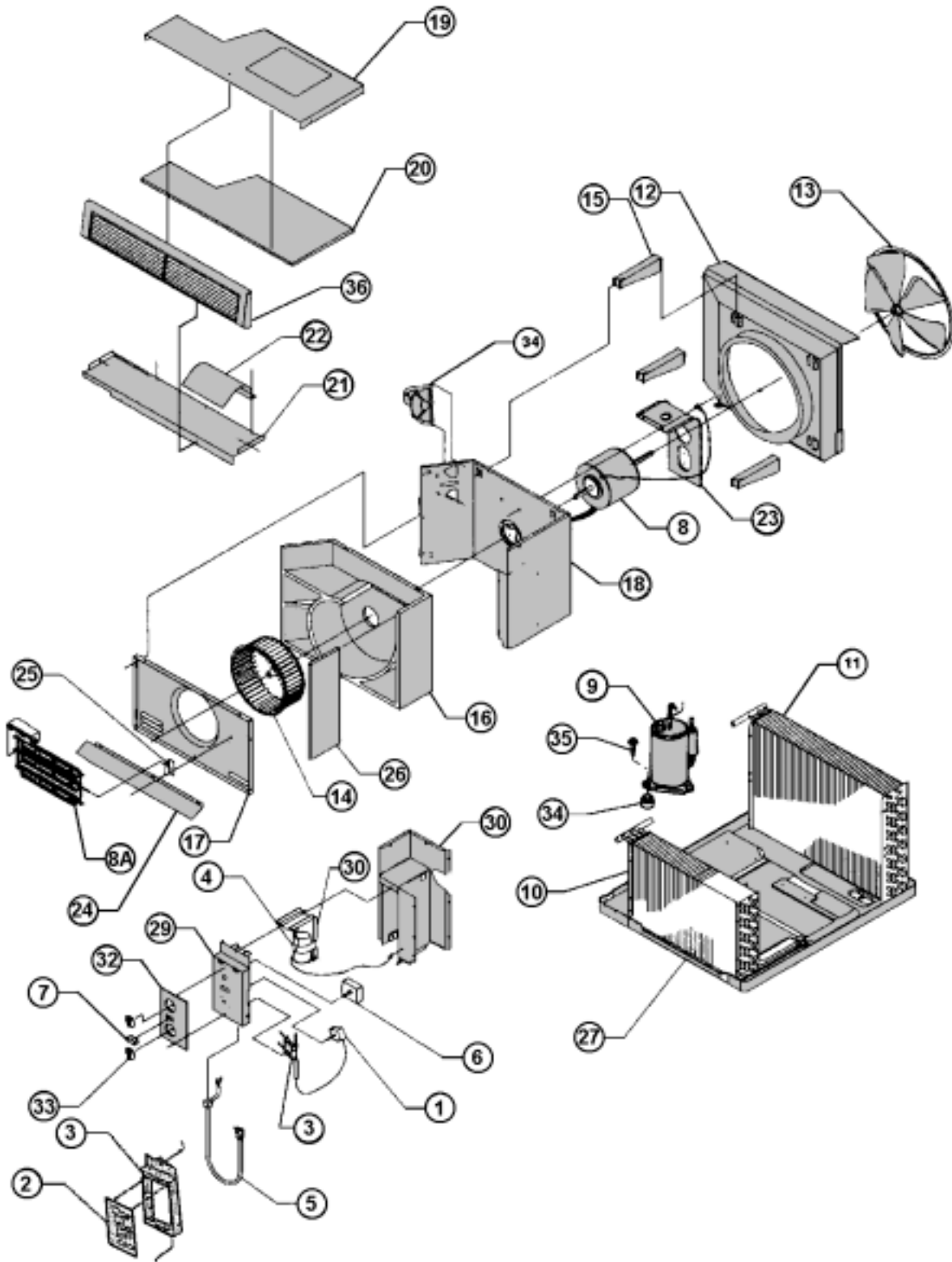
## SMALL CHASSIS "S" SERIES PARTS LIST

| REF                               | DESCRIPTION                 | PART NO. | EK230      |            | ES230      |            |           | KS230      |           | RS230     | SS230      |            | YS230     | CODE |
|-----------------------------------|-----------------------------|----------|------------|------------|------------|------------|-----------|------------|-----------|-----------|------------|------------|-----------|------|
|                                   |                             |          | EK12J33A-1 | EK12J33A-3 | ES12J33A-1 | ES12J33A-3 | ES16J33-1 | KS12J30A-1 | KS12J30A3 | RS16J30-1 | SS12J30B-1 | SS12J30B-3 | SS16J30-1 |      |
|                                   | <b>CHASSIS SYSTEM PARTS</b> |          |            |            |            |            |           |            |           |           |            |            |           |      |
| *                                 | KNOB, FRESH AIR & EXHAUST   | 61809300 | 1          | 1          | 1          | 1          | 1         | 1          | 1         | 1         | 1          | 1          | 1         | 761  |
| 37                                | INTAKE GRILLE               | 61808900 | 1          | 1          | 1          | 1          | 1         | 1          | 1         | 1         | 1          | 1          | 1         | 772  |
| *                                 | LATCH, INTAKE GRILLE        | 61819900 | 2          | 2          | 2          | 2          | 2         | 2          | 2         | 2         | 2          | 2          | 2         | 999  |
| 38                                | OUTER SHELL ASSLY           | 61825700 | 1          | 1          | 1          | 1          | 1         | 1          | 1         | 1         | 1          | 1          | 1         | 779  |
| 39                                | SILL PLATE                  | 61808403 | 1          | 1          | 1          | 1          | 1         | 1          | 1         | 1         | 1          | 1          | 1         | 999  |
| *                                 | CHASSIS GUIDE, SHELL        | 61819600 | 2          | 2          | 2          | 2          | 2         | 2          | 2         | 2         | 2          | 2          | 2         | 999  |
| *                                 | FRIEDRICH SCRIPT            | 60169105 | 1          | 1          | 1          | 1          | 1         | 1          | 1         | 1         | 1          | 1          | 1         | 999  |
| *                                 | PUSHNUTS, SCRIPT            | 91002900 | 2          | 2          | 2          | 2          | 2         | 2          | 2         | 2         | 2          | 2          | 2         | 999  |
| *                                 | ACCESSORY PKGE.             | 61105004 |            |            |            |            |           | 1          | 1         |           | 1          | 1          | 1         | 999  |
| 40                                | WINGBOARD                   | 60294408 |            |            |            |            |           | 1          | 1         |           | 1          | 1          | 1         | 999  |
| 41                                | BRACKET, SUPPORT            | 61109503 |            |            |            |            |           | 2          | 2         |           | 2          | 2          | 2         | 999  |
| 42                                | ANGLE, WINGBOARD            | 61819801 |            |            |            |            |           | 2          | 2         |           | 2          | 2          | 2         | 999  |
| 43                                | ANGLE, TOP                  | 61819701 |            |            |            |            |           | 1          | 1         |           | 1          | 1          | 1         | 999  |
| 44                                | GASKET, VINYL               | 60610303 |            |            |            |            |           | 1          | 1         |           | 1          | 1          | 1         | 999  |
| *                                 | HARDWARE BAG (SCREWS)       | 60846017 | 1          | 1          | 1          | 1          | 1         |            |           |           |            |            | 1         | 999  |
| *                                 | HARDWARE BAG                | 60846016 |            |            |            |            |           | 1          | 1         |           | 1          | 1          | 1         | 999  |
| 45                                | GASKET, CHASSIS             | 61717301 | 1          | 1          | 1          | 1          | 1         | 1          | 1         | 1         | 1          | 1          | 1         | 999  |
| 45                                | GASKET, WINDOW              | 60073300 | 1          | 1          | 1          | 1          | 1         | 1          | 1         | 1         | 1          | 1          | 1         | 999  |
| *                                 | PAD, SHIPPING TOP           | 61839600 | 1          | 1          | 1          | 1          | 1         | 1          | 1         | 1         | 1          | 1          | 1         | 999  |
| *                                 | PAD, SHIPPING               | 61839500 | 1          | 1          | 1          | 1          | 1         | 1          | 1         | 1         | 1          | 1          | 1         | 999  |
| *                                 | PAD, FRONT SUPPORT          | 61839700 | 1          | 1          | 1          | 1          | 1         | 1          | 1         | 1         | 1          | 1          | 1         | 999  |
| *                                 | CARTON, SHIPPING            | 61839800 |            |            |            |            |           |            |           |           | 1          | 1          | 1         | 999  |
| *                                 | CARTON, SHIPPING            | 61839801 | 1          | 1          | 1          | 1          | 1         | 1          | 1         | 1         |            |            | 1         | 999  |
| <b>OPTIONAL ACCESSORIES ITEMS</b> |                             |          |            |            |            |            |           |            |           |           |            |            |           |      |
| *                                 | ACCESSORY PACKAGE           | 61105004 | 1          | 1          | 1          | 1          | 1         |            |           |           |            |            | 1         |      |
| *                                 | DRAIN KIT, DC-2             | 01900235 | 1          | 1          | 1          | 1          | 1         | 1          | 1         | 1         | 1          | 1          | 1         |      |
| *                                 | START KIT, CAP\RELAY        | 61008903 | 1          | 1          | 1          | 1          | 1         | 1          | 1         | 1         | 1          | 1          | 1         |      |
| *                                 | REMOTE CONTROLLER           | 61826602 |            |            |            |            |           |            |           |           | 1          | 1          | 1         |      |
| *                                 | INSTALLATION BOOK           | 92003601 | 1          | 1          | 1          | 1          | 1         | 1          | 1         | 1         | 1          | 1          | 1         |      |
| *                                 | OPERATION BOOK              | 92000304 | 1          | 1          | 1          | 1          | 1         |            |           |           |            |            | 1         |      |
| *                                 | OPERATION BOOK              | 92000505 |            |            |            |            |           | 1          | 1         |           |            |            |           |      |
| *                                 | OPERATION BOOK              | 92006102 |            |            |            |            |           |            |           | 1         |            |            |           |      |
| *                                 | OPERATION BOOK              | 92000901 |            |            |            |            |           |            |           |           | 1          | 1          | 1         |      |
| *                                 | QUICK REF. CARD             | 92004401 |            |            |            |            |           |            |           |           | 1          | 1          | 1         |      |
| *                                 | PARTS MANUAL                | 92013200 | 1          | 1          | 1          | 1          | 1         | 1          | 1         | 1         | 1          | 1          | 1         |      |
| *                                 | SERVICE MANUAL              | 92013100 | 1          | 1          | 1          | 1          | 1         | 1          | 1         | 1         | 1          | 1          | 1         |      |

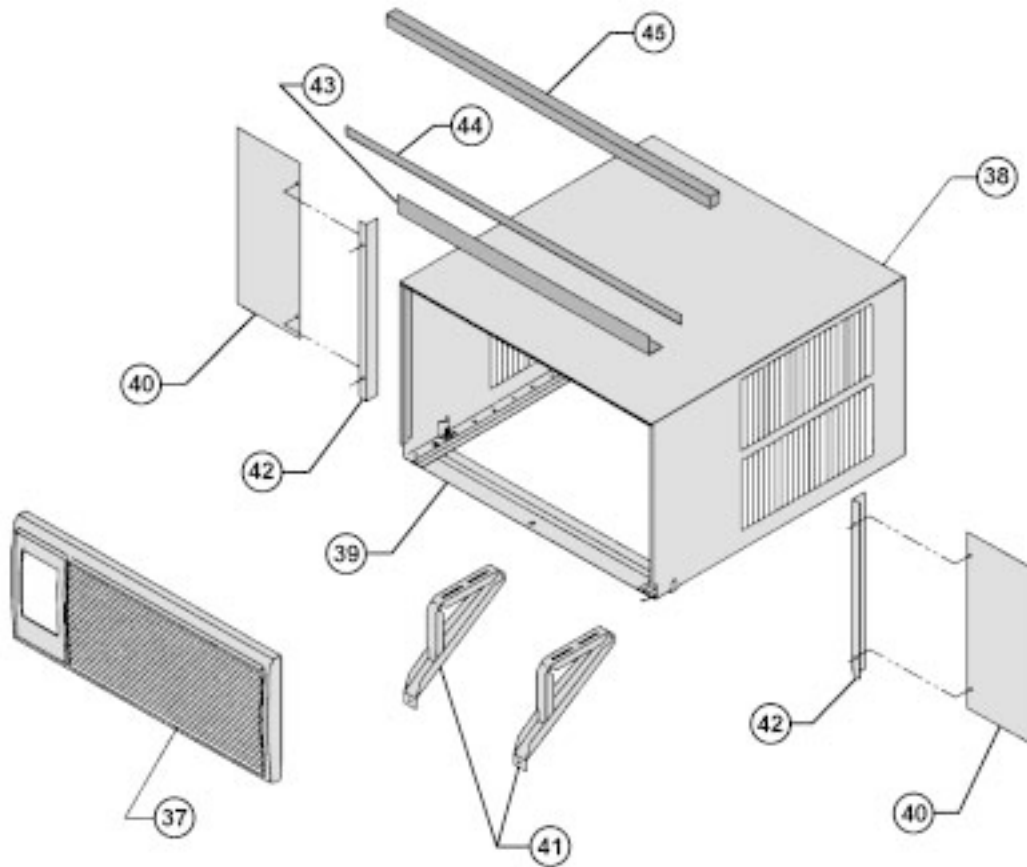
\* PARTS NOT SHOWN

*"M" Series  
115 V / 230 V  
Medium Chassis  
Room Air Conditioner  
Section*

# Medium Chassis "M" SERIES CHASSIS PARTS (EK, EM, KM, RM, SM, & YM)



# Medium Chassis "M" SERIES CABINET & MOUNTING PARTS (EK, EM, KM, RM, SM, YM)





## MEDIUM CHASSIS "M" SERIES PARTS LIST

| REF. | DESCRIPTION                    | PART NO. | EK 230     | EM 230    | KM 115    | KM 230                  | RM 115    | RM 230    | SM 115     | SM 230                   | YM 230     | CODE |
|------|--------------------------------|----------|------------|-----------|-----------|-------------------------|-----------|-----------|------------|--------------------------|------------|------|
|      | <b>ELECTRICAL SYSTEM PARTS</b> |          | EK18J34B-1 | EM19J34-3 | KM14J10-1 | KM18J30B-3<br>KM21J30-4 | RM14J10-3 | RM19J30-3 | SM14J10R-3 | SM19J30R-3<br>SM21J30B-4 | YM18J34A-2 |      |
| 1    | THERMOSTAT                     | 61822400 | 1          | 1         |           |                         |           |           |            |                          | 1          | 120  |
| 1    | THERMOSTAT                     | 61822500 |            |           | 1         | 1 1                     | 1         | 1         |            |                          |            | 120  |
| *    | THERMOSTAT, DEF.               | 61350313 |            |           |           |                         |           |           |            |                          | 1          | 122  |
| *    | ELECTRONIC BOARD               | 61921100 |            |           |           |                         |           |           | 1          |                          |            | 331  |
| 2    | ELECTRONIC BOARD               | 61921101 |            |           |           |                         |           |           |            | 1 1                      |            | 331  |
| *    | REMOTE CONTROL                 | 61826602 |            |           |           |                         |           |           | 1          | 1                        |            | 350  |
| *    | OVERLOAD                       | 61764528 |            |           | 1         |                         | 1         |           | 1          |                          |            | 190  |
| 4    | CAPACITOR                      | 61080336 | 1          | 1         |           | 1                       |           | 1         |            | 1                        | 1          | 150  |
| 4    | CAPACITOR                      | 61080362 |            |           | 1         |                         | 1         |           | 1          |                          |            | 150  |
| 4    | CAPACITOR                      | 61080334 |            |           |           | 1                       |           |           |            |                          | 1          | 150  |
| 5    | SUPPLY CORD                    | 60500048 | 1          | 1         |           |                         |           |           |            |                          | 1          | 220  |
| 5    | SUPPLY CORD                    | 60500053 |            |           | 1         |                         | 1         |           | 1          |                          |            | 220  |
| 5    | SUPPLY CORD                    | 60500051 |            |           |           | 1                       |           | 1         |            | 1                        |            | 220  |
| 5    | SUPPLY CORD                    | 60500049 |            |           |           |                         | 1         |           |            |                          | 1          | 220  |
| 33   | RESISTOR                       | 61808001 | 1          | 1         |           | 1 1                     |           | 1         |            |                          | 1          | 200  |
| 3    | RESISTOR                       | 61808000 |            |           | 1         |                         | 1         |           |            |                          |            | 200  |
| 6    | SWITCH                         | 60607204 | 1          | 1         |           |                         |           |           |            |                          | 1          | 130  |
| 6    | SWITCH                         | 60607203 |            |           | 1         | 1 1                     |           |           |            |                          |            | 130  |
| 6    | SWITCH                         | 60607205 |            |           |           |                         | 1 1       |           |            |                          |            | 130  |
| 7    | SWITCH (YES - NO)              | 61806102 | 1          | 1         | 1         | 1 1                     | 1 1       |           |            |                          | 1          | 132  |
| 8    | FAN MOTOR                      | 61071496 | 1          | 1         |           | 1 1                     |           |           |            |                          | 1          | 110  |
| 8    | FAN MOTOR                      | 61071483 |            |           | 1         |                         | 1         |           | 1          |                          |            | 110  |
| 8    | FAN MOTOR                      | 61071481 |            |           |           |                         |           | 1         |            | 1 1                      |            | 110  |
| *    | SOLENOID COIL                  | 21058643 |            |           |           |                         |           |           |            |                          | 1          | 240  |
| *    | BLOCK, RESISTOR                | 61808001 | 1          | 1         | 1         | 1 1                     | 1 1       |           |            |                          | 1          | 999  |
| 8A   | HEATER                         | 61878601 | 1          | 1         |           |                         |           |           |            |                          | 1          | 210  |

### REFRIGERATION SYSTEM PARTS

|    |                      |          |   |   |   |     |   |   |   |     |   |     |
|----|----------------------|----------|---|---|---|-----|---|---|---|-----|---|-----|
| 9  | COMPRESSOR           | 61716603 | 1 | 1 |   |     |   | 1 |   | 1   |   | 600 |
| 9  | COMPRESSOR           | 61716619 |   |   | 1 |     | 1 |   | 1 |     |   | 600 |
| 9  | COMPRESSOR           | 61716617 |   |   |   | 1   |   |   |   |     |   | 600 |
| 9  | COMPRESSOR           | 61716607 |   |   |   | 1   |   |   |   |     | 1 | 600 |
| 10 | EVAPORATOR COIL      | 61850011 | 1 |   |   | 1   |   |   |   |     |   | 400 |
| 10 | EVAPORATOR COIL      | 61850002 |   | 1 | 1 |     | 1 | 1 | 1 | 1   | 1 | 400 |
| 10 | EVAPORATOR COIL      | 61850001 |   |   |   |     |   |   |   |     | 1 | 400 |
| 11 | CONDENSER COIL       | 61850200 | 1 | 1 | 1 | 1 1 | 1 | 1 | 1 | 1   |   | 410 |
| 11 | CONDENSER COIL       | 61850205 |   |   |   |     |   |   |   |     | 1 | 410 |
| *  | DRIER, LIQUID        | 60308101 | 1 | 1 | 1 | 1 1 | 1 | 1 | 1 | 1   |   | 480 |
| *  | DRIER, SUCTION       | 61828200 |   |   |   |     |   |   |   |     | 1 | 480 |
| *  | CHECK VALVE          | 61824400 |   |   |   |     |   |   |   |     | 1 | 510 |
| *  | REVERSING VALVE      | 25018700 |   |   |   |     |   |   |   |     | 1 | 500 |
| *  | CAPILLARY TUBE (HTG) | 03760473 |   |   |   |     |   |   |   |     | 1 | 471 |
| *  | CAPILLARY TUBE (CLG) | 03760555 |   |   |   |     |   |   |   |     | 1 | 471 |
| *  | CAPILLARY TUBE       | 01389975 | 1 |   |   | 1   |   |   |   |     |   | 471 |
| *  | CAPILLARY TUBE       | 03760479 |   | 3 |   |     | 3 | 3 |   | 3 3 |   | 471 |
| *  | CAPILLARY TUBE       | 03760500 |   |   | 3 |     | 3 |   | 3 |     |   | 471 |

\* PARTS NOT SHOWN

## MEDIUM CHASSIS "M" SERIES PARTS LIST

| REF | DESCRIPTION                 | PART NO. | EK 230            | EM 230           | KM 115           | KM 230                                | RM 115           | RM 230           | SM 115            | SM 230                                 | YM 230            | CODE |
|-----|-----------------------------|----------|-------------------|------------------|------------------|---------------------------------------|------------------|------------------|-------------------|--|-------------------|------|
|     | <b>CHASSIS SYSTEM PARTS</b> |          | <b>EK18J34B-1</b> | <b>EM19J34-3</b> | <b>KM14J10-1</b> | <b>KM18J30B-3</b><br><b>KM21J30-4</b> | <b>RM14J10-3</b> | <b>RM19J30-3</b> | <b>SM14J10R-3</b> | <b>SM19J30R-3</b><br><b>SM21J30B-4</b> | <b>YM18J34A-2</b> |      |
| 12  | SHROUD, CONDENSER           | 61804900 | 1                 | 1                | 1                | 1                                     | 1                | 1                | 1                 | 1                                      | 1                 | 720  |
| 13  | FAN BLADE, COND.            | 60542004 | 1                 | 1                | 1                | 1                                     | 1                | 1                | 1                 | 1                                      | 1                 | 710  |
| 14  | BLOWER WHEEL, EVAP          | 60610601 | 1                 | 1                |                  | 1                                     |                  | 1                |                   | 1                                      |                   | 700  |
| 14  | BLOWER WHEEL, EVAP          | 60610603 |                   |                  | 1                |                                       |                  |                  | 1                 |  |                   | 700  |
| 14  | BLOWER WHEEL, EVAP          | 60610605 |                   |                  |                  | 1                                     |                  |                  |                   | 1                                      | 1                 | 700  |
| 15  | BRACE, COND. SHROUD         | 61802600 | 3                 | 3                | 3                | 3                                     | 3                | 3                | 3                 | 3                                      | 3                 | 722  |
| 16  | SCROLL                      | 61817500 | 1                 | 1                | 1                | 1                                     | 1                | 1                | 1                 | 1                                      | 1                 | 743  |
| 17  | BLOWER FRONT                | 61817400 | 1                 | 1                | 1                | 1                                     | 1                | 1                | 1                 | 1                                      | 1                 | 742  |
| *   | INSULATION, LIS             | 61816800 | 1                 | 1                | 1                | 1                                     | 1                | 1                | 1                 | 1                                      | 1                 | 781  |
| 20  | INSULATION, TOP             | 61816701 | 1                 | 1                | 1                | 1                                     | 1                | 1                | 1                 | 1                                      | 1                 | 781  |
| *   | INSULATION, INNERWAL        | 61816901 | 1                 | 1                | 1                | 1                                     | 1                | 1                | 1                 | 1                                      | 1                 | 781  |
| 18  | INNER WALL                  | 61907200 | 1                 | 1                | 1                | 1                                     | 1                | 1                | 1                 | 1                                      | 1                 | 777  |
| 19  | TOP COVER                   | 61906700 | 1                 | 1                | 1                | 1                                     | 1                | 1                | 1                 | 1                                      | 1                 | 746  |
| 21  | DECK                        | 61817100 | 1                 | 1                | 1                | 1                                     | 1                | 1                | 1                 | 1                                      | 1                 | 745  |
| 22  | AIR FOIL                    | 61820200 | 1                 | 1                | 1                | 1                                     | 1                | 1                | 1                 | 1                                      | 1                 | 744  |
| 24  | SHIELD, BOTTOM              | 61812900 | 1                 |                  |                  |                                       |                  |                  |                   |  |                   | 999  |
| 24  | SHIELD, BOTTOM              | 61812901 |                   | 1                |                  |                                       |                  |                  |                   |  | 1                 | 999  |
| 26  | SHIELD, SIDE                | 61821801 | 1                 | 1                |                  |                                       |                  |                  |                   |  | 1                 | 999  |
| 25  | BRACKET, HTR                | 61818900 | 1                 | 1                |                  |                                       |                  |                  |                   |  | 1                 | 730  |
| 27  | BASE PAN                    | 61809005 | 1                 | 1                |                  |                                       |                  |                  |                   |  |                   | 730  |
| 27  | BASE PAN                    | 61803411 |                   |                  | 1                | 1                                     | 1                | 1                | 1                 | 1                                      |                   | 730  |
| 27  | BASE PAN                    | 61809009 |                   |                  |                  |                                       |                  |                  |                   |  | 1                 | 730  |
| *   | BELLOWS, DRAIN VALVE        | 60179900 | 1                 | 1                |                  |                                       |                  |                  |                   |  | 1                 | 801  |
| *   | DRAIN PAN, EVAP.            | 61803800 | 1                 | 1                | 1                | 1                                     | 1                | 1                | 1                 | 1                                      | 1                 | 840  |
| *   | GRILLE, REAR                | 61818801 | 1                 | 1                | 1                | 1                                     | 1                | 1                | 1                 | 1                                      | 1                 | 771  |
| 28  | DOOR, SLIDE ASY             | 61821500 | 1                 | 1                | 1                | 1                                     | 1                | 1                | 1                 | 1                                      | 1                 | 810  |
| *   | CONNECTOR SLIDE ASY         | 61814800 | 1                 | 1                | 1                | 1                                     | 1                | 1                | 1                 | 1                                      | 1                 | 811  |
| *   | WIRE CLIP, SLIDE ASSY       | 60301800 | 1                 | 1                | 1                | 1                                     | 1                | 1                | 1                 | 1                                      | 1                 | 999  |
| 29  | PANEL, CTRL. MOUNT          | 61811000 | 1                 | 1                | 1                | 1                                     | 1                | 1                |                   |  | 1                 | 999  |
| 29  | PANEL, CTRL. MOUNT          | 61811001 |                   |                  |                  |                                       |                  |                  | 1                 | 1                                      | 1                 | 999  |
| *   | PANEL, LIS                  | 61906900 | 1                 | 1                | 1                | 1                                     | 1                | 1                | 1                 | 1                                      | 1                 | 999  |
| 31  | PARTITION, CTRL. BOX        | 61804301 | 1                 | 1                |                  |                                       |                  |                  |                   |  | 1                 | 999  |
| 31  | PARTITION, CTRL. BOX        | 61804300 |                   |                  | 1                | 1                                     | 1                | 1                | 1                 | 1                                      | 1                 | 999  |
| 30  | BRACKET, CAP. MOUNT         | 61820400 | 1                 | 1                | 1                | 1                                     | 1                | 1                | 1                 | 1                                      | 1                 | 999  |
| -   | STRAP, CAP.                 | 61820700 | 1                 | 1                | 1                | 1                                     | 1                | 1                | 1                 | 1                                      | 1                 | 999  |
| 32  | DECORATIVE PANEL            | 61823300 | 1                 | 1                |                  |                                       |                  |                  |                   |  | 1                 | 999  |
| 32  | DECORATIVE PANEL            | 61822600 |                   |                  | 1                | 1                                     | 1                |                  |                   |  |                   | 999  |
| 32  | DECORATIVE PANEL            | 61822603 |                   |                  |                  |                                       | 1                | 1                |                   |  |                   | 999  |
| 33  | KNOBS, CONTROL              | 61493905 | 2                 | 2                | 2                | 2                                     | 2                | 2                |                   |  | 2                 | 761  |
| *   | BRACKET, RESISTOR BLK.      | 61820600 | 1                 | 1                | 1                | 1                                     | 1                | 1                |                   |  | 1                 | 999  |
| *   | HOLDER, THERMISTOR          | 61925001 |                   |                  |                  |                                       |                  |                  | 1                 | 1                                      | 1                 | 764  |
| *   | HOLDER, AIR FILTER          | 61823000 | 2                 | 2                | 2                | 2                                     | 2                | 2                | 2                 | 2                                      | 2                 | 756  |
| *   | FILTER, AIR                 | 60865809 | 1                 | 1                | 1                | 1                                     | 1                | 1                | 1                 | 1                                      | 1                 | 999  |
| *   | CLAMP, SUPPLY CORD          | 91500302 | 1                 | 1                |                  |                                       |                  |                  |                   |  | 1                 | 999  |
| *   | CLAMP, SUPPLY CORD          | 91500301 |                   |                  | 1                | 1                                     | 1                | 1                | 1                 | 1                                      | 1                 | 999  |

\* PARTS NOT SHOWN

## MEDIUM CHASSIS "M" SERIES PARTS LIST

| REF | DESCRIPTION          | PART NO. | EK 230     | EM 230    | KM 115    | KM 230                  | RM 115    | RM 230    | SM 115     | SM 230                   | YM 230     | CODE |
|-----|----------------------|----------|------------|-----------|-----------|-------------------------|-----------|-----------|------------|--------------------------|------------|------|
|     | CHASSIS SYSTEM PARTS |          | EK18J34B-1 | EM19J34-3 | KM14J10-1 | KM18J30B-3<br>KM21J30-4 | RM14J10-3 | RM19J30-3 | SM14J10R-3 | SM19J30R-3<br>SM21J30B-4 | YM18J34A-2 |      |
| 34  | GROMMET, COMP.       | 61028900 | 3          | 3         | 3         | 3                       | 3         | 3         | 3          | 3                        | 3          | 790  |
| 35  | SCREW, COMP.         | 91400400 | 3          | 3         | 3         | 3                       | 3         | 3         | 3          | 3                        | 3          | 999  |
| 34  | GROMMET, COMP        | 01150934 |            |           |           | 3                       |           |           |            |                          | 3          | 790  |
| *   | COUNTER WEIGHT       | 61715800 | 1          | 1         | 1         | 1                       | 1         | 1         | 1          | 1                        | 1          | 999  |
| *   | GROMMET, SUCTION LN. | 61807600 | 1          | 1         | 1         | 1                       | 1         | 1         | 1          | 1                        | 1          | 999  |
| 23  | MOUNT, FAN MOTOR     | 61804100 | 1          | 1         | 1         | 1                       | 1         | 1         | 1          | 1                        | 1          | 900  |
| 36  | PLENIUM ASLY.        | 61810200 | 1          | 1         | 1         | 1                       | 1         | 1         | 1          | 1                        | 1          | 753  |
| 37  | GRILLE, INTAKE       | 61811100 | 1          | 1         | 1         | 1                       | 1         | 1         | 1          | 1                        | 1          | 772  |
| *   | LATCH, GRILLE INTAKE | 61819900 | 2          | 2         | 2         | 2                       | 2         | 2         | 2          | 2                        | 2          | 999  |
| 38  | OUTER SHELL          | 61825701 | 1          | 1         | 1         | 1                       | 1         | 1         | 1          | 1                        | 1          | 770  |
| 39  | SILL PLATE           | 61808403 | 1          | 1         | 1         | 1                       | 1         | 1         | 1          | 1                        | 1          | 999  |
| *   | CHASSIS GUIDE, SHELL | 61819601 | 2          | 2         | 2         | 2                       | 2         | 2         | 2          | 2                        | 2          | 999  |
| *   | CHASSIS RETAINER     | 61826400 | 1          | 1         | 1         | 1                       | 1         | 1         | 1          | 1                        | 1          | 999  |
| *   | FRIEDRICH SCRIPT     | 60169105 | 1          | 1         | 1         | 1                       |           | 1         | 1          | 1                        | 1          | 999  |
| *   | PUSHNUTS, SCRIPT     | 91002900 | 2          | 2         | 2         | 2                       | 2         | 2         | 2          | 2                        | 2          | 999  |
| *   | FRIEDRICH SCRIPT     | 60169103 |            |           |           |                         | 1         |           |            |                          |            | 999  |
| *   | ACCESSORY PKGE.      | 61105005 |            |           | 1         | 1                       | 1         | 1         | 1          | 1                        | 1          | 999  |
| 40  | WINGBOARD            | 60294409 |            |           | 1         | 1                       | 1         | 1         | 1          | 1                        | 1          | 999  |
| *   | HARDWARE (SCREWS)    | 60846017 | 1          | 1         |           |                         |           |           |            |                          | 1          | 999  |
| *   | HARDWARE             | 60846016 |            |           | 1         | 1                       | 1         | 1         | 1          | 1                        | 1          | 999  |
| 45  | GASKET, CHASSIS      | 61717301 | 1          | 1         | 1         | 1                       | 1         | 1         | 1          | 1                        | 1          | 780  |
| 45  | GASKET, WINDOW       | 60073300 |            |           | 1         | 1                       | 1         | 1         | 1          | 1                        | 1          | 780  |
| 44  | GASKET, VINYL        | 60610303 |            |           | 1         | 1                       | 1         | 1         | 1          | 1                        | 1          | 780  |
| *   | CARTON, SHIPPING     | 61839803 |            |           |           |                         |           |           | 1          | 1                        | 1          | 999  |
| *   | CARTON, SHIPPING     | 61839804 | 1          | 1         | 1         | 1                       | 1         | 1         |            |                          | 1          | 999  |
| *   | PAD, SHIPPING TOP    | 61839600 | 1          | 1         | 1         | 1                       | 1         | 1         | 1          | 1                        | 1          | 999  |
| *   | PAD, FRONT SUPPORT   | 61839700 | 1          | 1         | 1         | 1                       | 1         | 1         | 1          | 1                        | 1          | 999  |
| *   | PAD, SHIPPING        | 61839900 | 2          | 2         | 2         | 2                       | 2         | 2         | 2          | 2                        | 2          | 999  |
| *   | PAD, SHIPPING        | 61839500 |            |           | 1         | 1                       | 1         | 1         | 1          | 1                        | 1          | 999  |
| *   | PAD, SHIPPING        | 61840001 | 1          | 1         |           |                         |           |           |            |                          | 1          | 999  |
| 41  | BRACKET, SUPPORT     | 61109503 |            |           | 2         | 2                       | 2         | 2         | 2          | 2                        | 2          | 999  |
| 43  | ANGLE, TOP SUPPORT   | 61819701 |            |           | 1         | 1                       | 1         | 1         | 1          | 1                        | 1          | 999  |
| 42  | ANGLE, WINGBOARDS    | 61819803 |            |           | 2         | 2                       | 2         | 2         | 2          | 2                        | 2          | 999  |

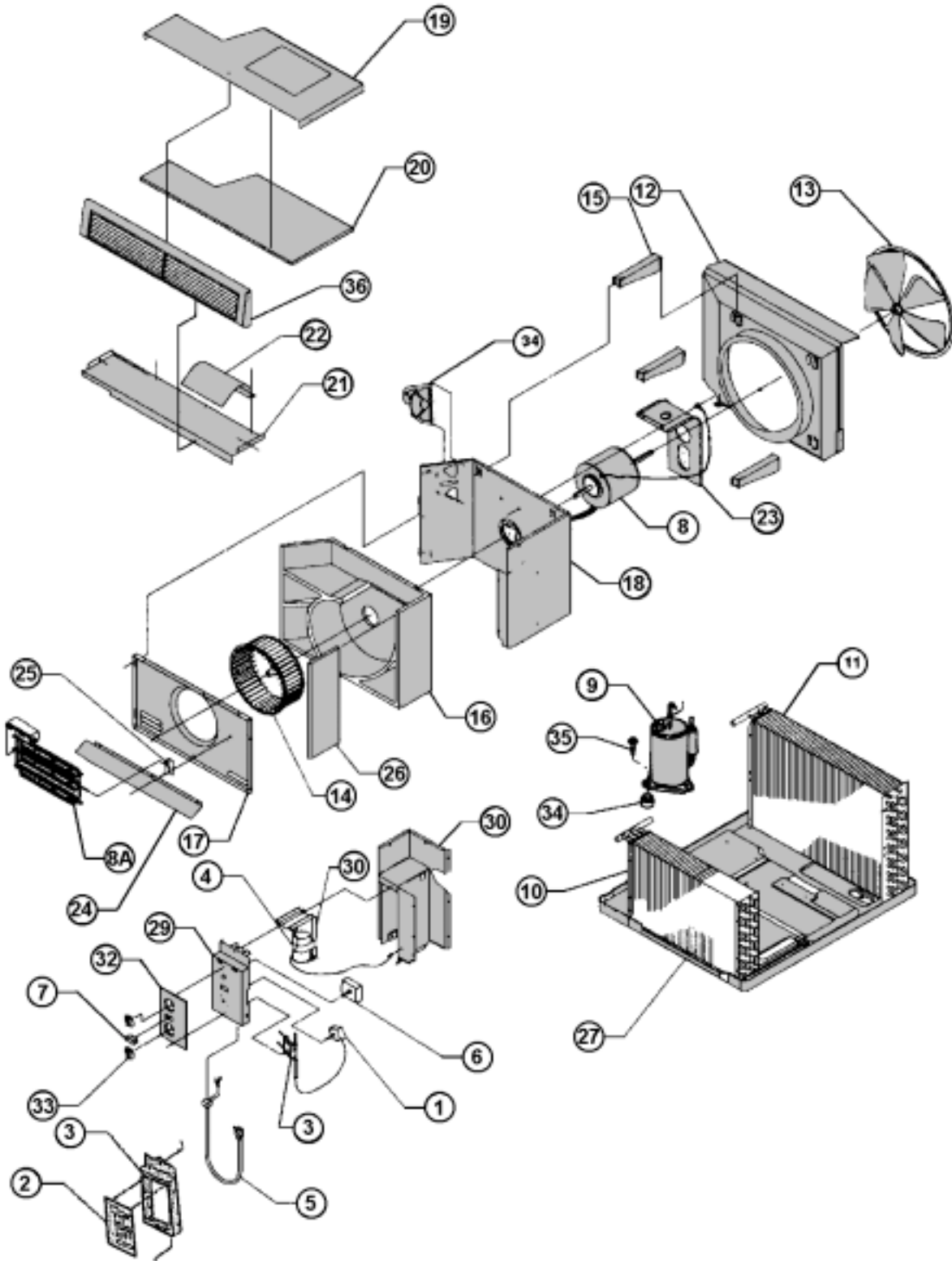
### OPTIONAL ACCESSORIES ITEMS

|   |                      |          |   |   |   |   |   |   |   |   |   |   |  |
|---|----------------------|----------|---|---|---|---|---|---|---|---|---|---|--|
| * | ACCESSORY PKGE.      | 61105005 | 1 | 1 |   |   |   |   |   |   |   | 1 |  |
| * | DRAIN KIT, DC-2      | 01900235 | 1 | 1 | 1 | 1 | 1 | 1 | 1 | 1 | 1 | 1 |  |
| * | START KIT, CAP.RELAY | 61008903 | 1 | 1 | 1 | 1 | 1 | 1 | 1 | 1 | 1 | 1 |  |
| * | REMOTE CONTROLLER    | 61826602 |   |   |   |   |   |   |   |   | 1 |   |  |
| * | PARTS MANUAL         | 92013200 | 1 | 1 | 1 | 1 | 1 | 1 | 1 | 1 | 1 | 1 |  |
| * | SERVICE MANUAL       | 92013100 | 1 | 1 | 1 | 1 | 1 | 1 | 1 | 1 | 1 | 1 |  |
| * | INSTALLATION BOOK    | 92003601 | 1 | 1 | 1 | 1 | 1 | 1 | 1 | 1 | 1 | 1 |  |
| * | OPERATION BOOK       | 92000304 | 1 | 1 |   |   |   |   |   |   |   | 1 |  |
| * | OPERATION BOOK       | 92000505 |   |   | 1 | 1 | 1 |   |   |   |   |   |  |
| * | OPERATION BOOK       | 92006102 |   |   |   |   | 1 | 1 |   |   |   |   |  |
| * | OPERATION BOOK       | 92009001 |   |   |   |   |   |   | 1 | 1 | 1 |   |  |
| * | QUICK REF. CARD      | 92004401 |   |   |   |   |   |   | 1 | 1 | 1 |   |  |

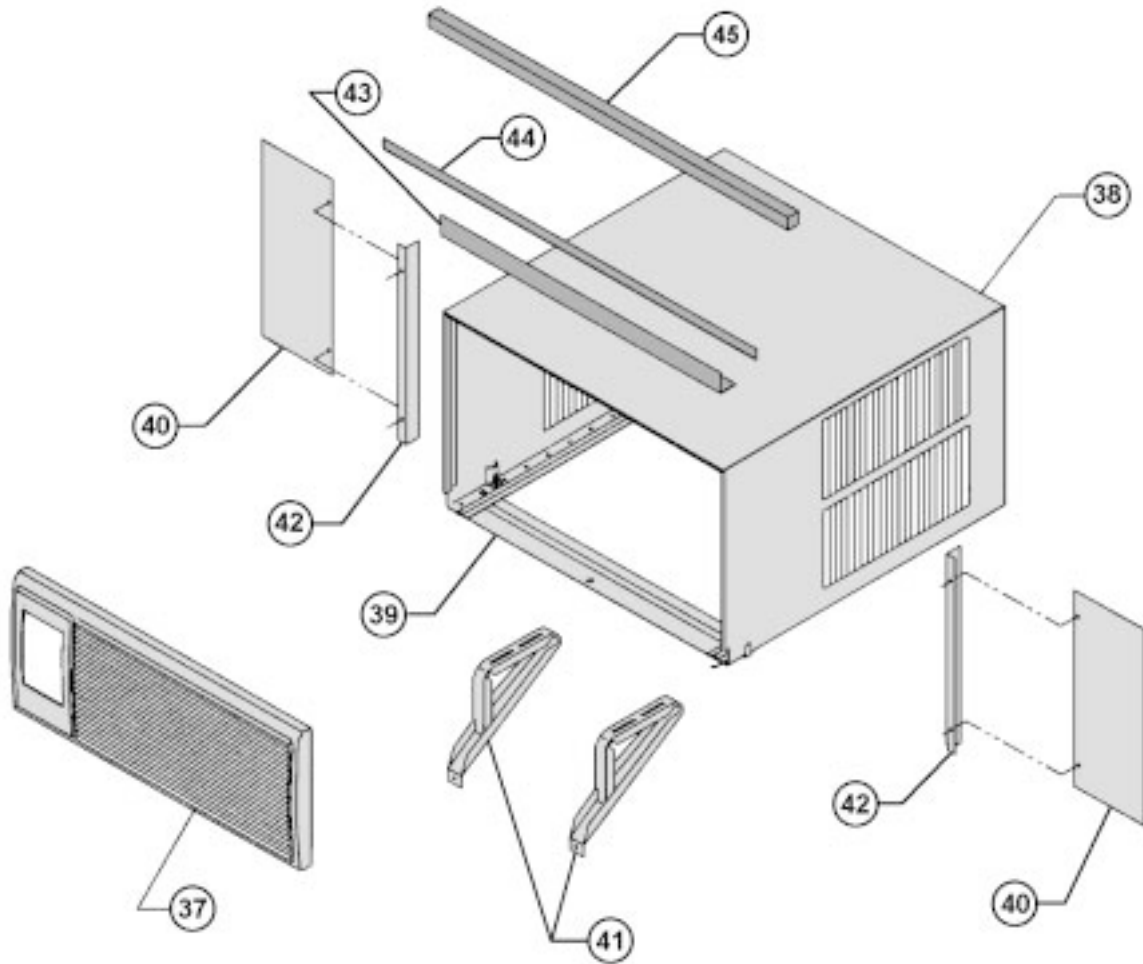
\* PARTS NOT SHOWN

*"L" Series  
Large Chassis  
Room Air Conditioner  
Section*

# LARGE CHASSIS "L" SERIES CHASSIS PARTS (KL, SL, EL, & YL)



# LARGE CHASSIS "L" SERIES CABINET & MOUNTING PARTS (KL, SL, EL, & YL)



## LARGE CHASSIS "L" SERIES PARTS LIST

| REF                               | DESCRIPTION          | PART NO. | KL 230     |            | SL 230     |           |            |            | EL230     |            |            | YL 230    | CODE |            |
|-----------------------------------|----------------------|----------|------------|------------|------------|-----------|------------|------------|-----------|------------|------------|-----------|------|------------|
|                                   |                      |          | KL26J30A-1 | KL25J30A-3 | SL24J30A-1 | SL24J30A3 | SL28J30A-1 | SL28J30A-A | SL33J30-2 | EL24J35A-1 | EL24J35A-3 | EL33J35-2 |      | YL24J35A-1 |
| <b>ELECTRICAL SYSTEM PARTS</b>    |                      |          |            |            |            |           |            |            |           |            |            |           |      |            |
| 1                                 | THERMOSTAT           | 61822500 | 1          | 1          | 1          | 1         | 1          | 1          |           |            |            |           |      | 120        |
| 1                                 | THERMOSTAT           | 61822400 |            |            |            |           |            |            | 1         | 1          | 1          | 1         |      | 120        |
| *                                 | THERMOSTAT, DEF.     | 61350313 |            |            |            |           |            |            |           |            |            |           | 1    | 122        |
| 4                                 | CAPACITOR            | 61080356 | 1          |            |            |           |            |            | 1         |            |            |           | 1    | 150        |
| 4                                 | CAPACITOR            | 61080351 |            | 1          |            |           |            |            |           | 1          |            |           |      | 150        |
| 4                                 | CAPACITOR            | 61080357 |            |            |            |           | 1          | 1          |           |            |            |           |      | 150        |
| 4                                 | CAPACITOR            | 61080533 |            |            |            |           |            |            | 1         |            |            | 1         |      | 150        |
| 4                                 | CAPACITOR            | 61080556 |            |            | 1          |           |            |            |           |            |            |           |      | 150        |
| 4                                 | CAPACITOR            | 61080551 |            |            |            | 1         |            |            |           |            |            |           |      | 150        |
| 5                                 | SUPPLY CORD          | 60500049 | 1          | 1          | 1          | 1         | 1          | 1          |           |            |            |           |      | 220        |
| 5                                 | SUPPLY CORD          | 60500048 |            |            |            |           |            |            | 1         |            |            |           |      | 220        |
| 5                                 | SUPPLY CORD          | 60500055 |            |            |            |           |            |            | 1         | 1          | 1          | 1         |      | 220        |
| 3                                 | RESISTOR             | 61808001 | 1          | 1          | 1          | 1         | 1          | 1          | 1         | 1          | 1          | 1         | 1    | 200        |
| 6                                 | SWITCH               | 60607203 | 1          | 1          | 1          | 1         | 1          | 1          |           |            |            |           |      | 130        |
| 6                                 | SWITCH               | 60607204 |            |            |            |           |            |            | 1         | 1          | 1          | 1         |      | 130        |
| 7                                 | SWITCH (YES - NO)    | 61806102 | 1          | 1          | 1          | 1         | 1          | 1          | 1         | 1          | 1          | 1         | 1    | 132        |
| 8                                 | FAN MOTOR            | 61071485 | 1          | 1          | 1          | 1         | 1          | 1          | 1         | 1          |            |           | 1    | 110        |
| 8                                 | FAN MOTOR            | 61071484 |            |            |            |           |            |            | 1         |            |            | 1         |      | 110        |
| *                                 | SOLENOID COIL        | 21058643 |            |            |            |           |            |            |           |            |            |           | 1    | 240        |
| 8A                                | HEATER               | 61878602 |            |            |            |           |            |            | 1         | 1          | 1          | 1         | 1    | 210        |
| <b>REFRIGERATION SYSTEM PARTS</b> |                      |          |            |            |            |           |            |            |           |            |            |           |      |            |
| 9                                 | COMPRESSOR           | 61193547 | 1          |            | 1          |           |            |            | 1         |            |            |           | 1    | 600        |
| 9                                 | COMPRESSOR           | 61716606 |            | 1          |            | 1         |            |            |           | 1          |            |           |      | 600        |
| 9                                 | COMPRESSOR           | 61193548 |            |            |            |           | 1          | 1          |           |            |            |           |      | 600        |
| 9                                 | COMPRESSOR           | 61818702 |            |            |            |           |            |            | 1         |            |            | 1         |      | 600        |
| 10                                | EVAPORATOR COIL      | 61850003 | 1          | 1          | 1          | 1         | 1          | 1          | 1         | 1          |            |           | 1    | 400        |
| 10                                | EVAPORATOR COIL      | 61850004 |            |            |            |           |            |            | 1         |            |            | 1         |      | 400        |
| 11                                | CONDENSER COIL       | 61850209 | 1          | 1          | 1          | 1         |            |            | 1         | 1          |            |           |      | 410        |
| 11                                | CONDENSER COIL       | 61850201 |            |            |            |           | 1          | 1          |           |            |            |           |      | 410        |
| 11                                | CONDENSER COIL       | 61850202 |            |            |            |           |            |            | 1         |            |            | 1         |      | 410        |
| 11                                | CONDENSER COIL       | 61850203 |            |            |            |           |            |            |           |            |            |           | 1    | 410        |
| *                                 | DRIER, LIQUID        | 60308101 | 1          | 1          | 1          | 1         | 1          | 1          | 1         | 1          | 1          | 1         |      | 480        |
| *                                 | DRIER, SUCTION       | 61828201 |            |            |            |           |            |            |           |            |            |           | 1    | 480        |
| *                                 | CHECK VALVE          | 61824400 |            |            |            |           |            |            |           |            |            |           | 1    | 510        |
| *                                 | REVERSING VALVE      | 25018700 |            |            |            |           |            |            |           |            |            |           | 1    | 500        |
| *                                 | CAPILLARY TUBE (HTG) | 01389985 |            |            |            |           |            |            |           |            |            |           | 1    | 471        |
| *                                 | CAPILLARY TUBE (CLG) | 03760518 |            |            |            |           |            |            |           |            |            |           | 1    | 471        |
| *                                 | CAPILLARY TUBE       | 03760473 | 2          | 2          | 2          |           |            |            | 2         | 2          |            |           |      | 471        |
| *                                 | CAPILLARY TUBE       | 03760520 |            |            |            |           | 2          | 2          |           |            |            |           |      | 471        |
| *                                 | CAPILLARY TUBE       | 03760545 |            |            |            |           |            |            | 5         |            |            | 5         |      | 471        |

\* PARTS NOT SHOWN

## LARGE CHASSIS "L" SERIES PARTS LIST

| REF | DESCRIPTION           | PART NO. | KL 230     |            | SL 230     |           |            |            | EL230     |            |            | YL 230    | CODE |
|-----|-----------------------|----------|------------|------------|------------|-----------|------------|------------|-----------|------------|------------|-----------|------|
|     |                       |          | KL26J30A-1 | KL25J30A-3 | SL24J30A-1 | SL24J30A3 | SL28J30A-1 | SL28J30A-A | SL33J30-2 | EL24J35A-1 | EL24J35A-3 | EL33J35-2 |      |
|     | <b>CHASSIS PARTS</b>  |          |            |            |            |           |            |            |           |            |            |           |      |
| 12  | SHROUD, CONDENSER     | 61807700 | 1          | 1          | 1          | 1         | 1          | 1          | 1         | 1          | 1          | 1         | 720  |
| 13  | FAN BLADE, COND.      | 60542001 | 1          | 1          | 1          | 1         | 1          | 1          | 1         | 1          | 1          | 1         | 710  |
| 14  | BLOWER WHEEL, EVAP.   | 60610602 | 1          | 1          | 1          | 1         | 1          | 1          | 1         | 1          |            |           | 700  |
| 14  | BLOWER WHEEL, EVAP.   | 60610609 |            |            |            |           |            | 1          |           |            | 1          |           | 700  |
| 15  | BRACE, COND. SHROUD   | 61810000 | 3          | 3          | 3          | 3         | 3          | 3          | 3         | 3          | 3          | 3         | 722  |
| 16  | SCROLL                | 61818100 | 1          | 1          | 1          | 1         | 1          | 1          | 1         | 1          | 1          | 1         | 743  |
| 17  | BLOWER FRONT          | 61817800 | 1          | 1          | 1          | 1         | 1          | 1          | 1         | 1          | 1          | 1         | 742  |
| *   | INSULATION, LIS       | 61818300 | 1          | 1          | 1          | 1         | 1          | 1          | 1         | 1          | 1          | 1         | 781  |
| 20  | INSULATION, TOP       | 61818201 | 1          | 1          | 1          | 1         | 1          | 1          | 1         | 1          | 1          | 1         | 781  |
| *   | INSULATION, INNERWALL | 61816902 | 1          | 1          | 1          | 1         | 1          | 1          | 1         | 1          | 1          | 1         | 781  |
| 18  | INNER WALL            | 61907100 | 1          | 1          | 1          | 1         | 1          | 1          | 1         | 1          | 1          | 1         | 777  |
| 19  | TOP COVER             | 61906600 | 1          | 1          | 1          | 1         | 1          | 1          | 1         | 1          | 1          | 1         | 746  |
| 21  | DECK                  | 61818000 | 1          | 1          | 1          | 1         | 1          | 1          | 1         | 1          | 1          | 1         | 745  |
| 22  | AIR FOIL              | 61820201 | 1          | 1          | 1          | 1         | 1          | 1          | 1         | 1          | 1          | 1         | 744  |
| 24  | SHIELD, BOTTOM        | 61813501 |            |            |            |           |            |            | 1         | 1          |            | 1         | 999  |
| 24  | SHIELD, BOTTOM        | 61813502 |            |            |            |           |            |            |           |            | 1          |           | 999  |
| 26  | SHIELD, SIDE          | 61821900 |            |            |            |           |            |            | 1         | 1          | 1          | 1         | 999  |
| 25  | BRACKET, HTR          | 61818900 |            |            |            |           |            |            | 1         | 1          | 1          | 1         | 999  |
| 27  | BASE PAN              | 61807101 | 1          |            | 1          |           | 1          | 1          | 1         |            |            |           | 730  |
| 27  | BASE PAN              | 61807104 |            | 1          |            | 1         |            |            |           |            |            |           | 730  |
| 27  | BASE PAN              | 61809501 |            |            |            |           |            |            | 1         |            | 1          | 1         | 730  |
| 27  | BASE PAN              | 61809503 |            |            |            |           |            |            |           | 1          |            |           | 730  |
| *   | BELLOWS, DRAIN VALVE  | 60179900 |            |            |            |           |            |            | 1         | 1          | 1          | 1         | 801  |
| *   | DRAIN PAN, EVAP.      | 61807400 | 1          | 1          | 1          | 1         | 1          | 1          | 1         | 1          | 1          | 1         | 840  |
| *   | GRILLE, REAR          | 61818802 | 1          | 1          | 1          | 1         | 1          | 1          | 1         | 1          | 1          | 1         | 771  |
| 28  | DOOR, SLIDE ASY       | 61821500 | 1          | 1          | 1          | 1         | 1          | 1          | 1         | 1          | 1          | 1         | 810  |
| *   | CONNECTOR SLIDE ASY   | 61814801 | 1          | 1          | 1          | 1         | 1          | 1          | 1         | 1          | 1          | 1         | 811  |
| *   | WIRE CLIP, SLIDE ASSY | 60301800 | 2          | 2          | 2          | 2         | 2          | 2          | 2         | 2          | 2          | 2         | 999  |
| 29  | PANEL, CTRL. MOUNT    | 61806900 | 1          | 1          | 1          | 1         | 1          | 1          | 1         | 1          | 1          | 1         | 999  |
| *   | PANEL, LIS            | 61906800 | 1          | 1          | 1          | 1         |            | 1          | 1         | 1          | 1          | 1         | 999  |
| *   | PANEL, LIS            | 61906802 |            |            |            |           | 1          |            |           |            |            |           | 999  |
| *   | PANEL, LIS            | 61906801 |            |            |            |           | 1          |            |           |            |            |           | 999  |
| 31  | PARTITION, CTRL. BOX  | 61807000 | 1          | 1          | 1          | 1         | 1          | 1          |           |            |            |           | 999  |
| 31  | PARTITION, CTRL. BOX  | 61807001 |            |            |            |           |            |            | 1         | 1          | 1          | 1         | 999  |
| 30  | BRACKET, CAP. MOUNT   | 61820400 | 1          | 1          | 1          | 1         | 1          | 1          | 1         | 1          | 1          | 1         | 999  |
| *   | STRAP, CAP.           | 61820700 | 1          | 1          | 1          | 1         | 1          | 1          | 1         | 1          | 1          | 1         | 999  |
| 32  | DECORATIVE PANEL      | 61822600 | 1          | 1          | 1          | 1         | 1          | 1          |           |            |            |           | 999  |
| 32  | DECORATIVE PANEL      | 61823300 |            |            |            |           |            |            | 1         | 1          | 1          | 1         | 999  |
| 33  | KNOBS, CRTL.          | 61493905 | 2          | 2          | 2          | 2         | 2          | 2          | 2         | 2          | 2          | 2         | 761  |
| *   | BRACKET, RESISTOR BLK | 61820600 | 1          | 1          | 1          | 1         | 1          | 1          | 1         | 1          | 1          | 1         | 999  |
| 23  | MOUNT, FAN MOTOR      | 61806700 | 1          | 1          | 1          | 1         | 1          | 1          | 1         | 1          | 1          | 1         | 900  |
| *   | HARNESS, FAN MOTOR    | 61820800 | 1          | 1          | 1          | 1         | 1          | 1          | 1         | 1          | 1          | 1         | 999  |
| *   | HOLDER, AIR FILTER    | 61823000 | 2          | 2          | 2          | 2         | 2          | 2          | 2         | 2          | 2          | 2         | 756  |
| *   | FILTER, AIR           | 60865810 | 1          | 1          | 1          | 1         | 1          | 1          | 1         | 1          | 1          | 1         | 754  |
| *   | CLAMP, SUPPLY CORD    | 91500301 | 1          | 1          | 1          | 1         | 1          | 1          |           |            |            |           | 999  |

\* PART NOT SHOWN



## LARGE CHASSIS "L" SERIES PARTS LIST

| REF. | DESCRIPTION          | PART NO. | KL 230     |            | SL 230     |           |            |            | EL230     |            |            | YL 230    | CODE |            |
|------|----------------------|----------|------------|------------|------------|-----------|------------|------------|-----------|------------|------------|-----------|------|------------|
|      |                      |          | KL26J30A-1 | KL25J30A-3 | SL24J30A-1 | SL24J30A3 | SL28J30A-1 | SL28J30A-A | SL33J30-2 | EL24J35A-1 | EL24J35A-3 | EL33J35-2 |      | YL24J35A-1 |
| *    | CLAMP, SUPPLY CORD   | 91500302 |            |            |            |           |            |            | 1         | 1          | 1          | 1         | 1    | 999        |
| 34   | GROMMET, COMP.       | 01150934 | 3          | 3          | 3          | 3         | 3          | 3          | 3         | 3          | 3          | 3         | 3    | 790        |
| 35   | SCREW, COMP.         | 91400400 | 3          | 3          | 3          | 3         | 3          | 3          | 3         | 3          | 3          | 3         | 3    | 999        |
| *    | RETAINER, CHASSIS    | 61826400 | 1          | 1          | 1          | 1         | 1          | 1          | 1         | 1          | 1          | 1         | 1    | 999        |
| *    | COUNTER WEIGHT       | 61715800 | 2          | 2          | 2          | 2         | 2          | 2          | 2         | 2          | 2          | 2         | 2    | 999        |
| *    | GROMMET, SUCTION LN. | 61807601 | 1          | 1          | 1          | 1         | 1          | 1          | 1         | 1          | 1          | 1         | 1    | 999        |
| 36   | PLENIUM ASLY.        | 61810500 | 1          | 1          | 1          | 1         | 1          | 1          | 1         | 1          | 1          | 1         | 1    | 753        |
| 37   | GRILLE, INTAKE       | 61810400 | 1          | 1          | 1          | 1         | 1          | 1          | 1         | 1          | 1          | 1         | 1    | 772        |
| *    | LATCH, GRILLE INTAKE | 61819900 | 2          | 2          | 2          | 2         | 2          | 2          | 2         | 2          | 2          | 2         | 2    | 999        |
| 38   | OUTER SHELL          | 61825702 | 1          | 1          | 1          | 1         | 1          | 1          | 1         | 1          | 1          | 1         | 1    | 770        |
| 39   | SILL PLATE           | 61808401 | 1          | 1          | 1          | 1         | 1          | 1          | 1         | 1          | 1          | 1         | 1    | 999        |
| *    | CHASSIS GUIDE, SHELL | 61819601 | 2          | 2          | 2          | 2         | 2          | 2          | 2         | 2          | 2          | 2         | 2    | 999        |
| *    | CHASSIS RETAINER     | 61826400 | 1          | 1          | 1          | 1         | 1          | 1          | 1         | 1          | 1          | 1         | 1    | 999        |
| *    | FRIEDRICH SCRIPT     | 60169105 | 1          | 1          | 1          | 1         | 1          | 1          | 1         | 1          | 1          | 1         | 1    | 999        |
| *    | PUSHNUTS, SCRIPT     | 91002900 | 2          | 2          | 2          | 2         | 2          | 2          | 2         | 2          | 2          | 2         | 2    | 999        |
| *    | ACCESSORY PKGE.      | 61105003 | 1          | 1          | 1          | 1         | 1          | 1          |           |            |            |           |      | 999        |
| 40   | WINGBOARD            | 60294410 | 1          | 1          | 1          | 1         | 1          | 1          | 1         |            |            |           |      | 999        |
| *    | HARDWARE             | 60846016 | 1          | 1          | 1          | 1         | 1          | 1          | 1         |            |            |           |      | 999        |
| *    | HARDWARE (SCREWS)    | 60846017 |            |            |            |           |            |            |           | 1          | 1          | 1         | 1    | 999        |
| 45   | GASKET, CHASSIS      | 61717301 | 1          | 1          | 1          | 1         | 1          | 1          | 1         | 1          | 1          | 1         | 1    | 780        |
| 45   | GASKET, WINDOW       | 60073300 | 1          | 1          | 1          | 1         | 1          | 1          | 1         |            |            |           |      | 780        |
| 44   | GASKET, VINYL        | 60610303 | 1          | 1          | 1          | 1         | 1          | 1          | 1         |            |            |           |      | 780        |
| *    | CARTON, SHIPPING     | 61839806 | 1          | 1          | 1          | 1         | 1          | 1          | 1         | 1          | 1          | 1         | 1    | 999        |
| *    | PAD, SHIPPING TOP    | 61839601 | 1          | 1          | 1          | 1         | 1          | 1          | 1         | 1          | 1          | 1         | 1    | 999        |
| *    | PAD, FRONT SUPPORT   | 61839701 | 1          | 1          | 1          | 1         | 1          | 1          | 1         | 1          | 1          | 1         | 1    | 999        |
| *    | PAD, SHIPPING        | 61839501 | 1          | 1          | 1          | 1         | 1          | 1          | 1         | 1          | 1          | 1         | 1    | 999        |
| *    | SUPPORT, SHIPPING    | 61839901 | 2          | 2          | 2          | 2         | 2          | 2          | 2         | 2          | 2          | 2         | 2    | 999        |
| *    | SPACER, SHIPPING     | 61915100 | 2          | 2          | 2          | 2         | 2          | 2          | 2         | 2          | 2          | 2         | 2    | 999        |
| 41   | BRACKET, SUPPORT     | 61109503 | 2          | 2          | 2          | 2         | 2          | 2          | 2         |            |            |           |      | 999        |
| 43   | ANGLE, TOP SUPPORT   | 61819703 | 1          | 1          | 1          | 1         | 1          | 1          | 1         |            |            |           |      | 999        |
| 42   | ANGLE, WINGBOARDS    | 61819805 | 2          | 2          | 2          | 2         | 2          | 2          | 2         |            |            |           |      | 999        |

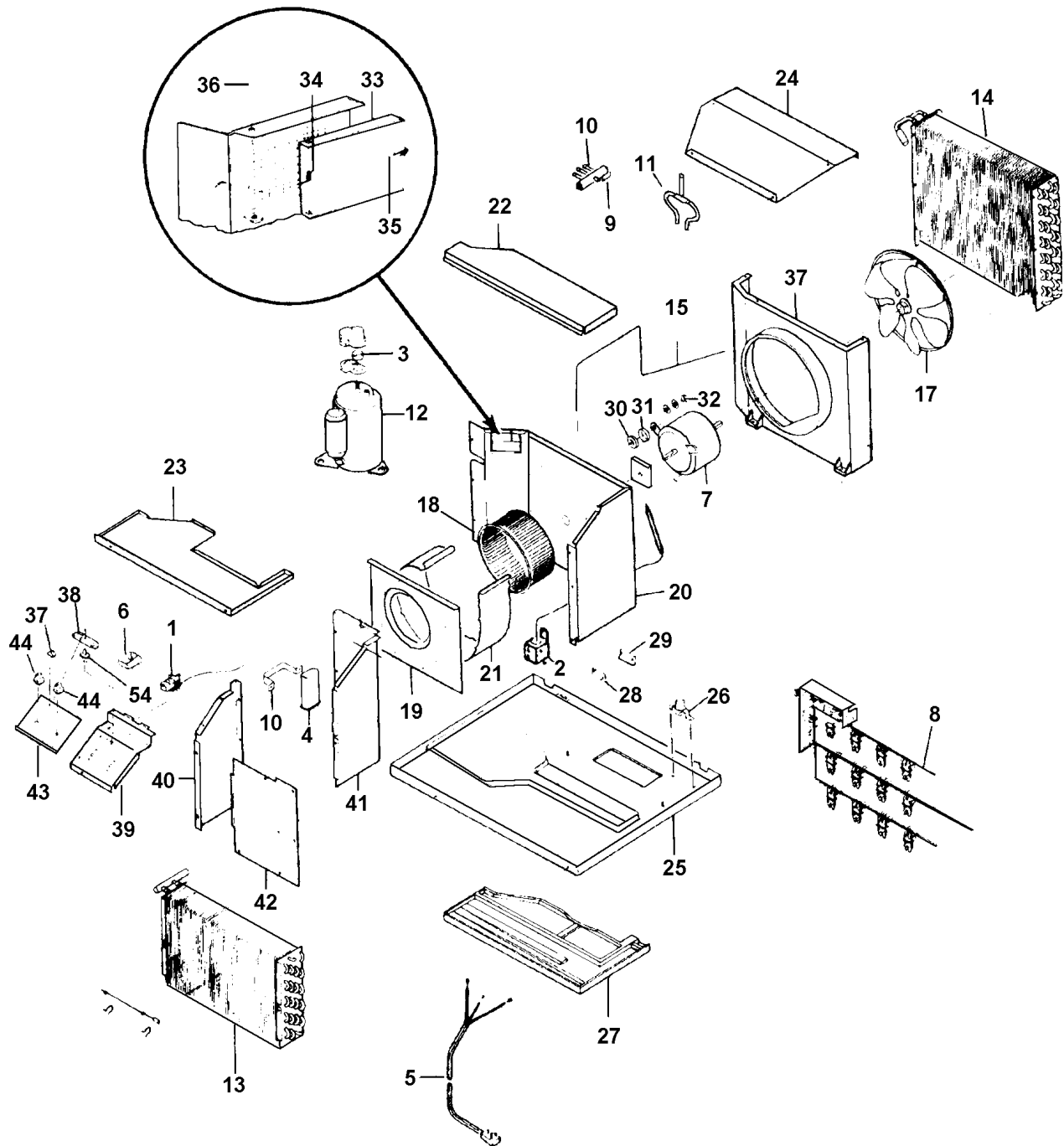
### OPTIONAL ACCESSORIES ITEMS

|   |                   |          |   |   |   |   |   |   |   |   |   |   |   |  |
|---|-------------------|----------|---|---|---|---|---|---|---|---|---|---|---|--|
| * | ACCESSORY PKGE.   | 61105003 |   |   |   |   |   |   |   | 1 | 1 | 1 | 1 |  |
| * | DRAIN KIT, DC-2   | 01900235 | 1 | 1 | 1 | 1 | 1 | 1 | 1 | 1 | 1 | 1 | 1 |  |
| * | START ASSIST KIT  | 61008903 | 1 | 1 | 1 | 1 | 1 | 1 | 1 | 1 | 1 | 1 | 1 |  |
| * | HARD START KIT    | 61840900 |   |   |   |   | 1 | 1 | 1 |   |   | 1 |   |  |
| * | PARTS MANUAL      | 92013200 | 1 | 1 | 1 | 1 | 1 | 1 | 1 | 1 | 1 | 1 | 1 |  |
| * | SERVICE MANUAL    | 92013100 | 1 | 1 | 1 | 1 | 1 | 1 | 1 | 1 | 1 | 1 | 1 |  |
| * | INSTALLATION BOOK | 92003601 | 1 | 1 | 1 | 1 | 1 | 1 | 1 | 1 | 1 | 1 | 1 |  |
| * | OPERATION BOOK    | 92000505 | 1 | 1 |   |   |   |   |   |   |   |   |   |  |
| * | OPERATION BOOK    | 92000202 |   |   | 1 | 1 | 1 | 1 | 1 |   |   |   |   |  |
| * | OPERATION BOOK    | 92000304 |   |   |   |   |   |   |   | 1 | 1 | 1 | 1 |  |

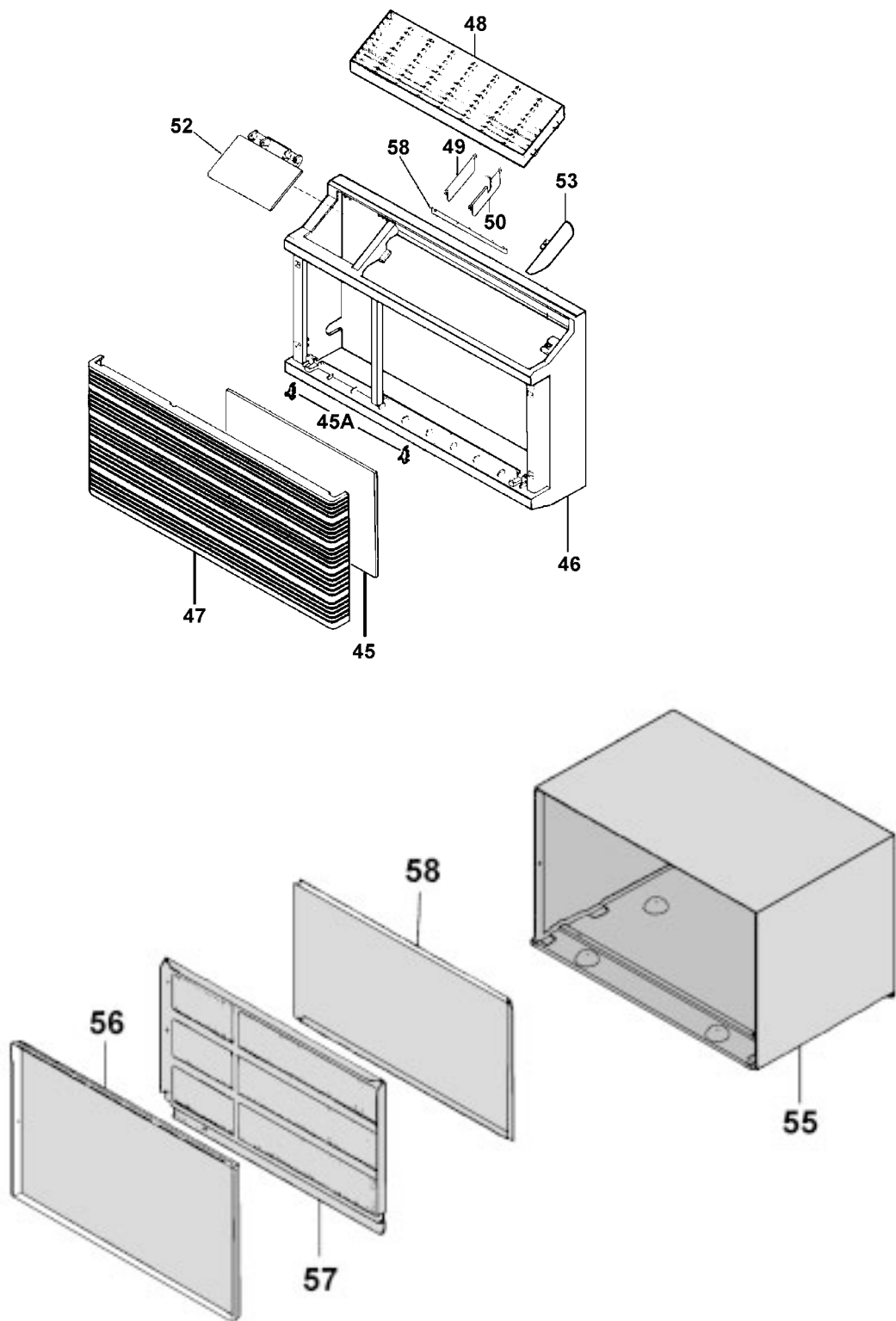
\* PARTS NOT SHOWN

*"WM" Series  
115 / 230 Volt  
WallMaster Chassis  
Room Air Conditioner  
Section*

# "WE," "WS," & "WY" SERIES CHASSIS PARTS



# "WE," "WS," & "WY" SERIES DECORATIVE FRONT



## "WM" SERIES WALLMASTER PARTS LIST

| REF.                       | DESCRIPTION      | PART NO. | 115V     | 115V     | 115V     | 230V     | 230V     | 230V     | 230V     | 230V     | 230V     | 230V     | 230V     | 230V | CODE |
|----------------------------|------------------|----------|----------|----------|----------|----------|----------|----------|----------|----------|----------|----------|----------|------|------|
|                            | ELECTRICAL PARTS |          | WS07A10D | WS09A10D | WS12A10D | WS09A30D | WS12A30D | WS13A30D | WE09A33D | WE12A33D | WE13A33D | WY09A33D | WY12A33E |      |      |
| 1                          | THERMOSTAT       | 61822501 | 1        | 1        | 1        | 1        | 1        | 1        |          |          |          |          |          | 120  |      |
| 1                          | THERMOSTAT       | 61822401 |          |          |          |          |          |          | 1        | 1        | 1        | 1        | 1        | 120  |      |
| 2                          | THERMOSTAT, DEF. | 61350313 |          |          |          |          |          |          |          |          |          | 1        | 1        | 122  |      |
| 3                          | OVERLOAD         | 61764507 | 1        |          |          |          |          |          |          |          |          |          |          | 190  |      |
| 3                          | OVERLOAD         | 60364594 |          | 1        |          |          |          |          |          |          |          |          |          | 190  |      |
|                            | OVERLOAD         | 60364590 |          |          | 1        |          |          |          |          |          |          |          |          | 190  |      |
|                            | OVERLOAD         | 61578001 |          |          |          | 1        |          |          | 1        |          |          | 1        |          | 190  |      |
| 3                          | OVERLOAD         | 60364596 |          |          |          |          | 1        |          |          | 1        |          |          | 1        | 190  |      |
| 3                          | OVERLOAD         | 60364597 |          |          |          |          |          | 1        |          |          | 1        |          |          | 190  |      |
| 4                          | CAPACITOR        | 61080335 | 1        |          |          |          |          |          |          |          |          |          |          | 150  |      |
| 4                          | CAPACITOR        | 61080338 |          | 1        |          |          |          |          |          |          |          |          |          | 150  |      |
| 4                          | CAPACITOR        | 61080538 |          |          | 1        |          |          |          |          |          |          |          |          | 150  |      |
| 4                          | CAPACITOR        | 61080340 |          |          |          | 1        |          |          | 1        |          |          | 1        |          | 150  |      |
| 4                          | CAPACITOR        | 61080339 |          |          |          |          | 1        | 1        |          | 1        | 1        |          | 1        | 150  |      |
| 5                          | SUPPLY CORD      | 60500060 | 1        | 1        |          |          |          |          |          |          |          |          |          | 220  |      |
| 5                          | SUPPLY CORD      | 60500061 |          |          | 1        |          |          |          |          |          |          |          |          | 220  |      |
| 5                          | SUPPLY CORD      | 60500062 |          |          |          | 1        | 1        | 1        |          |          |          |          |          | 220  |      |
| 5                          | SUPPLY CORD      | 60500063 |          |          |          |          |          |          | 1        | 1        | 1        | 1        | 1        | 220  |      |
| 6                          | SWITCH           | 60607203 | 1        | 1        | 1        | 1        | 1        | 1        |          |          |          |          |          | 130  |      |
| 6                          | SWITCH           | 60607204 |          |          |          |          |          |          | 1        | 1        | 1        | 1        | 1        | 130  |      |
| 7                          | FAN MOTOR        | 61071453 | 1        | 1        |          |          |          |          |          |          |          |          |          | 110  |      |
| 7                          | FAN MOTOR        | 61071452 |          |          | 1        |          |          |          |          |          |          |          |          | 110  |      |
| 7                          | FAN MOTOR        | 61071454 |          |          |          | 1        |          |          | 1        |          |          | 1        |          | 110  |      |
| 7                          | FAN MOTOR        | 61071451 |          |          |          |          | 1        | 1        |          | 1        | 1        |          | 1        | 110  |      |
| 8                          | HEATER           | 61580802 |          |          |          |          |          |          | 1        | 1        | 1        | 1        | 1        | 210  |      |
| 9                          | COIL, SOLENOID   | 21058643 |          |          |          |          |          |          |          |          |          | 1        | 1        | 240  |      |
| <b>REFRIGERATION PARTS</b> |                  |          |          |          |          |          |          |          |          |          |          |          |          |      |      |
| 10                         | REVERSING VALVE  | 25018300 |          |          |          |          |          |          |          |          |          | 1        | 1        | 500  |      |
| 11                         | CHECK VALVE      | 61824400 |          |          |          |          |          |          |          |          |          | 1        | 1        | 510  |      |
| *                          | FILTER DRIER     | 60308101 | 1        | 1        | 1        | 1        | 1        | 1        | 1        | 1        | 1        |          |          | 480  |      |
| *                          | SUCTION DRIER    | 61828200 |          |          |          |          |          |          |          |          |          | 1        | 1        | 480  |      |
| 12                         | COMPRESSOR       | 61562805 |          |          |          |          |          | 1        |          |          | 1        |          |          | 600  |      |
| 12                         | COMPRESSOR       | 61562804 |          |          |          |          | 1        |          |          | 1        |          |          | 1        | 600  |      |
| 12                         | COMPRESSOR       | 61562829 | 1        |          |          |          |          |          |          |          |          |          |          | 600  |      |
| 12                         | COMPRESSOR       | 61562802 |          | 1        |          |          |          |          |          |          |          |          |          | 600  |      |
| 12                         | COMPRESSOR       | 61562800 |          |          | 1        |          |          |          |          |          |          |          |          | 600  |      |
| 12                         | COMPRESSOR       | 61562803 |          |          |          | 1        |          |          | 1        |          |          | 1        |          | 600  |      |
| 13                         | EVAPORATOR COIL  | 61600221 | 1        |          |          |          |          |          |          |          |          |          |          | 400  |      |
| 13                         | EVAPORATOR COIL  | 61600218 |          | 1        |          | 1        |          |          | 1        |          |          | 1        |          | 400  |      |
| 13                         | EVAPORATOR COIL  | 61600219 |          |          | 1        |          | 1        |          |          | 1        |          |          | 1        | 400  |      |
| 13                         | EVAPORATOR COIL  | 61600246 |          |          |          |          |          | 1        |          | 1        |          |          |          | 400  |      |
| 14                         | CONDENSER COIL   | 61850309 | 1        |          |          |          |          |          |          |          |          |          |          | 410  |      |
| 14                         | CONDENSER COIL   | 61850308 |          | 1        |          | 1        |          |          | 1        |          |          |          |          | 410  |      |
| 14                         | CONDENSER COIL   | 61850210 |          |          | 1        |          | 1        | 1        |          | 1        | 1        |          |          | 410  |      |

\* PARTS NOT SHOWN

## "WM" SERIES WALLMASTER PARTS LIST

| REF.                 | DESCRIPTION           | PART NO. | 115V     | 115V     | 115V     | 230V     | 230V     | 230V     | 230V     | 230V     | 230V     | 230V     | 230V     | 230V | CODE |
|----------------------|-----------------------|----------|----------|----------|----------|----------|----------|----------|----------|----------|----------|----------|----------|------|------|
|                      | REFRIGERATION PARTS   |          | WS07A10D | WS09A10D | WS12A10D | WS09A30D | WS12A30D | WS13A30D | WE09A33D | WE12A33D | WE13A33D | WY09A33D | WY12A33E |      |      |
| 14                   | CONDENSER COIL        | 61600512 |          |          |          |          |          |          |          |          |          | 1        |          | 410  |      |
| 14                   | CONDENSER COIL        | 61600513 |          |          |          |          |          |          |          |          |          |          | 1        | 410  |      |
| 15                   | CAPILLARY TUBE        | 03760513 | 1        |          |          |          |          |          |          |          |          |          |          | 471  |      |
| 15                   | CAPILLARY TUBE        | 03760547 |          | 1        |          |          | 1        |          | 1        |          |          |          |          | 471  |      |
| 15                   | CAPILLARY TUBE        | 03760520 |          |          | 1        |          | 1        |          |          | 1        |          |          |          | 471  |      |
| 15                   | CAPILLARY TUBE        | 03760550 |          |          |          |          |          | 2        |          |          | 2        |          |          | 471  |      |
| 15                   | CAPILLARY TUBE (HTG)  | 03760543 |          |          |          |          |          |          |          |          |          | 1        |          | 471  |      |
| 15                   | CAPILLARY TUBE (CLG)  | 03760557 |          |          |          |          |          |          |          |          |          | 1        |          | 471  |      |
| 15                   | CAPILLARY TUBE (HTG)  | 03760482 |          |          |          |          |          |          |          |          |          |          | 1        | 471  |      |
| 15                   | CAPILLARY TUBE (CLG)  | 03760558 |          |          |          |          |          |          |          |          |          |          | 1        | 471  |      |
| <b>CHASSIS PARTS</b> |                       |          |          |          |          |          |          |          |          |          |          |          |          |      |      |
| 16                   | SHROUD, CONDENSER     | 61602700 | 1        | 1        | 1        | 1        | 1        | 1        | 1        | 1        | 1        | 1        | 1        | 720  |      |
| 17                   | FAN BLADE, COND.      | 60542002 | 1        | 1        | 1        | 1        | 1        | 1        | 1        | 1        | 1        | 1        | 1        | 710  |      |
| 18                   | BLOWER WHEEL, EVAP.   | 60610604 | 1        |          |          |          |          |          |          |          |          |          |          | 700  |      |
| 18                   | BLOWER WHEEL, EVAP.   | 60415205 |          | 1        |          | 1        | 1        |          |          |          |          |          |          | 700  |      |
| 18                   | BLOWER WHEEL, EVAP.   | 60610604 |          |          | 1        |          |          |          |          |          |          |          |          | 700  |      |
| 18                   | BLOWER WHEEL, EVAP.   | 60415204 |          |          |          |          |          | 1        |          |          | 1        |          |          | 700  |      |
| 18                   | BLOWER WHEEL, EVAP.   | 60415203 |          |          |          |          |          |          | 1        | 1        |          | 1        | 1        | 700  |      |
| 19                   | BLOWER FRONT          | 61657100 | 1        |          | 1        |          |          |          |          |          |          |          |          | 742  |      |
| 19                   | BLOWER FRONT          | 61603700 |          | 1        |          | 1        | 1        | 1        |          |          |          |          |          | 742  |      |
| 19                   | BLOWER FRONT          | 61612400 |          |          |          |          |          |          | 1        | 1        | 1        | 1        | 1        | 742  |      |
| 20                   | INNER WALL            | 61605100 | 1        | 1        | 1        | 1        | 1        | 1        |          |          |          |          |          | 777  |      |
| 20                   | INNER WALL            | 61605101 |          |          |          |          |          |          | 1        | 1        | 1        | 1        | 1        | 777  |      |
| 21                   | BLOWER WRAPPER        | 61022507 | 1        | 1        | 1        | 1        | 1        | 1        | 1        | 1        | 1        | 1        | 1        | 741  |      |
| 22                   | COVER, BULKHEAD       | 61605800 | 1        | 1        | 1        | 1        | 1        | 1        | 1        | 1        | 1        | 1        | 1        | 746  |      |
| 23                   | DECK ASSLY            | 61605600 | 1        | 1        | 1        | 1        | 1        | 1        | 1        | 1        | 1        | 1        | 1        | 745  |      |
| 24                   | COVER, SHROUD & BRACE | 61604400 | 1        | 1        | 1        | 1        | 1        | 1        | 1        | 1        | 1        | 1        | 1        | 999  |      |
| 25                   | BASE PAN ASLY.        | 61606201 | 1        |          |          |          |          |          |          |          |          |          |          | 730  |      |
| 25                   | BASE PAN ASLY.        | 61606203 |          | 1        | 1        | 1        | 1        | 1        |          |          |          |          |          | 730  |      |
| 25                   | BASE PAN ASLY.        | 61606205 |          |          |          |          |          |          | 1        | 1        | 1        | 1        | 1        | 730  |      |
| 26                   | BELLOWS, DRAIN VALVE  | 60179900 |          |          |          |          |          | 1        | 1        | 1        | 1        | 1        | 1        | 801  |      |
| 27                   | DRAIN PAN, EVAP.      | 61602600 | 1        | 1        | 1        | 1        | 1        | 1        | 1        | 1        | 1        | 1        | 1        | 840  |      |
| 28                   | DRAIN GASKET          | 61603900 | 1        | 1        | 1        | 1        | 1        | 1        | 1        | 1        | 1        | 1        | 1        | 800  |      |
| 29                   | DRAIN PLATE           | 61604000 | 1        | 1        | 1        | 1        | 1        | 1        | 1        | 1        | 1        | 1        | 1        | 800  |      |
| 30                   | RETAINER CUP, FAN MTR | 60640600 | 3        | 3        | 3        | 3        | 3        | 3        | 3        | 3        | 3        | 3        | 3        | 771  |      |
| 31                   | GROMMET, FAN MTR      | 60640500 | 3        | 3        | 3        | 3        | 3        | 3        | 3        | 3        | 3        | 3        | 3        | 790  |      |
| 32                   | NUT, FAN MTR          | 91003000 | 3        | 3        | 3        | 3        | 3        | 3        | 3        | 3        | 3        | 3        | 3        | 999  |      |
| 33                   | DOOR, EXHAUST ASLY    | 61358301 | 1        | 1        | 1        | 1        | 1        | 1        | 1        | 1        | 1        | 1        | 1        | 810  |      |
| 34                   | DOOR, SPRING          | 61613600 | 1        | 1        | 1        | 1        | 1        | 1        | 1        | 1        | 1        | 1        | 1        | 810  |      |
| 35                   | LINK, EXHAUST DOOR    | 61358401 | 1        | 1        | 1        | 1        | 1        | 1        | 1        | 1        | 1        | 1        | 1        | 810  |      |
| 36                   | HINGE PIN             | 61610400 | 1        | 1        | 1        | 1        | 1        | 1        | 1        | 1        | 1        | 1        | 1        | 810  |      |

\* PART NOT SHOWN

## "WM" SERIES WALLMASTER PARTS LIST

| REF.                              | DESCRIPTION           | PART NO. | 115V     | 115V     | 115V     | 230V     | 230V     | 230V     | 230V     | 230V     | 230V     | 230V     | 230V     | CODE |
|-----------------------------------|-----------------------|----------|----------|----------|----------|----------|----------|----------|----------|----------|----------|----------|----------|------|
|                                   | CHASSIS PARTS         |          | WS07A10D | WS09A10D | WS12A10D | WS09A30D | WS12A30D | WS13A30D | WE09A33D | WE12A33D | WE13A33D | WY09A33D | WY12A33E |      |
| 37                                | SLIDE, EXHAUST DOOR   | 61656201 | 1        | 1        | 1        | 1        | 1        | 1        | 1        | 1        | 1        | 1        | 1        | 810  |
| 38                                | CHANNEL, EXHAUST DOOR | 61656200 | 1        | 1        | 1        | 1        | 1        | 1        | 1        | 1        | 1        | 1        | 1        | 810  |
| 39                                | PANEL, CTRL. MOUNT    | 61757800 | 1        | 1        | 1        | 1        | 1        | 1        | 1        | 1        | 1        | 1        | 1        | 999  |
| 40                                | PANEL, L/S            | 61604600 | 1        | 1        | 1        | 1        | 1        | 1        | 1        | 1        | 1        | 1        | 1        | 999  |
| 41                                | PANEL, CTRL. BOX      | 61605404 | 1        | 1        | 1        | 1        | 1        | 1        | 1        | 1        | 1        | 1        | 1        | 999  |
| 42                                | FRONT PANEL           | 61610100 | 1        | 1        | 1        | 1        | 1        | 1        | 1        | 1        | 1        | 1        | 1        | 760  |
| 43                                | DECORATIVE PANEL      | 61750101 | 1        | 1        | 1        | 1        | 1        | 1        |          |          |          |          |          | 760  |
| 43                                | DECORATIVE PANEL      | 61750201 |          |          |          |          |          |          | 1        | 1        | 1        | 1        | 1        | 760  |
| 44                                | KNOBS, CRTL.          | 61493902 | 2        | 2        | 2        | 2        | 2        | 2        | 2        | 2        | 2        | 2        | 2        | 761  |
| *                                 | HOLDER, AIR FILTER    | 60865900 | 1        | 1        | 1        | 1        | 1        | 1        | 1        | 1        | 1        | 1        | 1        | 764  |
| 45                                | HOLDER, THERMOSTAT    | 61715100 | 1        | 1        | 1        | 1        | 1        | 1        | 1        | 1        | 1        | 1        | 1        | 764  |
| 45                                | FILTER, AIR           | 60865805 | 1        | 1        | 1        | 1        | 1        | 1        | 1        | 1        | 1        | 1        | 1        | 754  |
| *                                 | FRONT, DECORATIVE     | 61607001 | 1        | 1        | 1        | 1        | 1        | 1        | 1        | 1        | 1        | 1        | 1        | 750  |
| 46                                | FRAME, HOOD           | 61612601 | 1        | 1        | 1        | 1        | 1        | 1        | 1        | 1        | 1        | 1        | 1        | 750  |
| 47                                | GRILLE, INTAKE        | 61612703 | 1        | 1        | 1        | 1        | 1        | 1        |          |          |          |          |          | 750  |
| 47                                | GRILLE, INTAKE        | 61612702 |          |          |          |          |          |          | 1        | 1        | 1        | 1        | 1        | 750  |
| 48                                | GRILLE, EXHAUST       | 61612800 | 1        | 1        | 1        | 1        | 1        | 1        | 1        | 1        | 1        | 1        | 1        | 750  |
| 49                                | LOUVER                | 61612900 | 12       | 12       | 12       | 12       | 12       | 12       | 12       | 12       | 12       | 12       | 12       | 750  |
| 50                                | LOUVER, W/HANDLE      | 61912901 | 2        | 2        | 2        | 2        | 2        | 2        | 2        | 2        | 2        | 2        | 2        | 750  |
| 51                                | BAR, CONNECTOR        | 61613000 | 2        | 2        | 2        | 2        | 2        | 2        | 2        | 2        | 2        | 2        | 2        | 750  |
| 52                                | DOOR, CTRL.           | 61613100 | 1        | 1        | 1        | 1        | 1        | 1        | 1        | 1        | 1        | 1        | 1        | 750  |
| 53                                | END CAP, GRILLE       | 61613200 | 1        | 1        | 1        | 1        | 1        | 1        | 1        | 1        | 1        | 1        | 1        | 750  |
| 54                                | BUTTON, SLIDE EXHAUST | 61638900 | 1        | 1        | 1        | 1        | 1        | 1        | 1        | 1        | 1        | 1        | 1        | 999  |
| *                                 | HARDWARE, SCREWS      | 60846014 | 1        | 1        | 1        | 1        | 1        | 1        | 1        | 1        | 1        | 1        | 1        | 999  |
| *                                 | GASKET, CHASSIS       | 61717301 | 1        | 1        | 1        | 1        | 1        | 1        | 1        | 1        | 1        | 1        | 1        | 780  |
| *                                 | CARTON, SHIPPING      | 61608401 | 1        | 1        | 1        | 1        | 1        | 1        | 1        | 1        | 1        | 1        | 1        | 999  |
| *                                 | CARTON, WALL SLEEVE   | 61630606 | 1        | 1        | 1        | 1        | 1        | 1        | 1        | 1        | 1        | 1        | 1        | 999  |
| *                                 | PAD, SHIPPING         | 61624604 | 1        | 1        | 1        | 1        | 1        | 1        | 1        | 1        | 1        | 1        | 1        | 999  |
| *                                 | INSERT, SHIPPING      | 61624901 | 1        | 1        | 1        | 1        | 1        | 1        | 1        | 1        | 1        | 1        | 1        | 999  |
| *                                 | SUPPORT, SHIPPING     | 61624701 | 1        | 1        | 1        | 1        | 1        | 1        | 1        | 1        | 1        | 1        | 1        | 999  |
| <b>OPTIONAL ACCESSORIES ITEMS</b> |                       |          |          |          |          |          |          |          |          |          |          |          |          |      |
| *                                 | START KIT             | 61008903 | 1        | 1        | 1        | 1        | 1        | 1        | 1        | 1        | 1        | 1        | 1        | 160  |
| *                                 | PARTS MANUAL          | 92013200 | 1        | 1        | 1        | 1        | 1        | 1        | 1        | 1        | 1        | 1        | 1        | 999  |
| *                                 | SERVICE MANUAL        | 92013100 | 1        | 1        | 1        | 1        | 1        | 1        | 1        | 1        | 1        | 1        | 1        | 999  |
| 55                                | SLEEVE (ONLY)         | 61603601 | 1        | 1        | 1        | 1        | 1        | 1        | 1        | 1        | 1        | 1        | 1        | 770  |
| 56                                | INNER WEATHER PANEL   | 61603200 | 1        | 1        | 1        | 1        | 1        | 1        | 1        | 1        | 1        | 1        | 1        | 999  |
| 57                                | LOUVERED GRILLE       | 61603001 | 1        | 1        | 1        | 1        | 1        | 1        | 1        | 1        | 1        | 1        | 1        | 771  |
| 58                                | OUTER WEATHER PANEL   | 61603301 | 1        | 1        | 1        | 1        | 1        | 1        | 1        | 1        | 1        | 1        | 1        | 999  |
| *                                 | FRIEDRICH SCRIPT      | 60405804 | 1        | 1        | 1        | 1        | 1        | 1        | 1        | 1        | 1        | 1        | 1        | 999  |

\* PART NOT SHOWN

# Use Factory Certified Parts . . .



**FRIEDRICH AIR CONDITIONING CO. INC.**

- Post Office Box 1540 • San Antonio, Texas 78295-1540
- 4200 N. Pan Am Expressway • San Antonio, Texas 78218-5212
- (210) 357-4400 • FAX (210) 357-4480

Visit us on the Internet at [www.friedrich.com](http://www.friedrich.com)

Printed in the U.S.A.